

US00D875338S

(12) **United States Design Patent**  
**Gale et al.**

(10) **Patent No.:** **US D875,338 S**

(45) **Date of Patent:** **\*\* Feb. 11, 2020**

(54) **PART OF A VACUUM CLEANER**

(71) Applicant: **Dyson Technology Limited**, Wiltshire (GB)

(72) Inventors: **Charles Franklin Gale**, Bristol (GB);  
**Alexander David Peet**, Cardiff (GB);  
**Donald James McIntosh**, Gloucester (GB);  
**Alexander Stuart Know**, Swindon (GB)

(73) Assignee: **Dyson Technology Limited**, Malmesbury, Wiltshire (GB)

(\*\*) Term: **15 Years**

(21) Appl. No.: **29/627,234**

(22) Filed: **Nov. 24, 2017**

(30) **Foreign Application Priority Data**

May 26, 2017 (EM) ..... 004019776-0007

(51) **LOC (12) Cl.** ..... **15-05**

(52) **U.S. Cl.**  
USPC ..... **D32/32**

(58) **Field of Classification Search**  
USPC ..... D32/31-34, 22; 15/415.1  
CPC ..... A47L 9/02; A47L 9/04; A47L 9/06; A47L  
9/0461; A47L 9/325; A47L 5/362; A47L  
5/365; A47L 5/30; A47L 5/36; A47L  
5/28; A47L 5/32; A47L 11/4044; A47L  
11/302

See application file for complete search history.

(56) **References Cited**

**U.S. PATENT DOCUMENTS**

D507,854 S \* 7/2005 Kim ..... D32/32  
D741,559 S \* 10/2015 Marsden ..... D32/32

D789,007 S \* 6/2017 Jang ..... D32/32  
D807,603 S \* 1/2018 Roschi ..... D32/32  
D824,125 S \* 7/2018 Kim ..... D32/32  
D831,919 S \* 10/2018 Nam ..... D32/32  
D836,273 S \* 12/2018 Nam ..... D32/32  
D836,868 S \* 12/2018 Nam ..... D32/32  
D839,517 S \* 1/2019 Nam ..... D32/32  
D839,518 S \* 1/2019 Nam ..... D32/32  
D839,520 S \* 1/2019 Hribar-Green ..... D32/33  
D850,741 S \* 6/2019 Hooley ..... D32/32  
D853,063 S \* 7/2019 Johnson ..... D32/33

\* cited by examiner

*Primary Examiner* — Ruth McInroy

(74) *Attorney, Agent, or Firm* — Morrison & Foerster LLP

(57) **CLAIM**

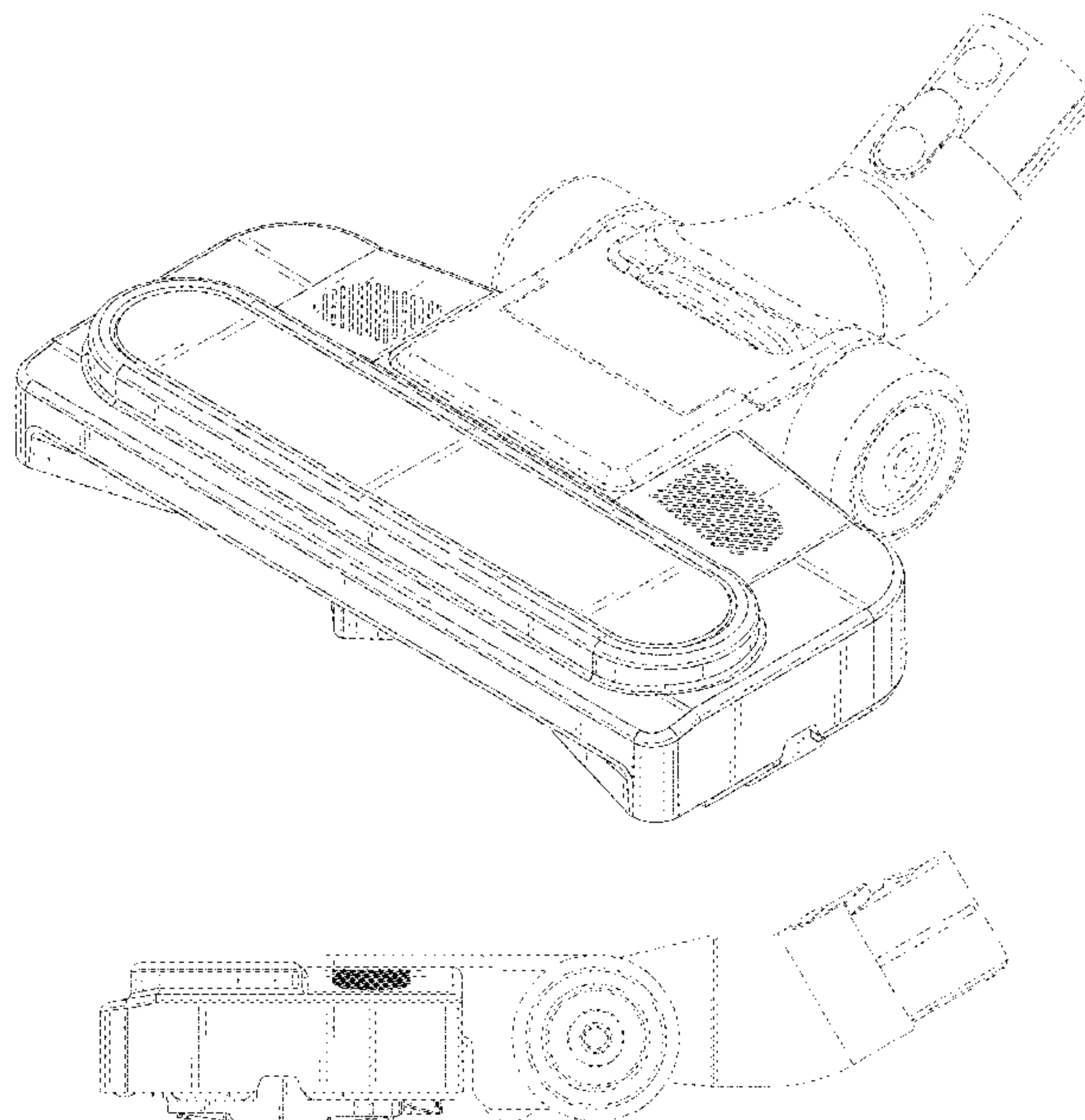
We claim the ornamental design for part of a vacuum cleaner, as shown and described.

**DESCRIPTION**

FIG. 1 is a perspective view of part of a vacuum cleaner showing our new design;  
FIG. 2 is a side view thereof;  
FIG. 3 is side view of the opposite side of FIG. 2;  
FIG. 4 is a front view thereof;  
FIG. 5 is a rear view thereof;  
FIG. 6 is a top view thereof; and,  
FIG. 7 is a bottom view thereof.

The broken lines shown in the drawings illustrate portions of part of a vacuum cleaner that form no part of the claimed design.

**1 Claim, 7 Drawing Sheets**



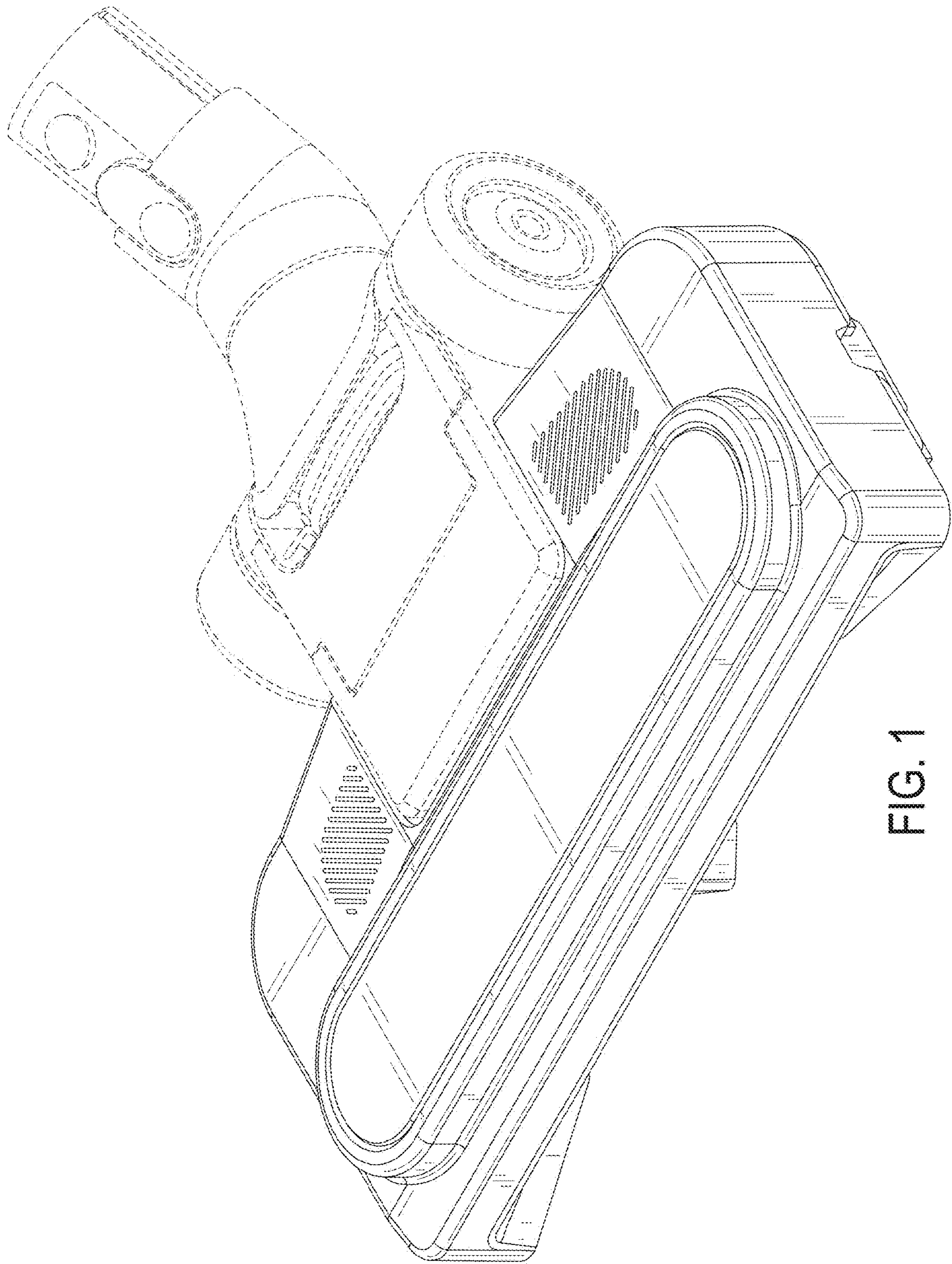


FIG. 1

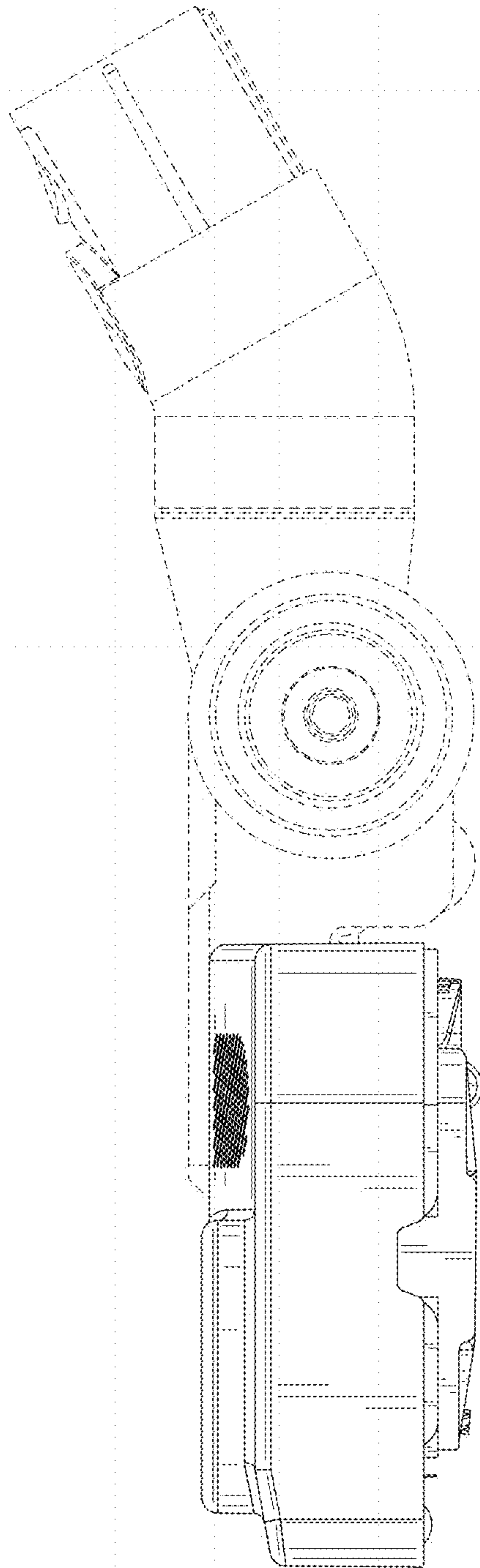


FIG. 2



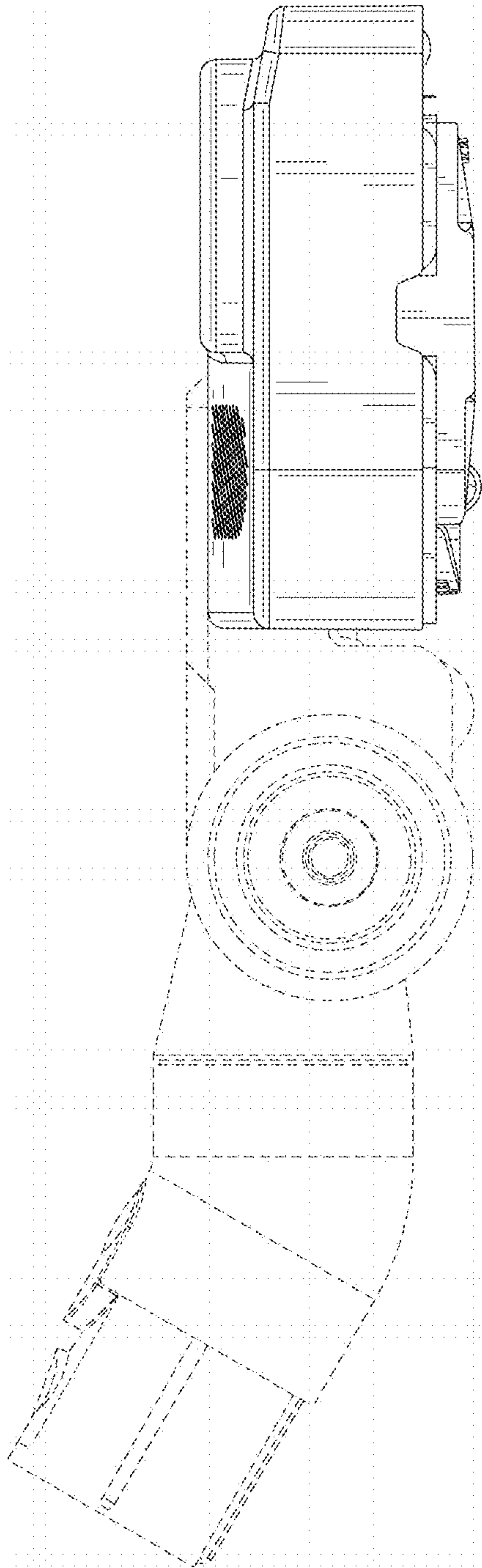


FIG. 3

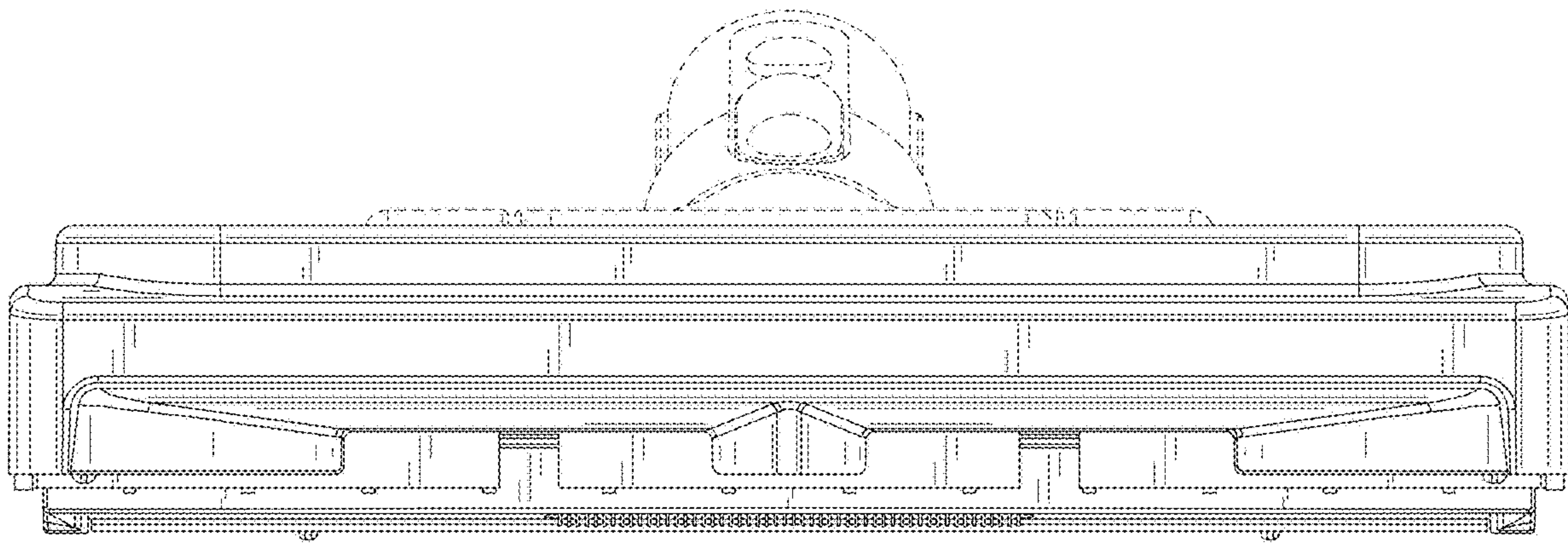


FIG. 4

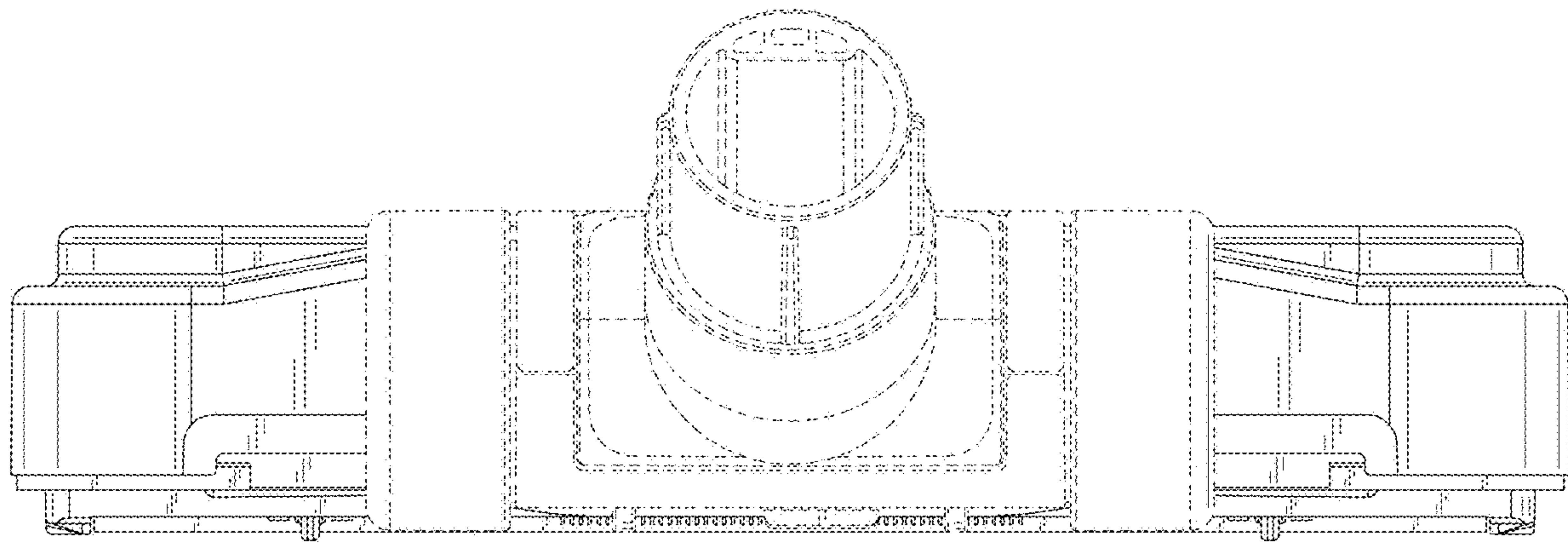


FIG. 5

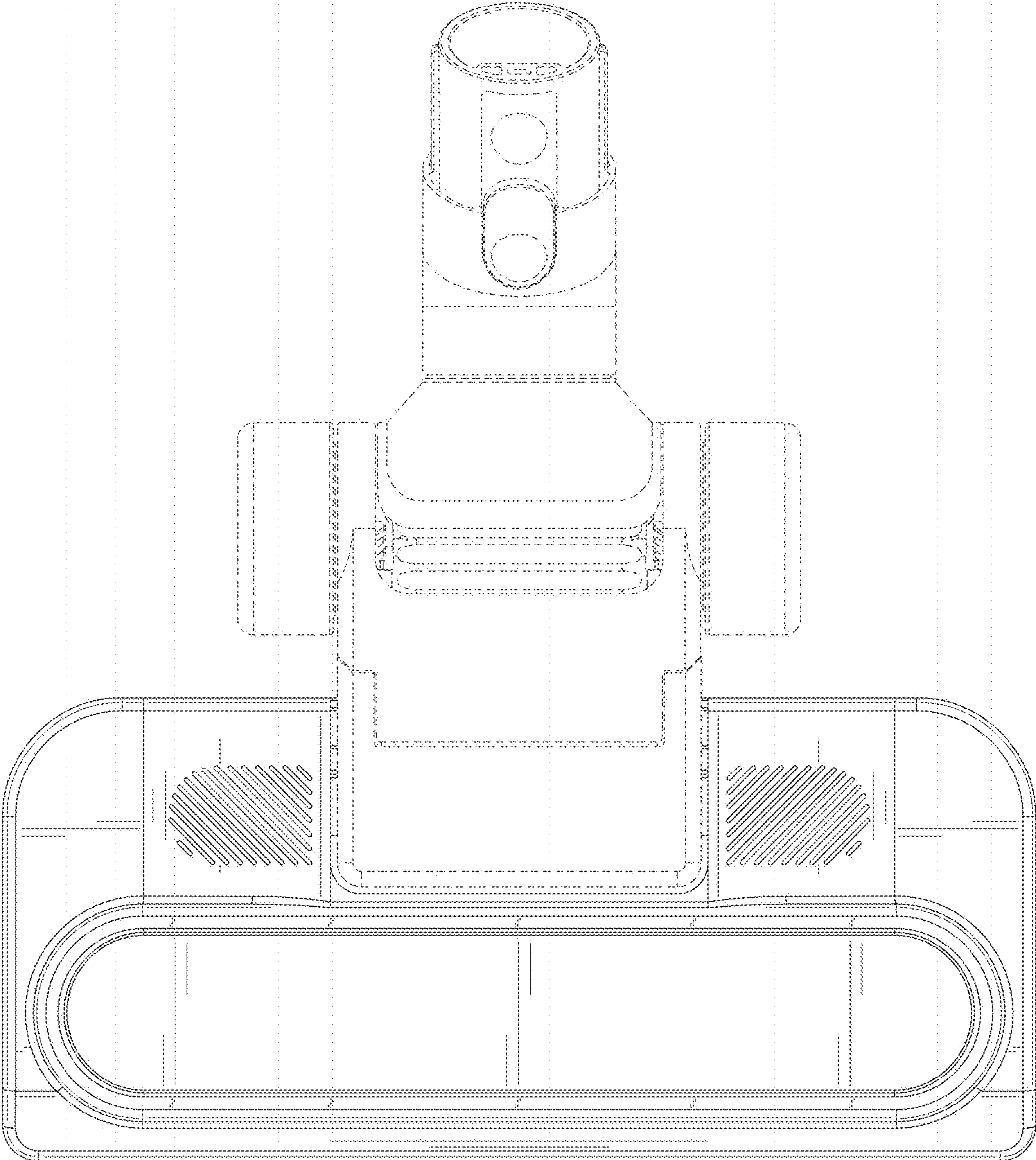


FIG. 6



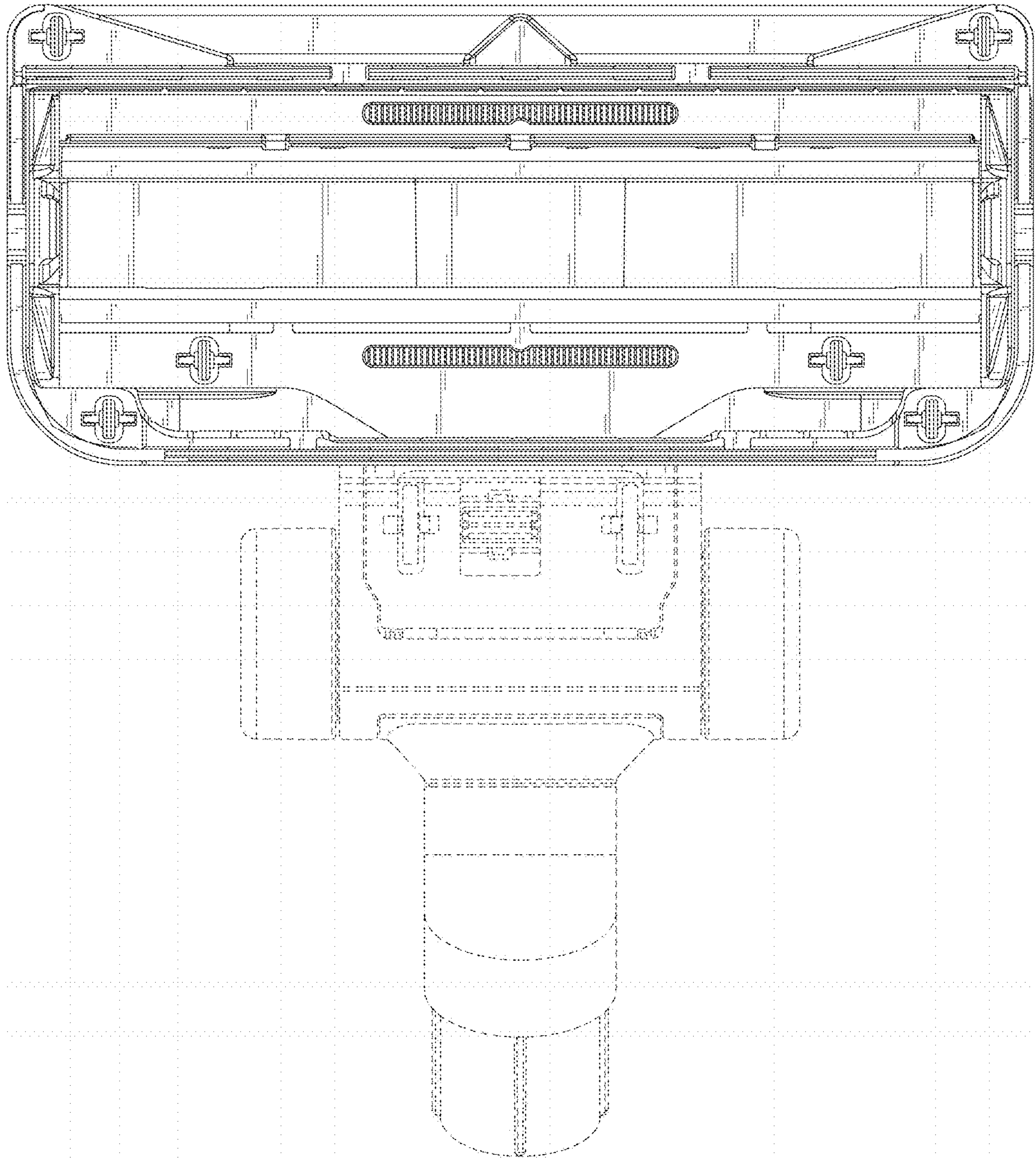


FIG. 7