



US00D875337S

(12) **United States Design Patent** (10) **Patent No.:** **US D875,337 S**
Knox (45) **Date of Patent:** **** Feb. 11, 2020**

(54) **VACUUM CLEANER**
(71) Applicant: **Dyson Technology Limited**, Wiltshire (GB)
(72) Inventor: **Alexander Stuart Knox**, Swindon (GB)
(73) Assignee: **Dyson Technology Limited**, Malmesbury, Wiltshire (GB)
(**) Term: **15 Years**
(21) Appl. No.: **29/626,593**
(22) Filed: **Nov. 17, 2017**

(30) **Foreign Application Priority Data**

May 18, 2017 (EM) 004007847-0003

(51) **LOC (12) Cl.** **15-05**

(52) **U.S. Cl.**
USPC **D32/32**

(58) **Field of Classification Search**
USPC D32/31-34, 22; 15/415.1
CPC A47L 9/02; A47L 9/04; A47L 9/06; A47L 9/0461; A47L 9/325; A47L 5/362; A47L 5/365; A47L 5/30; A47L 5/36; A47L 5/28; A47L 5/32; A47L 11/4044; A47L 11/302

See application file for complete search history.

(56) **References Cited**

U.S. PATENT DOCUMENTS

D621,108 S * 8/2010 Santiago D32/32
D678,635 S * 3/2013 Gammack D32/32
D686,379 S * 7/2013 Kim D32/32

D712,104 S * 8/2014 Stickney D32/32
D712,105 S * 8/2014 Stickney D32/33
9,204,770 B2 * 12/2015 Worker A47L 9/02
D751,780 S * 3/2016 Courtney D32/33
D752,301 S * 3/2016 Courtney D32/32
D752,302 S * 3/2016 Courtney D32/32
D782,761 S * 3/2017 Yoon D32/32
D823,566 S * 7/2018 Kim D32/33
D836,273 S * 12/2018 Nam D32/32
D836,274 S * 12/2018 Nam D32/32
D836,868 S * 12/2018 Nam D32/32
D839,517 S * 1/2019 Nam D32/32
D839,518 S * 1/2019 Nam D32/32
D839,519 S * 1/2019 Nam D32/33
D839,520 S * 1/2019 Hribar-Green D32/33
D839,521 S * 1/2019 Hribar-Green D32/33

* cited by examiner

Primary Examiner — Ruth McInroy

(74) *Attorney, Agent, or Firm* — Morrison & Foerster LLP

(57) **CLAIM**

I claim the ornamental design for a vacuum cleaner, as shown and described.

DESCRIPTION

FIG. 1 is a perspective view of a vacuum cleaner showing our new design;

FIG. 2 is a front view thereof;

FIG. 3 is a rear view thereof;

FIG. 4 is a side view thereof;

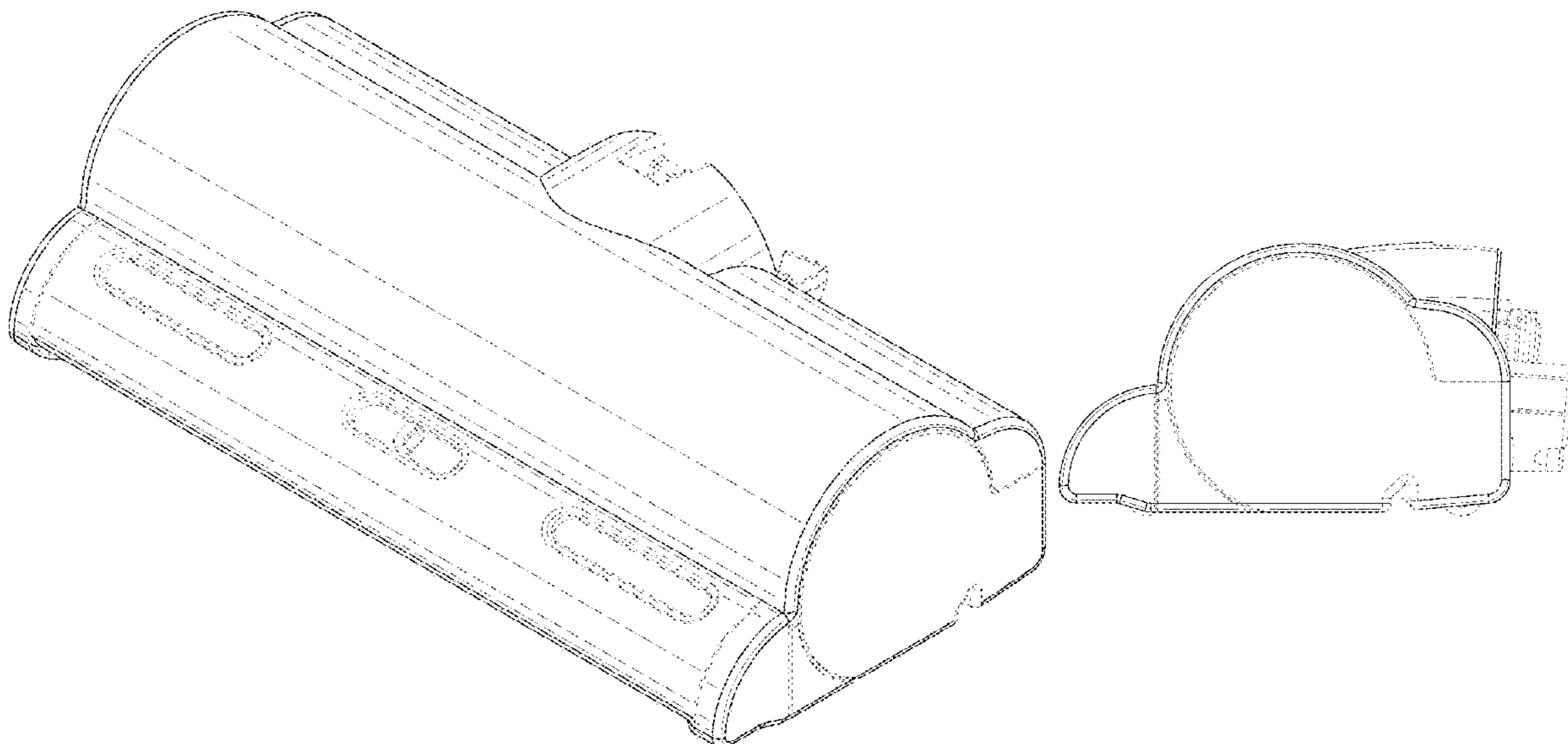
FIG. 5 is a side view of the opposite side of FIG. 4;

FIG. 6 is a top view thereof; and,

FIG. 7 is a bottom view thereof.

The broken lines shown in the drawings illustrate portions of a vacuum cleaner that form no part of the claimed design.

1 Claim, 7 Drawing Sheets



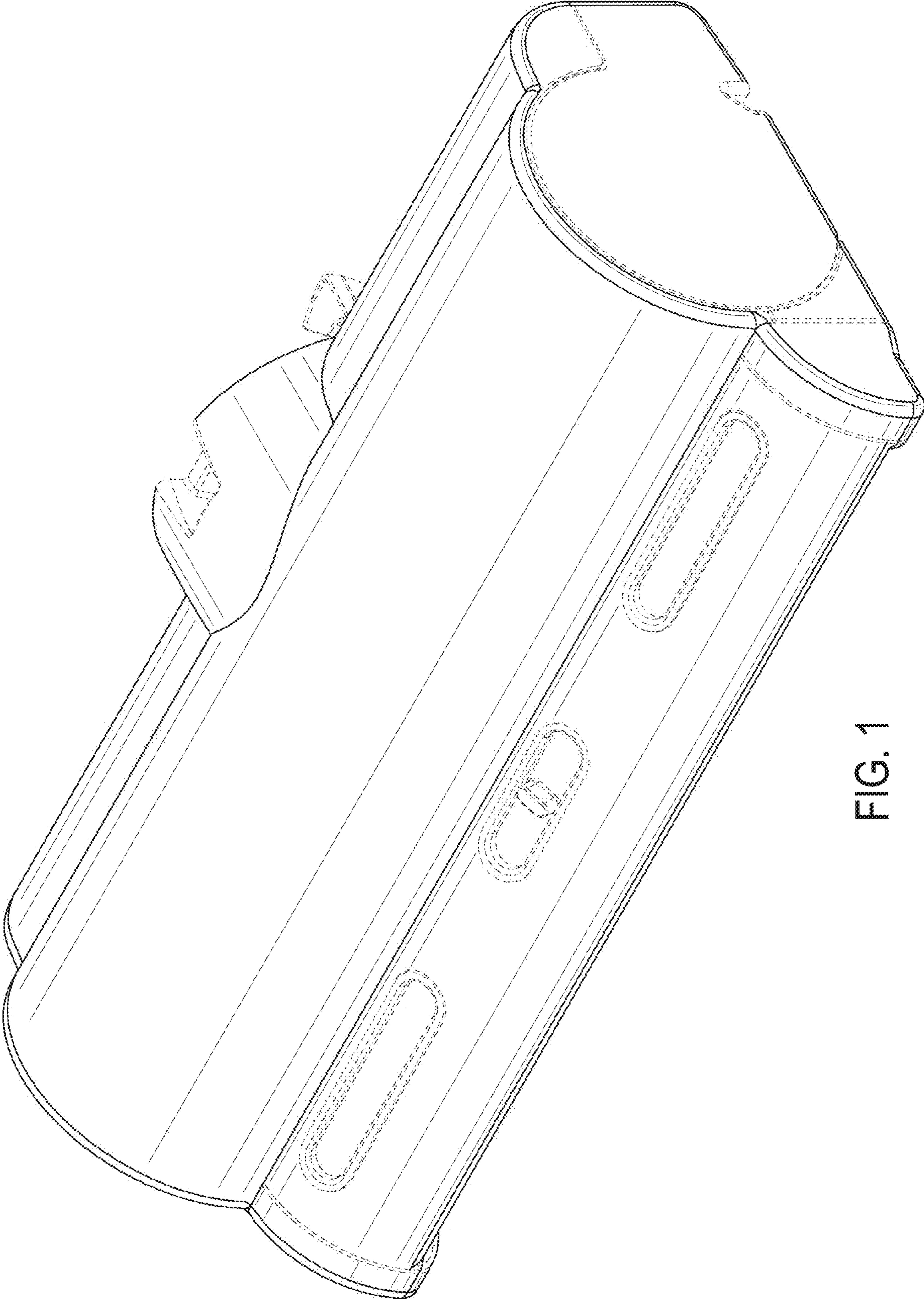


FIG. 1

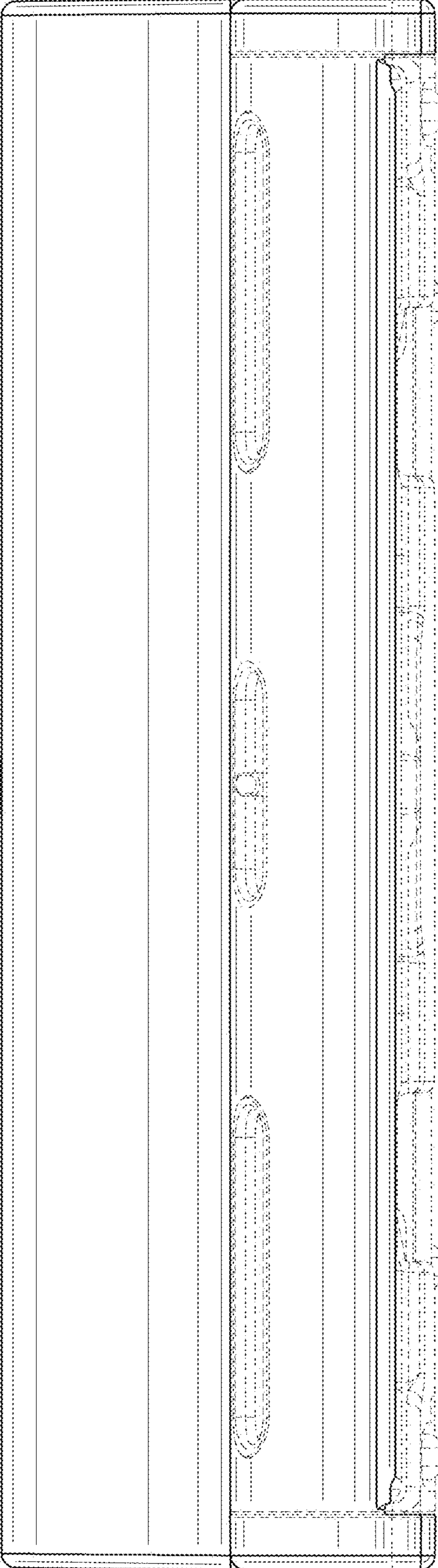


FIG. 2

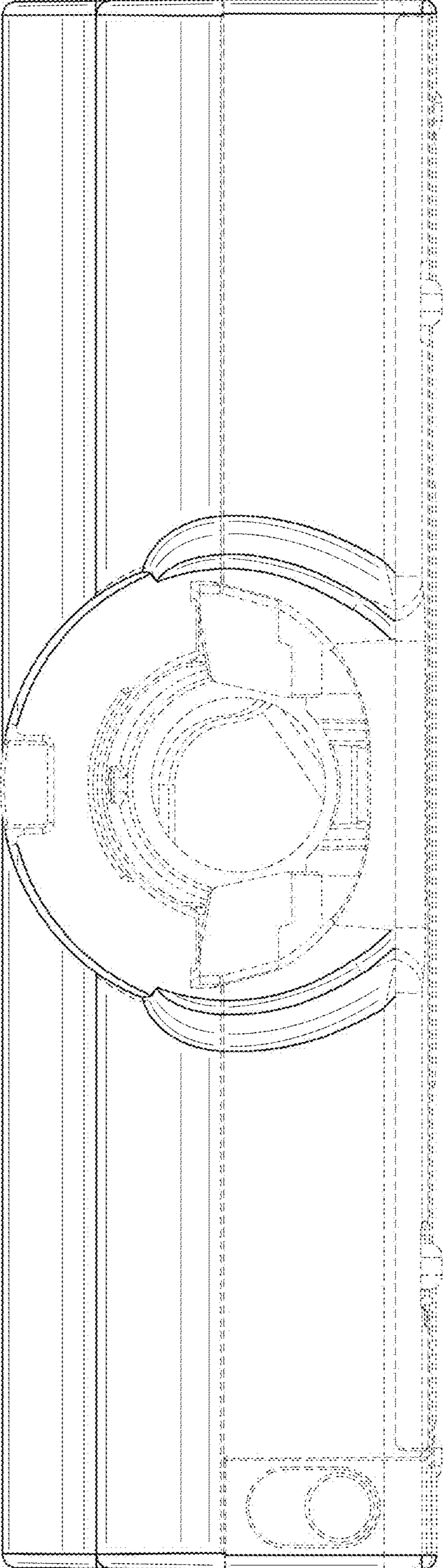


FIG. 3

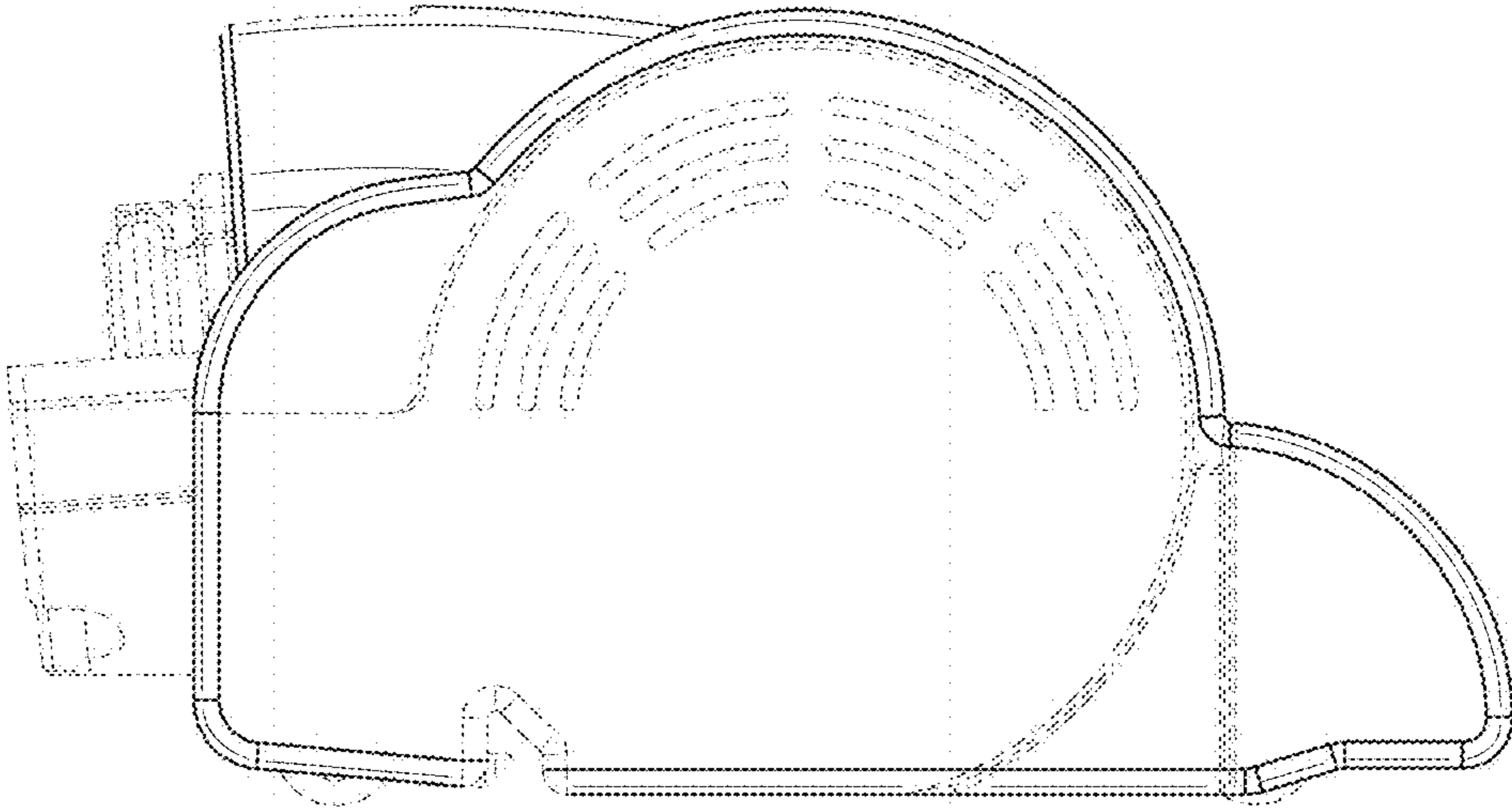


FIG. 4

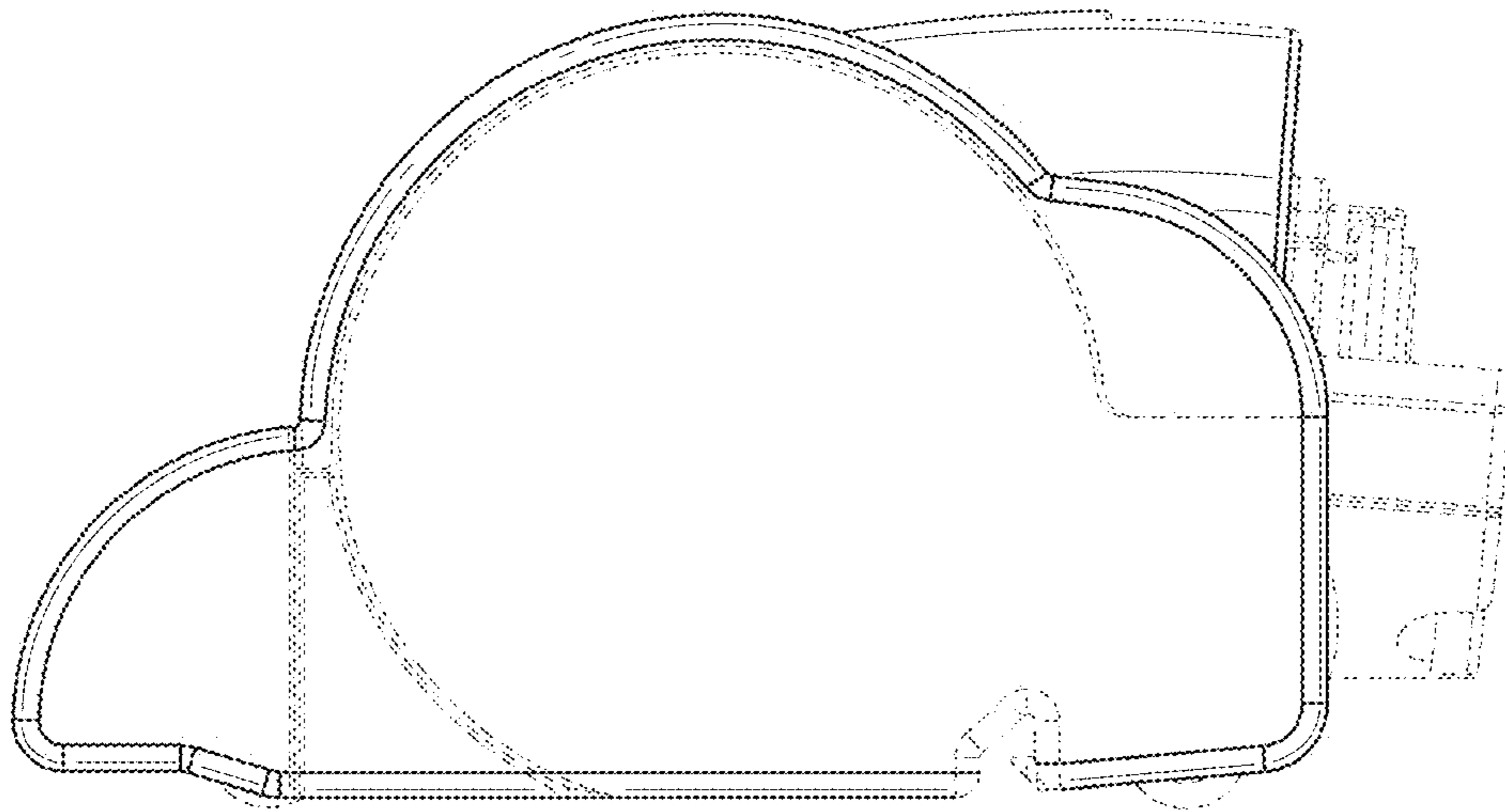


FIG. 5

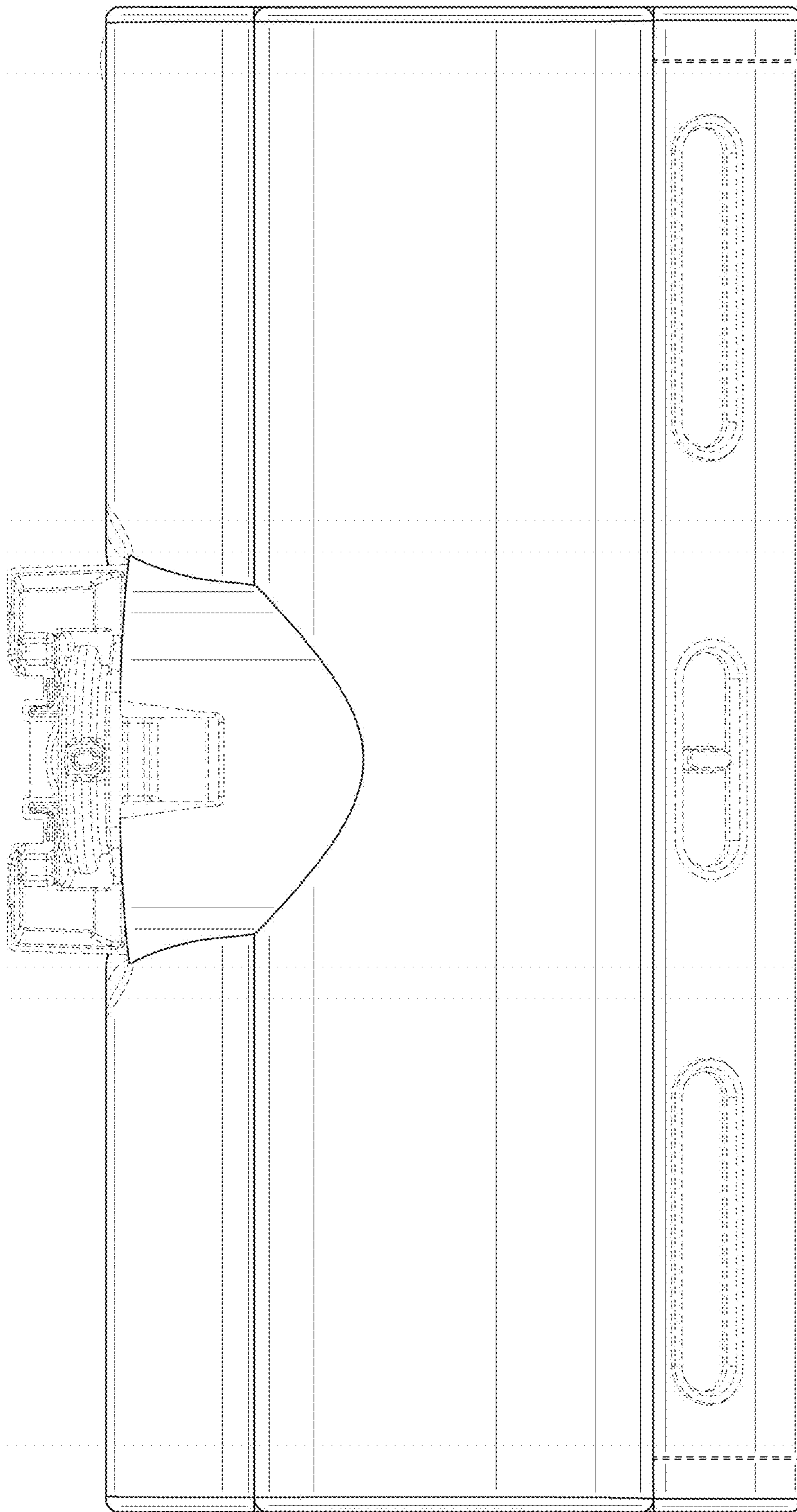


FIG. 6

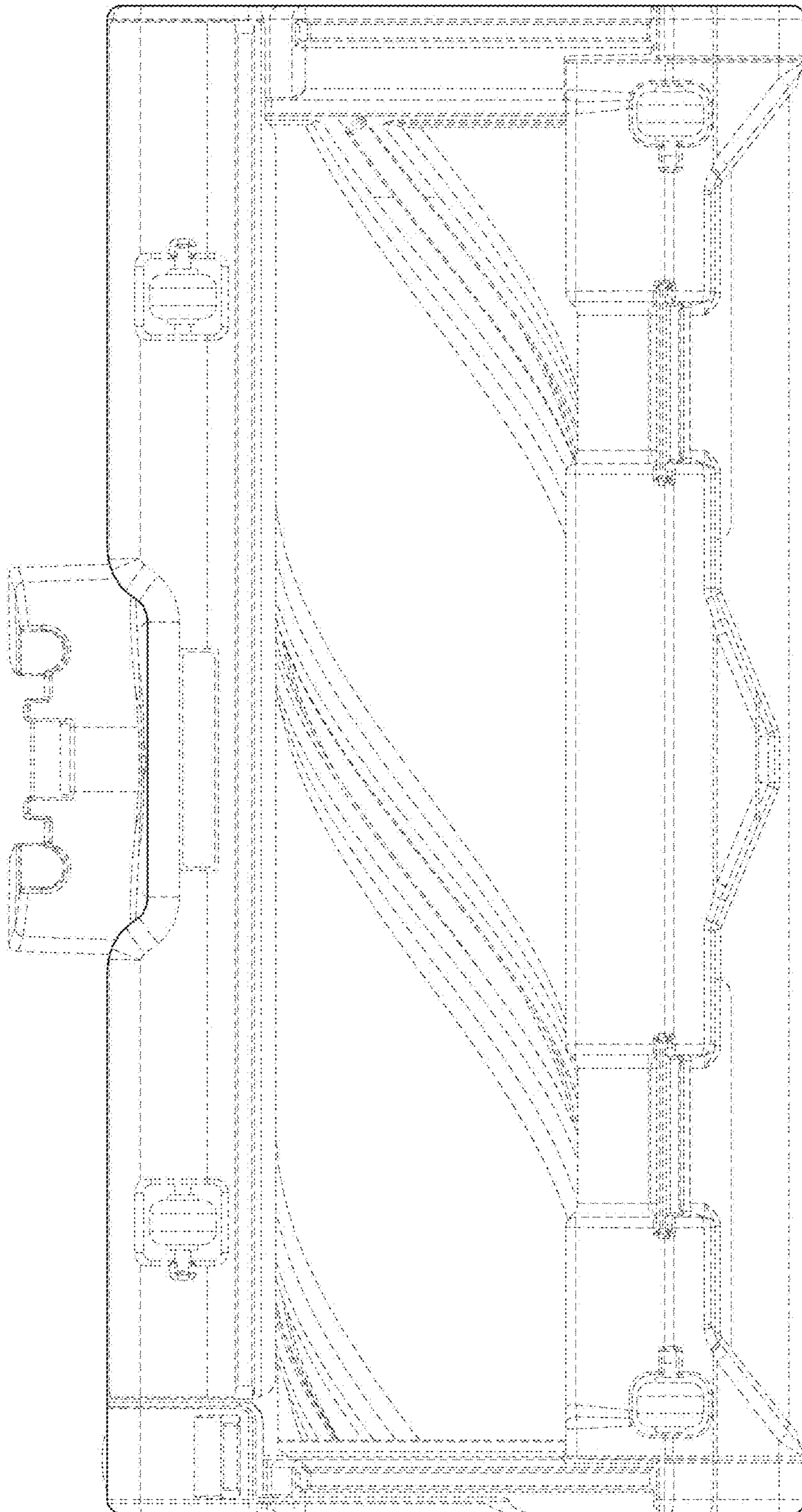


FIG. 7