



US00D875336S

(12) **United States Design Patent**  
**Knox et al.**

(10) **Patent No.:** **US D875,336 S**

(45) **Date of Patent:** **\*\* Feb. 11, 2020**

(54) **VACUUM CLEANER**

(71) Applicant: **Dyson Technology Limited**, Wiltshire (GB)

(72) Inventors: **Alexander Stuart Knox**, Swindon (GB); **James Robert Carswell**, Bristol (GB); **Luke William Stephens**, Swindon (GB)

(73) Assignee: **Dyson Technology Limited**, Malmesbury, Wiltshire (GB)

(\*\*) Term: **15 Years**

(21) Appl. No.: **29/626,585**

(22) Filed: **Nov. 17, 2017**

(30) **Foreign Application Priority Data**

May 18, 2017 (EM) ..... 004007847-0001

(51) **LOC (12) Cl.** ..... **15-05**

(52) **U.S. Cl.**  
USPC ..... **D32/32**

(58) **Field of Classification Search**

USPC ..... D32/31-34, 22; 15/415.1  
CPC ..... A47L 9/02; A47L 9/04; A47L 9/06; A47L 9/0461; A47L 9/325; A47L 5/362; A47L 5/365; A47L 5/30; A47L 5/36; A47L 5/28; A47L 5/32; A47L 11/4044; A47L 11/302

See application file for complete search history.

(56) **References Cited**

**U.S. PATENT DOCUMENTS**

D621,108 S \* 8/2010 Santiago ..... D32/32  
D678,635 S \* 3/2013 Gammack ..... D32/32

D686,379 S \* 7/2013 Kim ..... D32/32  
D712,104 S \* 8/2014 Stickney ..... D32/32  
D712,105 S \* 8/2014 Stickney ..... D32/33  
9,204,770 B2 \* 12/2015 Worker ..... A47L 9/02  
D751,780 S \* 3/2016 Courtney ..... D32/33  
D752,301 S \* 3/2016 Courtney ..... D32/32  
D752,302 S \* 3/2016 Courtney ..... D32/32  
D782,761 S \* 3/2017 Yoon ..... D32/32  
D823,566 S \* 7/2018 Kim ..... D32/33  
D836,273 S \* 12/2018 Nam ..... D32/32  
D836,274 S \* 12/2018 Nam ..... D32/32  
D836,868 S \* 12/2018 Nam ..... D32/32  
D839,517 S \* 1/2019 Nam ..... D32/32  
D839,518 S \* 1/2019 Nam ..... D32/32  
D839,519 S \* 1/2019 Nam ..... D32/33  
D839,520 S \* 1/2019 Hribar-Green ..... D32/33  
D839,521 S \* 1/2019 Hribar-Green ..... D32/33

\* cited by examiner

*Primary Examiner* — Ruth McInroy

(74) *Attorney, Agent, or Firm* — Morrison & Foerster LLP

(57) **CLAIM**

We claim the ornamental design for a vacuum cleaner, as shown and described.

**DESCRIPTION**

FIG. 1 is a perspective view of a vacuum cleaner showing our new design;

FIG. 2 is a front view thereof;

FIG. 3 is a rear view thereof;

FIG. 4 is a side view thereof;

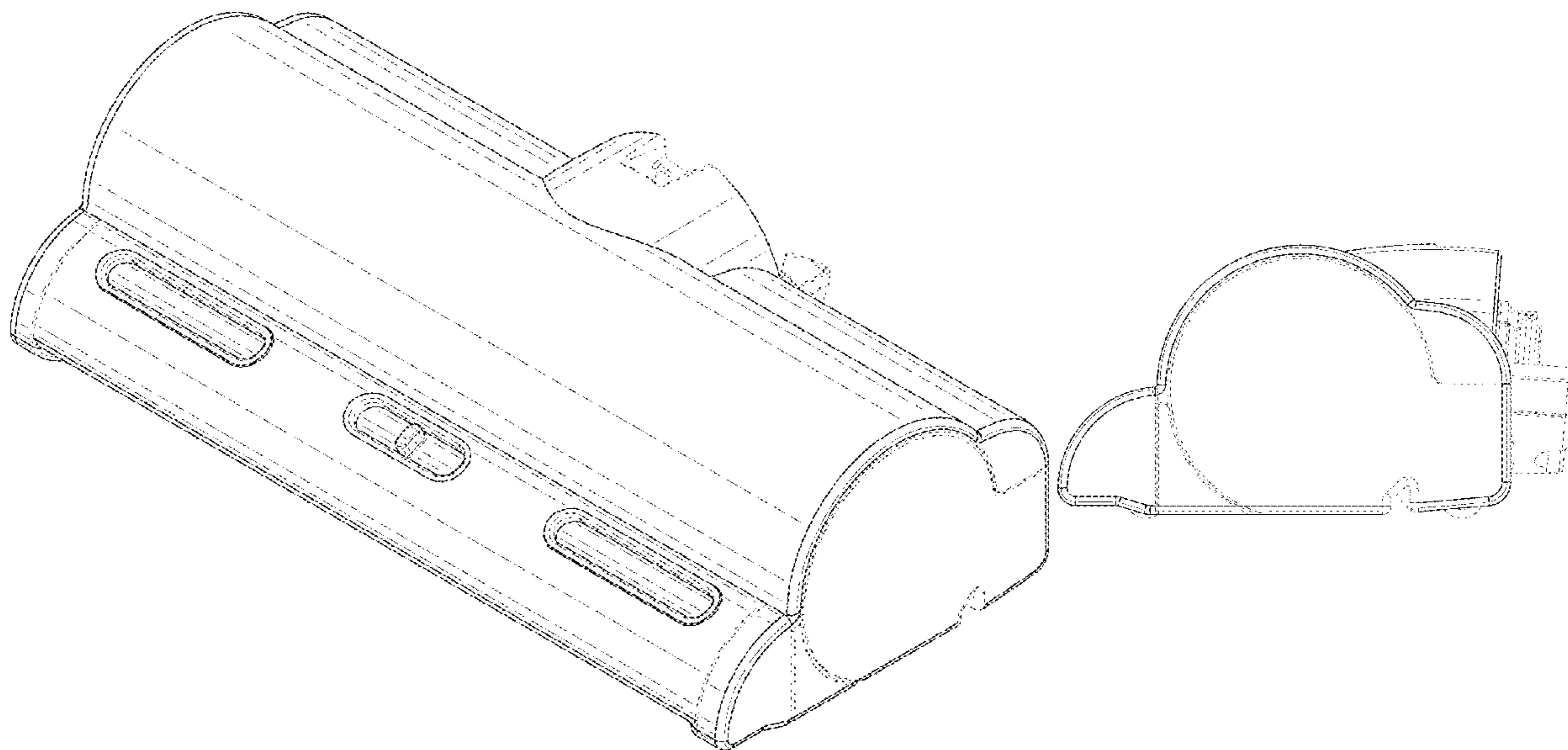
FIG. 5 is a side view of the opposite side of FIG. 4;

FIG. 6 is a top view thereof; and,

FIG. 7 is a bottom view thereof.

The broken lines shown in the drawings illustrate portions of a vacuum cleaner that form no part of the claimed design.

**1 Claim, 7 Drawing Sheets**



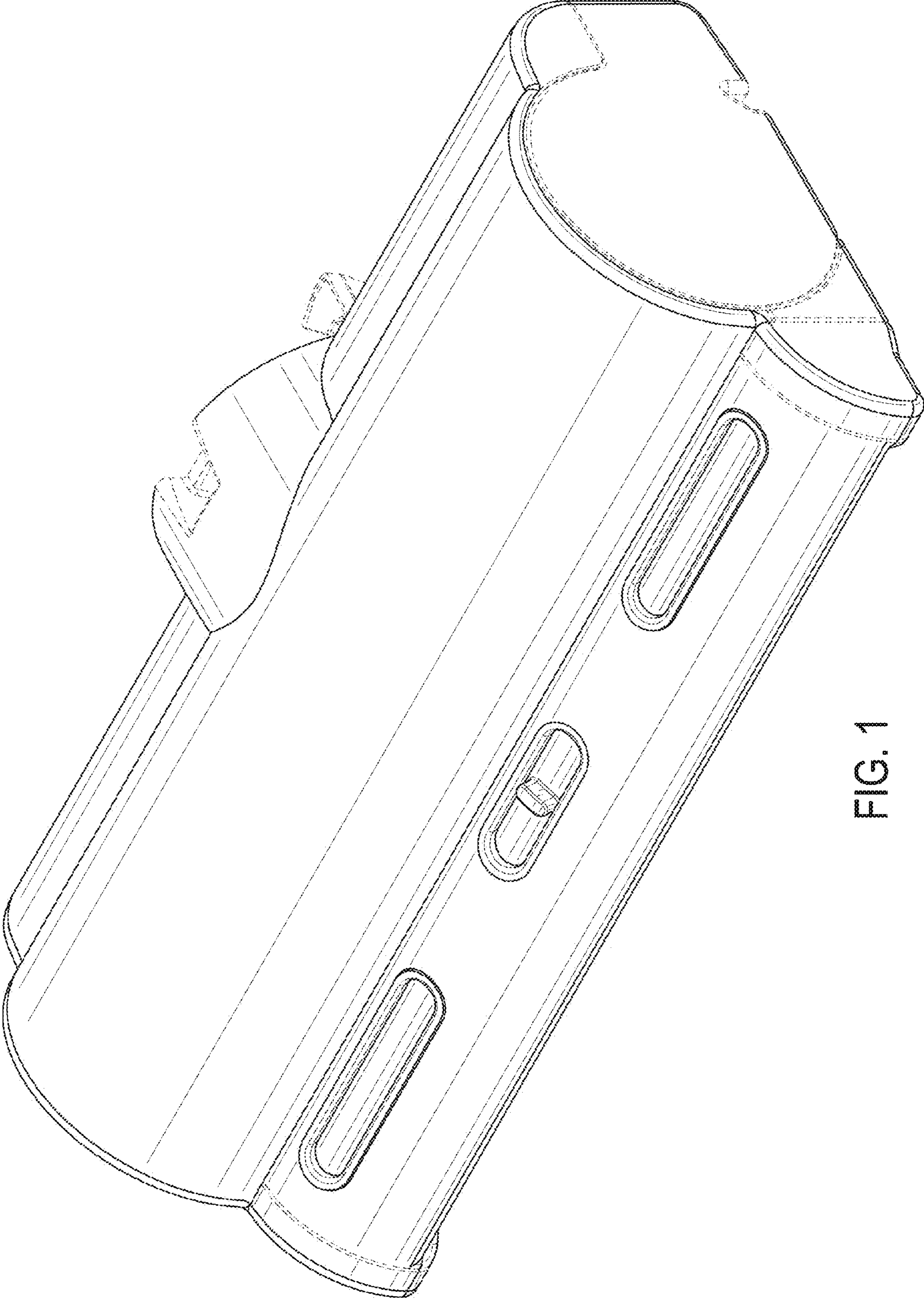


FIG. 1

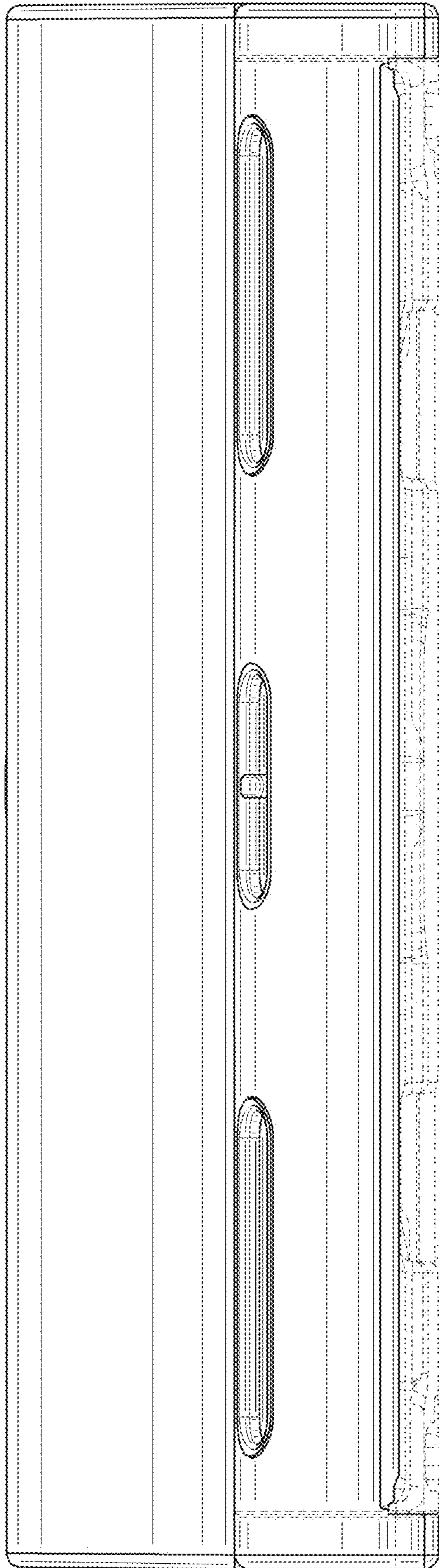


FIG. 2

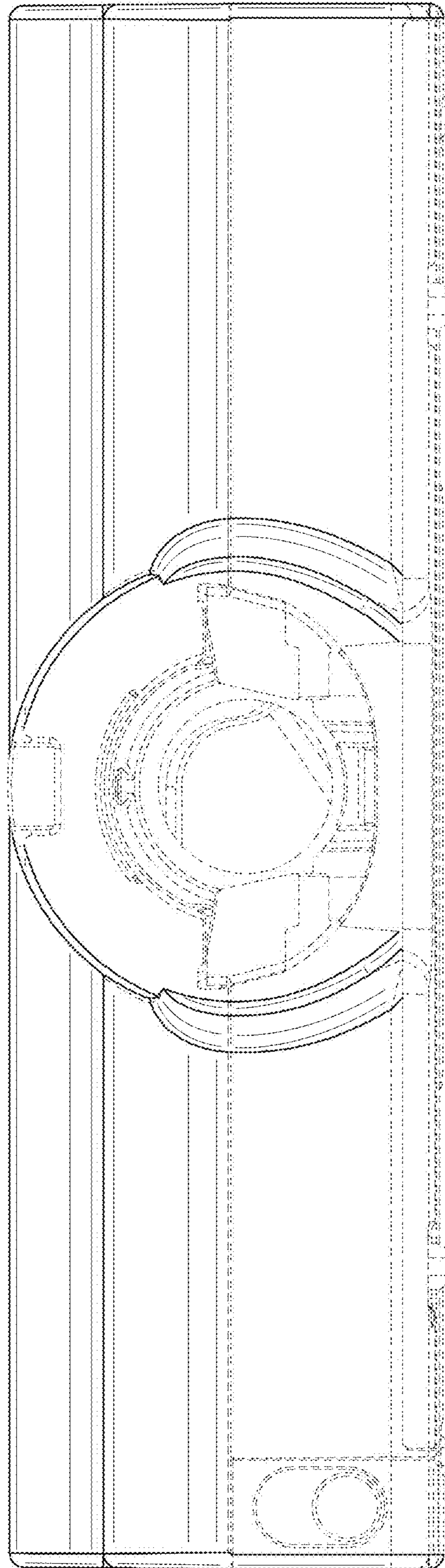


FIG. 3

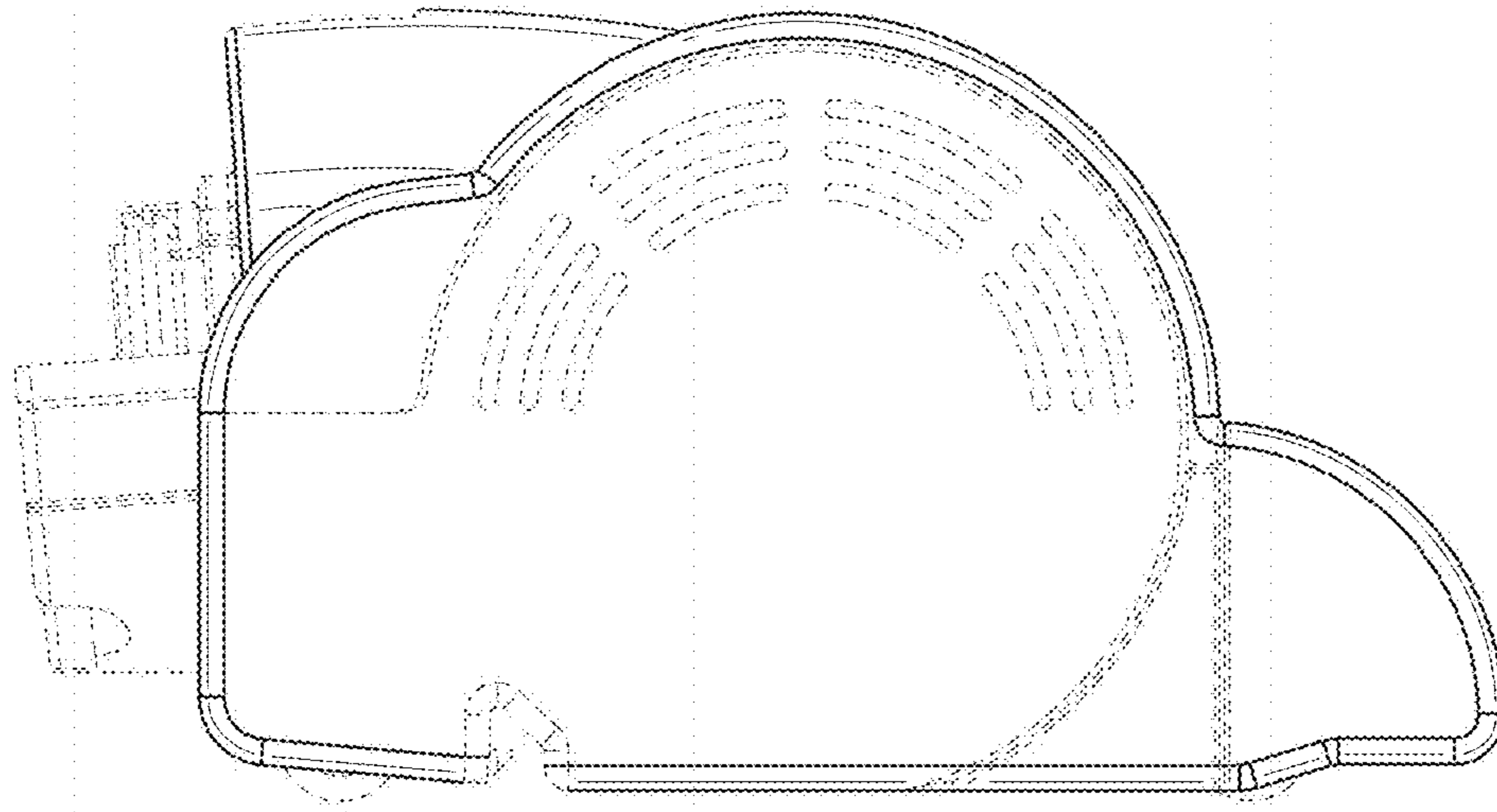


FIG. 4

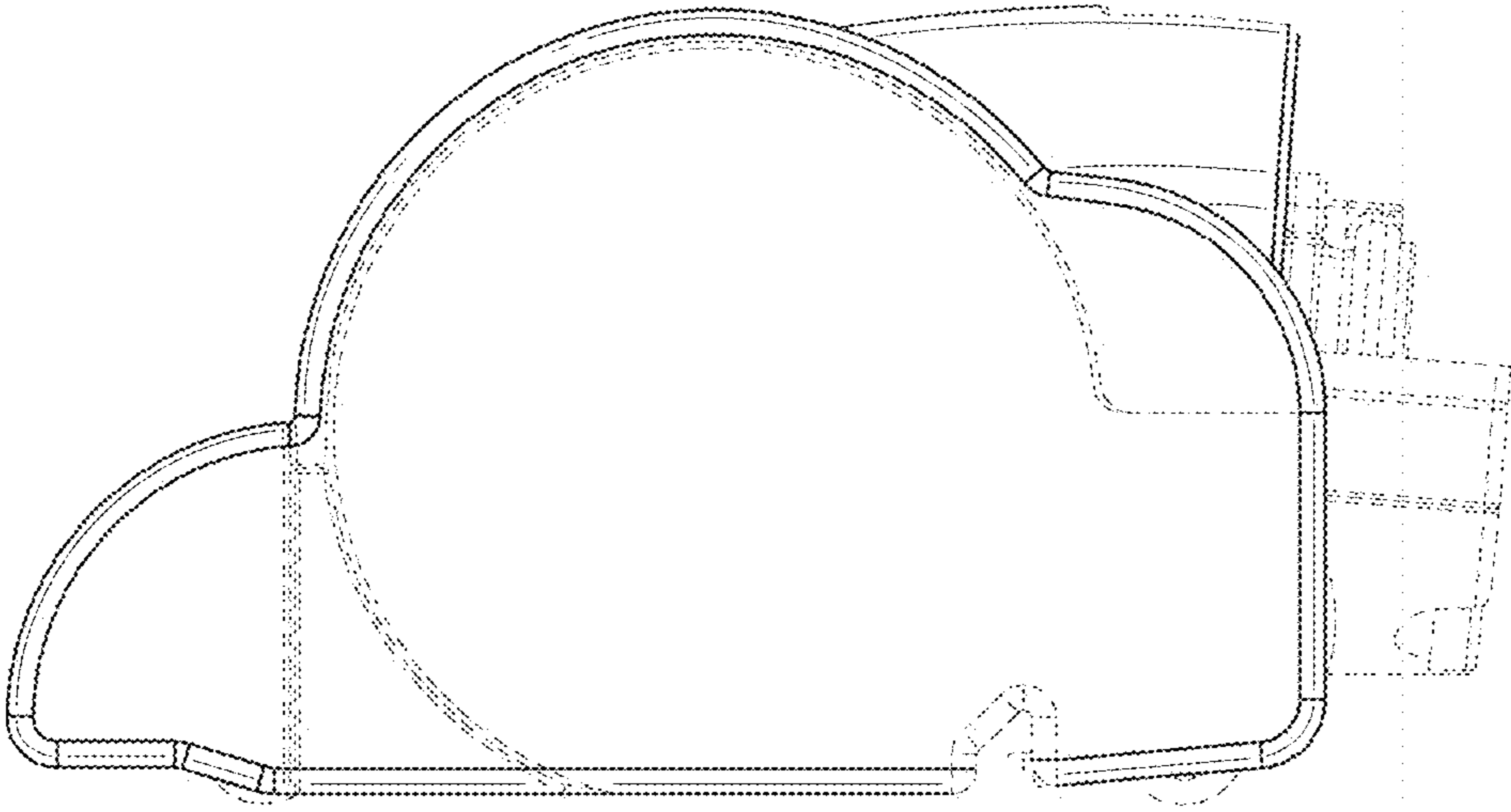


FIG. 5

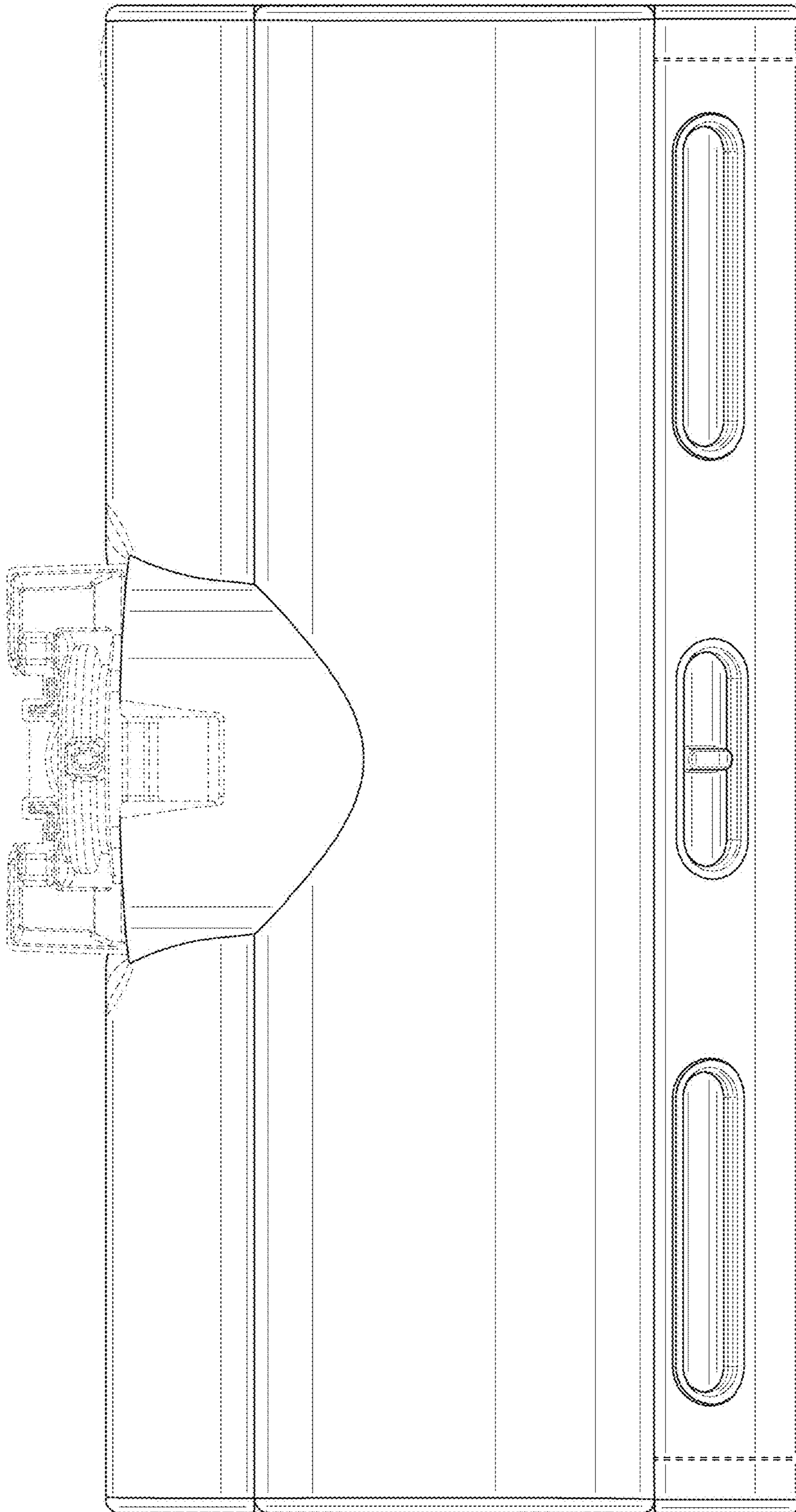


FIG. 6

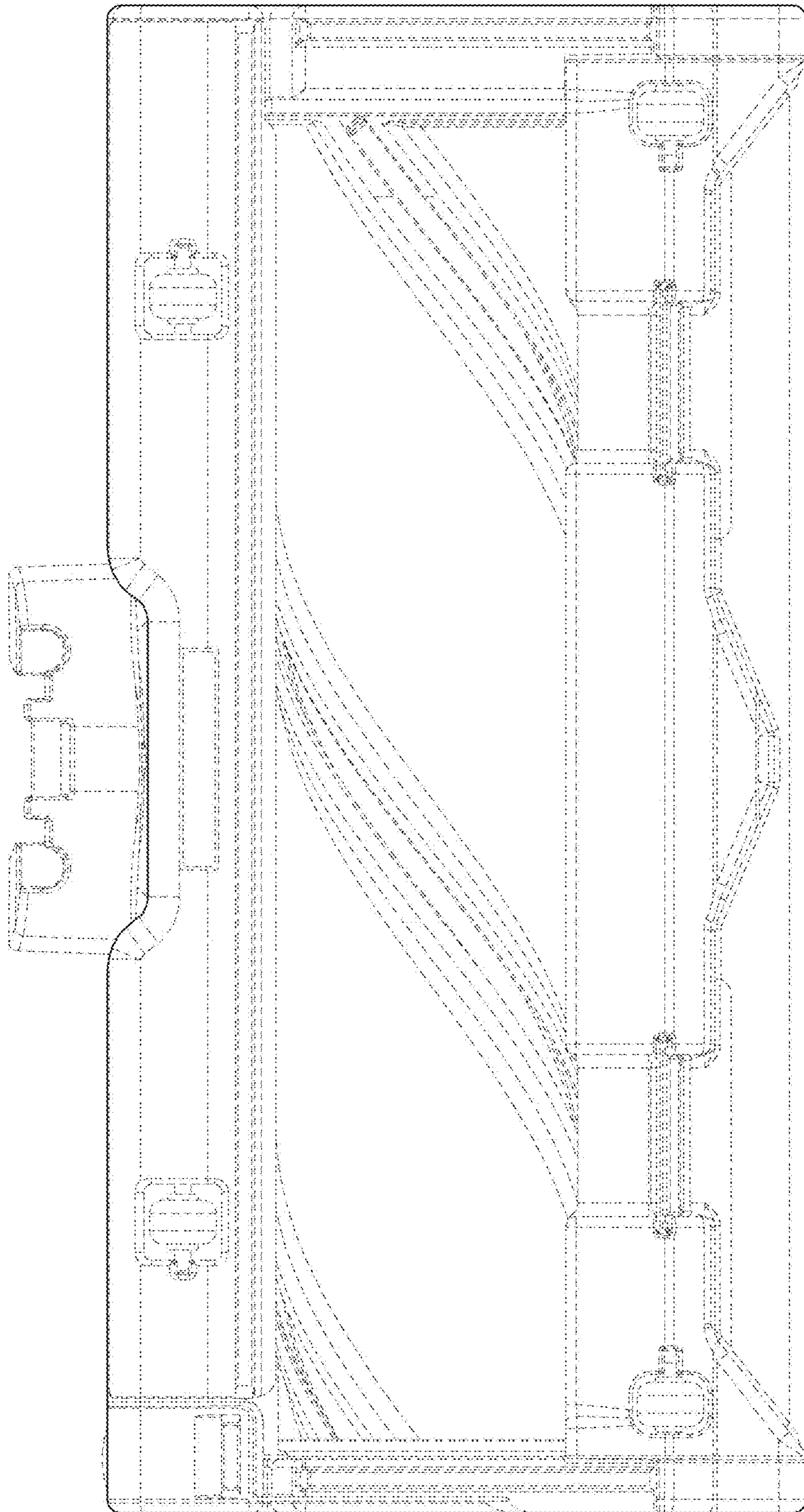


FIG. 7