



US00D875335S

(12) **United States Design Patent** (10) **Patent No.:** **US D875,335 S**
Sagkob et al. (45) **Date of Patent:** **** Feb. 11, 2020**

(54) **STEAM CLEANER**
(71) Applicant: **Alfred Kaercher SE & Co. KG**,
Winnenden (DE)
(72) Inventors: **Christoph Sagkob**, Winnenden (DE);
Michael Meyer, Schwaikheim (DE);
Reinhard Renner, Esslingen (DE)
(73) Assignee: **Alfred Kaercher SE & Co. KG**,
Winnenden (DE)
(**) Term: **15 Years**

D671,283 S 11/2012 Paterson
D677,844 S * 3/2013 Nicora D32/22
D680,286 S * 4/2013 Gray D32/22
D722,211 S 2/2015 Thackray et al.
D740,503 S 10/2015 Tyler
D751,261 S 3/2016 Thorne
D789,004 S * 6/2017 Boehler D32/22
D792,668 S * 7/2017 Yoon D32/22
D796,129 S * 8/2017 Jang D32/22
D796,756 S * 9/2017 Niedzwecki D32/22
D811,026 S * 2/2018 Yoon D32/22
D812,828 S * 3/2018 Yoon D32/22
D816,926 S * 5/2018 Crawley D32/22
D836,863 S * 12/2018 Theising D32/22

(21) Appl. No.: **29/662,959**
(22) Filed: **Sep. 11, 2018**

FOREIGN PATENT DOCUMENTS

EP 0192624 8/1986
WO DM086270 4/2015

(30) **Foreign Application Priority Data**

* cited by examiner

Mar. 13, 2018 (WO) DM/100317

Primary Examiner — Ruth McInroy
(74) *Attorney, Agent, or Firm* — Lipsitz & McAllister,
LLC

(51) **LOC (12) Cl.** **15-05**

(52) **U.S. Cl.**
USPC **D32/22**

(57) **CLAIM**

(58) **Field of Classification Search**
USPC D32/22, 31, 17
CPC A47L 11/20; A47L 11/34; A47L 11/40;
A47L 11/4016; A47L 11/4086; A47L
5/28; A47L 5/24; A47L 7/02; A47L
13/225; A47L 13/22
See application file for complete search history.

The ornamental design for a steam cleaner, as shown and described.

DESCRIPTION

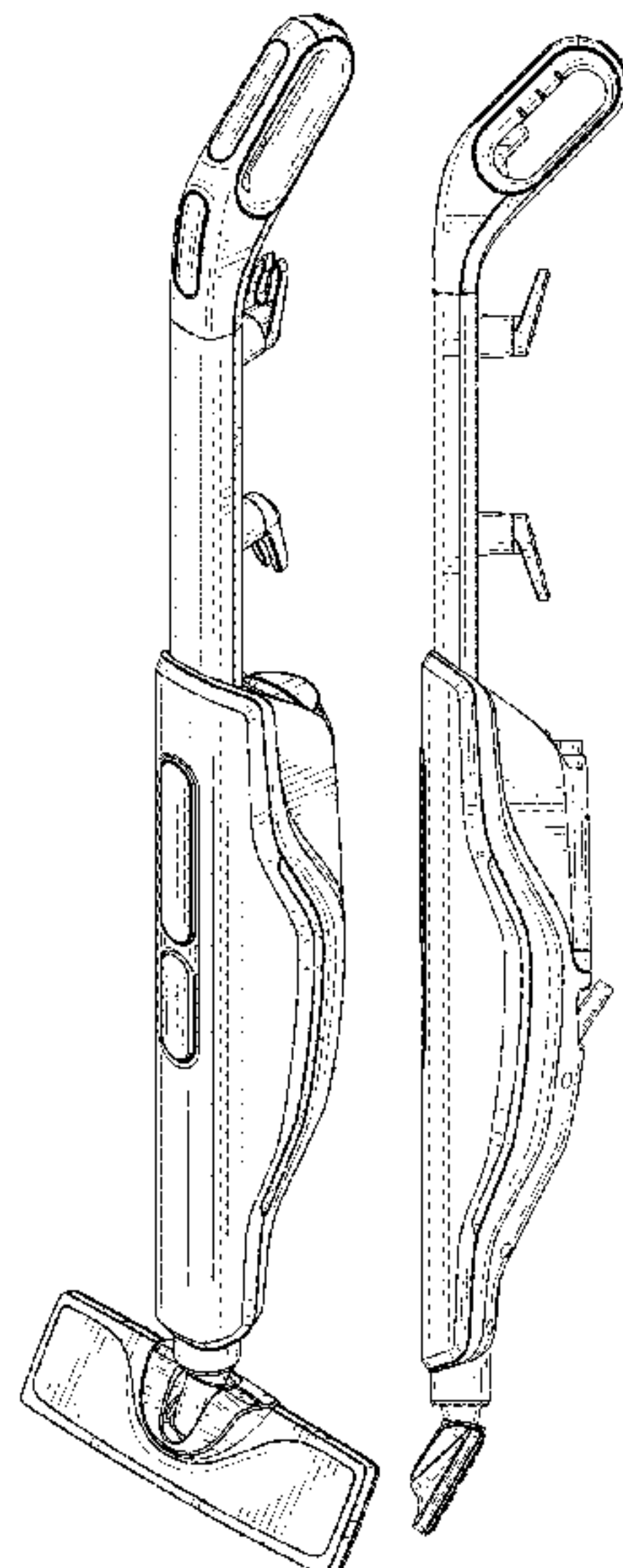
(56) **References Cited**

U.S. PATENT DOCUMENTS

4,665,582 A 5/1987 Richmond et al.
D468,498 S * 1/2003 Santiago D32/31
D498,887 S 11/2004 Kent
D588,760 S 3/2009 Chun et al.
D643,980 S * 8/2011 Kim D32/22
D646,857 S * 10/2011 Spencer D32/22
D654,233 S * 2/2012 Kim D32/22

FIG. 1 is a front, top and left side perspective view of a steam cleaner showing the new design; FIG. 2 is a front, top and right side perspective view thereof; FIG. 3 is a front elevational view thereof; FIG. 4 is a left side elevational view thereof; FIG. 5 is a rear elevational view thereof; FIG. 6 is a right side elevational view thereof; and, FIG. 7 is a top plan view thereof. The broken line showing of certain features in FIG. 5 forms no part of the claimed design.

1 Claim, 7 Drawing Sheets



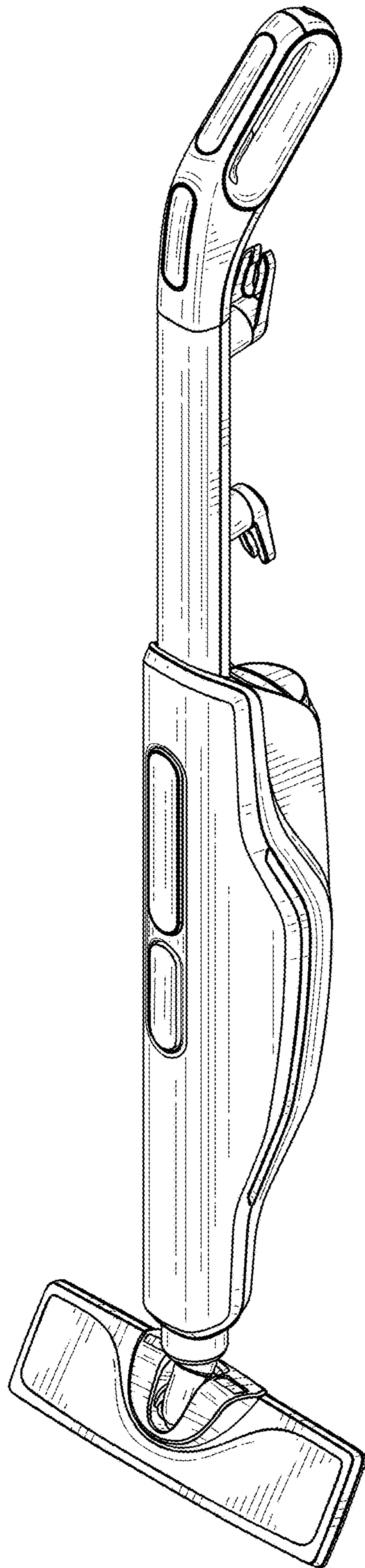


FIG. 1

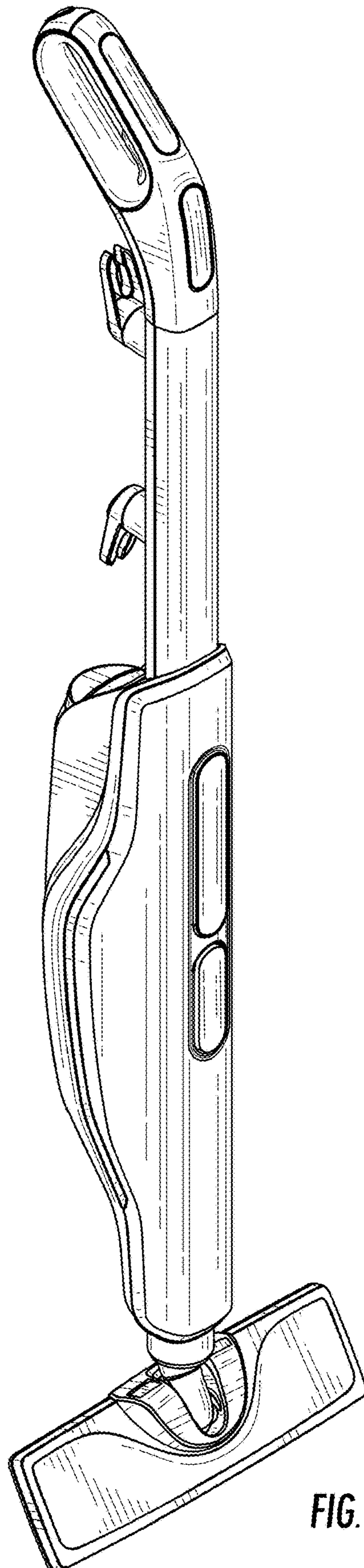


FIG. 2

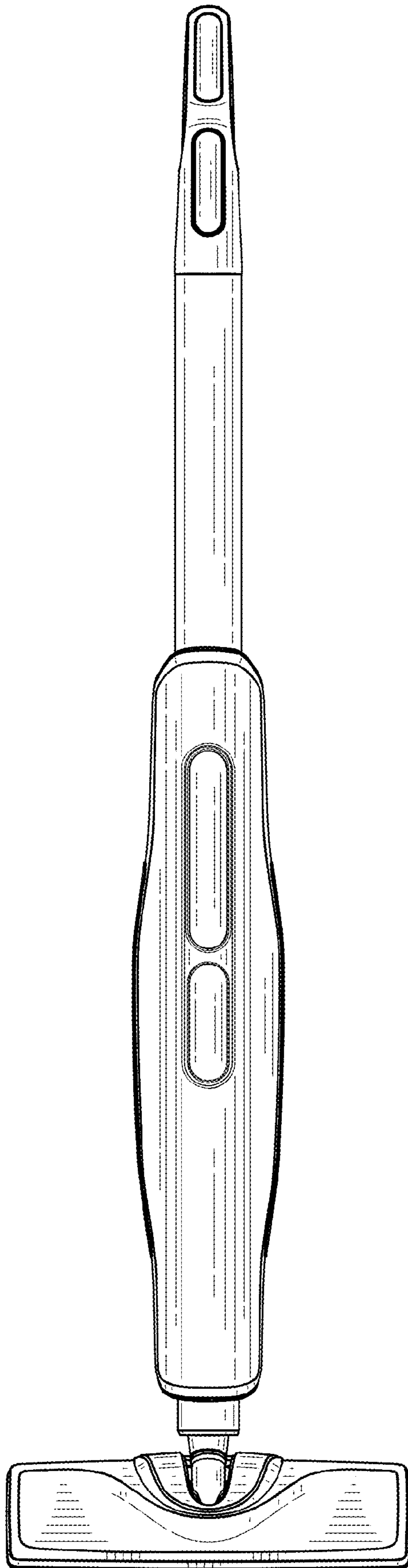


FIG. 3

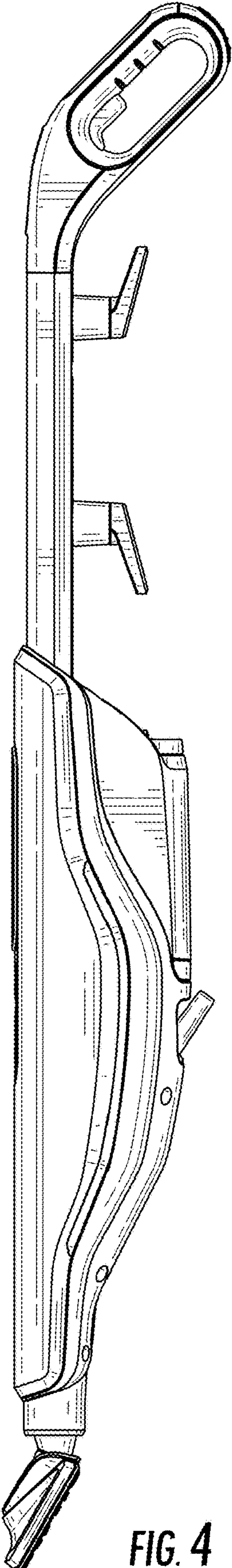


FIG. 4

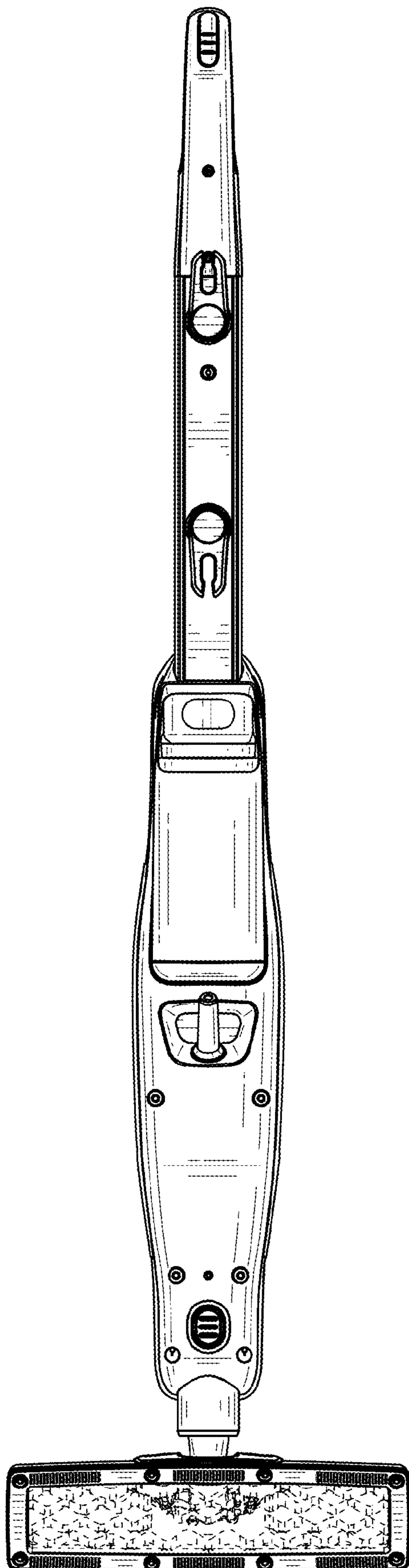


FIG. 5

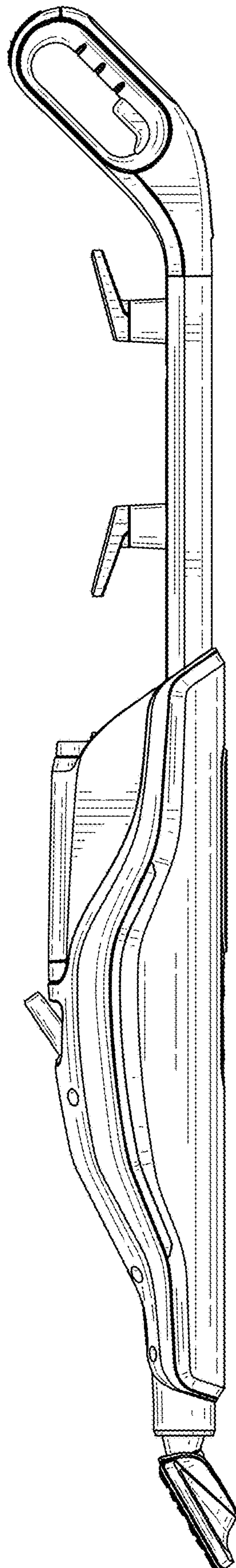


FIG. 6

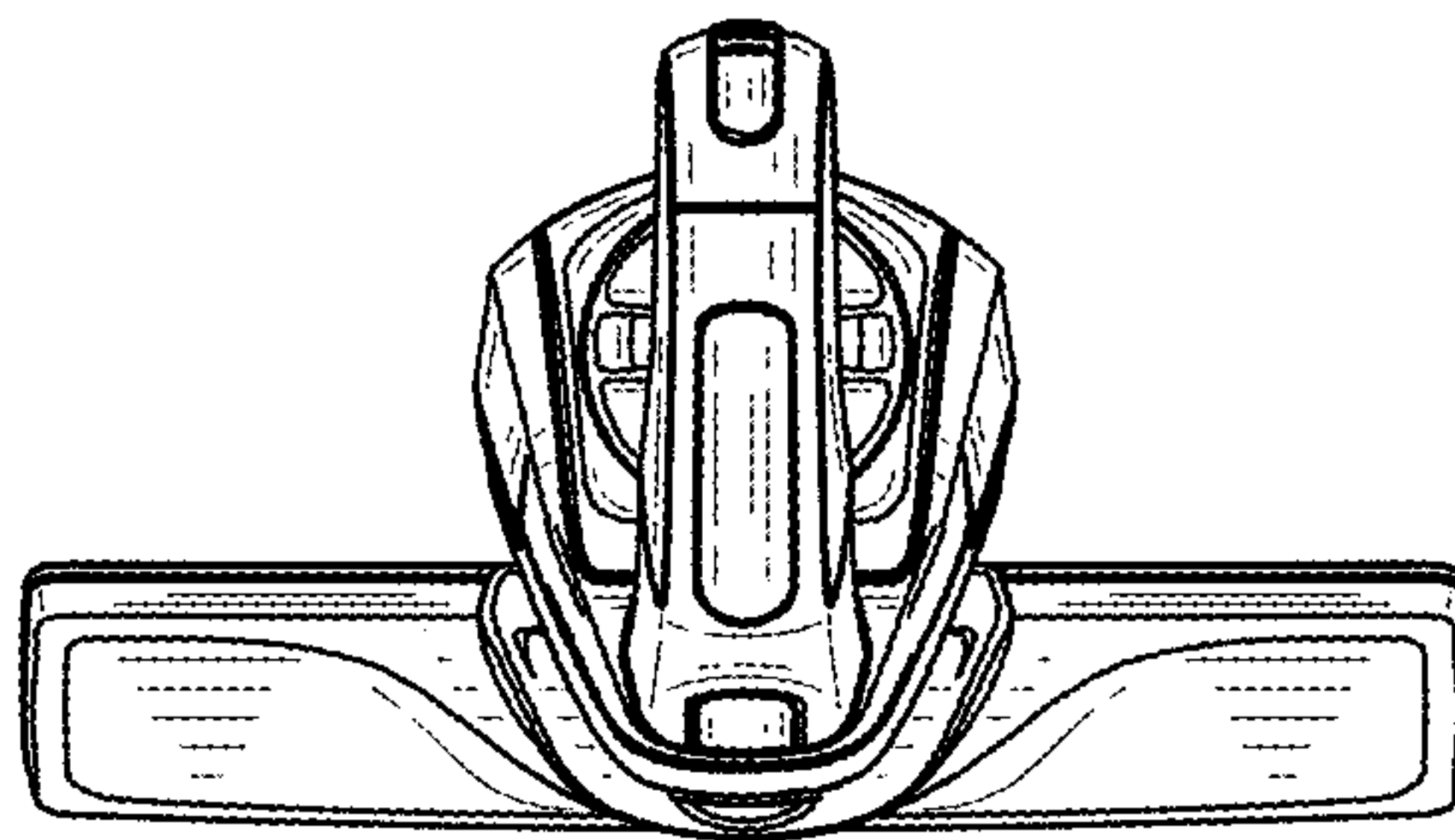


FIG. 7