



US00D875334S

(12) **United States Design Patent**  
**Chavana, Jr. et al.**

(10) **Patent No.:** **US D875,334 S**  
(45) **Date of Patent:** **\*\* Feb. 11, 2020**

- (54) **SURFACE CLEANING SYSTEM**
- (71) Applicant: **Rug Doctor, LLC**, Plano, TX (US)
- (72) Inventors: **Ernest Matthew Chavana, Jr.**, Villa Ridge, MO (US); **Richard Foster**, Powell, OH (US); **Stanley Anderson**, Fenton, MO (US); **Christopher Terpstra**, Frisco, TX (US); **Jan Valentic**, Plano, TX (US); **Xintao Ma**, Suzhou (CN)
- (73) Assignee: **RUG DOCTOR, LLC**, Plano, TX (US)
- (\*\*) Term: **15 Years**
- (21) Appl. No.: **29/625,426**
- (22) Filed: **Nov. 9, 2017**
- (51) **LOC (12) Cl.** ..... **15-05**
- (52) **U.S. Cl.**  
USPC ..... **D32/22**
- (58) **Field of Classification Search**  
USPC ..... D32/1, 2, 6, 12, 15-22; D15/199;  
D24/217  
CPC ..... A46B 13/001; A47L 11/305; A47L 11/30;  
A47L 11/4055  
See application file for complete search history.

- D696,824 S \* 12/2013 Dammkoehler ..... D32/15
- D712,102 S \* 8/2014 Hill ..... D32/22
- D723,755 S \* 3/2015 Barrett ..... D32/22
- 8,997,306 B2 \* 4/2015 Hill ..... A47L 11/302  
15/320
- 9,380,921 B2 \* 7/2016 Nguyen ..... A47L 11/34

\* cited by examiner

*Primary Examiner* — Michelle E. Wilson  
(74) *Attorney, Agent, or Firm* — Hauptman Ham, LLP

(57) **CLAIM**

The ornamental design for a surface cleaning system, as shown and described.

**DESCRIPTION**

FIG. 1 is a top-right perspective view of an embodiment of a surface cleaning system incorporating the design; FIG. 2 is a front view of the surface cleaning system of FIG. 1; FIG. 3 is a rear view of the surface cleaning system of FIG. 1; FIG. 4 is a left side view of the surface cleaning system of FIG. 1; FIG. 5 is a right side view of the surface cleaning system of FIG. 1; FIG. 6 is a top view of the surface cleaning system of FIG. 1; and, FIG. 7 is a bottom view of the surface cleaning system of FIG. 1.

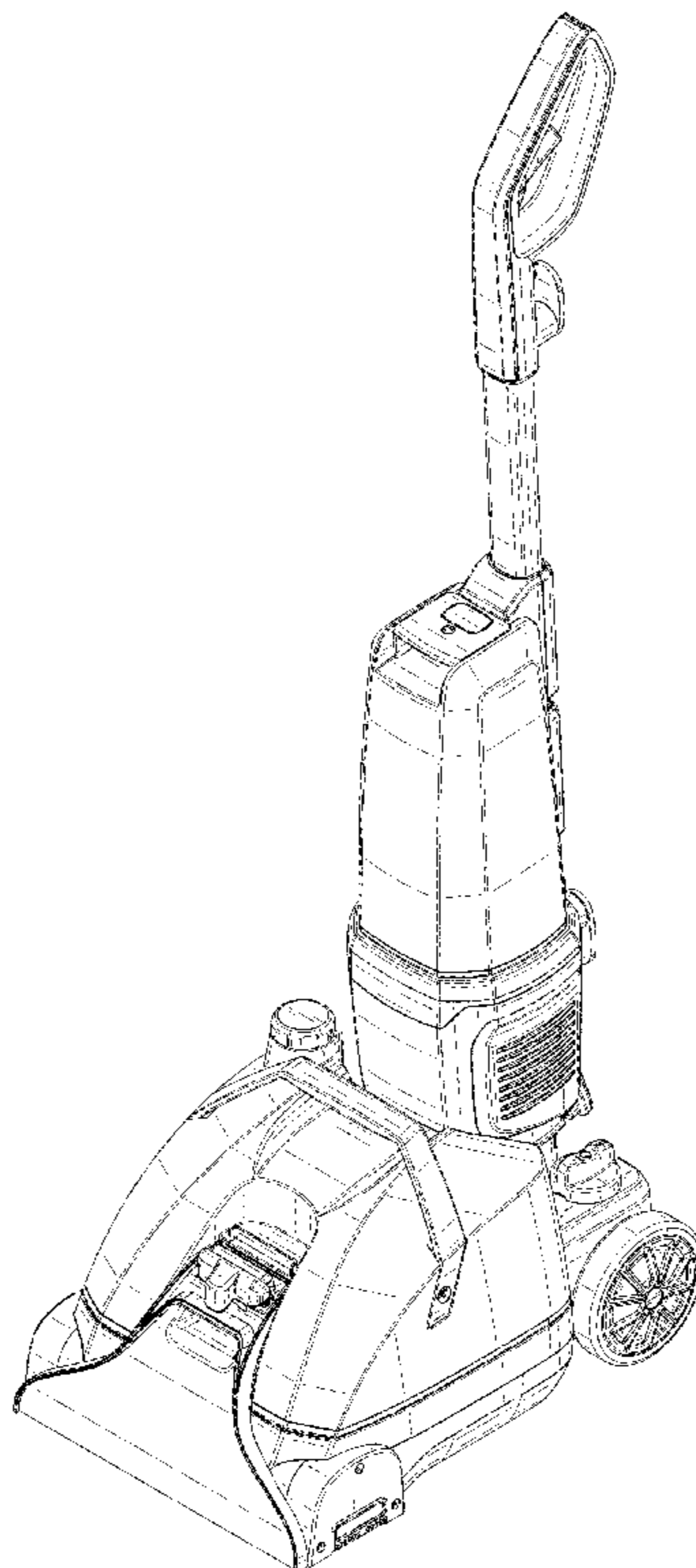
The broken lines in the drawings show environmental structure and form no part of the claimed design.

**1 Claim, 7 Drawing Sheets**

(56) **References Cited**

**U.S. PATENT DOCUMENTS**

- D364,947 S \* 12/1995 Kent ..... D32/21
- D633,667 S \* 3/2011 Santiago ..... D32/22



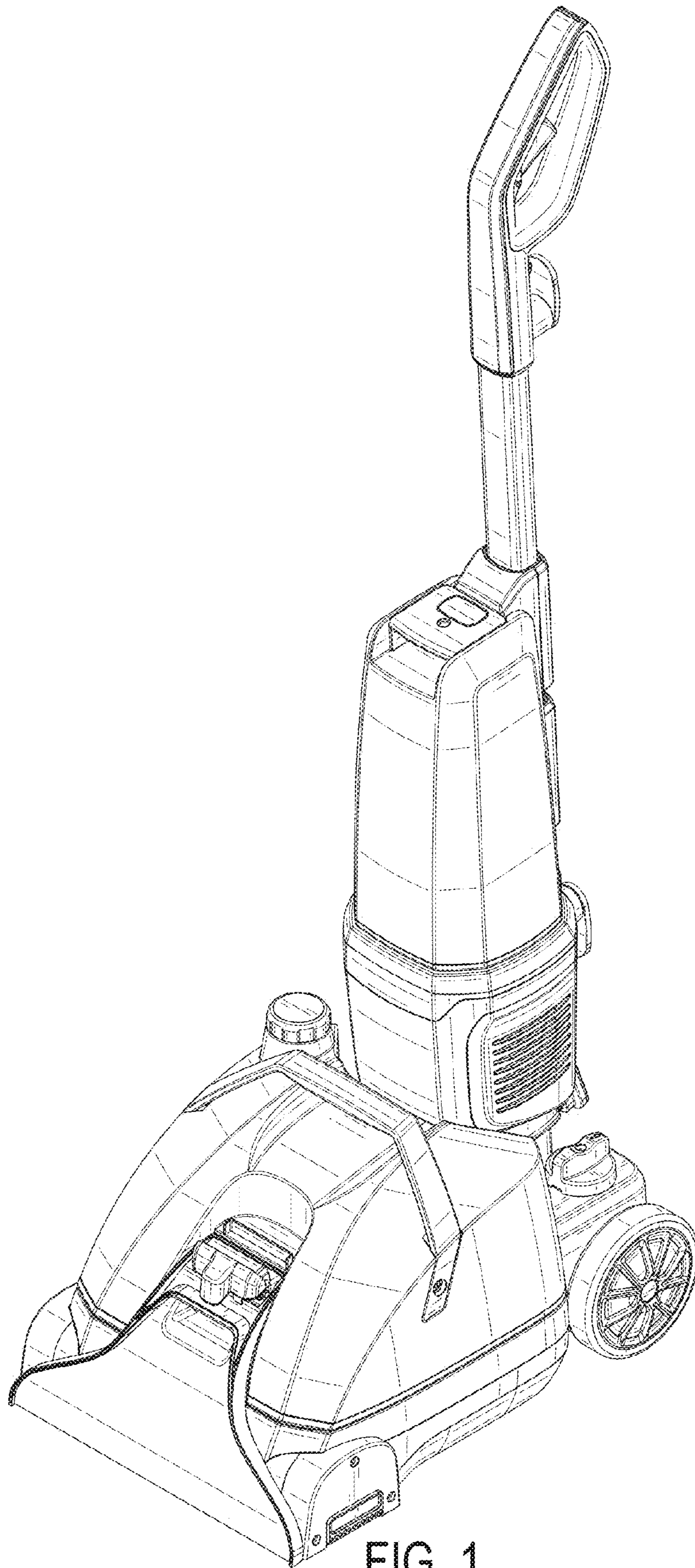


FIG. 1

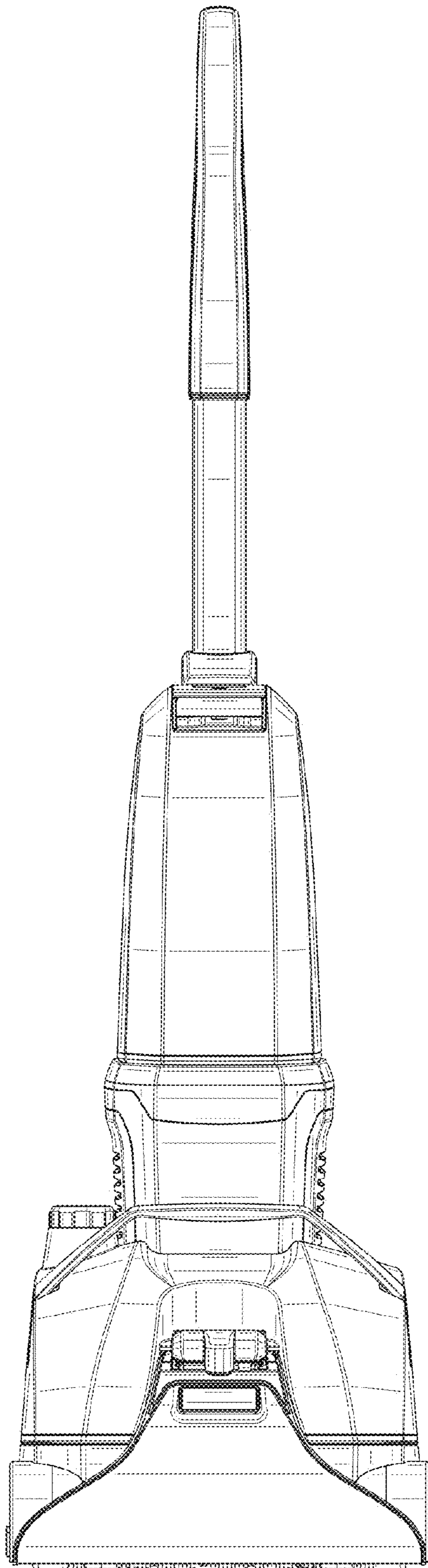


FIG. 2



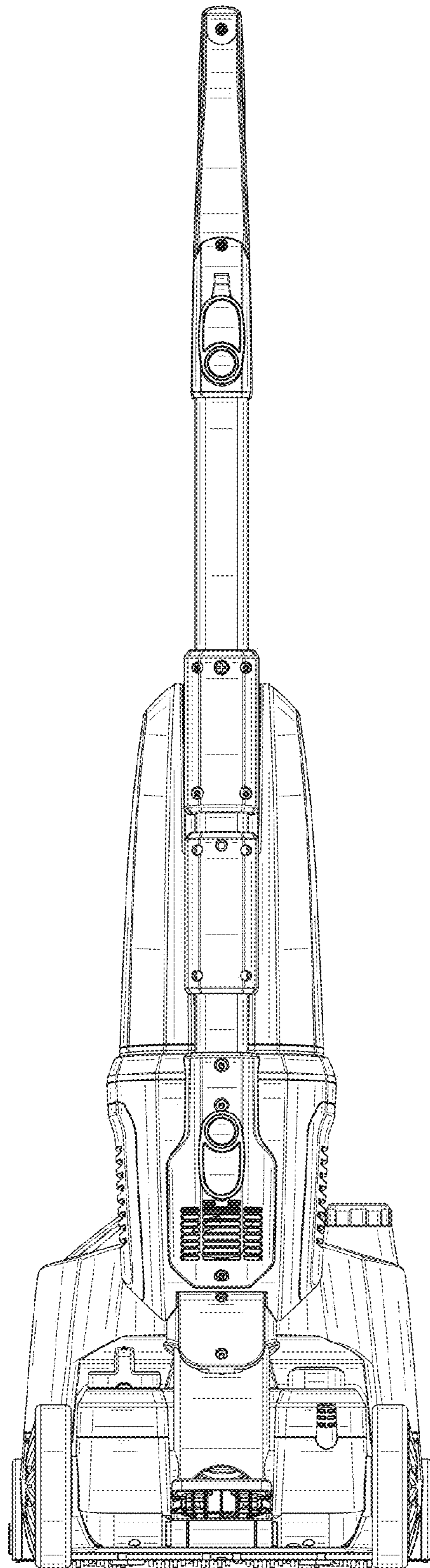


FIG. 3

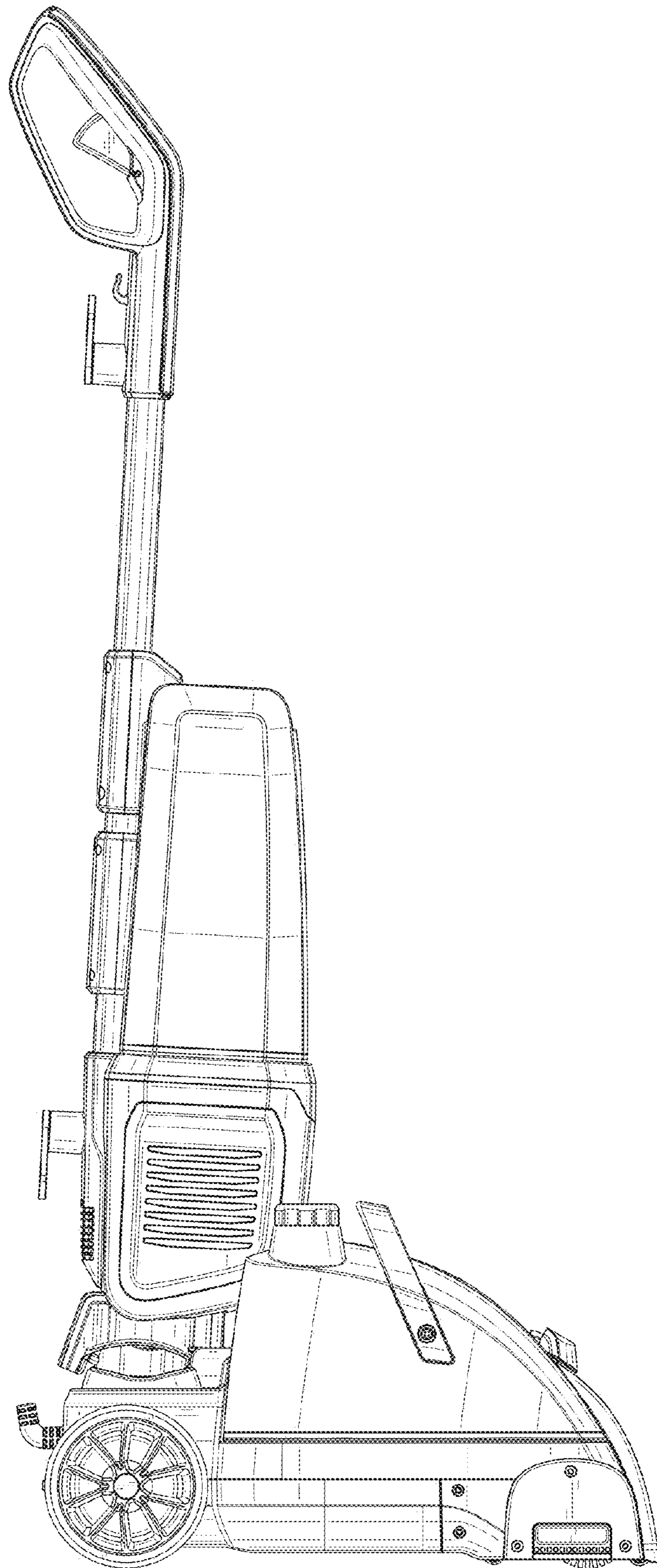


FIG. 4

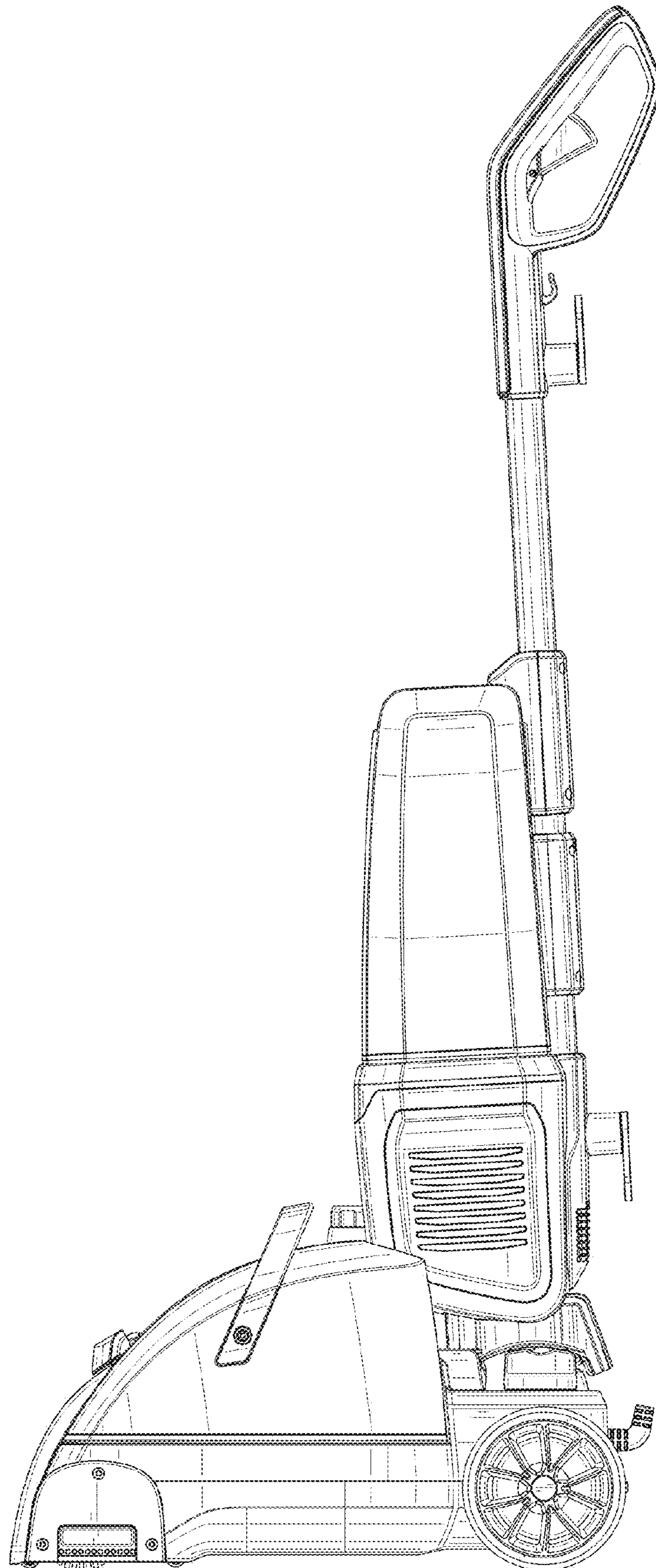


FIG. 5



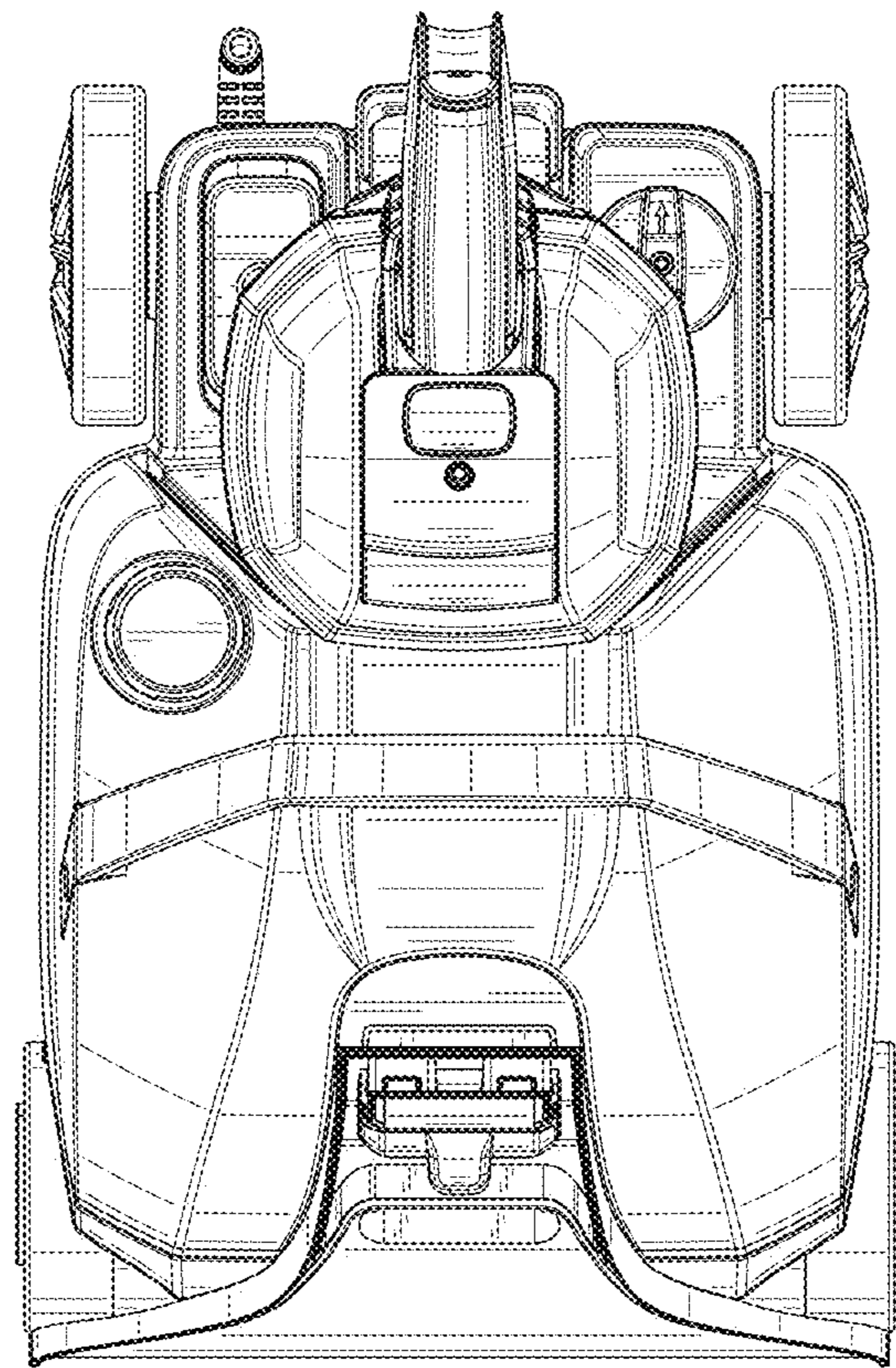


FIG. 6

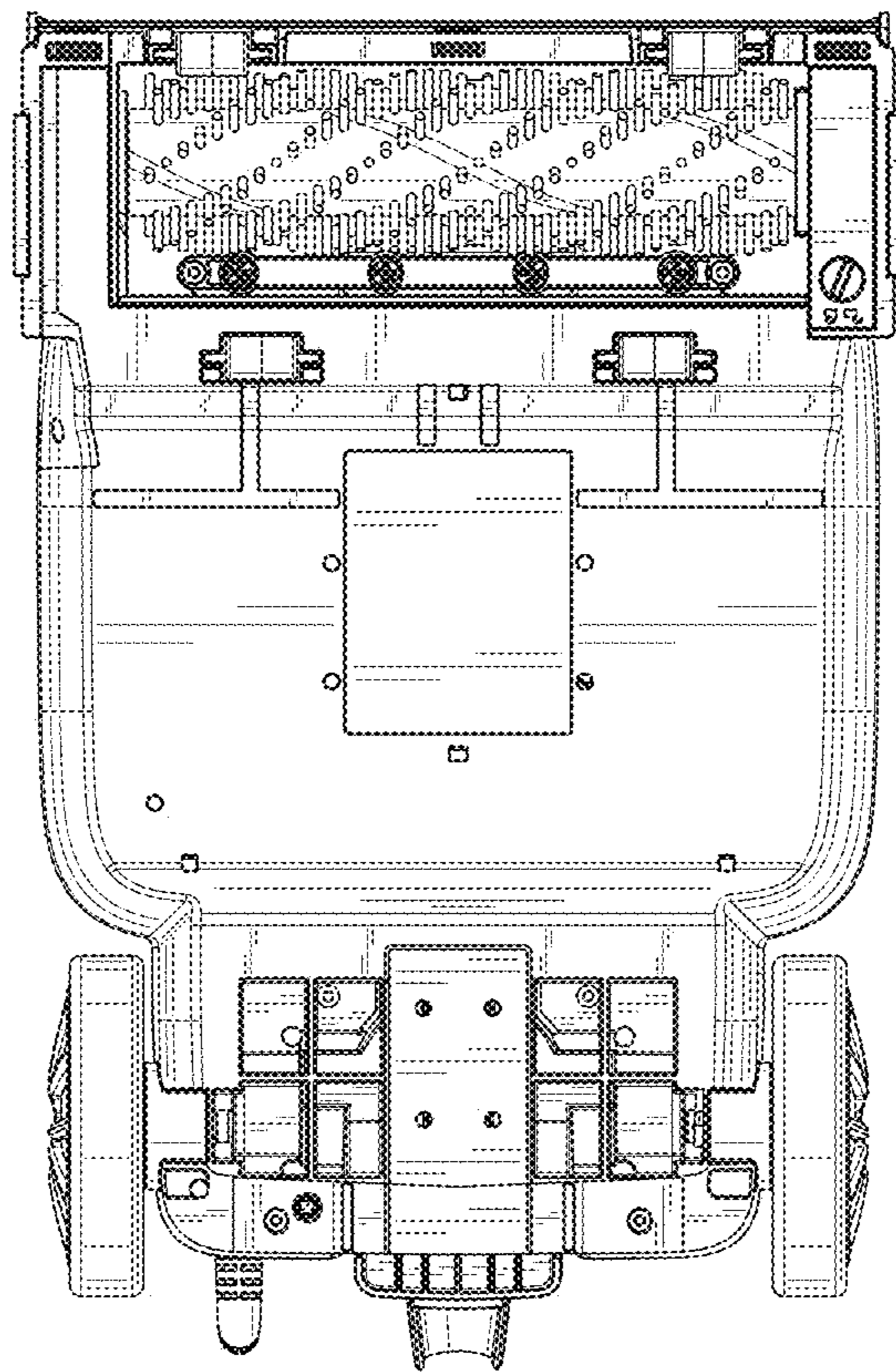


FIG. 7