



US00D875333S

(12) **United States Design Patent**
Wall et al.

(10) **Patent No.:** **US D875,333 S**
(45) **Date of Patent:** **** Feb. 11, 2020**

(54) **WET/DRY VACUUM CLEANER WITH HANDLE**

(71) Applicant: **Emerson Electric Co.**, St. Louis, MO (US)

(72) Inventors: **Alex J. Wall**, St. Louis, MO (US);
Douglas C. Schultz, Glen Carbon, IL (US);
Phuong Le, St. Charles, MO (US);
David Goggans, St. Louis, MO (US)

(73) Assignee: **Emerson Electric Co.**, St. Louis, MO (US)

(**) Term: **15 Years**

(21) Appl. No.: **29/645,944**

(22) Filed: **Apr. 30, 2018**

(51) **LOC (12) Cl.** **15-05**

(52) **U.S. Cl.**
USPC **D32/21**

(58) **Field of Classification Search**
USPC D32/21-23, 31, 34
CPC . A47L 5/362; A47L 5/365; A47L 5/28; A47L 5/32;
A47L 5/36; A47L 7/0004; A47L 7/0038; A47L 11/29;
A47L 11/30

See application file for complete search history.

(56) **References Cited**

U.S. PATENT DOCUMENTS

D362,091 S	9/1995	Tomasiak et al.
D418,643 S	1/2000	Hoshino
D438,353 S	2/2001	Hoshino et al.
D443,739 S	6/2001	Young et al.
D447,609 S	9/2001	Hult et al.
D479,023 S	8/2003	Holsten et al.
D486,280 S	2/2004	Holsten et al.
D492,823 S	7/2004	Hoshino et al.

D492,824 S	7/2004	Tomasiak et al.
D519,251 S	4/2006	Hoshino et al.
D520,689 S	5/2006	Eccardt et al.
D528,256 S	9/2006	Beth et al.
D528,718 S *	9/2006	Tomasiak D32/21
7,165,290 B2 *	1/2007	Martinez A47L 5/365 15/327.6
D537,992 S	3/2007	Hoshino
D541,818 S	5/2007	Rhea et al.
D549,903 S	8/2007	Eccardt et al.
D551,681 S	9/2007	Rhea et al.
D558,410 S	12/2007	Hill et al.
D565,269 S	3/2008	Tomasiak et al.
D568,013 S *	4/2008	Crevling, Jr. D32/23
D577,164 S	9/2008	Williams et al.

(Continued)

FOREIGN PATENT DOCUMENTS

CA	ID87833 S	10/1999
CA	ID89522 S	5/2000

(Continued)

Primary Examiner — Ruth McInroy

(74) *Attorney, Agent, or Firm* — Armstrong Teasdale LLP

(57) **CLAIM**

We claim the ornamental design for a wet/dry vacuum cleaner with handle, as shown and described.

DESCRIPTION

FIG. 1 is a front perspective view of a wet/dry vacuum cleaner with handle showing the new design.

FIG. 2 is a front view thereof.

FIG. 3 is a rear view thereof.

FIG. 4 is a right side view thereof.

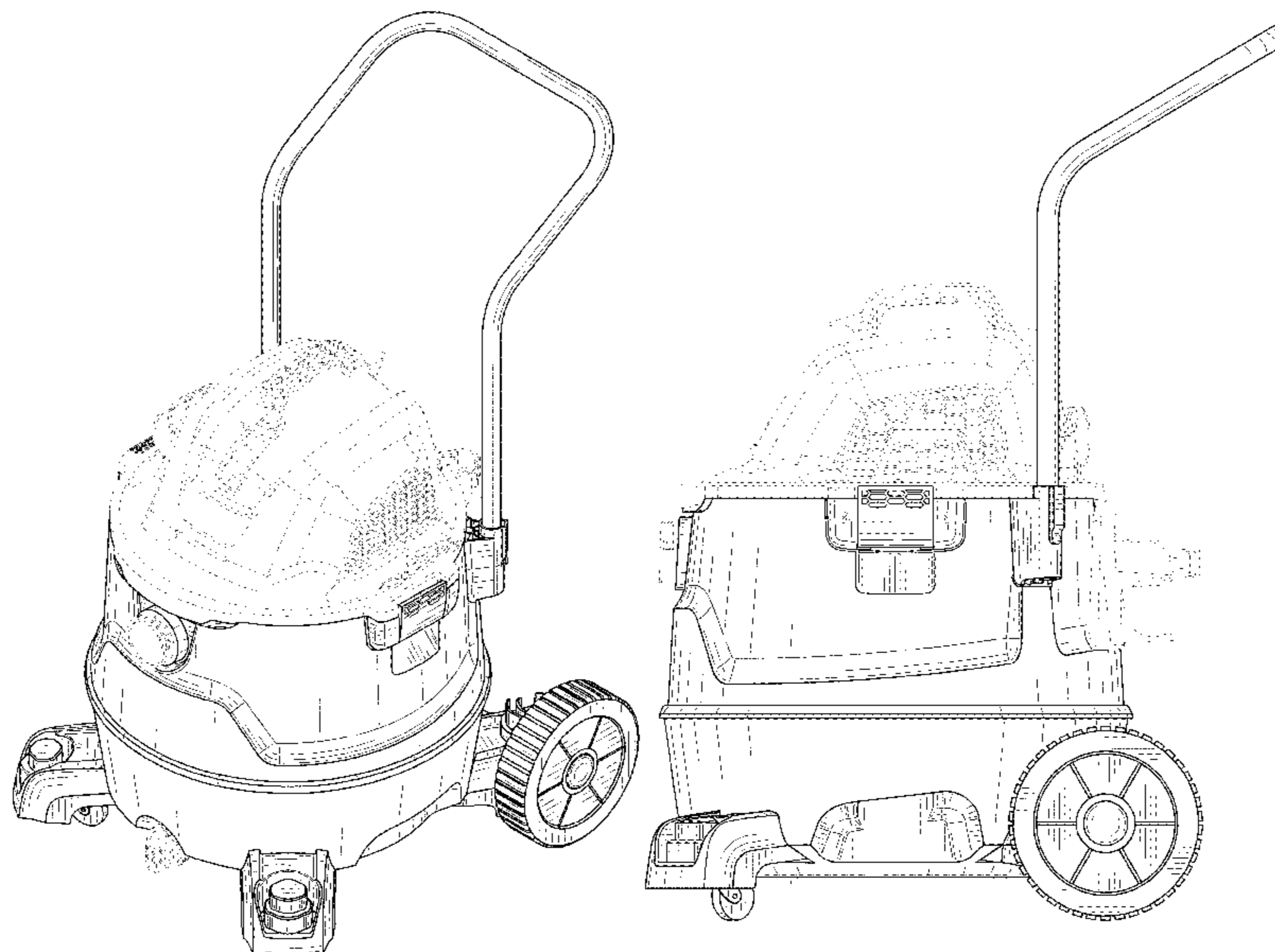
FIG. 5 is a left side view thereof.

FIG. 6 is a top view thereof; and,

FIG. 7 is a bottom view thereof.

The details shown in broken lines form no part of the claimed design.

1 Claim, 7 Drawing Sheets



(56)

References Cited

U.S. PATENT DOCUMENTS

D580,115 S 11/2008 Theising et al.
 D581,111 S * 11/2008 DiPasquale D32/21
 D587,868 S * 3/2009 DiPasquale D32/21
 D595,910 S 7/2009 Hollis et al.
 D596,359 S 7/2009 Hollis et al.
 D614,369 S 4/2010 Theising et al.
 D615,258 S * 5/2010 Dammkoehler D32/23
 D615,259 S 5/2010 Theising et al.
 D617,514 S 6/2010 Hollis et al.
 D618,870 S 6/2010 Williams et al.
 D634,494 S 3/2011 Theising et al.
 D647,260 S 10/2011 Hollis et al.
 D647,261 S 10/2011 Schultz et al.
 D655,872 S * 3/2012 Jin D32/21
 D657,101 S 4/2012 Williams et al.
 D660,529 S * 5/2012 Dammkoehler D32/21
 D666,369 S 8/2012 Williams et al.
 D669,646 S 10/2012 Theising et al.
 D670,046 S 10/2012 Theising et al.
 D670,048 S 10/2012 Theising et al.
 D675,388 S * 1/2013 Buck D32/21
 D676,205 S 2/2013 Theising et al.
 D740,504 S 10/2015 Williams et al.
 D743,655 S 11/2015 Holsten et al.
 9,271,620 B2 * 3/2016 Meredith A47L 5/365
 D806,332 S * 12/2017 Griffin D32/21

FOREIGN PATENT DOCUMENTS

CA ID89523 S 5/2000
 CA ID90731 S 10/2000

* cited by examiner

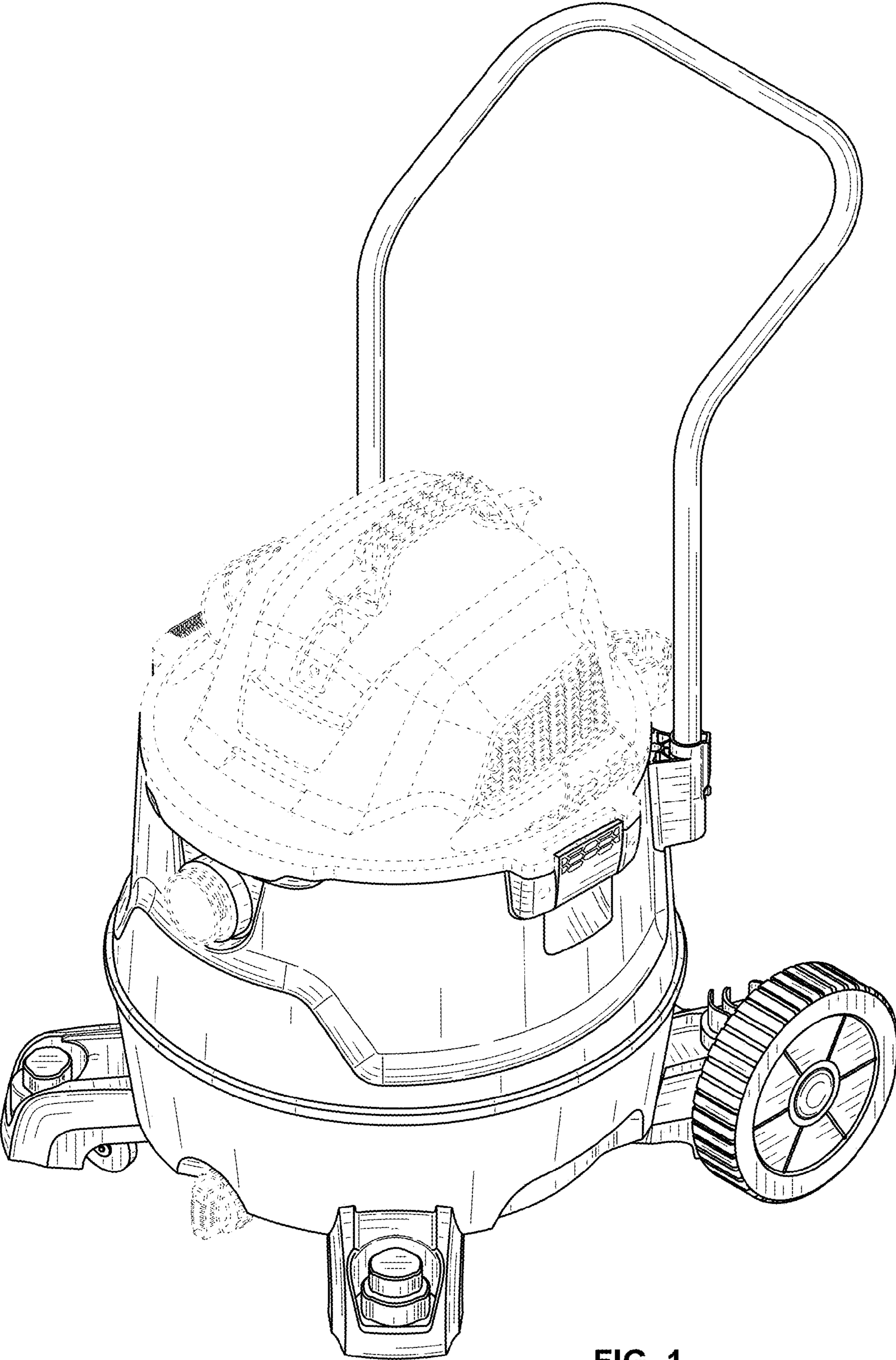


FIG. 1

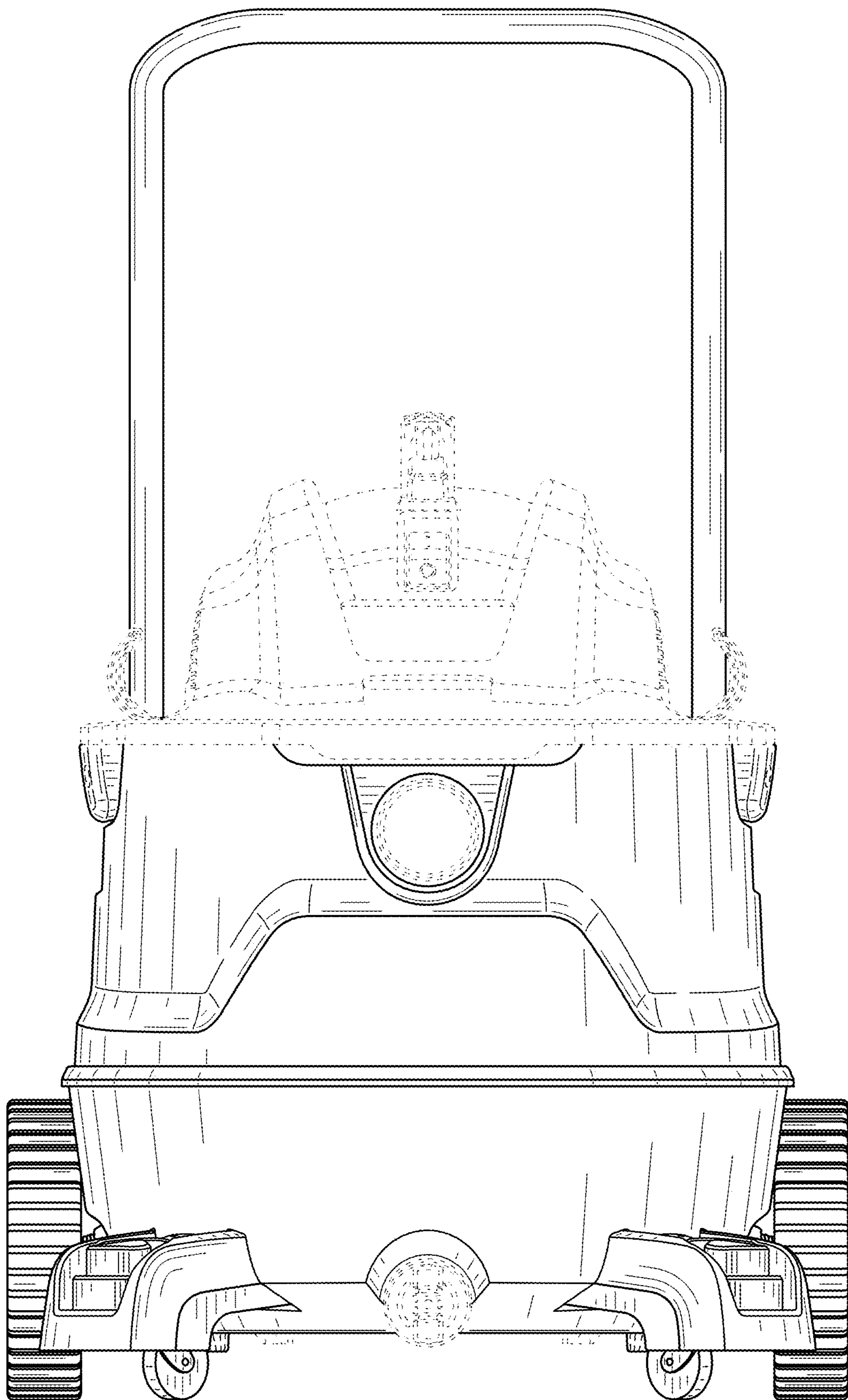


FIG. 2

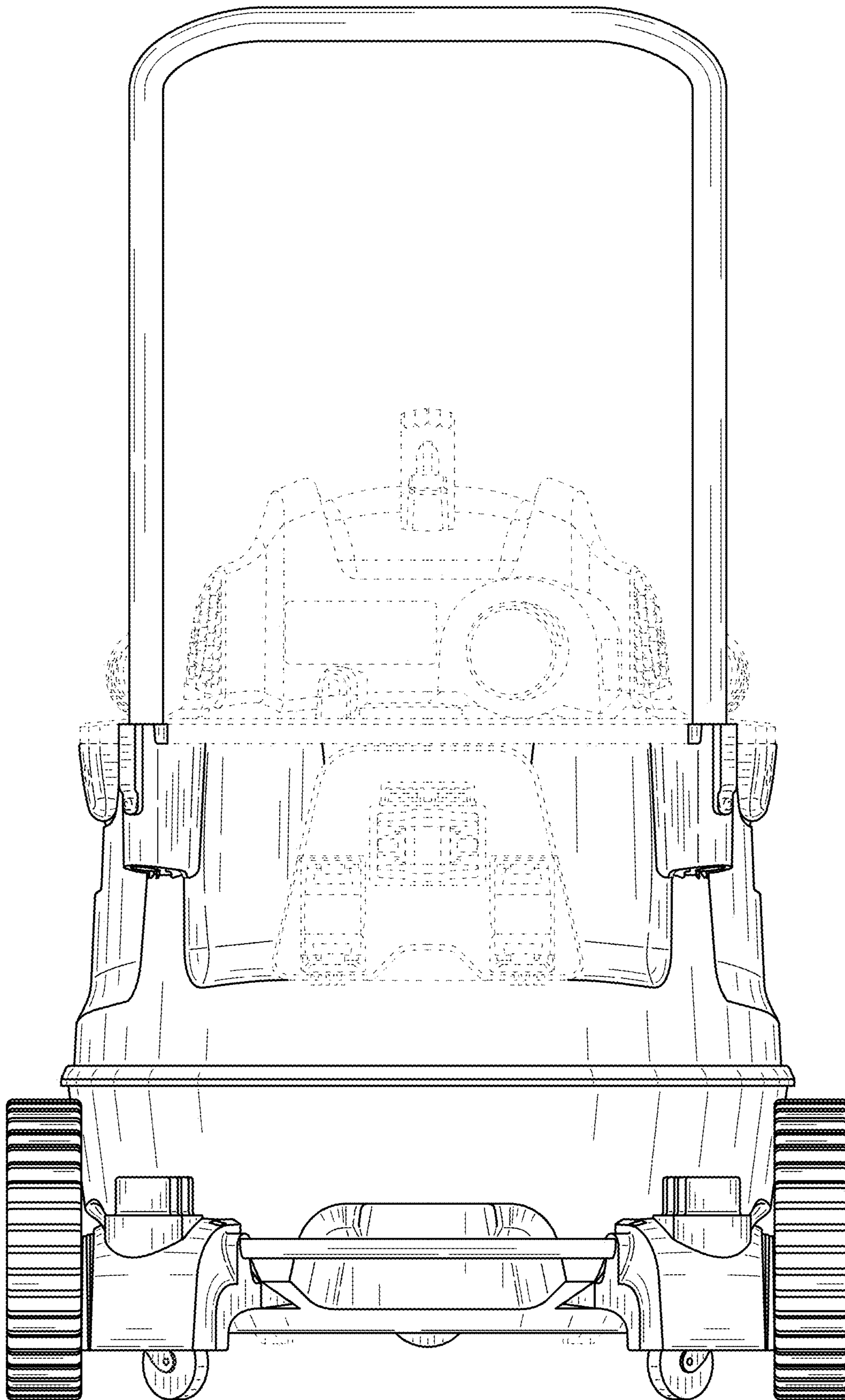


FIG. 3

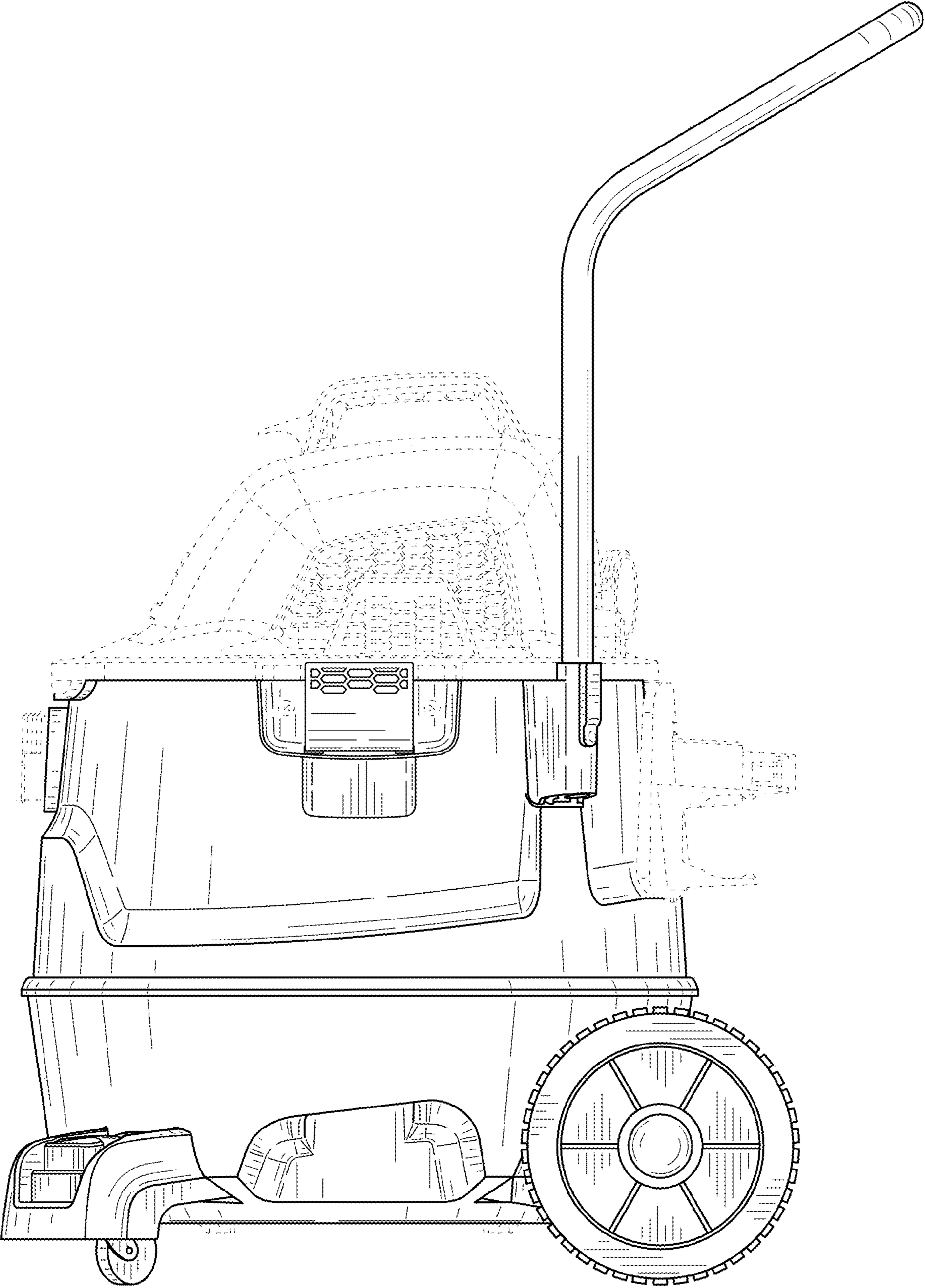


FIG. 4

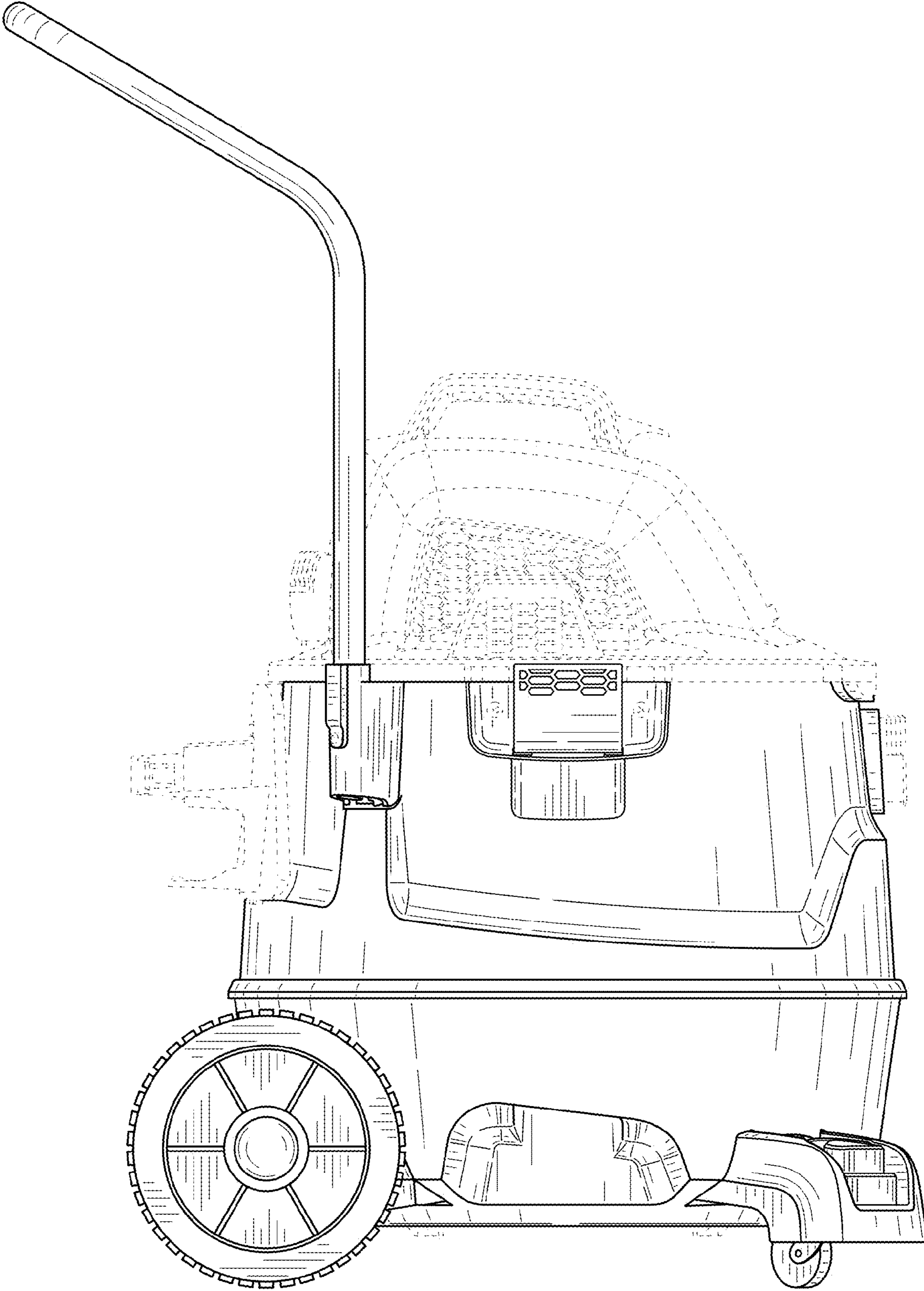


FIG. 5

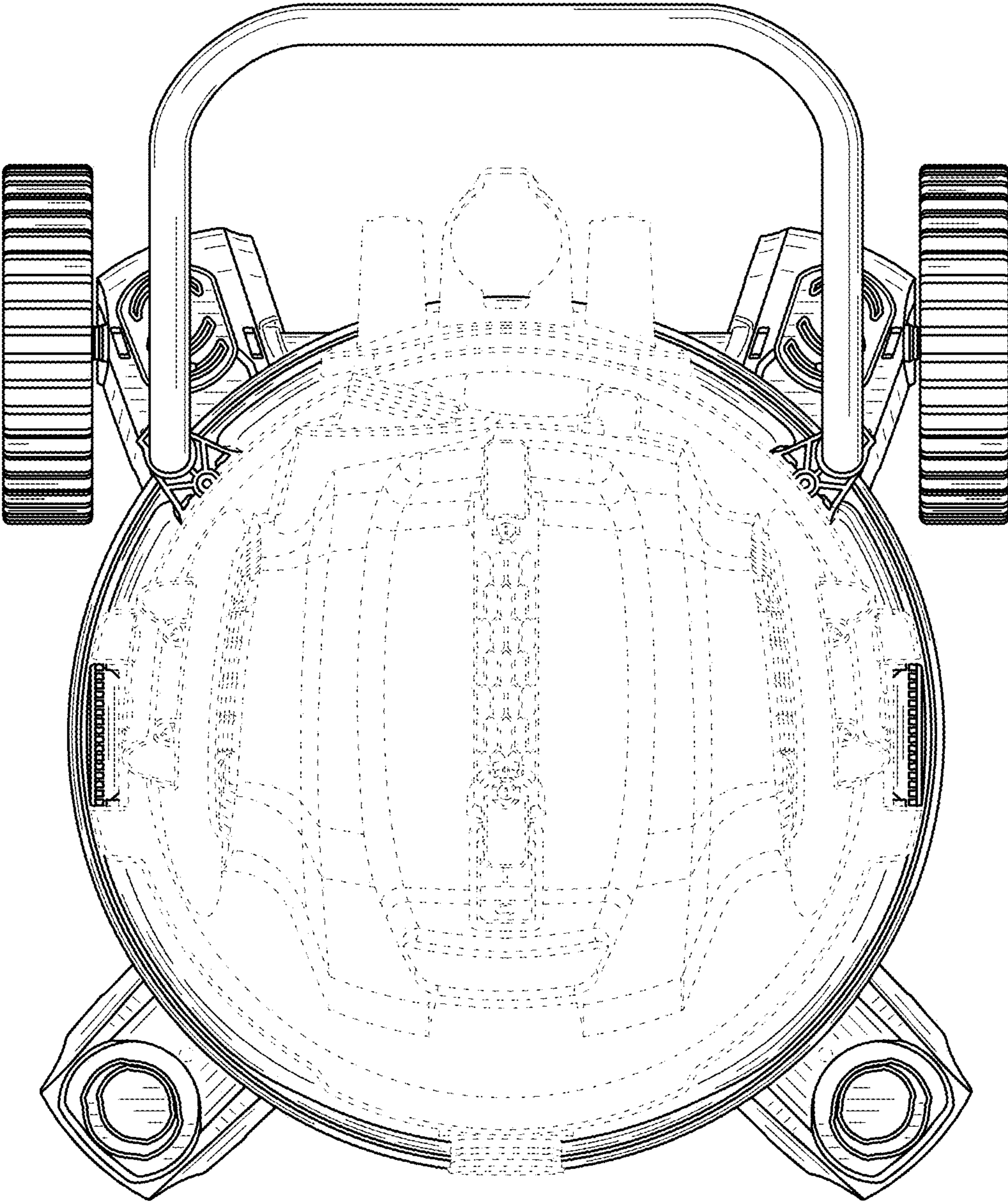


FIG. 6

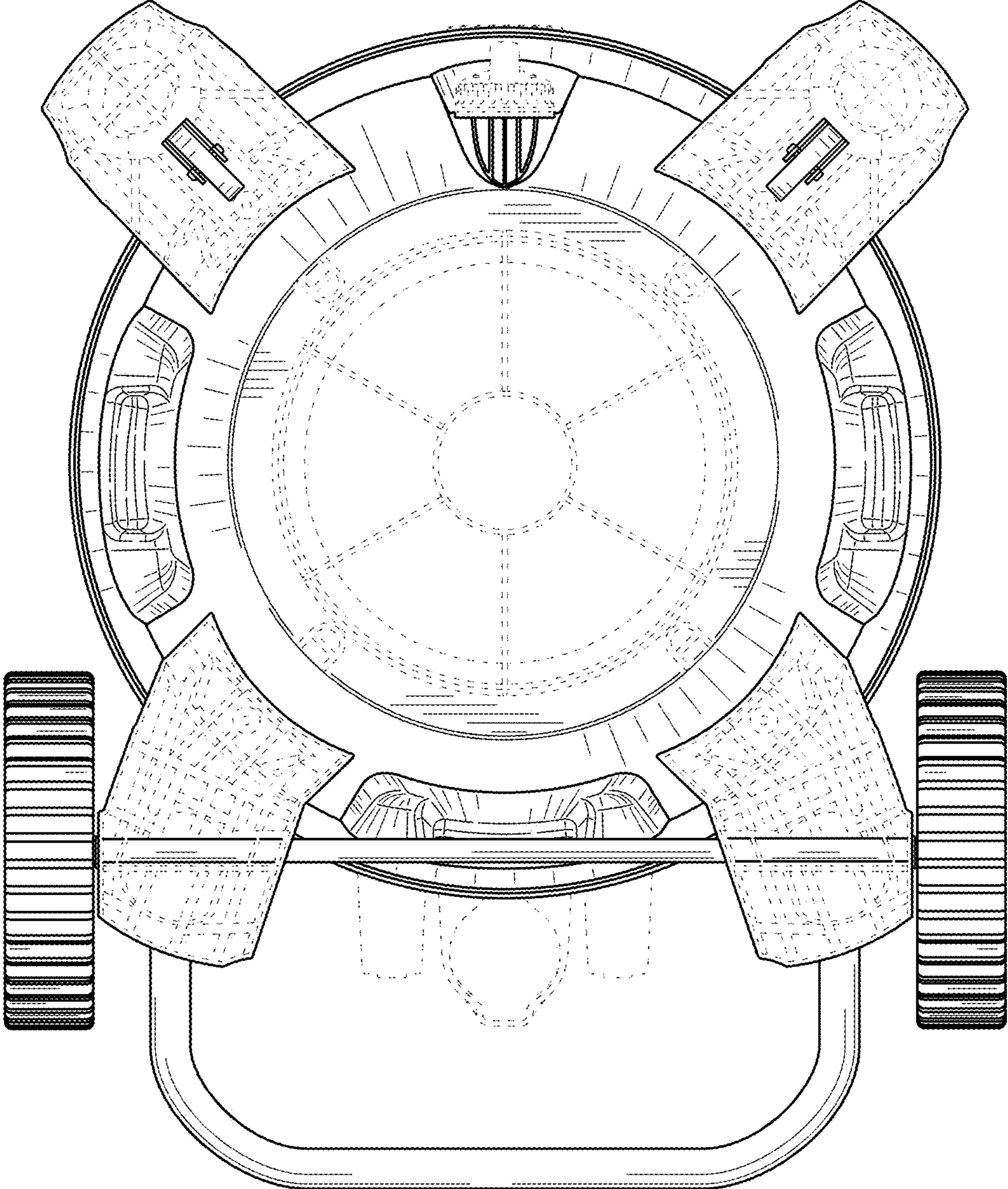


FIG. 7