



US00D875324S

(12) **United States Design Patent** (10) **Patent No.:** **US D875,324 S**
Gevaert (45) **Date of Patent:** **** Feb. 11, 2020**

(54) **FEEDER FOR ANIMALS**

(71) Applicant: **MP GROUP NV**, Izegem (BE)

(72) Inventor: **Sabine Gevaert**, Bredene (BE)

(**) Term: **15 Years**

(21) Appl. No.: **35/505,341**

(22) Filed: **May 24, 2018**

(80) **Hague Agreement Data**

Int. Filing Date: **May 24, 2018**

Int. Reg. No.: **DM/101856**

Int. Reg. Date: **May 24, 2018**

Int. Reg. Pub. Date: **Jul. 20, 2018**

(51) **LOC (12) Cl.** **30-07**

(52) **U.S. Cl.**
USPC **D30/121**

(58) **Field of Classification Search**
USPC D30/121, 122, 123, 129, 130, 132, 133;
D7/566, 587; D21/340

CPC A01K 5/0114
See application file for complete search history.

(56) **References Cited**

U.S. PATENT DOCUMENTS

4,721,063 A * 1/1988 Atchley A01K 5/0114
119/52.1
D406,924 S * 3/1999 Kolozsvari D30/121
D455,526 S * 4/2002 Chrisco D30/121
7,146,930 B1 * 12/2006 Ness A01K 7/02
119/77
7,895,973 B1 * 3/2011 Whelan A01K 5/025
119/51.02
D637,769 S * 5/2011 Weber D30/129
D703,392 S * 4/2014 Desberg D30/121
D751,774 S * 3/2016 Allen D30/122
D840,115 S * 2/2019 Nieves D30/122
D846,815 S * 4/2019 Darkwah D30/132
2010/0122660 A1 * 5/2010 Willett A01K 5/0142
119/51.5
2013/0269620 A1 * 10/2013 Qiu A01K 5/0135
119/56.1

OTHER PUBLICATIONS

“Savic Loop Water Dispenser”. Found online Apr. 19, 2019 at zooplus.com. Page dated Dec. 30, 2017. Retrieved from https://www.zooplus.com/shop/dogs/dog_bowls_feeders/water_fountains/more/635790.*

“Ferplast Azimut Cat and Dog Water and Food Dispenser”. Found online Apr. 19, 2019 at amazon.co.uk. Page dated Nov. 20, 2013. Retrieved from https://www.amazon.co.uk/...g=u745E&pf_rd_p=18edf98b-139a-41ee-bb40-d725dd59d1d3&pf_rd_r=RKMZXA2X4DTCYHQY6DMH&pvc=1&refRID=RKMZXA2X4DTCYHQY6DMH.*

“Trixie Food and Water Dispenser”. Found online Apr. 19, 2019 at amazon.co.uk. Page dated Jun. 4, 2014. Retrieved from https://www.amazon.co.uk/...=luXBN&pf_rd_p=18edf98b-139a-41ee-bb40-d725dd59d1d3&pf_rd_r=WNXPMV6QS79G7SD1PWEQ&pvc=1&refRID=WNXPMV6QS79G7SD1PWEQ.*

“Digifex Automatic Pet Food Water Dispenser”. Found online Apr. 19, 2019 at amazon.co.uk. Page dated Sep. 24, 2014. Retrieved from https://www.amazon.co.uk/...pd_rd_wg=9dPkl&pf_rd_p=18edf98b-139a-41ee-bb40-d725dd59d1d3&pf_rd_r=93DD9JE5CJ63QNWN4YFB&pvc=1&refRID=93DD9JE5CJ63QNWN4YFB.*

* cited by examiner

Primary Examiner — Kendra Leslie Hamilton

(57) **CLAIM**

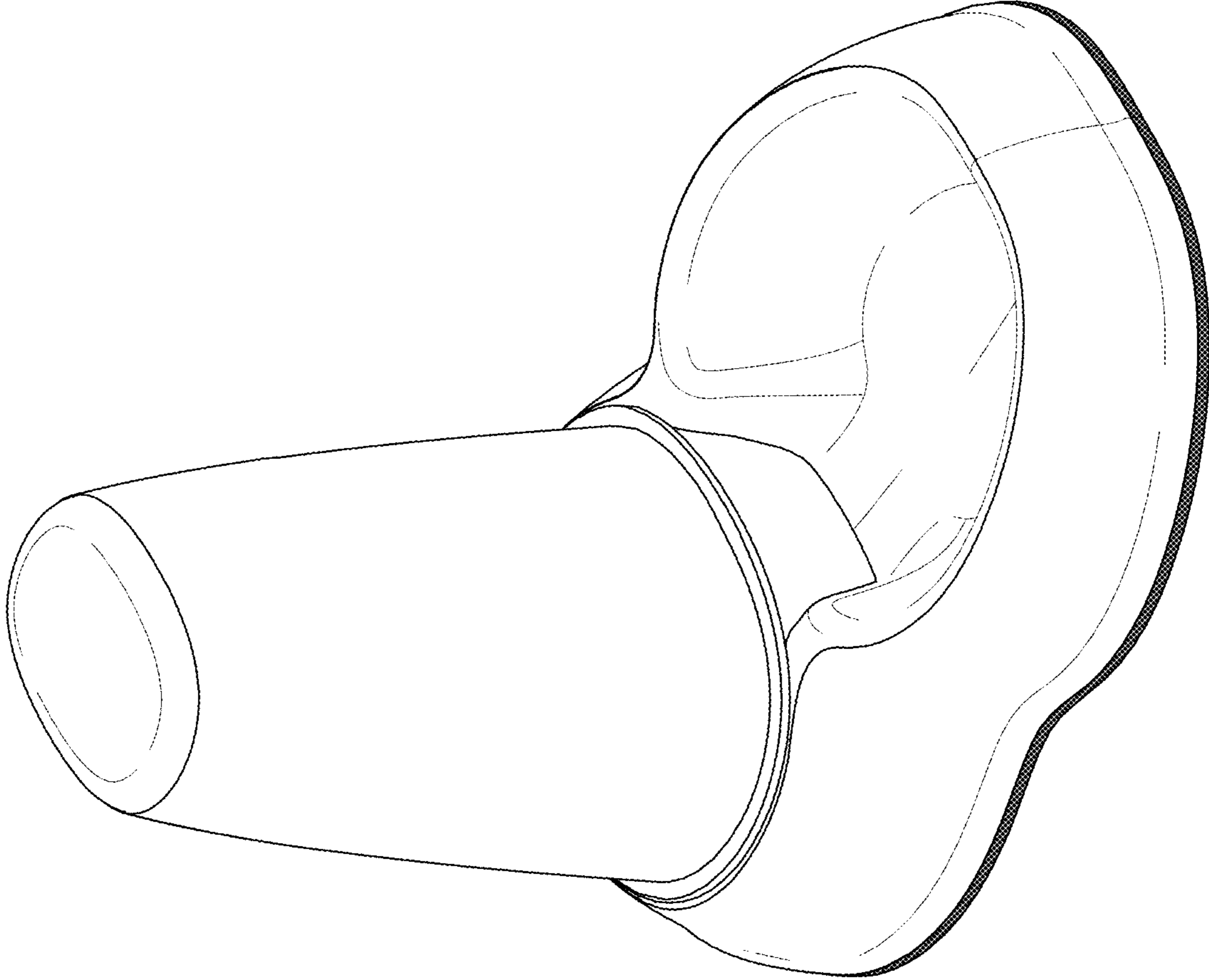
The ornamental design for a feeder for animals, as shown and described.

DESCRIPTION

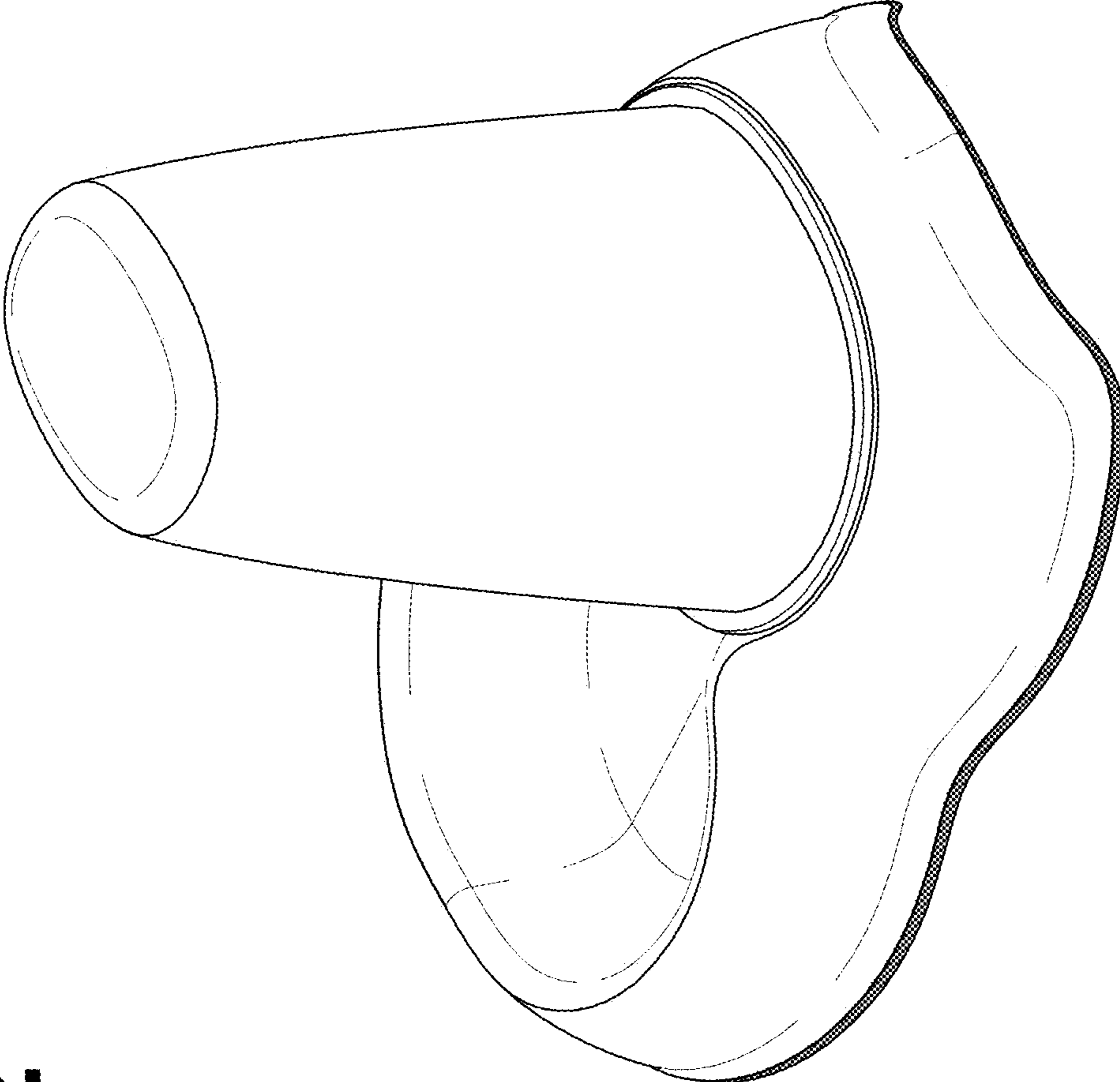
- 1. Feeder for animals
- 1.1 : Perspective
- 1.2 : Top
- 1.3 : Front
- 1.4 : Right
- 1.5 : Perspective

1 Claim, 5 Drawing Sheets



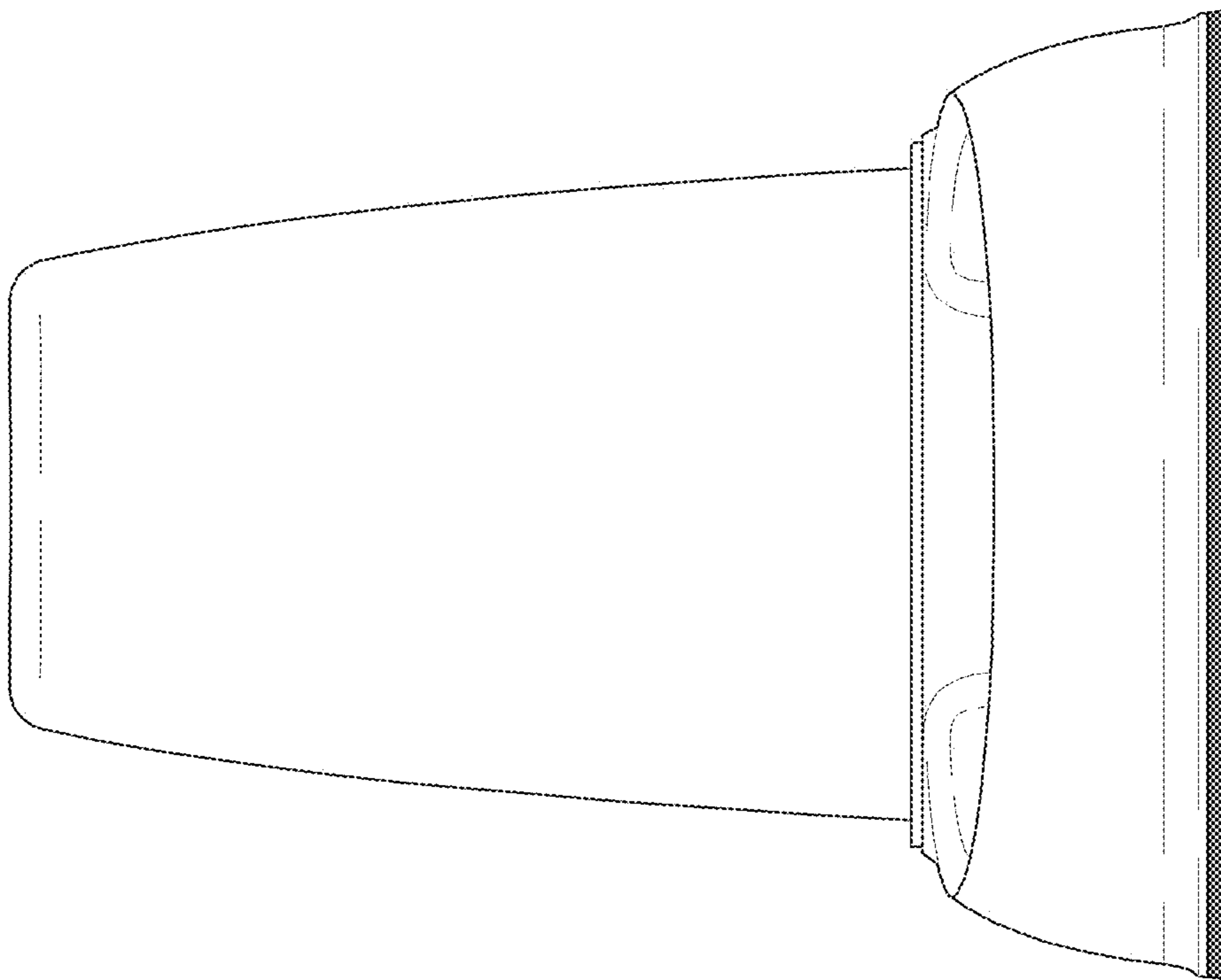


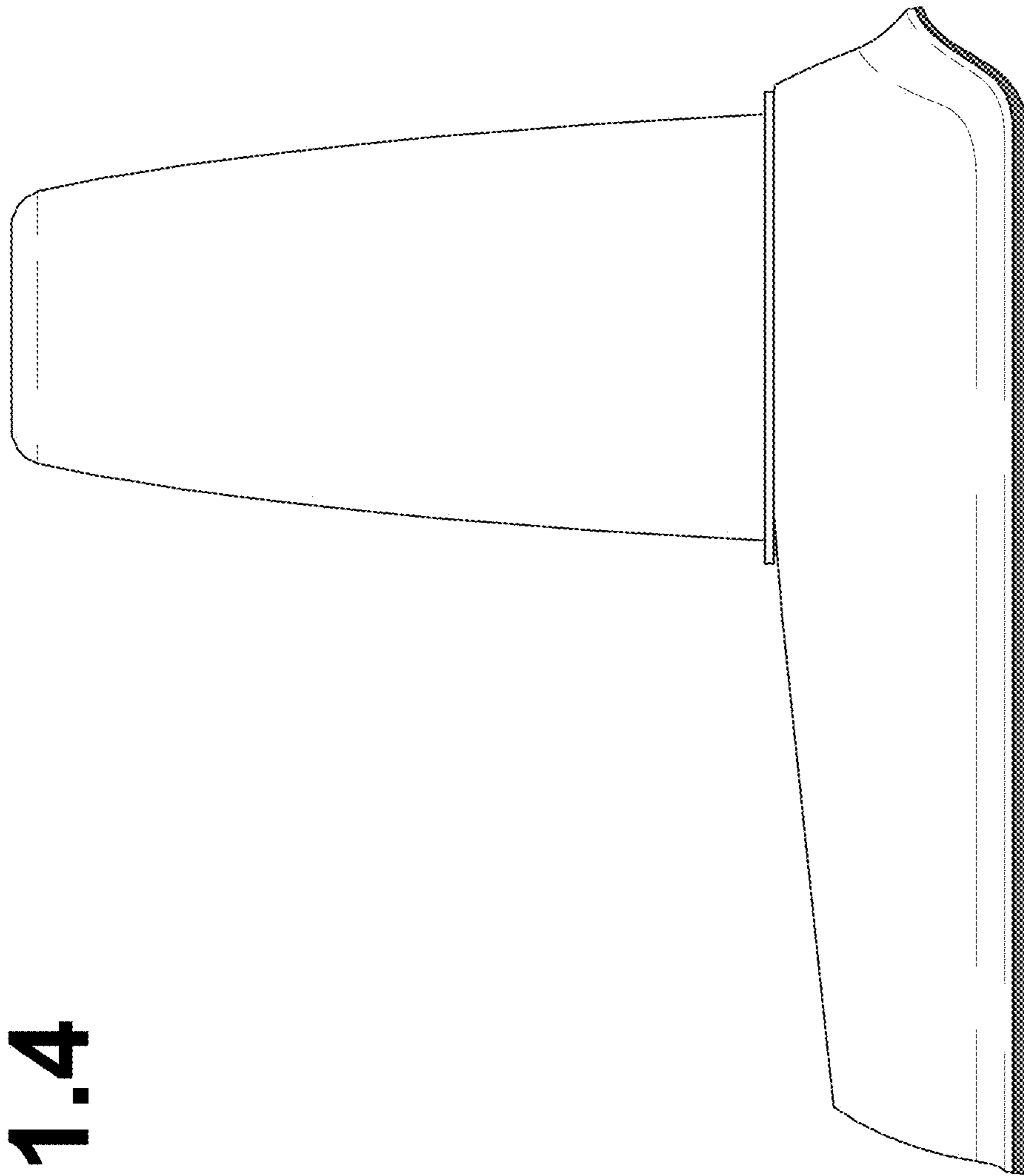
1.1



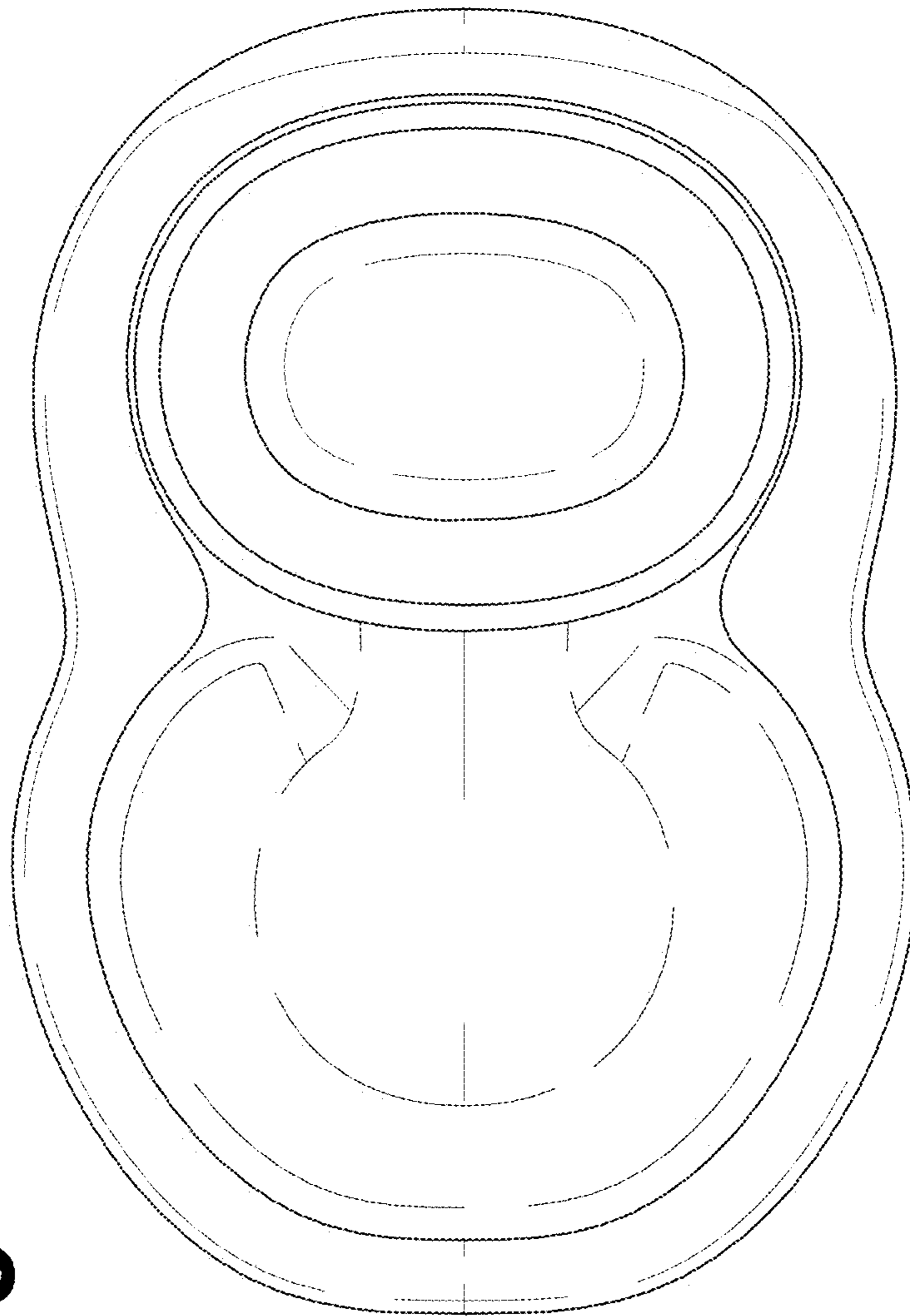
1.2

1.3





1.4



1.5