



US00D875323S

(12) **United States Design Patent**
Chen

(10) **Patent No.:** **US D875,323 S**

(45) **Date of Patent:** **** Feb. 11, 2020**

(54) **FIRE EXTINGUISHER MOUNT BRACKET**

D823,549 S * 7/2018 Bennett D29/130

(71) Applicant: **Guangzhou Baoyi Network Technology Co., Ltd.**, Guangzhou (CN)

* cited by examiner

(72) Inventor: **Dongjing Chen**, Guangdong (CN)

Primary Examiner — Randall H Gholson

(74) *Attorney, Agent, or Firm* — ZANIP

(**) Term: **15 Years**

(57) **CLAIM**

(21) Appl. No.: **29/707,075**

The ornamental design for a fire extinguisher mount bracket, as shown and described.

(22) Filed: **Sep. 25, 2019**

DESCRIPTION

(51) **LOC (12) Cl.** **29-01**

(52) **U.S. Cl.**
USPC **D29/130**

(58) **Field of Classification Search**
USPC D29/125, 126, 129, 130; D8/394–396
CPC A47K 1/08; F16B 45/00; E04G 21/32;
H04N 17/00

FIG. 1 is a front and top perspective view of a fire extinguisher mount bracket, showing my new design; FIG. 2 is a rear and bottom perspective view thereof; FIG. 3 is a front elevational view thereof; FIG. 4 is a rear elevational view thereof; FIG. 5 is a left side elevational view thereof; FIG. 6 is a right side elevational view thereof; FIG. 7 is a top plan view thereof; and, FIG. 8 is a bottom plan view thereof.

See application file for complete search history.

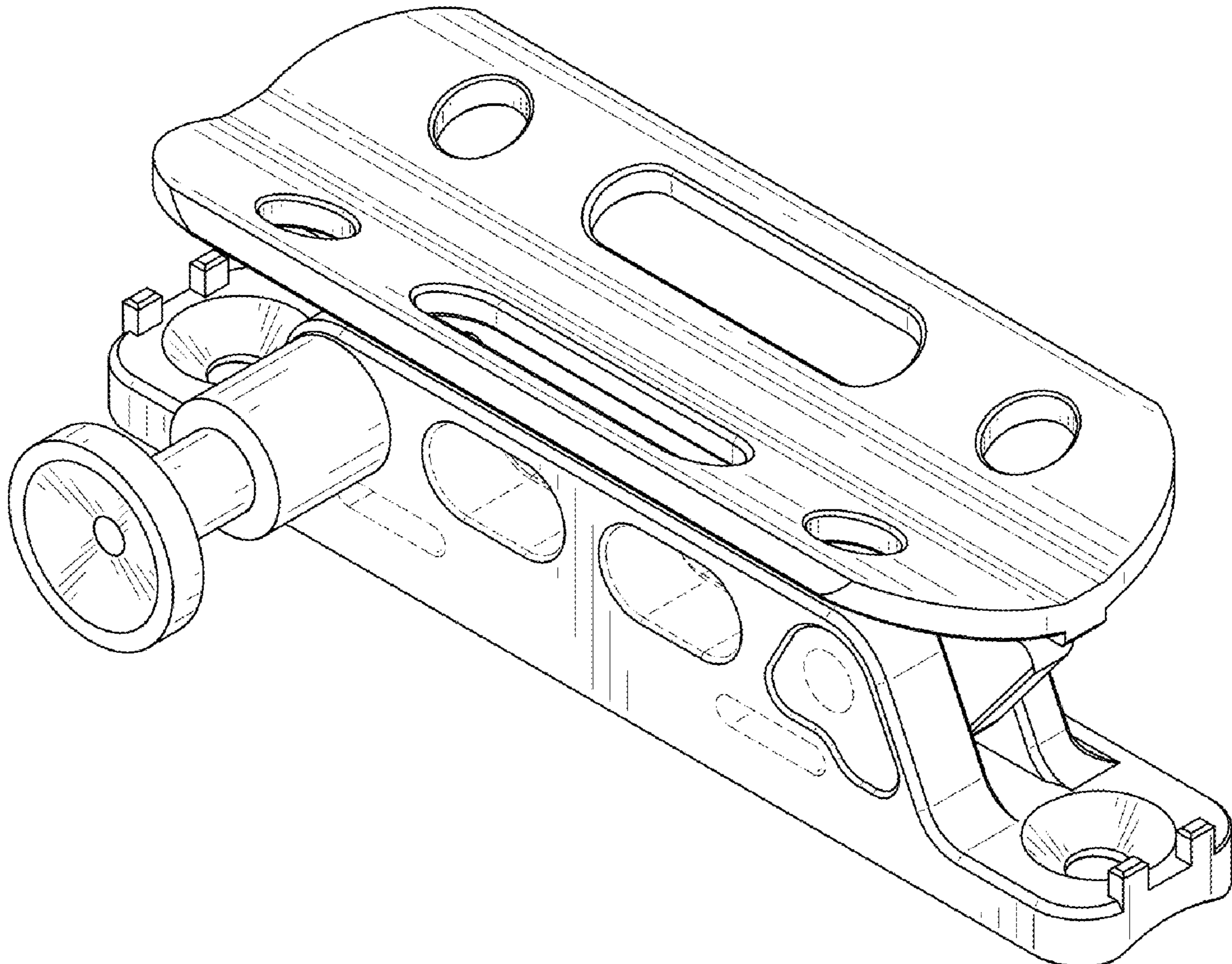
The broken lines in the figures illustrate portions of the fire extinguisher mount bracket that form no part of the claimed design.

(56) **References Cited**

U.S. PATENT DOCUMENTS

9,476,541 B1 * 10/2016 Kastner F16M 13/02
D777,020 S * 1/2017 Zlatic D8/394
D782,745 S 3/2017 Childs et al.

1 Claim, 8 Drawing Sheets



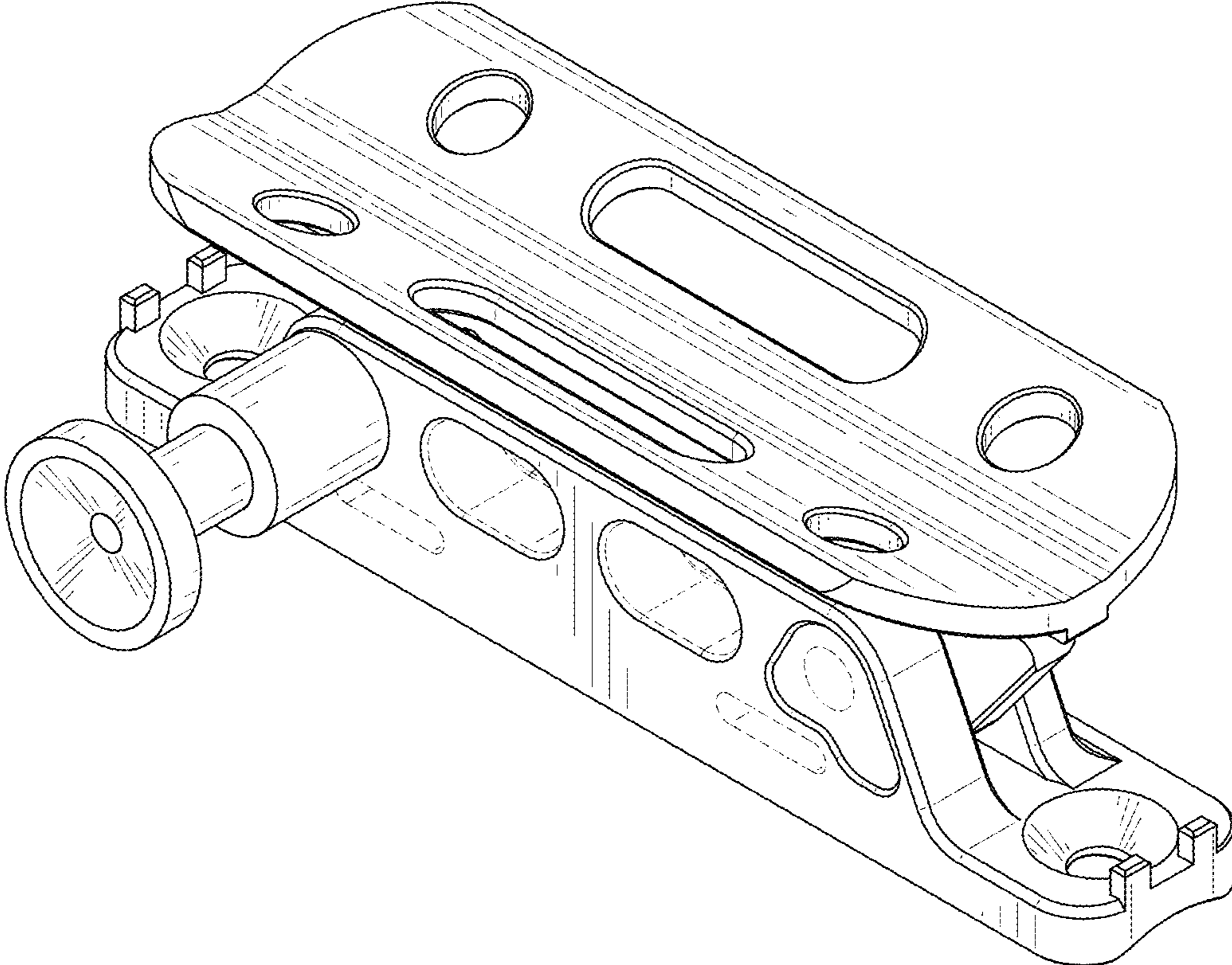


FIG. 1

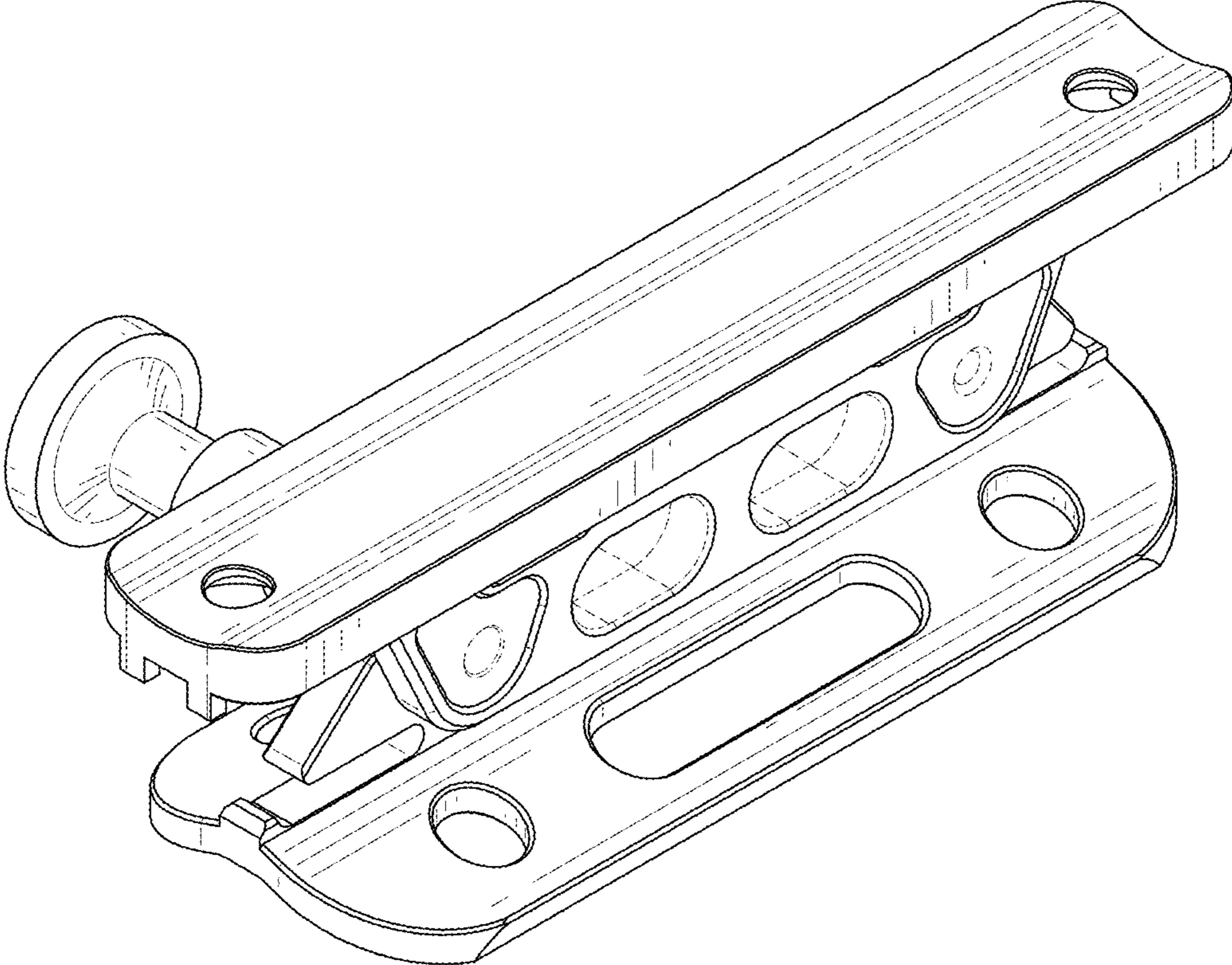


FIG. 2

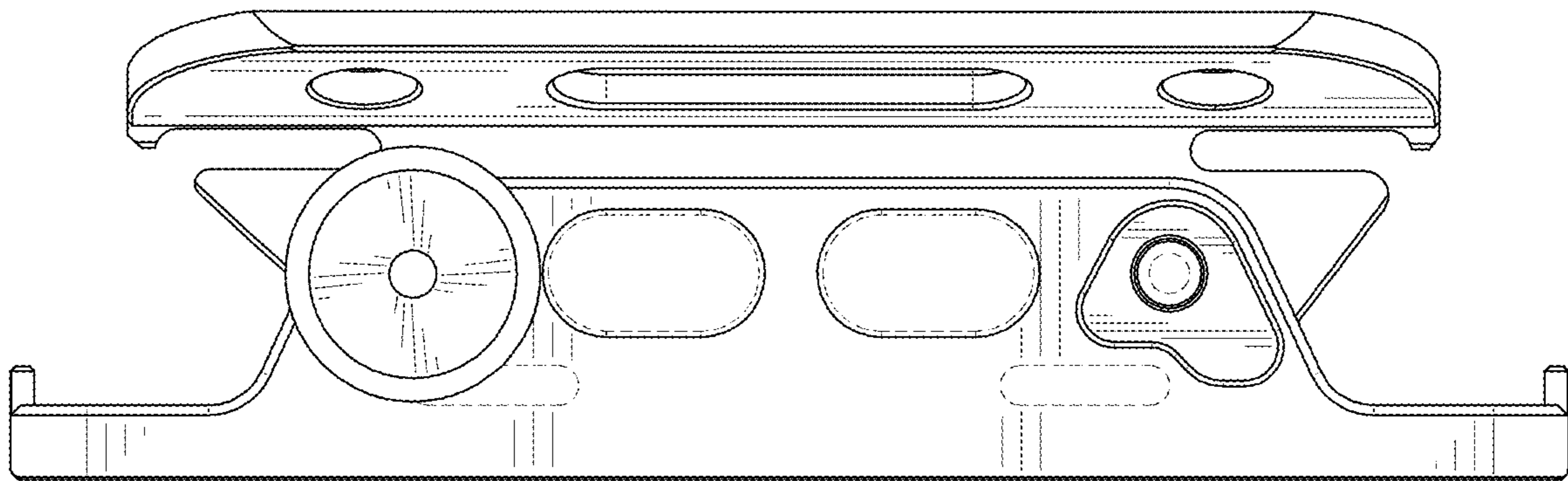


FIG. 3

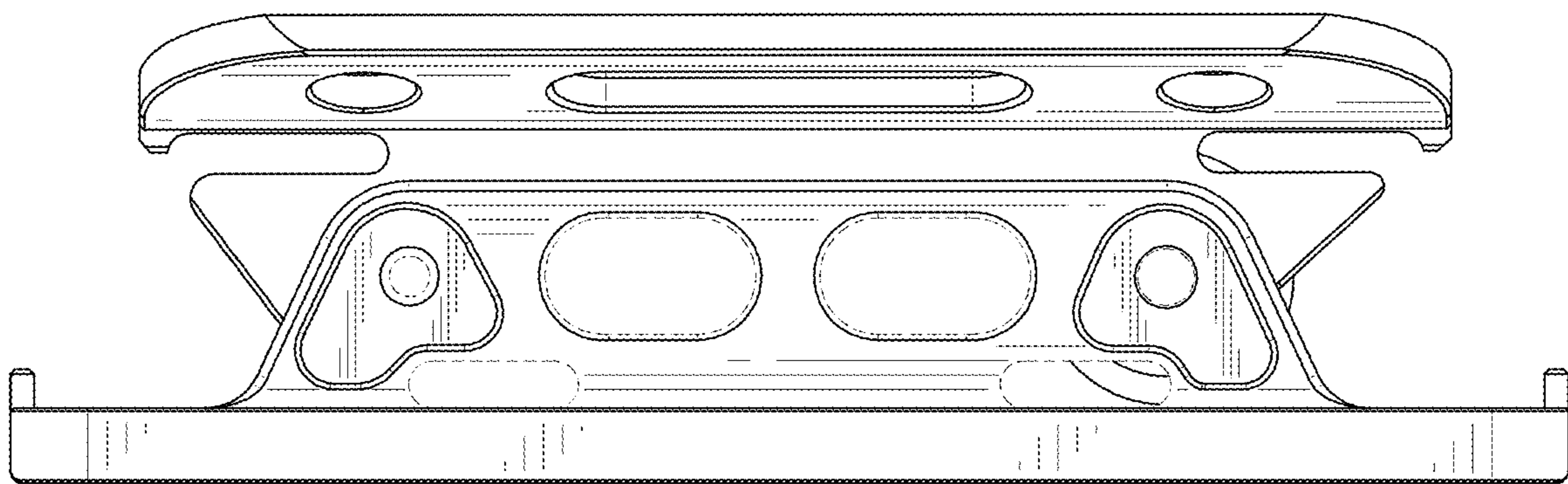


FIG. 4

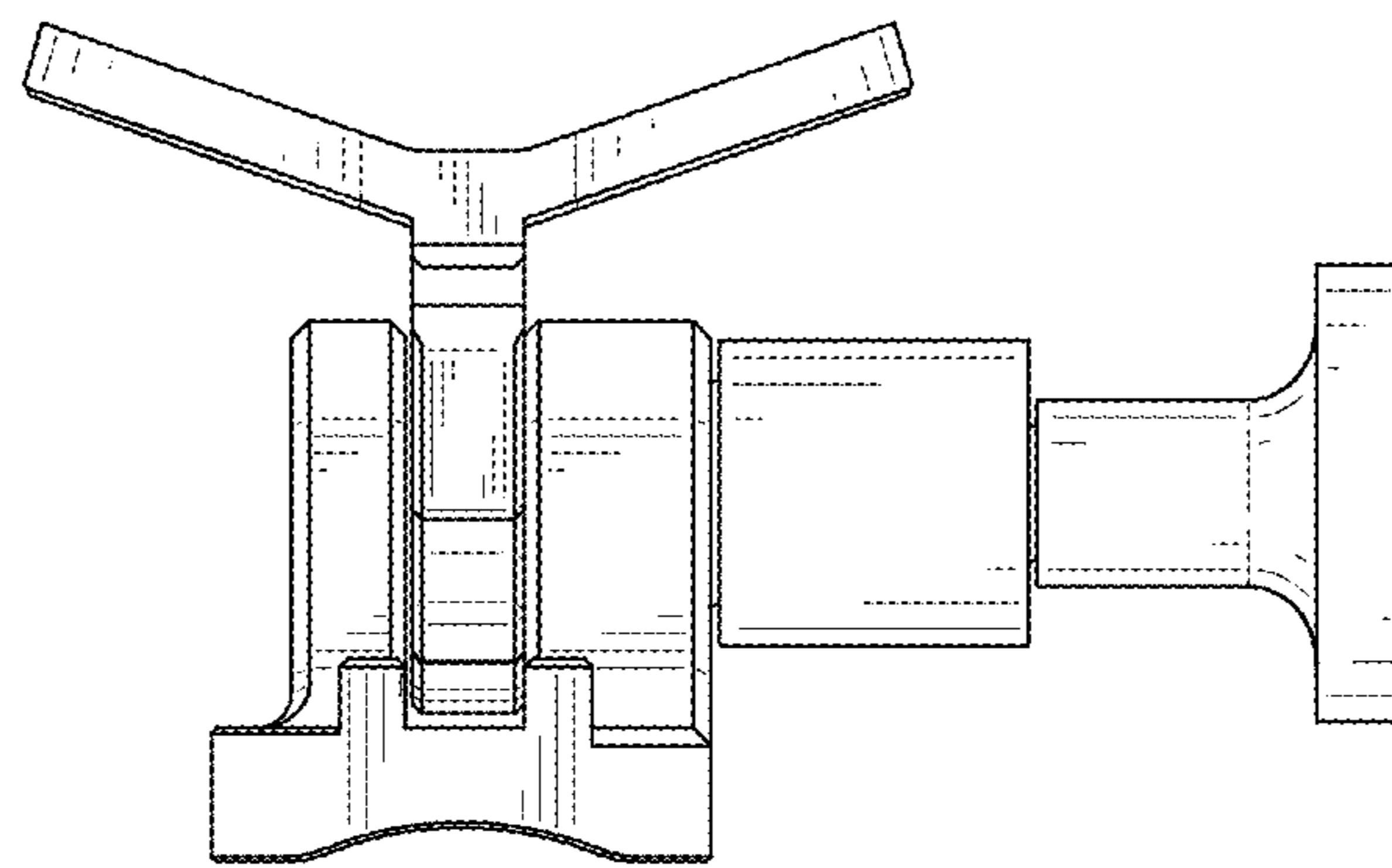


FIG. 5

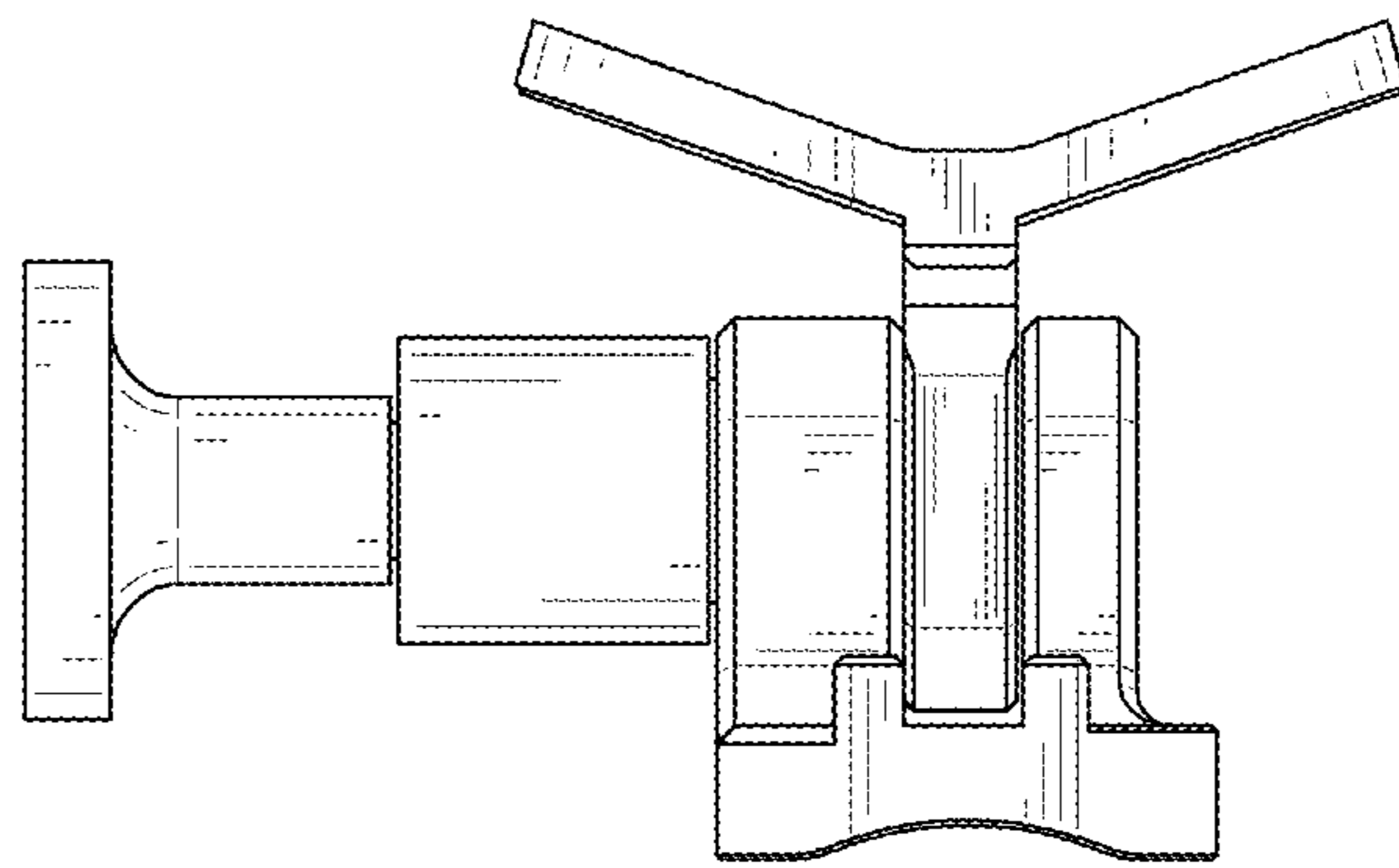


FIG. 6

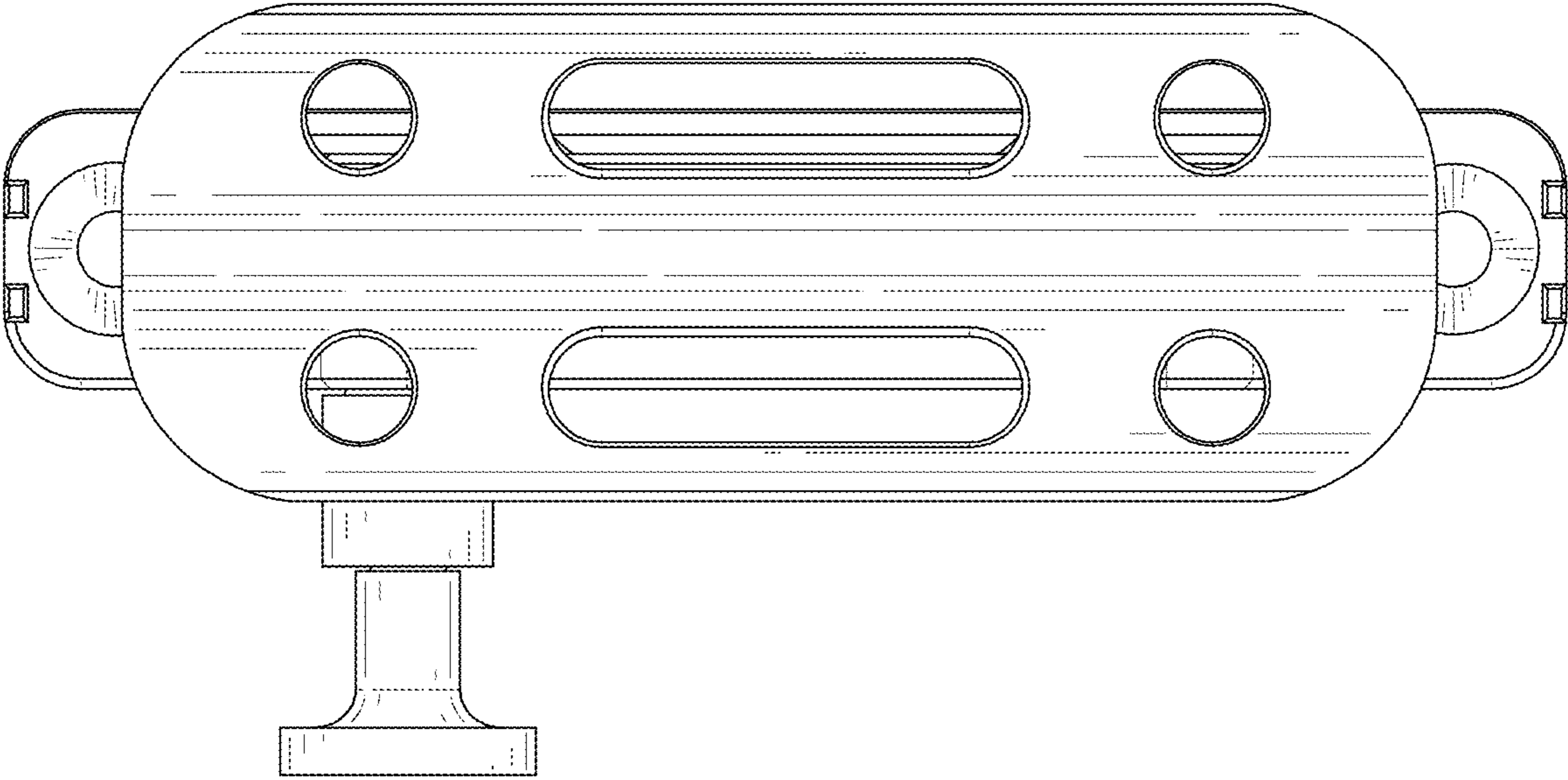


FIG. 7

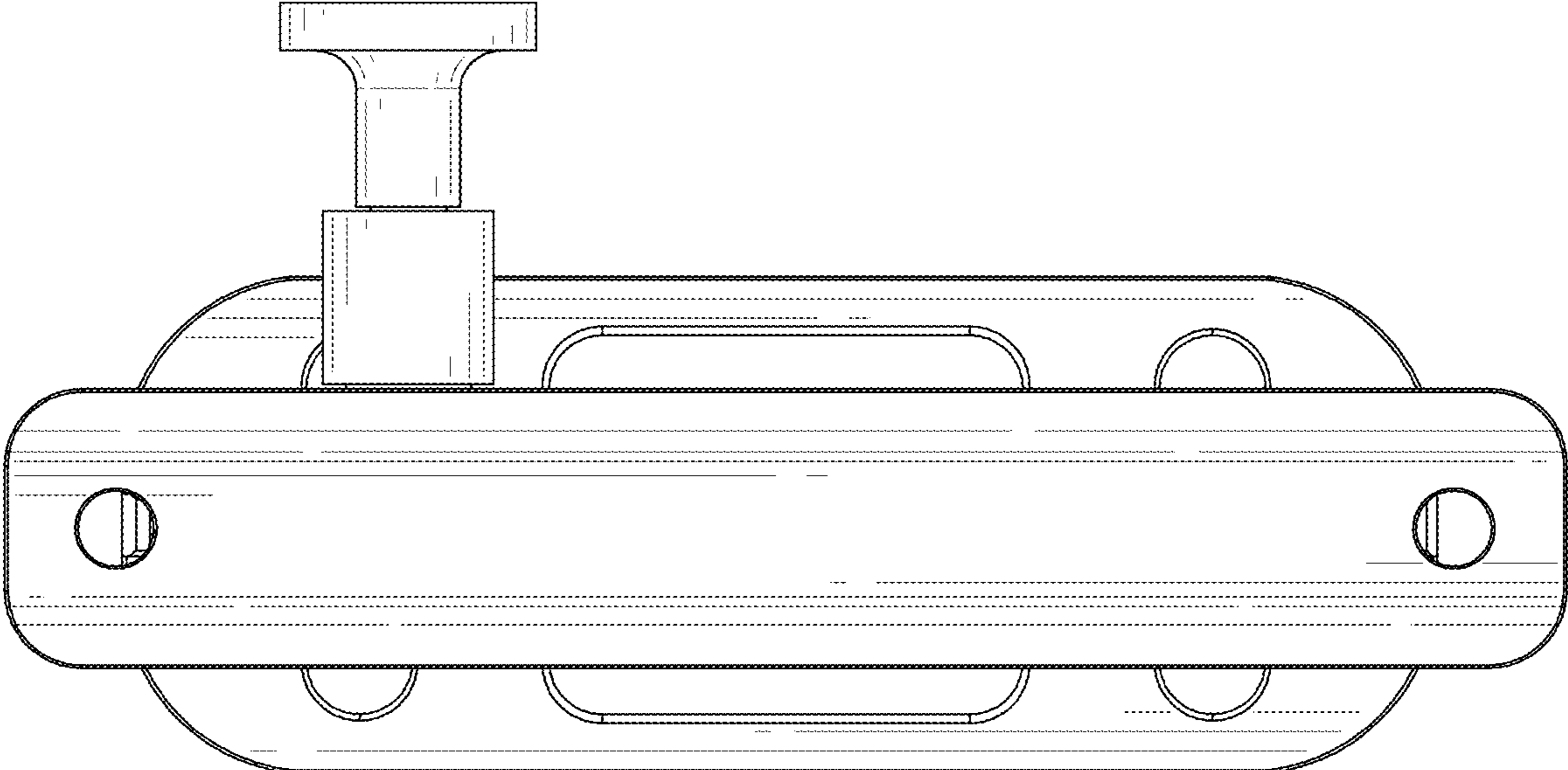


FIG. 8