



US00D875315S

(12) **United States Design Patent**  
**Makabi**

(10) **Patent No.:** **US D875,315 S**

(45) **Date of Patent:** **\*\* Feb. 11, 2020**

- (54) **RAZOR HANDLE**
- (71) Applicant: **Best Buy Imports, Inc.**, Vernon, CA (US)
- (72) Inventor: **Ben Makabi**, Vernon, CA (US)
- (\*\*) Term: **15 Years**
- (21) Appl. No.: **29/644,032**
- (22) Filed: **Apr. 13, 2018**
- (51) **LOC (12) Cl.** ..... **28-03**
- (52) **U.S. Cl.**  
USPC ..... **D28/48**
- (58) **Field of Classification Search**  
USPC ..... D28/46-48, 49-51; D7/395, 401.2  
CPC ... B26B 21/00; B26B 21/08; B26B 21/14-38;  
B26B 21/40; B26B 21/4006; B26B 21/4012-4031; B26B 21/4037; B26B 21/405-4056; B26B 21/4062; B26B 21/4068-4075; B26B 21/48; B26B 21/52-528  
See application file for complete search history.

1,633,139	A *	6/1927	Staats-Oels .....	B26B 21/22 30/50
1,791,552	A *	2/1931	Bigoney .....	B26B 21/16 30/62
1,912,720	A *	6/1933	Page .....	B26B 21/16 30/41
2,028,011	A *	1/1936	Raymond .....	B26B 21/52 30/526
2,033,307	A *	3/1936	Schuster .....	B26B 21/52 30/534
2,129,022	A *	9/1938	Osberghaus .....	B26B 21/28 30/48
D137,220	S *	2/1944	Brownback .....	D28/46
2,547,704	A *	4/1951	Hoberg .....	B26B 21/18 30/60.5
D165,867	S *	2/1952	Rauff .....	D28/46
2,666,982	A *	1/1954	Schroder .....	B26B 21/08 30/31
2,669,777	A *	2/1954	Scully .....	B26B 21/18 30/72
2,670,533	A *	3/1954	Kearney .....	B26B 21/08 30/31
2,680,290	A *	6/1954	Steinberg .....	B26B 21/18 30/41.7
2,807,084	A *	9/1957	Harman .....	B26B 21/22 30/50

(Continued)

*Primary Examiner* — Jennifer Rivard

(74) *Attorney, Agent, or Firm* — Dykema Gossett PLLC

(56) **References Cited**

U.S. PATENT DOCUMENTS

1,018,783	A *	2/1912	Scheuber .....	B26B 21/30 30/58
1,271,352	A *	7/1918	Mulder .....	B26B 21/16 30/69
1,366,468	A *	1/1921	King .....	B26B 21/36 30/46
1,548,471	A *	8/1925	Kepka .....	B26B 21/30 30/58
1,579,459	A *	4/1926	Von Hammerstein .....	B26B 21/20 30/74.1
1,624,707	A *	4/1927	Alland .....	B26B 21/34 30/60

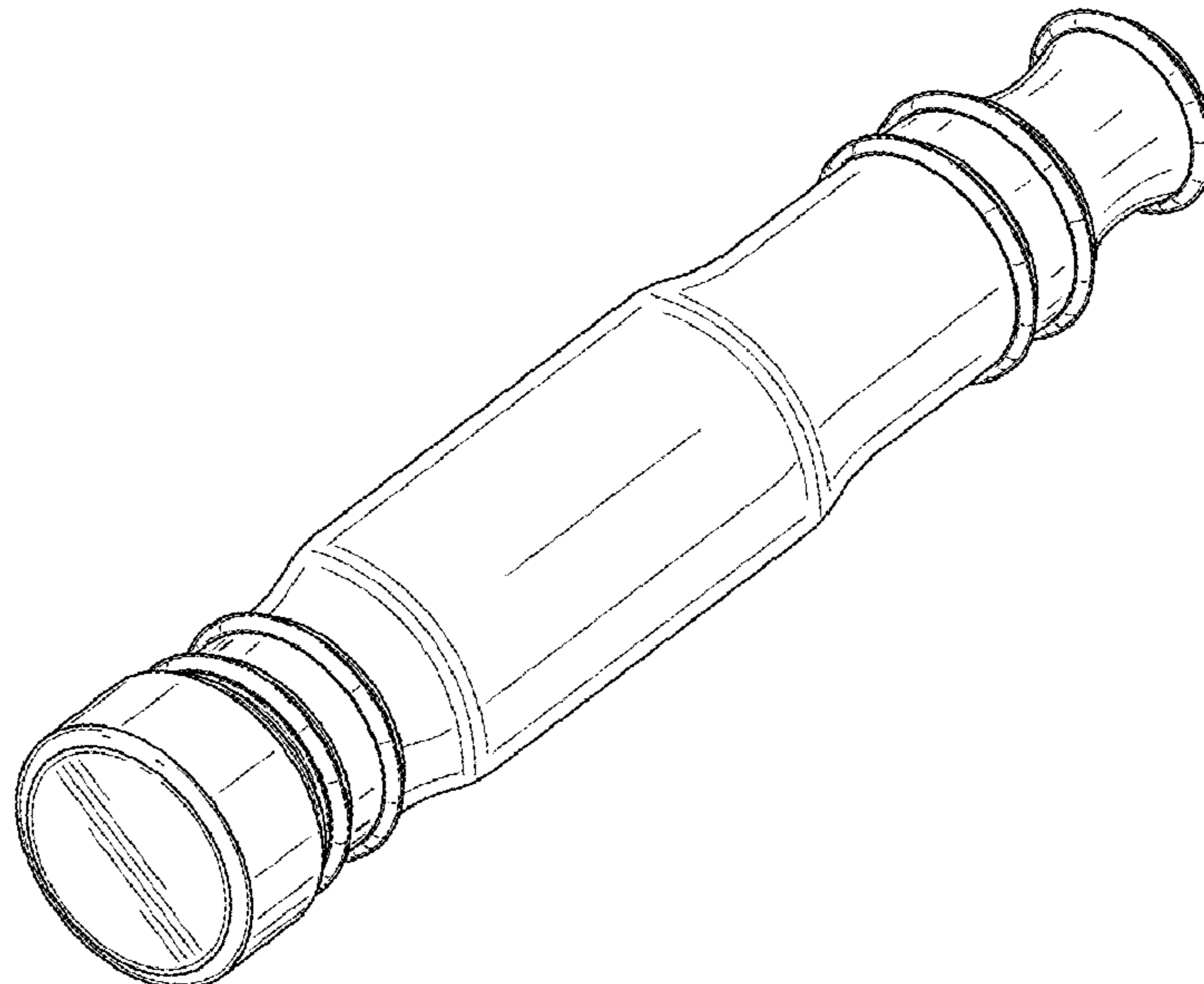
(57) **CLAIM**

The ornamental design for a razor handle, as shown and described.

**DESCRIPTION**

FIG. 1 is a perspective view of a razor handle showing my new and ornamental design,  
FIG. 2 is a side view thereof, all side views being identical,  
FIG. 3 is a top end view thereof; and,  
FIG. 4 is a bottom end view thereof.

**1 Claim, 1 Drawing Sheet**



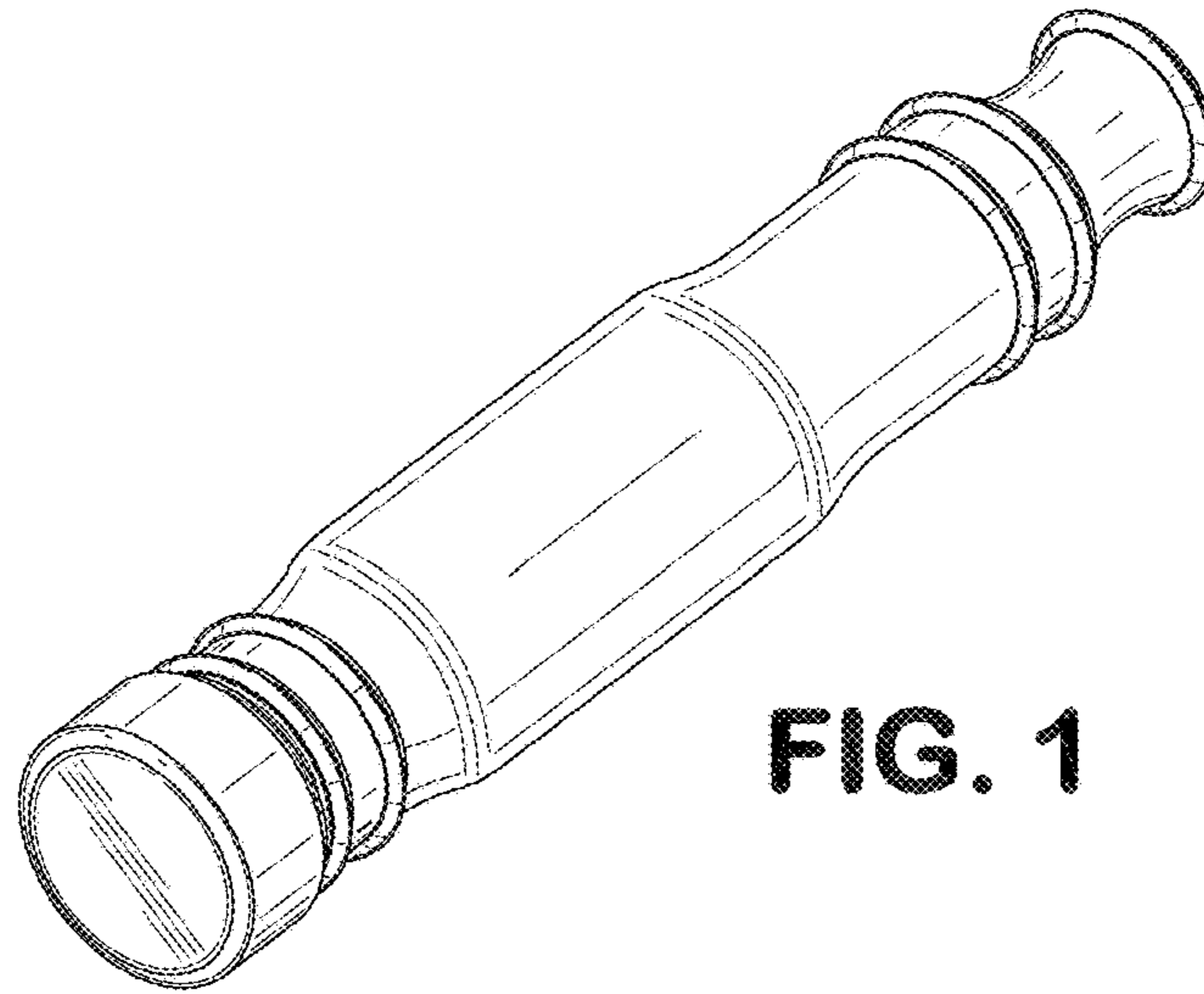
(56)

**References Cited**

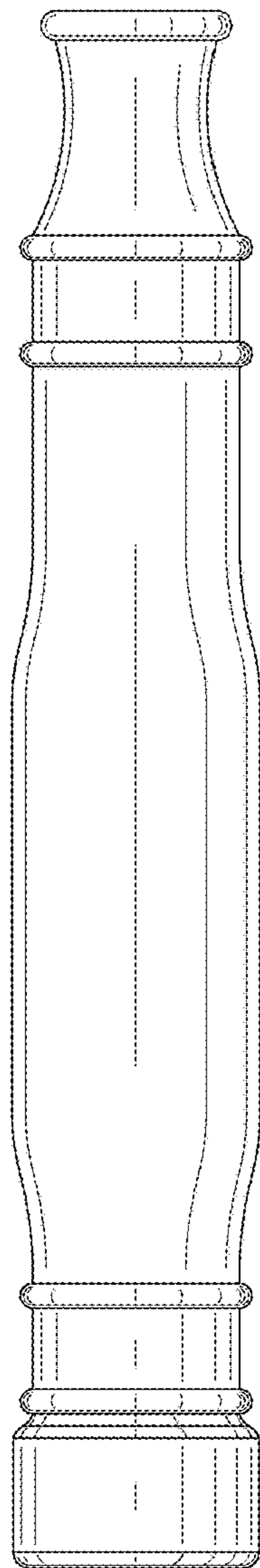
U.S. PATENT DOCUMENTS

2,865,096 A \* 12/1958 Hanset ..... B26B 21/24  
30/40  
3,172,202 A \* 3/1965 Sooter ..... B26B 21/40  
30/539  
3,262,206 A \* 7/1966 Tomek ..... A61B 5/15003  
30/346  
D231,050 S \* 3/1974 Gray ..... D28/46  
D252,528 S \* 7/1979 Harshberger ..... D28/46  
D306,915 S \* 3/1990 Luzenberg ..... D28/46  
D567,442 S \* 4/2008 McMullan ..... D28/46  
D765,912 S \* 9/2016 Thi Minh Vinh ..... D28/48

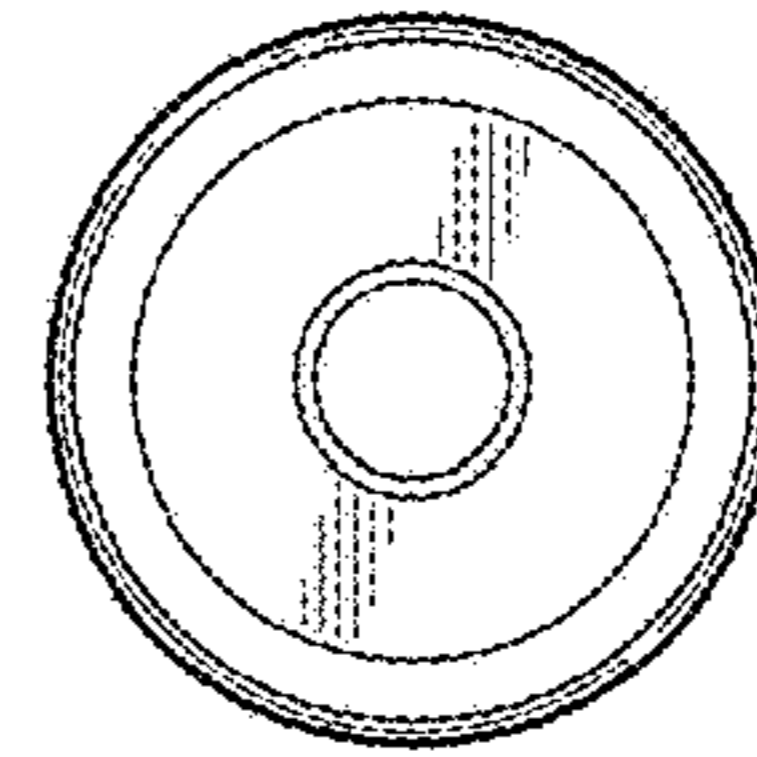
\* cited by examiner



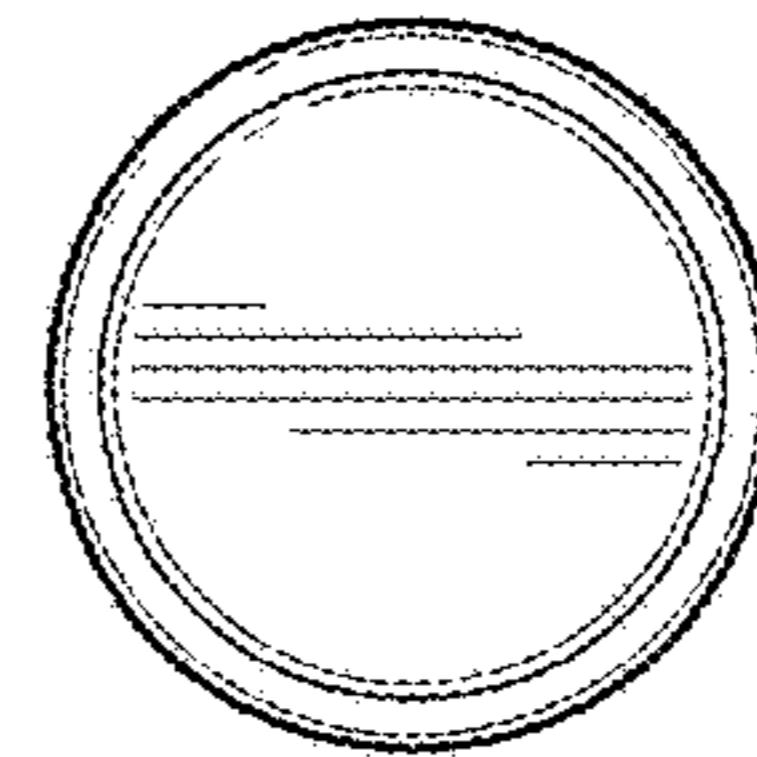
**FIG. 1**



**FIG. 2**



**FIG. 3**



**FIG. 4**