



US00D875314S

(12) **United States Design Patent**  
**Makabi**

(10) **Patent No.:** **US D875,314 S**  
(45) **Date of Patent:** **\*\* Feb. 11, 2020**

- (54) **RAZOR HANDLE**
- (71) Applicant: **Best Buy Imports, Inc.**, Vernon, CA (US)
- (72) Inventor: **Ben Makabi**, Vernon, CA (US)
- (\*\*) Term: **15 Years**
- (21) Appl. No.: **29/644,022**
- (22) Filed: **Apr. 13, 2018**
- (51) **LOC (12) Cl.** ..... **28-03**
- (52) **U.S. Cl.**  
USPC ..... **D28/48**
- (58) **Field of Classification Search**  
USPC ..... D28/46-48, 49-51; D7/395, 401.2  
CPC ... B26B 21/00; B26B 21/08; B26B 21/14-38;  
B26B 21/40; B26B 21/4006; B26B  
21/4012-4031; B26B 21/4037; B26B  
21/405-4056; B26B 21/4062; B26B  
21/4068-4075; B26B 21/48; B26B  
21/52-528  
See application file for complete search history.

(56) **References Cited**

**U.S. PATENT DOCUMENTS**

- 1,018,783 A \* 2/1912 Scheuber ..... B26B 21/30  
30/58
- 1,271,352 A \* 7/1918 Mulder ..... B26B 21/16  
30/69
- 1,366,468 A \* 1/1921 King ..... B26B 21/36  
30/46
- 1,548,471 A \* 8/1925 Kepka ..... B26B 21/30  
30/58
- 1,579,459 A \* 4/1926 Von Hammerstein .....  
B26B 21/20  
30/74.1
- 1,624,707 A \* 4/1927 Alland ..... B26B 21/34  
30/60
- 1,633,139 A \* 6/1927 Staats-Oels ..... B26B 21/22  
30/50

- 1,791,552 A \* 2/1931 Bigoney ..... B26B 21/16  
30/62
  - 1,912,720 A \* 6/1933 Page ..... B26B 21/16  
30/41
  - 2,028,011 A \* 1/1936 Raymond ..... B26B 21/52  
30/526
  - 2,033,307 A \* 3/1936 Schuster ..... B26B 21/52  
30/534
  - 2,129,022 A \* 9/1938 Osberghaus ..... B26B 21/28  
30/48
  - D137,220 S \* 2/1944 Brownback ..... D28/46
  - 2,547,704 A \* 4/1951 Hoberg ..... B26B 21/18  
30/60.5
  - D165,867 S \* 2/1952 Rauff ..... D28/46
- (Continued)

**OTHER PUBLICATIONS**

Muhle Closed Comb Safety Razor, [www.amazon.com](http://www.amazon.com), 1 page, downloaded Sep. 2019, reviewed as early as 2015 [https://www.amazon.com/Closed-Double-Safety-Chrome-Plated/dp/B0047A8U0G/ref=sr\\_1\\_104?keywords=safety+razor&qid=1569256743&sr=8-104](https://www.amazon.com/Closed-Double-Safety-Chrome-Plated/dp/B0047A8U0G/ref=sr_1_104?keywords=safety+razor&qid=1569256743&sr=8-104).\*

*Primary Examiner* — Jennifer Rivard  
(74) *Attorney, Agent, or Firm* — Dykema Gossett PLLC

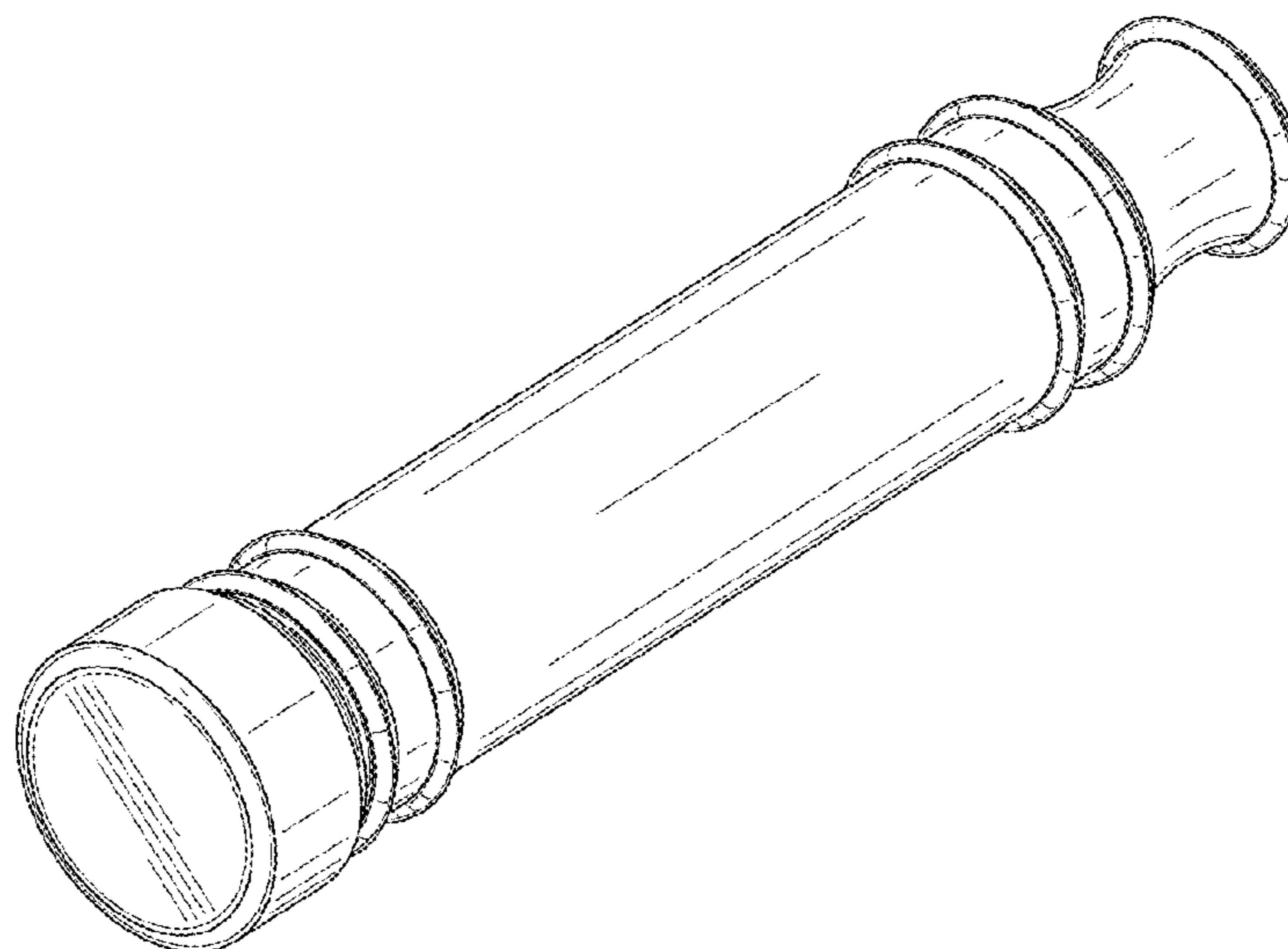
(57) **CLAIM**

The ornamental design for a razor handle, as shown and described.

**DESCRIPTION**

FIG. 1 is a perspective view of a razor handle according to a first embodiment of my new and ornamental design, FIG. 2 is a side view thereof, all side views being identical, FIG. 3 is a top end view thereof, FIG. 4 is a bottom end view thereof, FIG. 5 is a perspective view of a second embodiment thereof, FIG. 6 is a side view thereof, all side views being identical, FIG. 7 is a top end view thereof; and, FIG. 8 is a bottom end view thereof.

**1 Claim, 2 Drawing Sheets**



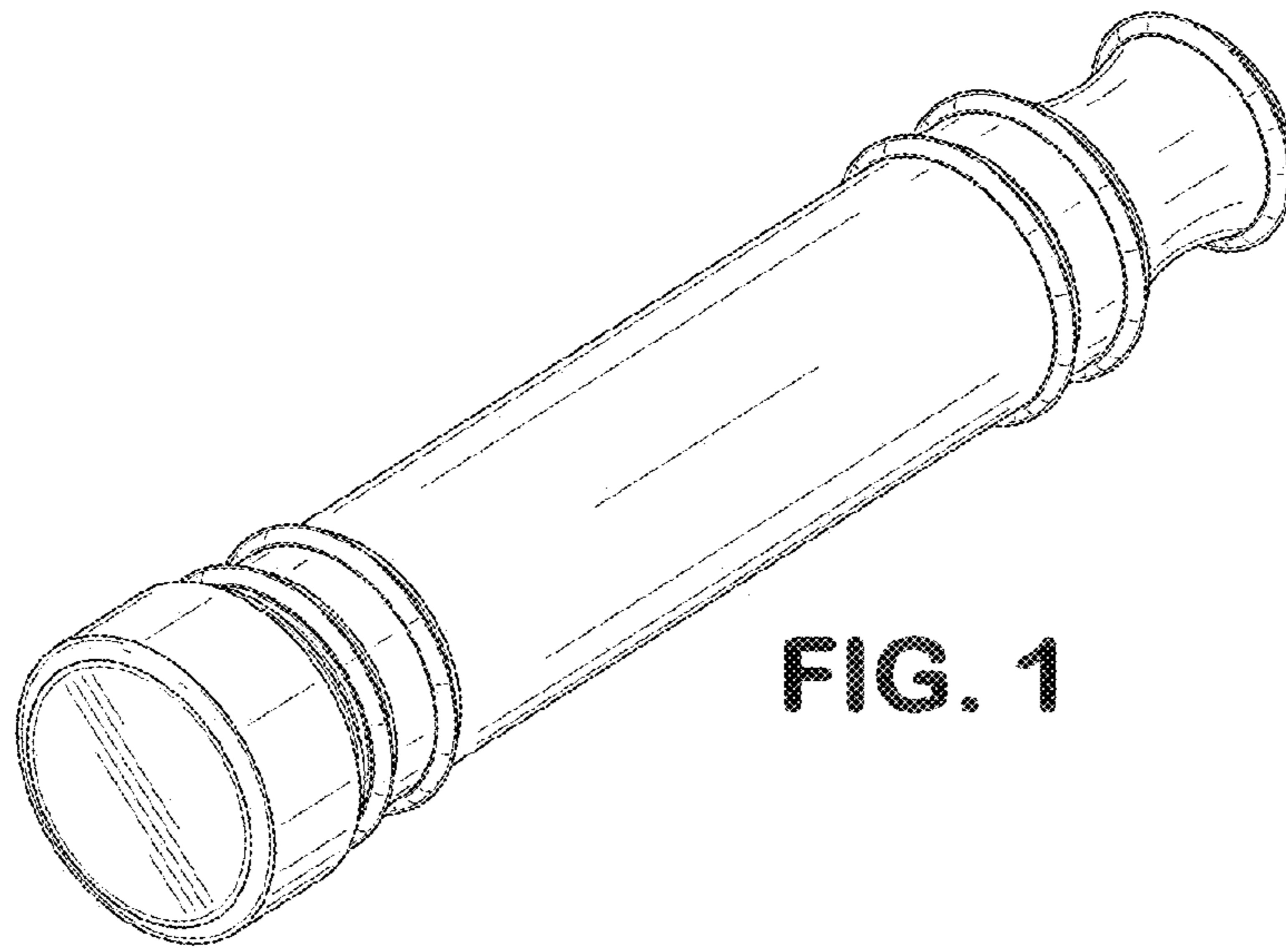
(56)

**References Cited**

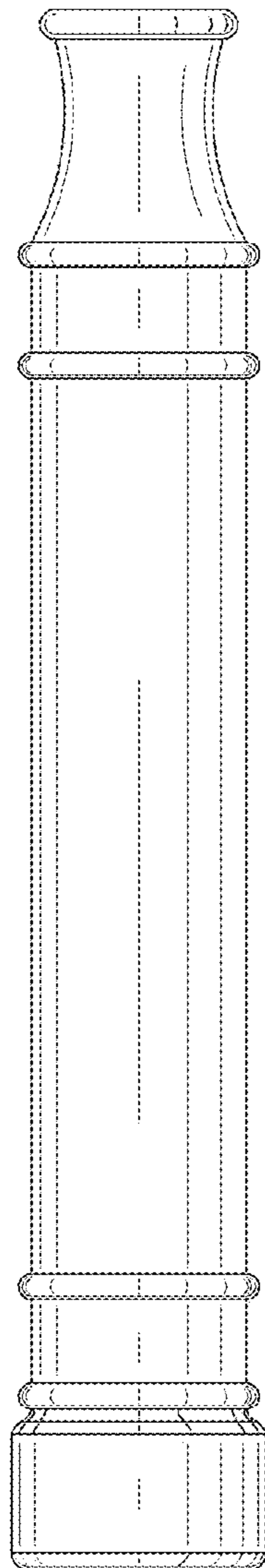
U.S. PATENT DOCUMENTS

2,666,982	A *	1/1954	Schroder .....	B26B 21/08 30/31
2,669,777	A *	2/1954	Scully .....	B26B 21/18 30/72
2,670,533	A *	3/1954	Kearney .....	B26B 21/08 30/31
2,680,290	A *	6/1954	Steinberg .....	B26B 21/18 30/41.7
2,807,084	A *	9/1957	Harman .....	B26B 21/22 30/50
2,865,096	A *	12/1958	Hanset .....	B26B 21/24 30/40
3,172,202	A *	3/1965	Sooter .....	B26B 21/40 30/539
3,262,206	A *	7/1966	Tomek .....	A61B 5/15003 30/346
D231,050	S *	3/1974	Gray .....	D28/46
D252,528	S *	7/1979	Harshberger .....	D28/46
D306,915	S *	3/1990	Luzenberg .....	D28/46
D567,442	S *	4/2008	McMullan .....	D28/46
D765,912	S *	9/2016	Thi Minh Vinh .....	D28/48

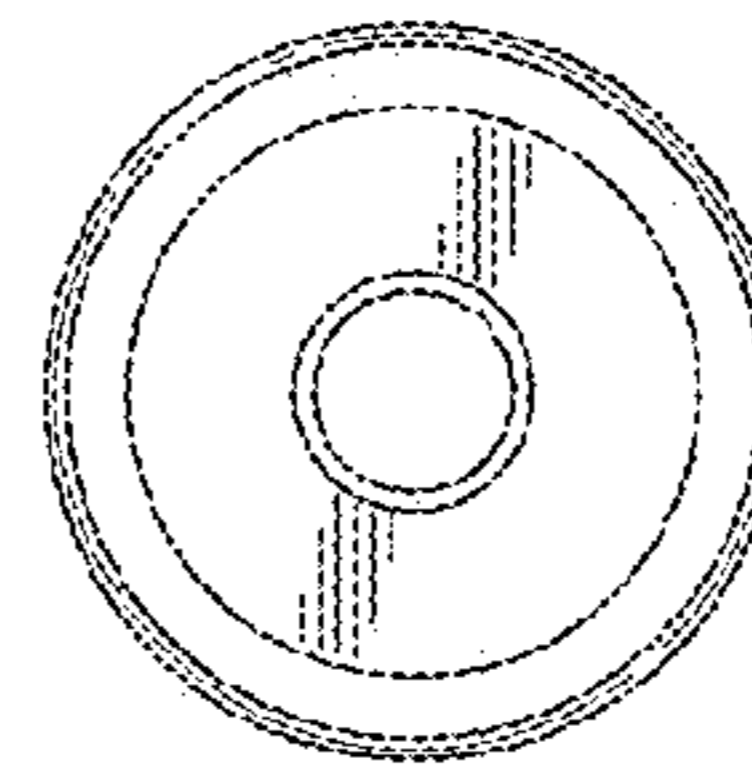
\* cited by examiner



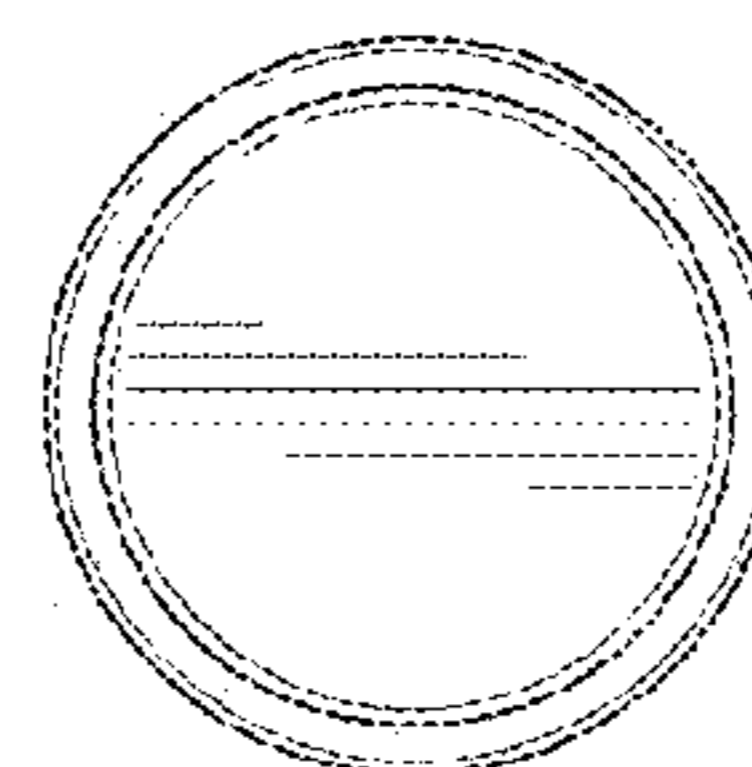
**FIG. 1**



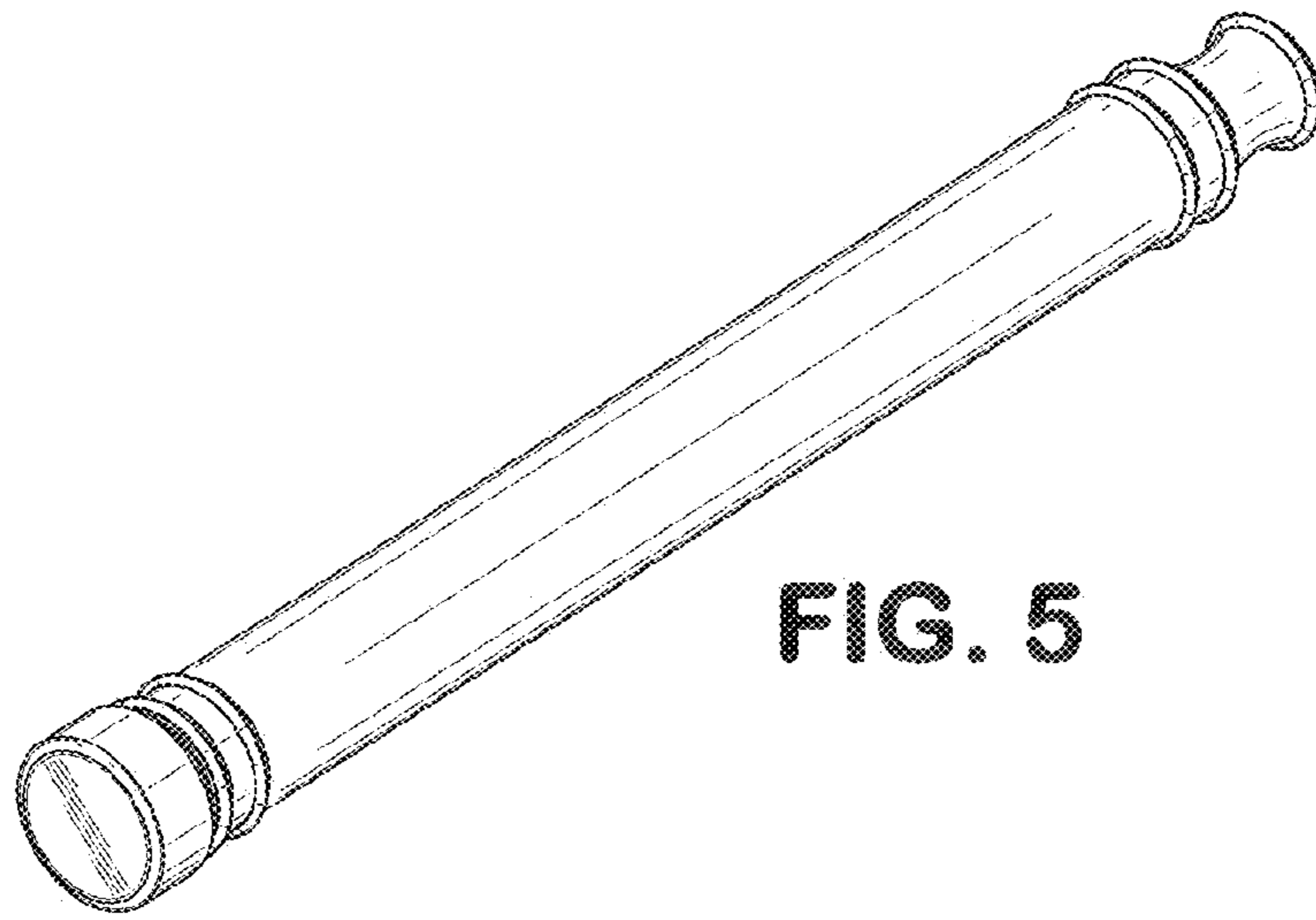
**FIG. 2**



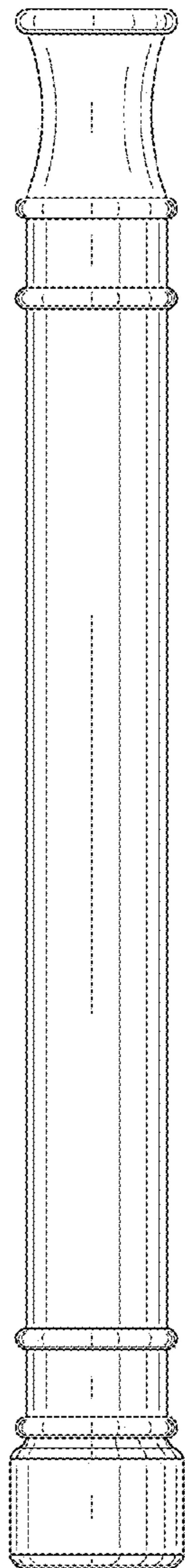
**FIG. 3**



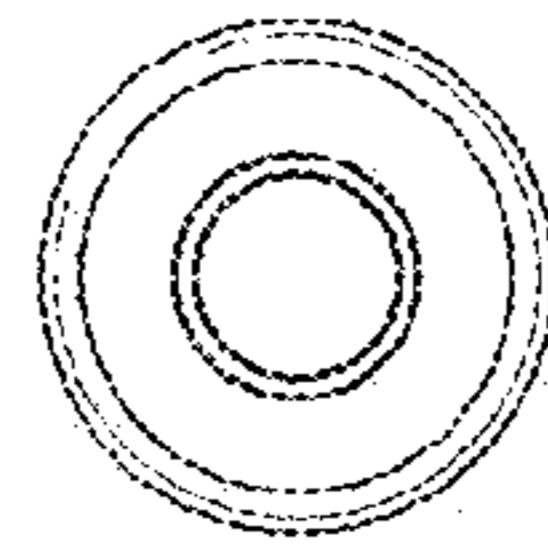
**FIG. 4**



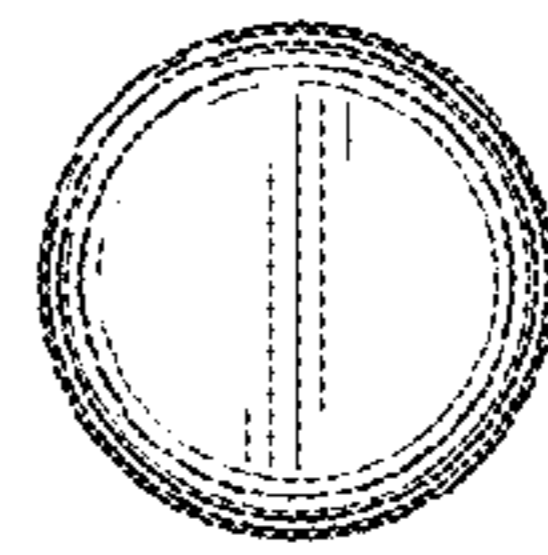
**FIG. 5**



**FIG. 6**



**FIG. 7**



**FIG. 8**