



US00D875313S

(12) **United States Design Patent** (10) **Patent No.:** **US D875,313 S**
Kottidi et al. (45) **Date of Patent:** **** Feb. 11, 2020**

(54) **COMBINED SHAVING CARTRIDGE WITH LUBRICATING ELEMENTS**

(71) Applicant: **Societe BIC**, Clichy (FR)

(72) Inventors: **Triantafyllia Kottidi**, Athens (GR);
Maria Petratou, Athens (GR)

(73) Assignee: **Societe BIC**, Clichy (FR)

(**) Term: **15 Years**

(21) Appl. No.: **29/698,485**

(22) Filed: **Jul. 17, 2019**

Related U.S. Application Data

(62) Division of application No. 29/643,297, filed on Apr. 6, 2018, now Pat. No. Des. 872,937.

(51) **LOC (12) Cl.** **28-03**

(52) **U.S. Cl.**
USPC **D28/47**

(58) **Field of Classification Search**

USPC D28/46-48, 49-51; D7/395, 401.2
CPC ... B26B 21/00; B26B 21/08; B26B 21/14-38;
B26B 21/40; B26B 21/4006; B26B
21/4012-4031; B26B 21/4037; B26B
21/405-4056; B26B 21/4062; B26B
21/4068-4075; B26B 21/48; B26B
21/52-528

See application file for complete search history.

(56) **References Cited**

U.S. PATENT DOCUMENTS

6,161,287 A * 12/2000 Swanson B26B 21/225
30/50
D542,972 S * 5/2007 Pryor D28/47

D547,494 S * 7/2007 Watson D28/47
D550,400 S * 9/2007 Orloff D28/47
D627,518 S * 11/2010 Kinard D28/47
D630,378 S * 1/2011 Jung D28/47
D631,198 S * 1/2011 Adams D28/47
D638,580 S * 5/2011 Adams D28/46
D653,395 S * 1/2012 Adams D28/47
D662,661 S * 6/2012 Corbeil D28/47
D698,998 S * 2/2014 Lukan D28/46
D748,856 S * 2/2016 Mahony D28/47
D772,484 S * 11/2016 Otsuka D28/47
D778,498 S * 2/2017 Petratou D28/47
D819,273 S * 5/2018 Cabrera D28/47
D829,380 S * 9/2018 Kong D28/47
D837,452 S * 1/2019 Goeder D28/47

* cited by examiner

Primary Examiner — Jennifer Rivard

(74) *Attorney, Agent, or Firm* — The H.T. Than Law Group

(57) **CLAIM**

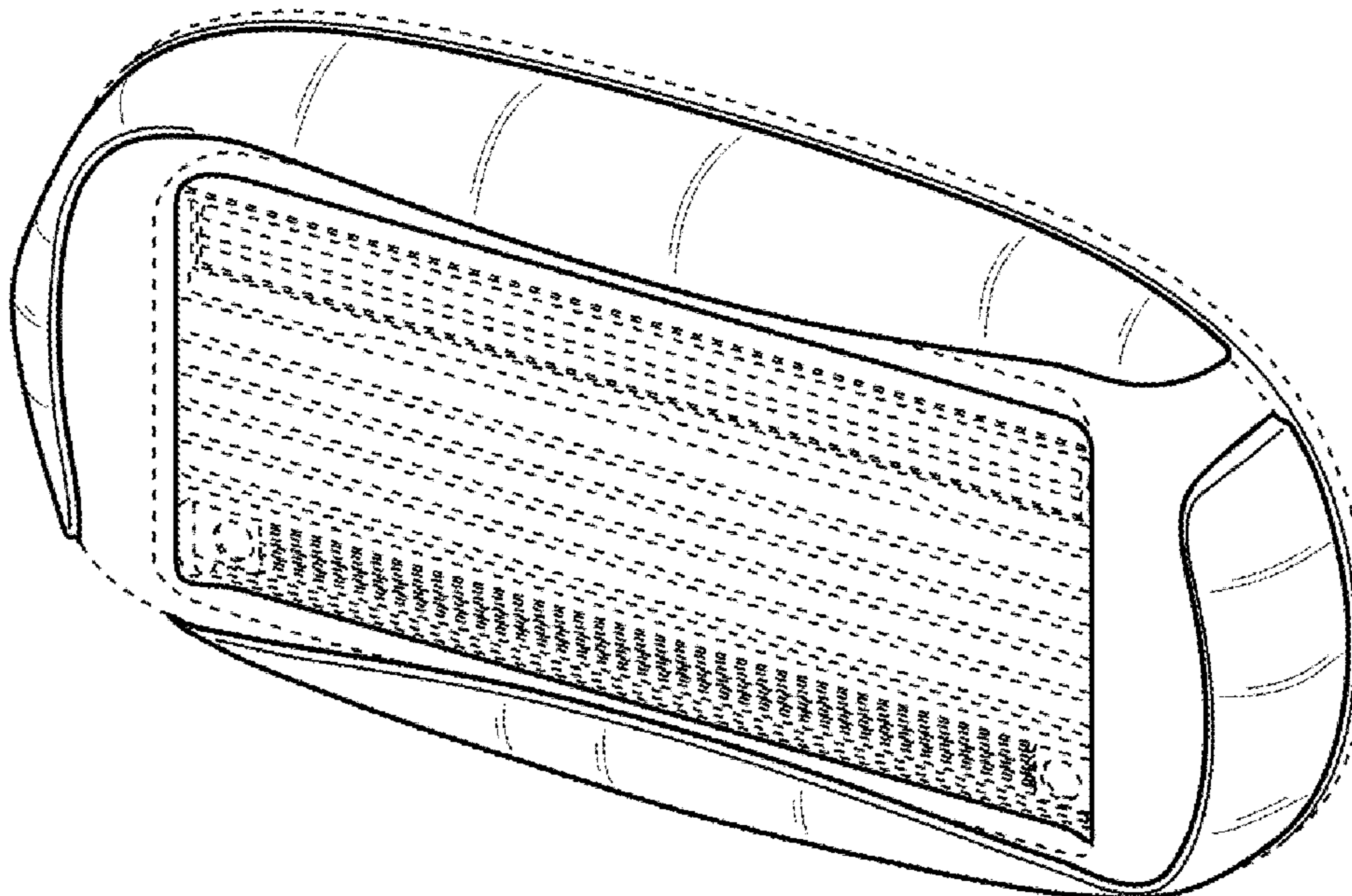
The ornamental design for a combined shaving cartridge with lubricating elements, as shown and described.

DESCRIPTION

FIG. 1 is perspective view of an ornamental design for a combined shaving cartridge and lubricating elements according to the present invention;
FIG. 2 is a front view thereof;
FIG. 3 is a back view thereof;
FIG. 4 is a left side view thereof;
FIG. 5 is a right side view thereof;
FIG. 6 is a top view thereof; and,
FIG. 7 is a bottom view thereof.

The broken lines illustrate portions of the combined shaving cartridge with lubricating elements and form no part of the claimed design.

1 Claim, 4 Drawing Sheets



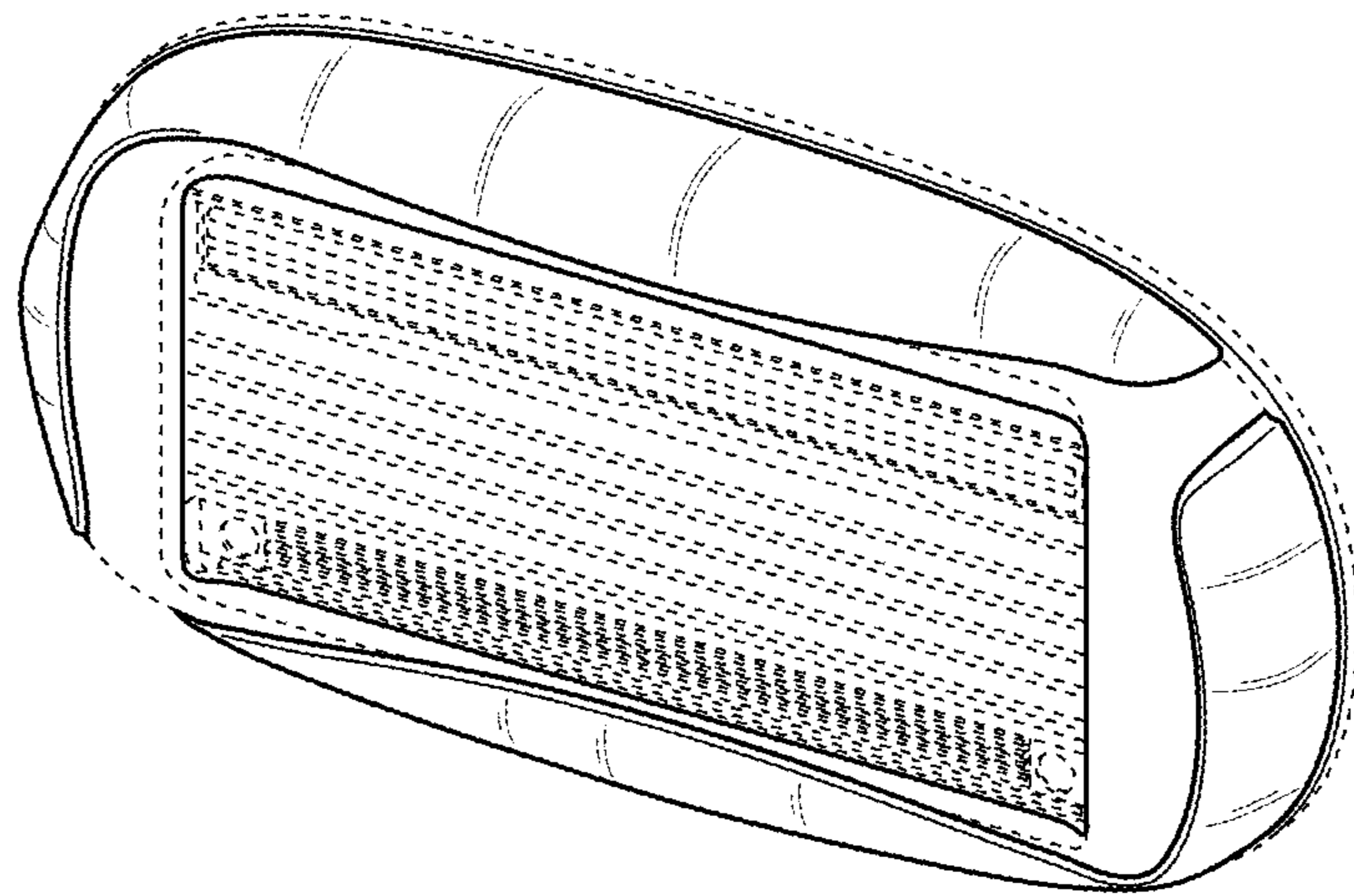


Fig. 1

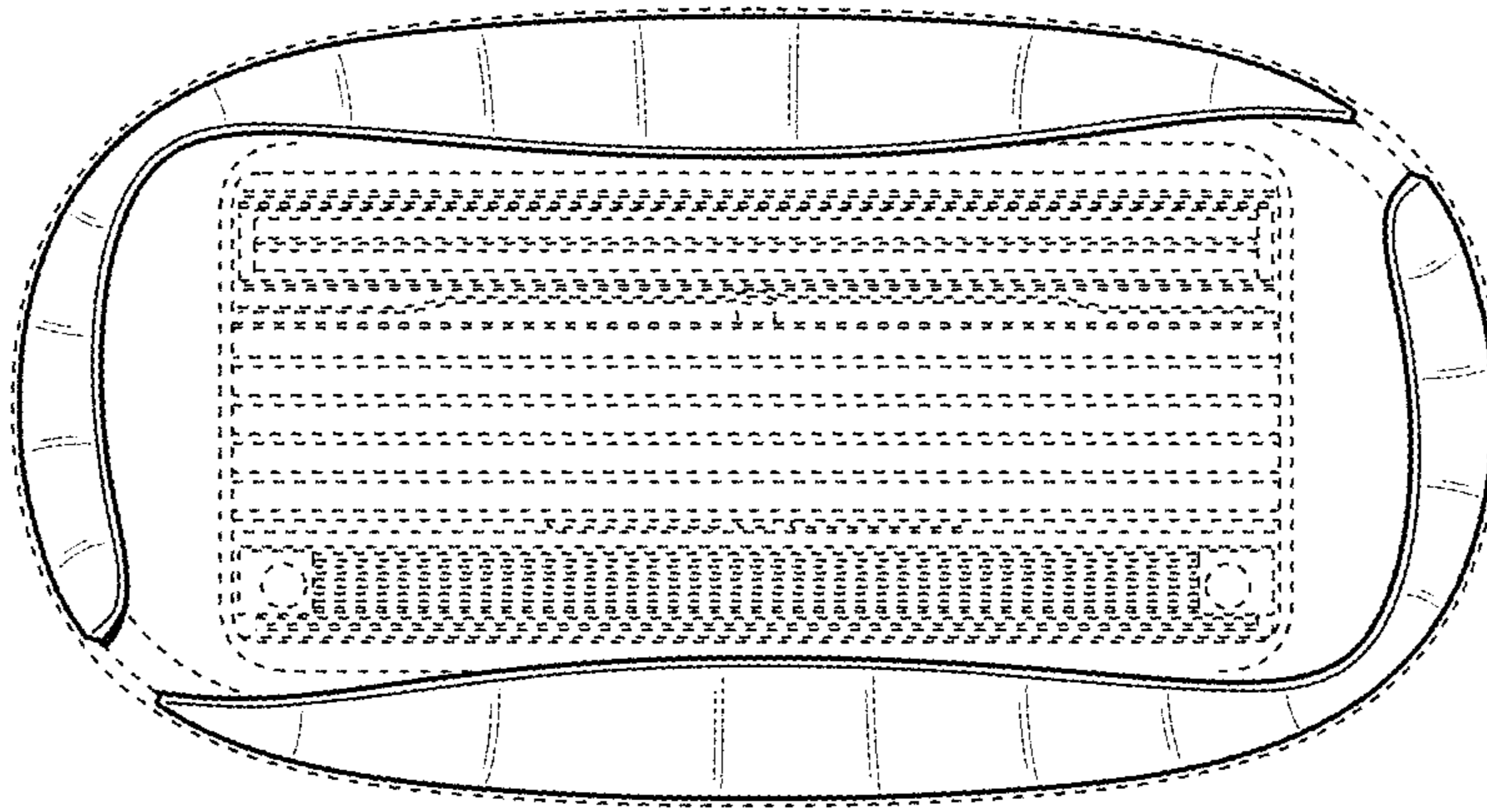


Fig. 2

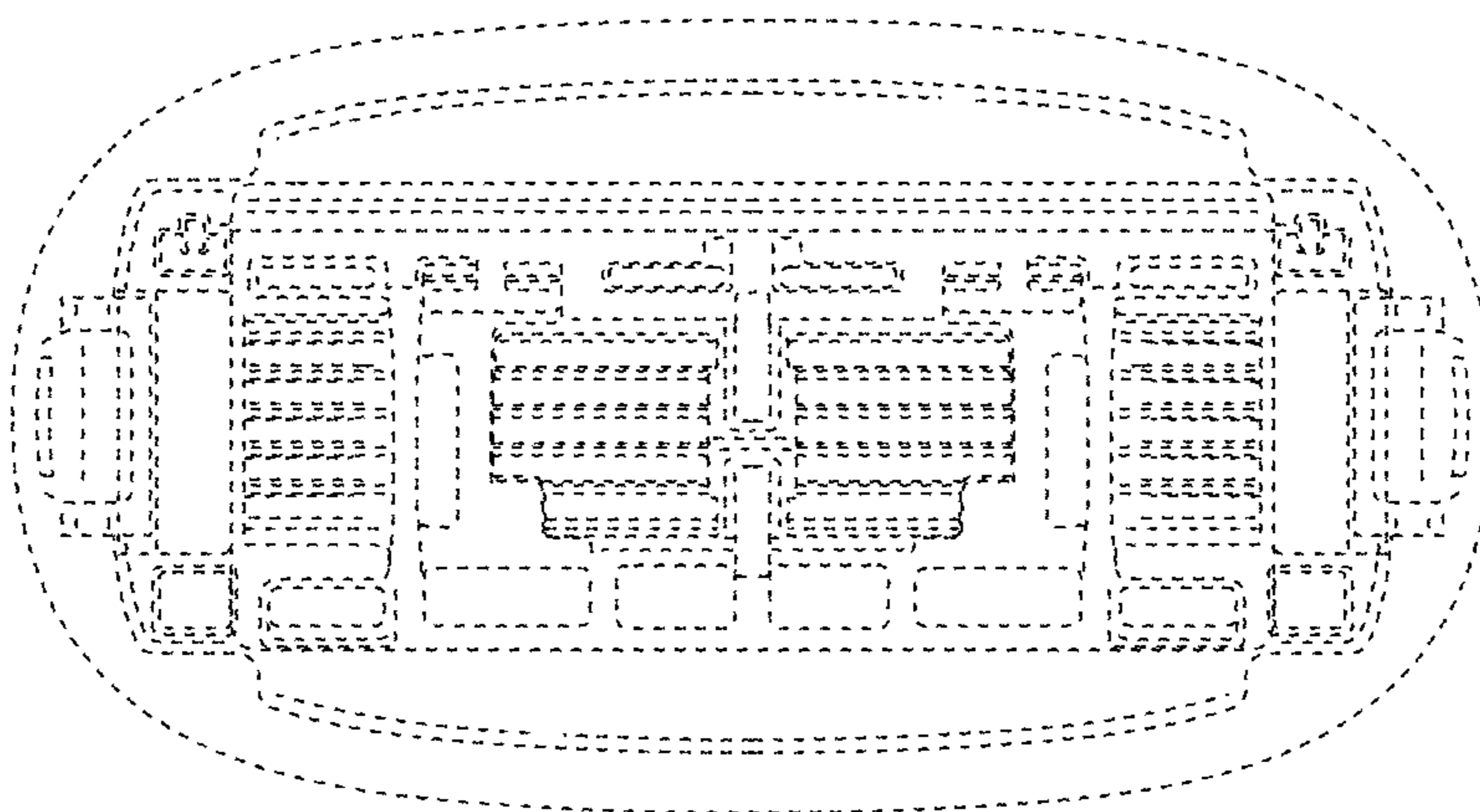


Fig. 3

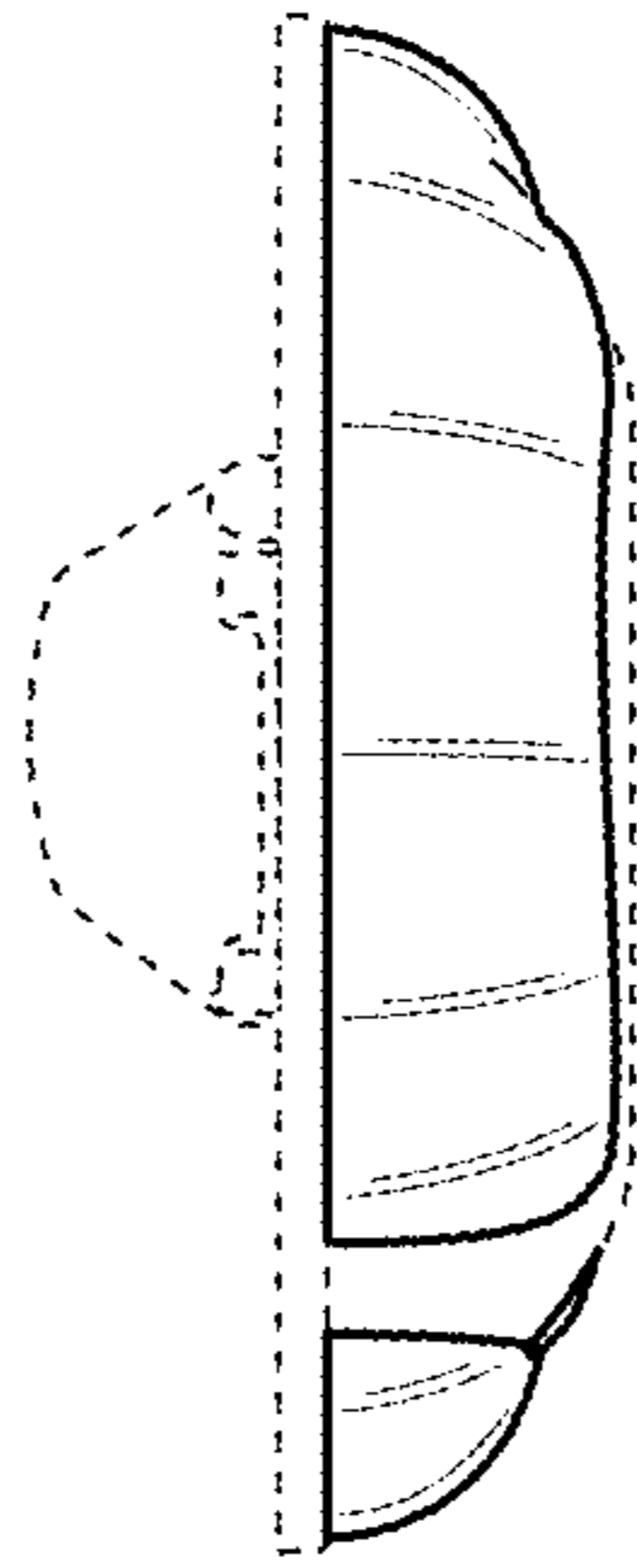


Fig. 4

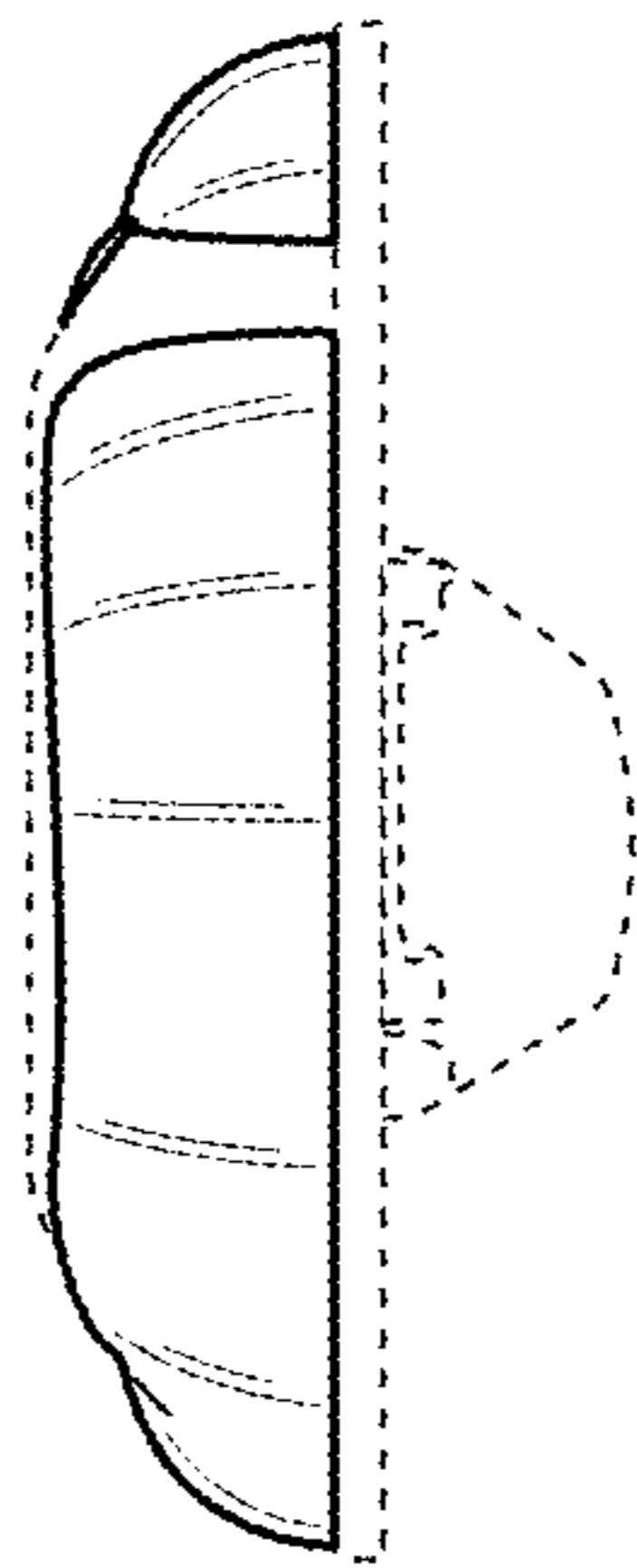


Fig. 5

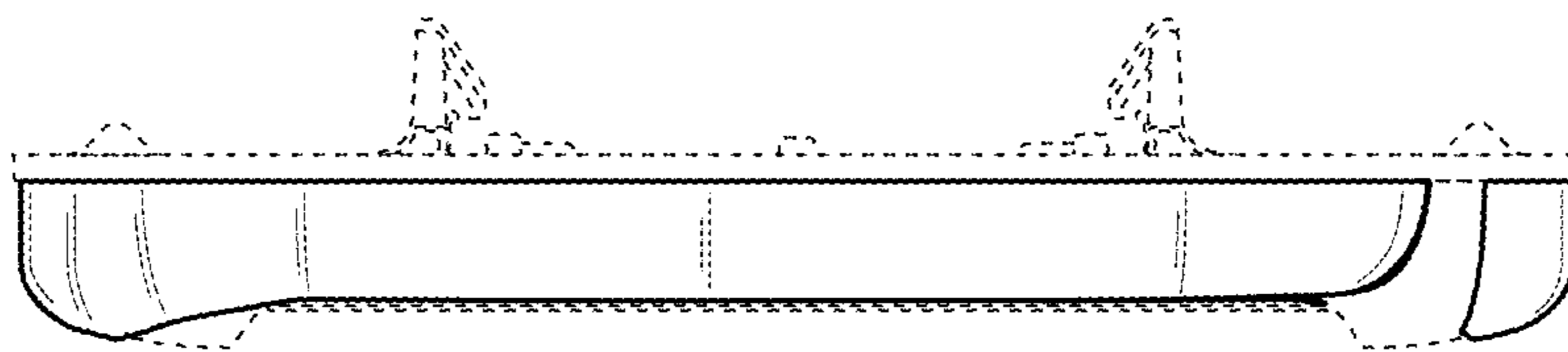


Fig. 6

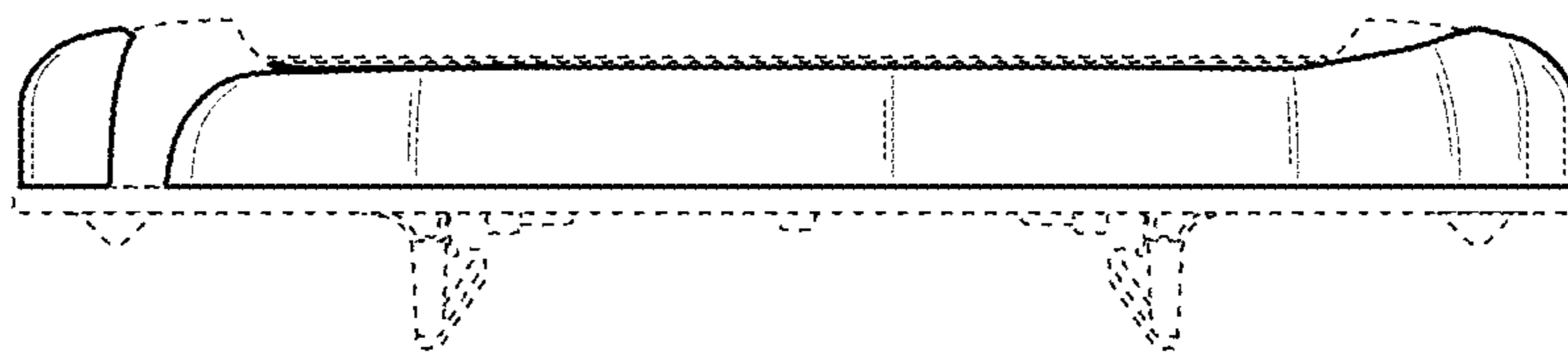


Fig. 7