



US00D875309S

(12) **United States Design Patent** (10) **Patent No.:** **US D875,309 S**  
**Liao** (45) **Date of Patent:** **\*\* Feb. 11, 2020**

(54) **HAIR DRYER**

(71) Applicant: **Dongguan Shengming Industrial Co., Ltd**, Dongguan, Guangdong (CN)

(72) Inventor: **Shengwang Liao**, Jiangxi (CN)

(\*\*) Term: **15 Years**

(21) Appl. No.: **29/706,402**

(22) Filed: **Sep. 19, 2019**

(51) **LOC (12) Cl.** ..... **28-03**

(52) **U.S. Cl.**  
USPC ..... **D28/15**

(58) **Field of Classification Search**  
USPC ..... D28/12-18, 35  
CPC ..... A45D 20/00; A45D 20/48; A45D 20/50;  
A45D 20/52; A45D 20/525  
See application file for complete search history.

(56) **References Cited**

**U.S. PATENT DOCUMENTS**

D289,696 S *	5/1987	Vrtaric	.....	219/223
D339,210 S *	9/1993	Classen	.....	D28/15
D457,730 S *	5/2002	McCurrach	.....	D28/10
D859,738 S	9/2019	Huang		
D859,739 S *	9/2019	Bourgeois	.....	D28/15

\* cited by examiner

*Primary Examiner* — Zenia I Bennett  
(74) *Attorney, Agent, or Firm* — ZanIP

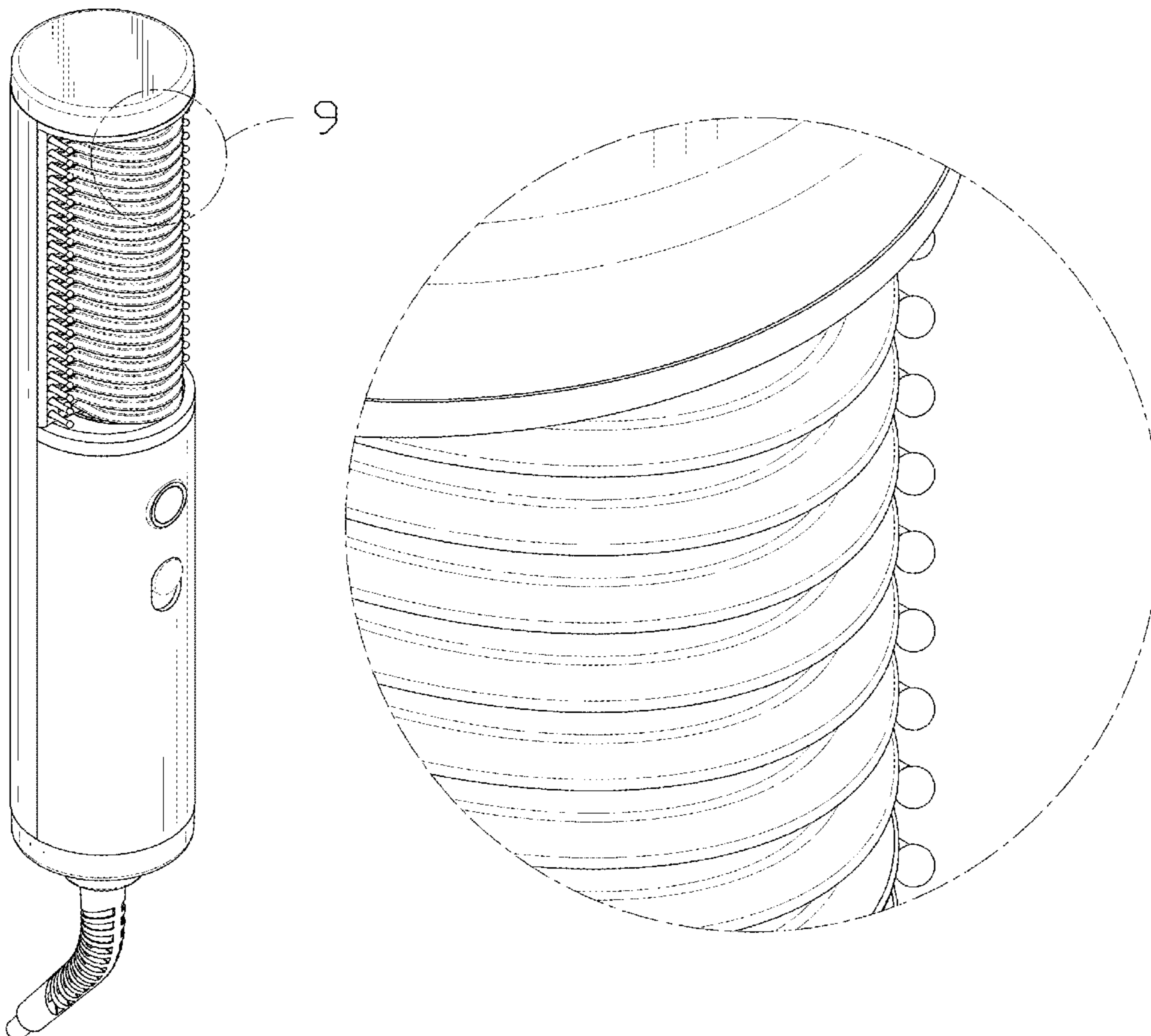
(57) **CLAIM**

The ornamental design for a hair dryer, as shown and described.

**DESCRIPTION**

FIG. 1 is a front and top perspective view of a hair dryer, showing my new design;  
FIG. 2 is a rear and bottom perspective view thereof;  
FIG. 3 is a front elevational view thereof;  
FIG. 4 is a rear elevational view thereof;  
FIG. 5 is a left side elevational view thereof;  
FIG. 6 is a right side elevational view thereof;  
FIG. 7 is a top plan view thereof;  
FIG. 8 is a bottom plan view thereof;  
FIG. 9 is an enlarged view of a portion indicated in FIG. 1;  
FIG. 10 is an enlarged view of a portion indicated in FIG. 3;  
and,  
FIG. 11 is an enlarged view of a portion indicated in FIG. 5.  
The broken lines in the figures illustrate portions of the hair dryer that form no part of the claimed design.

**1 Claim, 11 Drawing Sheets**



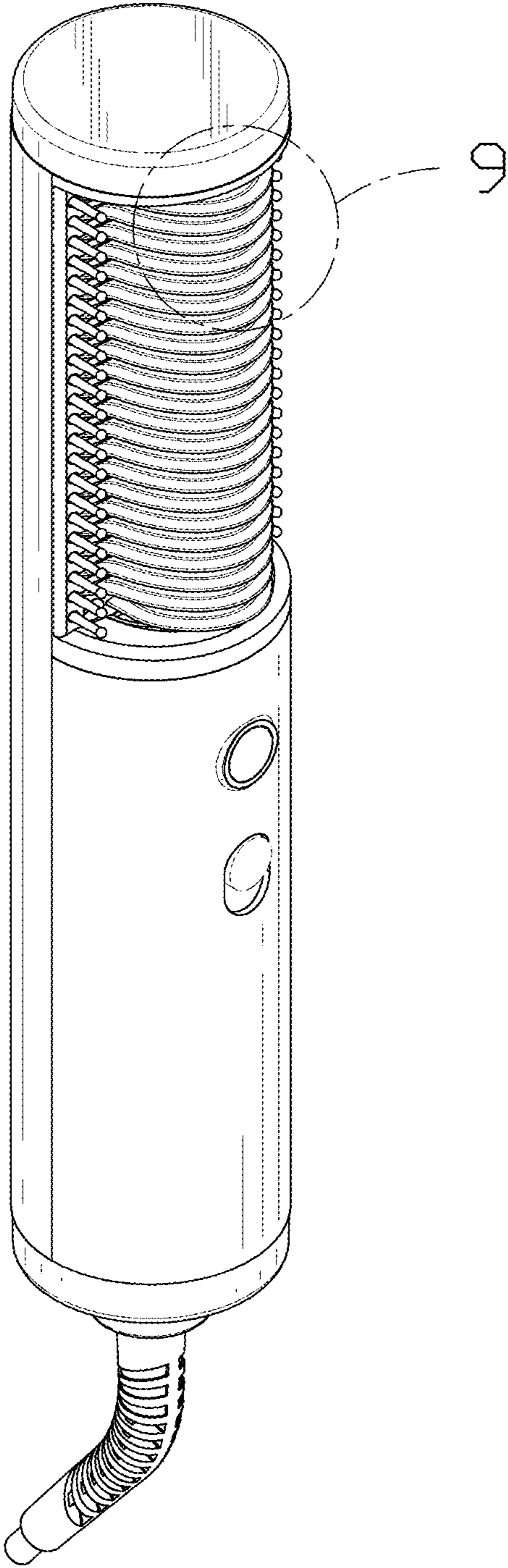


FIG. 1

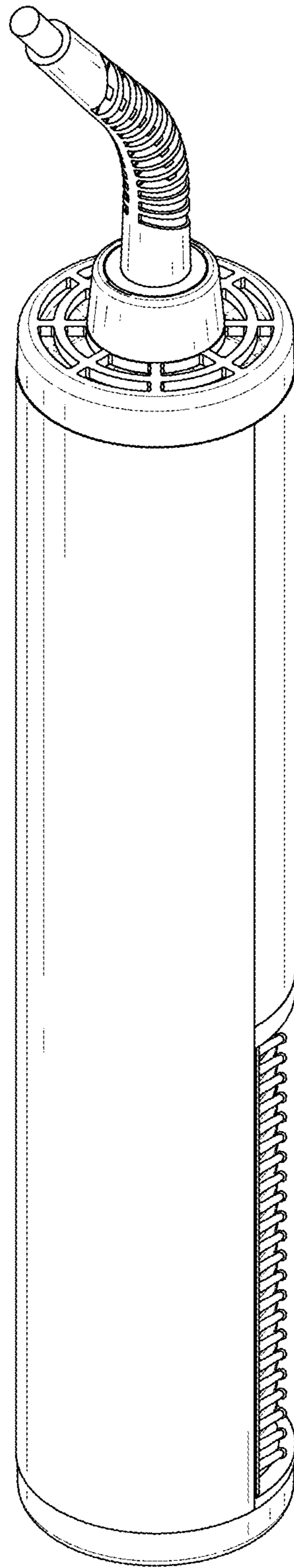


FIG. 2

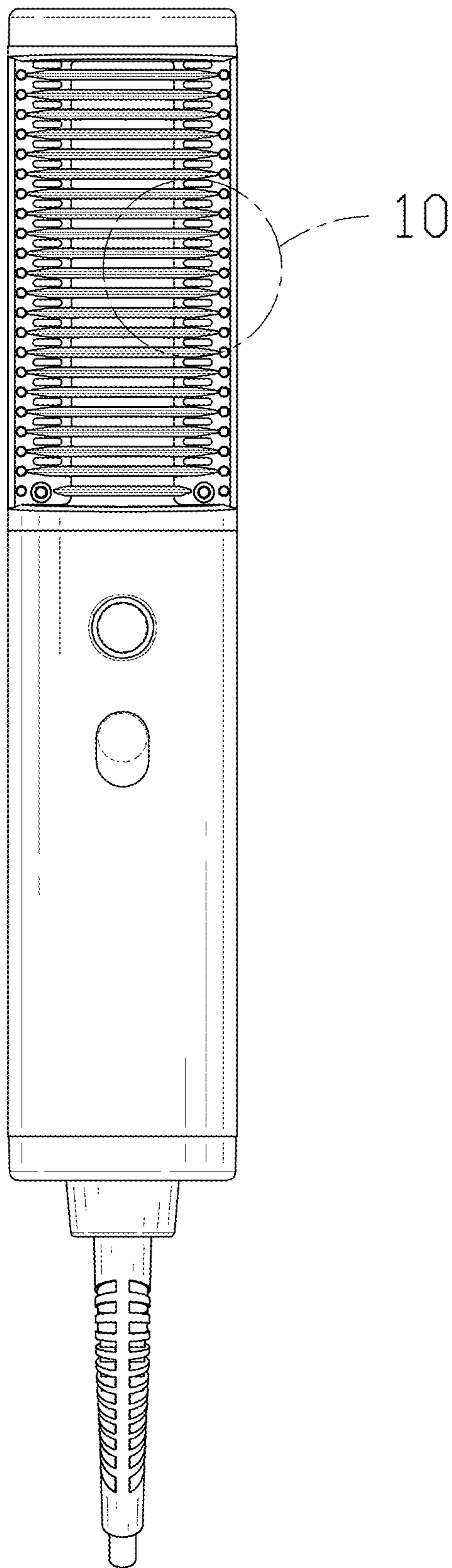


FIG. 3

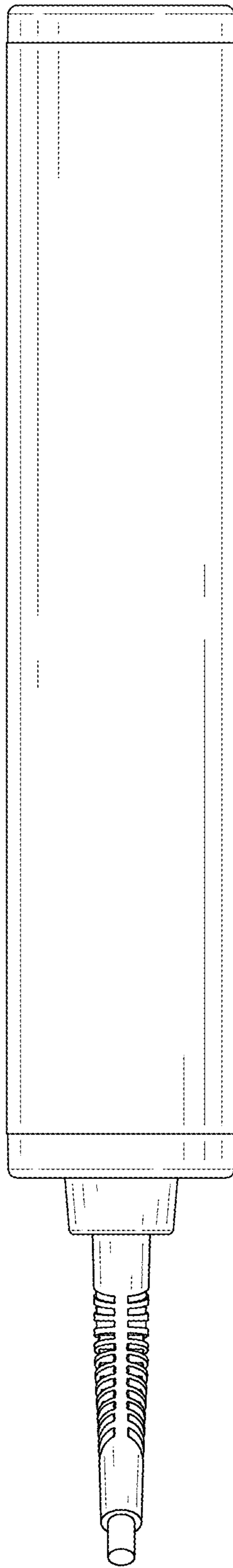


FIG. 4

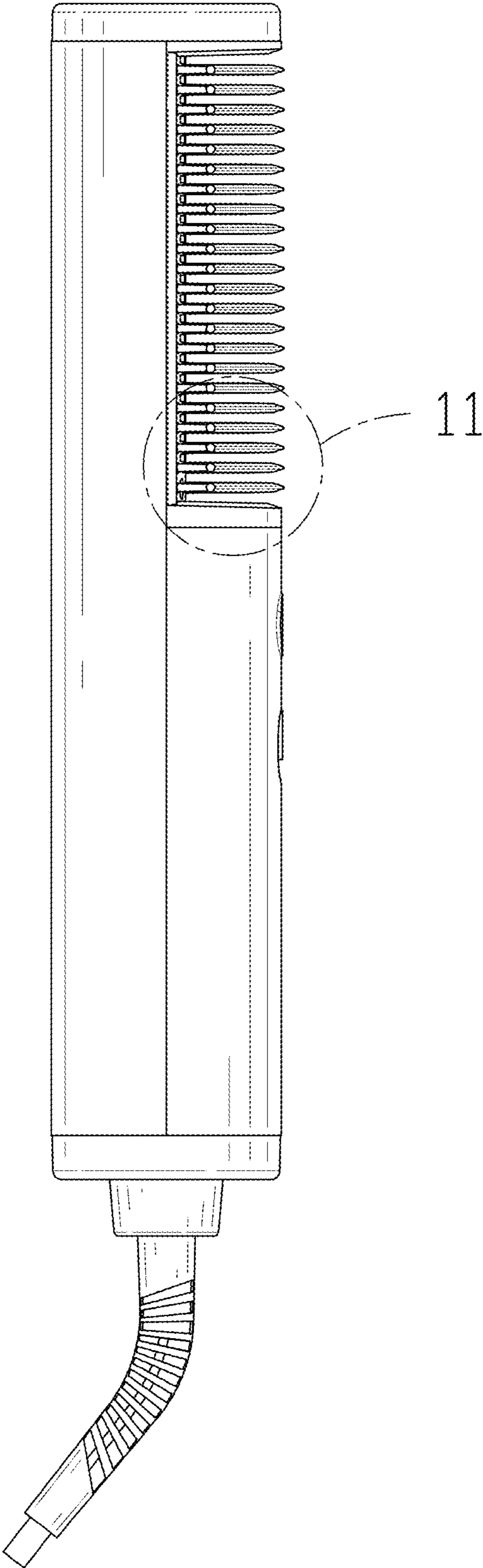


FIG. 5

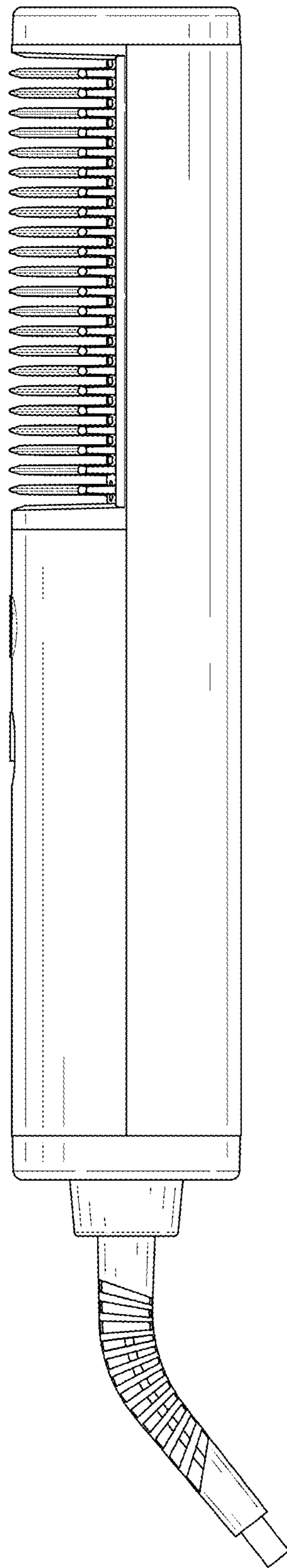


FIG. 6

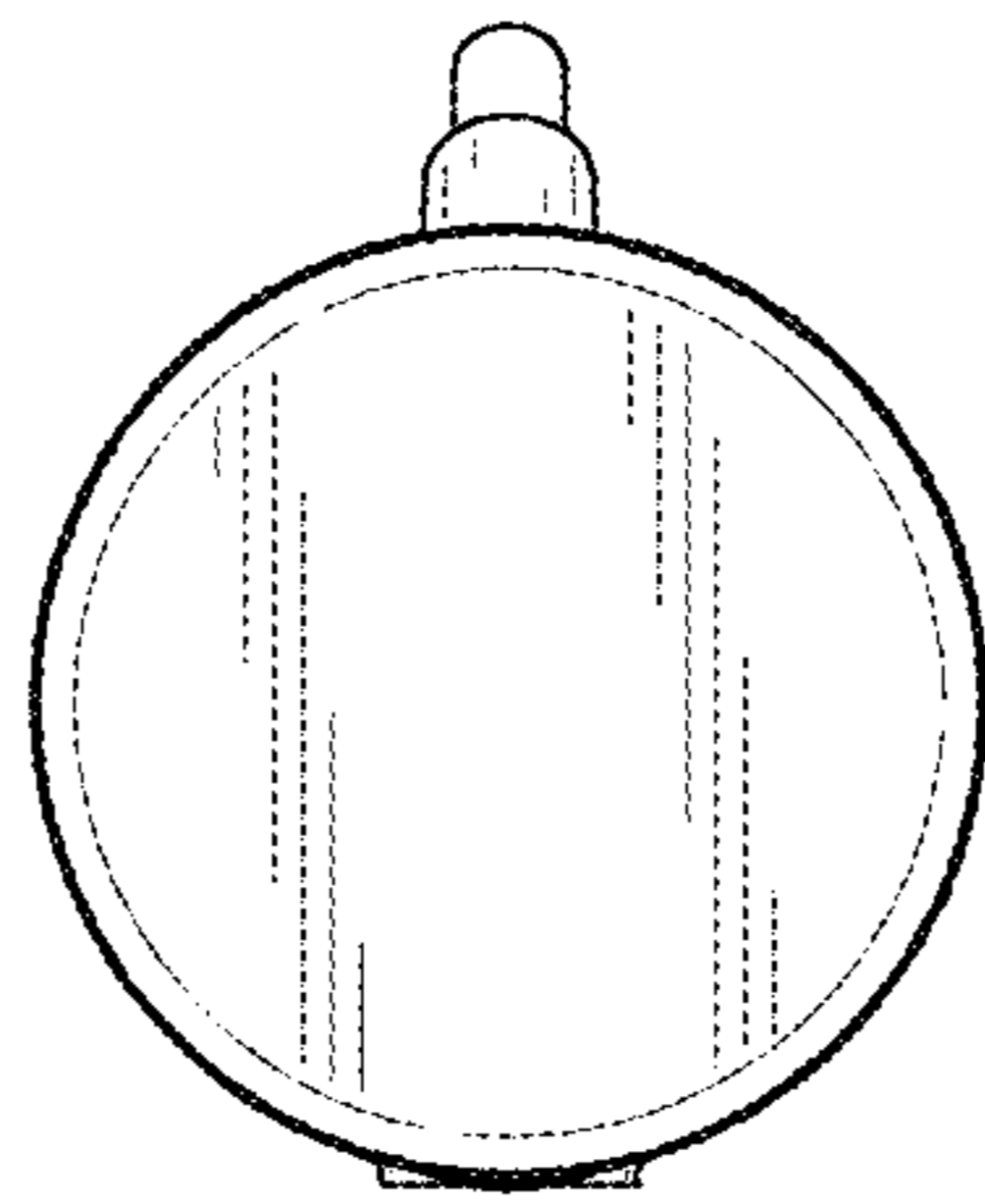


FIG. 7



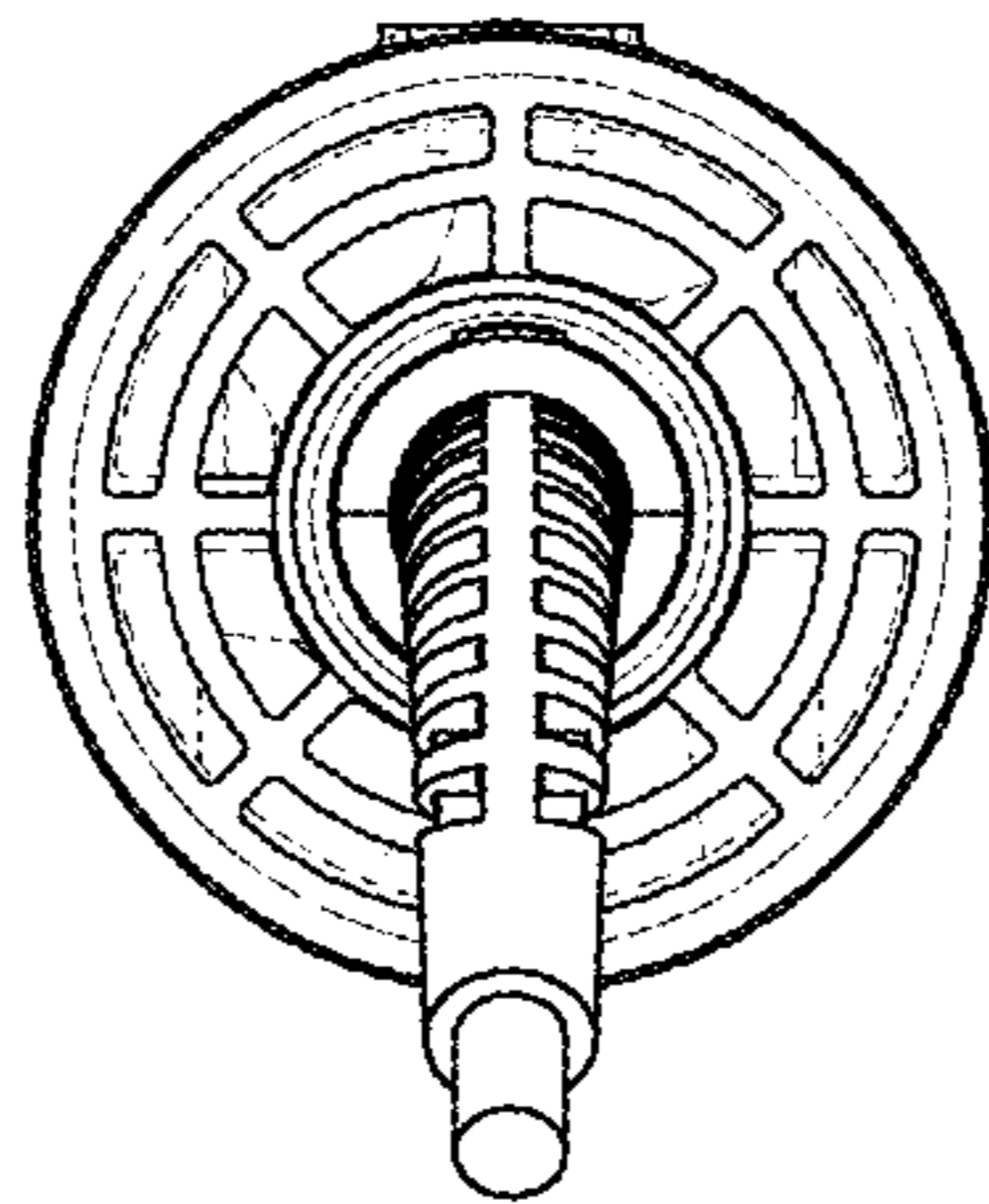


FIG. 8

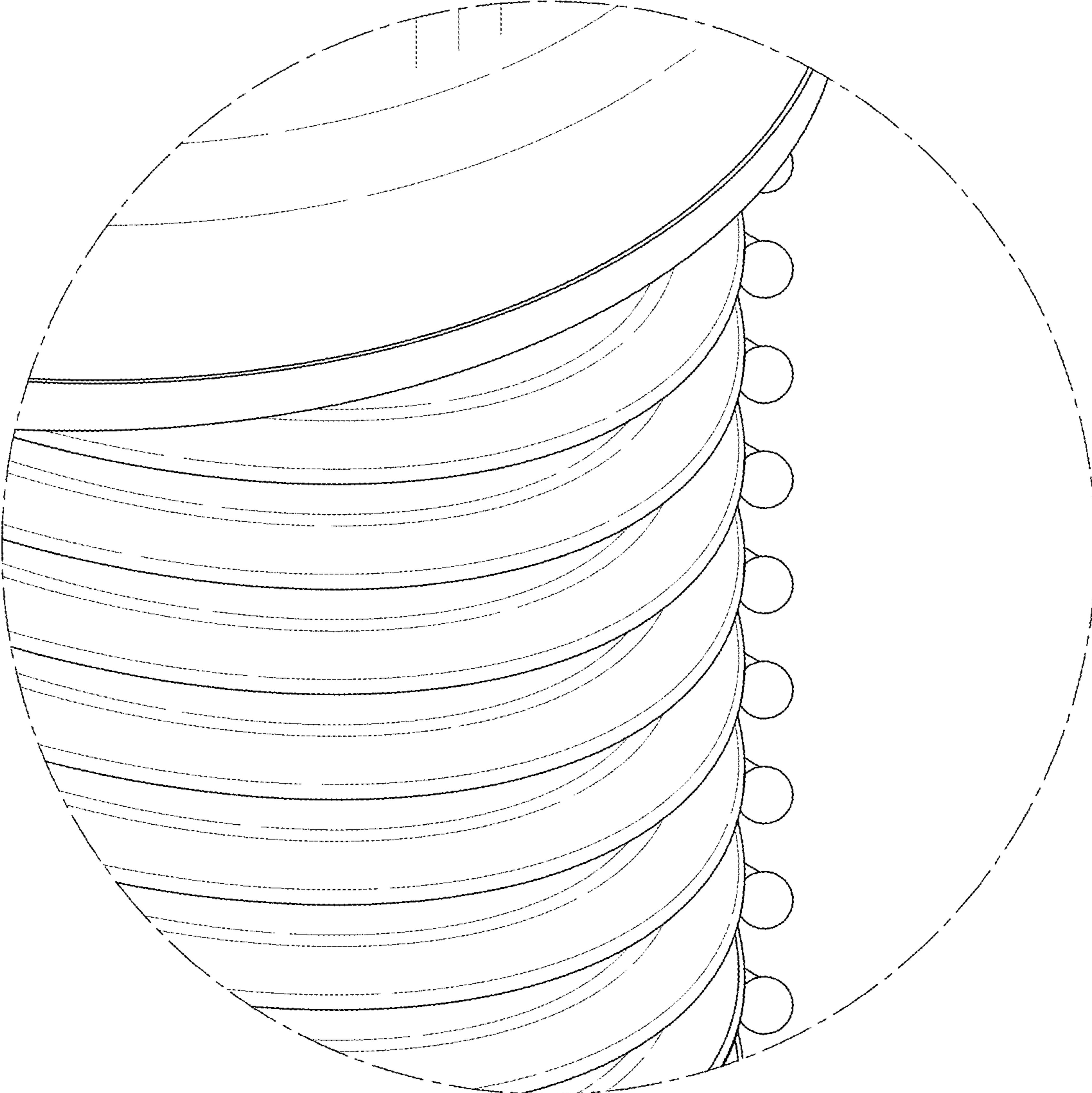


FIG. 9

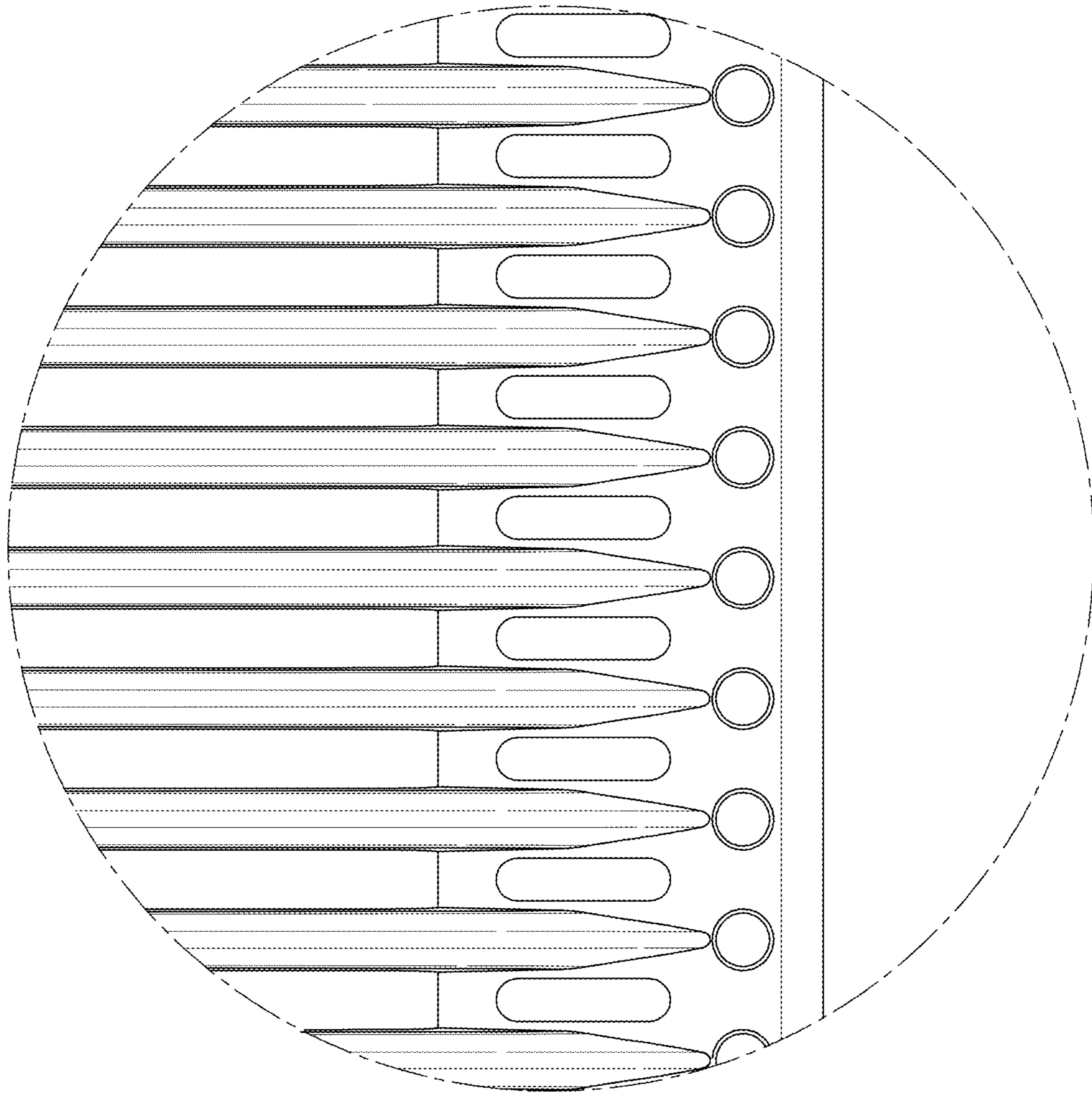


FIG. 10

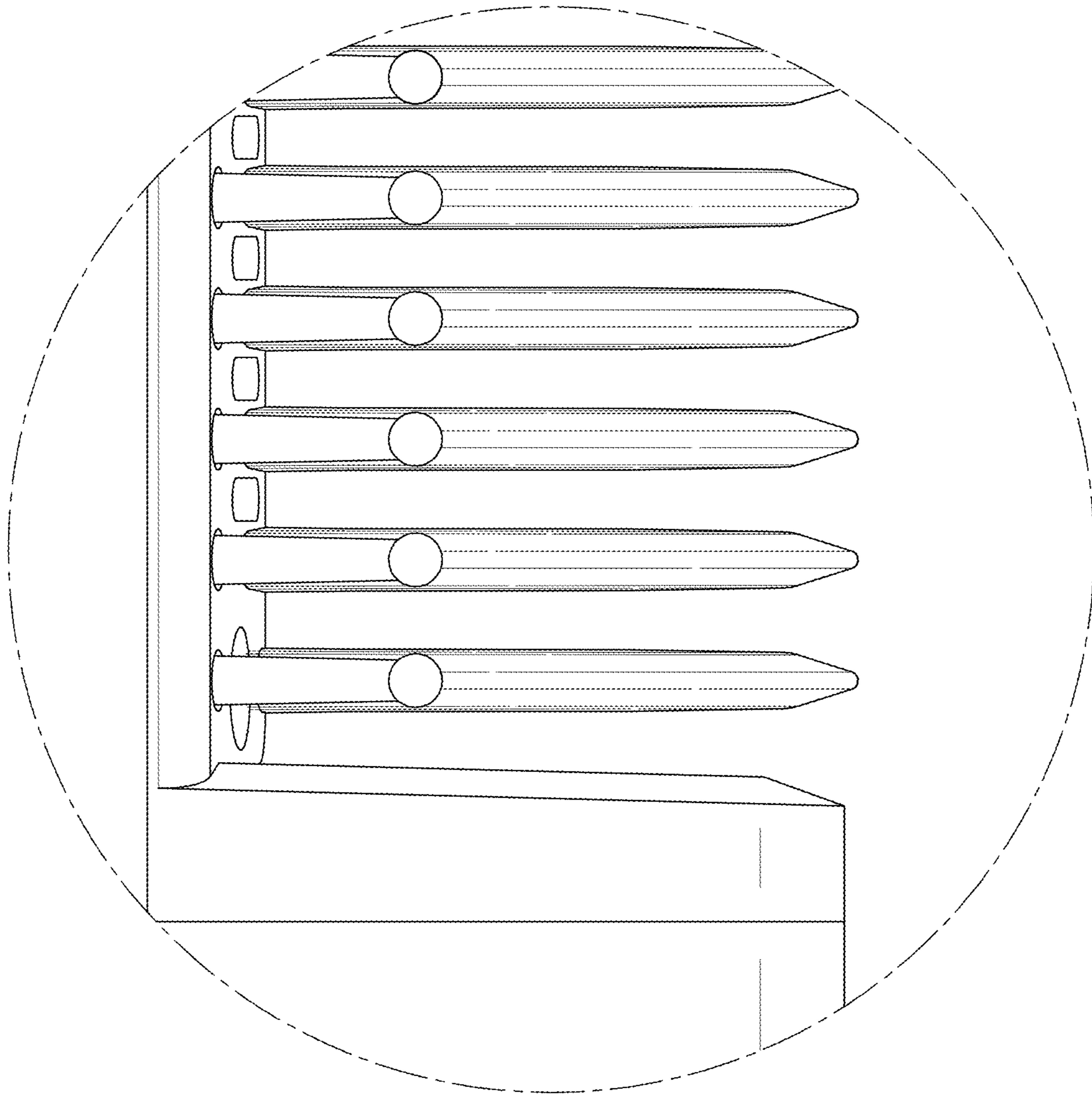


FIG. 11