



US00D875307S

(12) **United States Design Patent** (10) **Patent No.:** **US D875,307 S**  
**Storcks et al.** (45) **Date of Patent:** **\*\* Feb. 11, 2020**

(54) **CIGAR TRAY**

(71) Applicants: **Richard Gerard Storcks**, Toms River, NJ (US); **Jennifer Storcks**, Toms River, NJ (US)

(72) Inventors: **Richard Gerard Storcks**, Toms River, NJ (US); **Jennifer Storcks**, Toms River, NJ (US)

(\*\*) Term: **15 Years**

(21) Appl. No.: **29/671,516**

(22) Filed: **Nov. 28, 2018**

(51) **LOC (12) Cl.** ..... **27-06**

(52) **U.S. Cl.**  
USPC ..... **D27/183**

(58) **Field of Classification Search**  
USPC ..... D27/183, 102, 103, 106, 117, 133, 134, 135, 138, 172; 131/175, 187, 231, 131/240.1, 241  
CPC ... A24F 19/00; A24F 19/0014; A24F 19/0035  
See application file for complete search history.

(56) **References Cited**

**U.S. PATENT DOCUMENTS**

1,829,454	A	*	10/1931	Pride	.....	A24D 1/042
						131/76
D103,115	S	*	2/1937	Mackelfresh	.....	D27/135
D119,310	S	*	3/1940	Pesce	.....	D27/135
D412,762	S	*	8/1999	Miller	.....	D27/102
D415,852	S	*	10/1999	Miller	.....	D27/102
D550,898	S	*	9/2007	Burkholder	.....	D27/183
D564,704	S	*	3/2008	Chuang	.....	D27/103
8,770,205	B1	*	7/2014	Hopwood	.....	A24F 13/22
						131/257
D785,860	S	*	5/2017	Fischer	.....	D27/102
D790,128	S	*	6/2017	Khoury	.....	D27/183
D805,249	S	*	12/2017	Casalino	.....	D27/183

D834,248	S	*	11/2018	Cordani	.....	D27/172
D844,238	S	*	3/2019	Nellestein	.....	D27/183
D857,986	S	*	8/2019	Nellestein	.....	D27/183
2017/0000186	A1	*	1/2017	Pesce	.....	A24F 13/12

**OTHER PUBLICATIONS**

<https://www.etsy.com/no-en/listing/694637619/cigar-gift-set-bourbon-barrel-cigar> (Apr. 17, 2019 ).\*

\* cited by examiner

*Primary Examiner* — Marissa J Cash  
*Assistant Examiner* — Rebecca Tsehaye  
(74) *Attorney, Agent, or Firm* — Dunlap Bennett & Ludwig PLLC

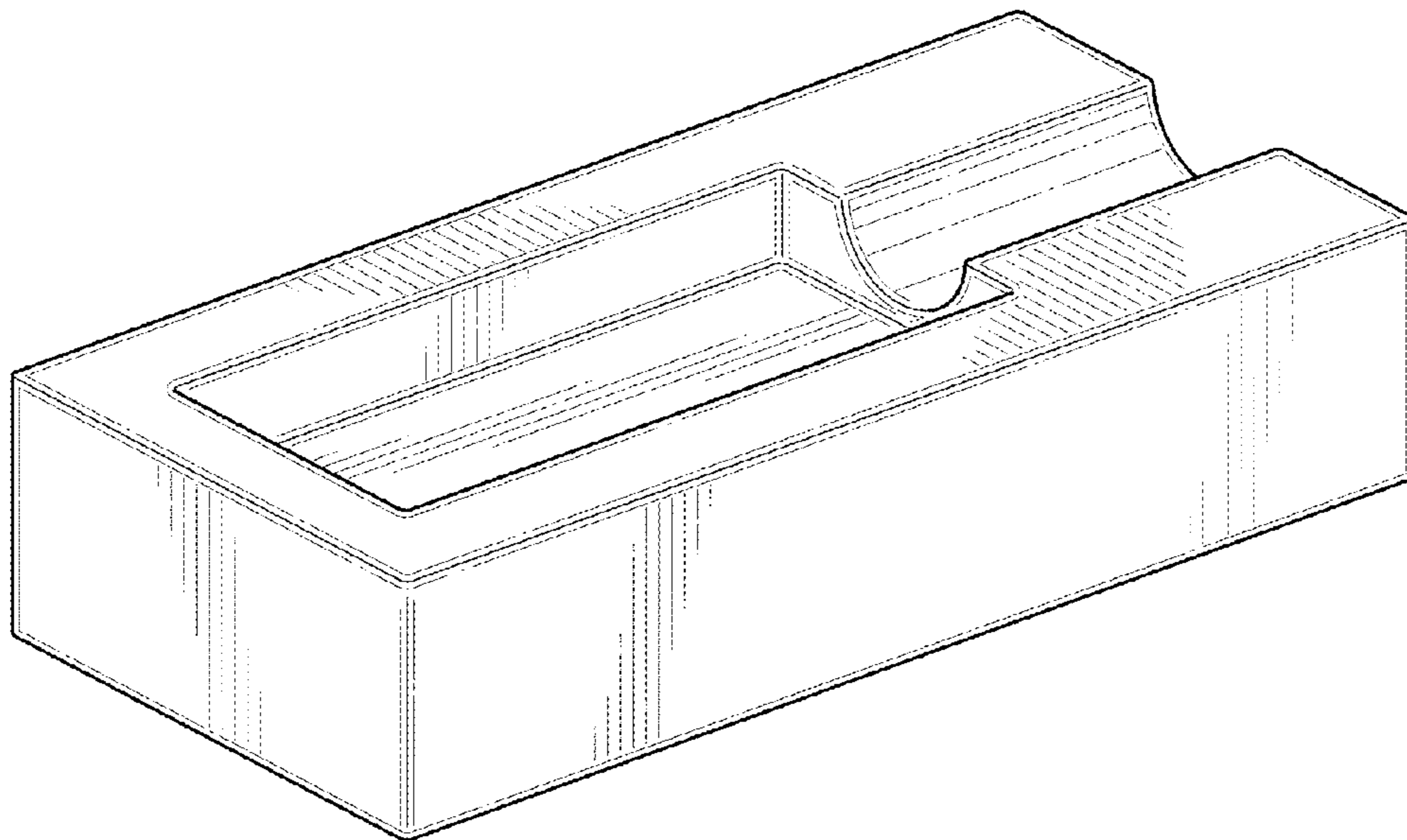
(57) **CLAIM**

The ornamental design for a cigar tray, as shown and described.

**DESCRIPTION**

FIG. 1 is a perspective view of a cigar tray, showing my new design;  
FIG. 2 is a top plan view thereof;  
FIG. 3 is a front elevation view thereof;  
FIG. 4 is a rear elevation view thereof;  
FIG. 5 is a left side elevation view thereof;  
FIG. 6 is a right side elevation view thereof; and,  
FIG. 7 is a perspective view of the cigar tray shown in use. The broken lines showing a cigar in FIG. 7 depicts environmental subject matter that forms no part of the claimed design.

**1 Claim, 3 Drawing Sheets**



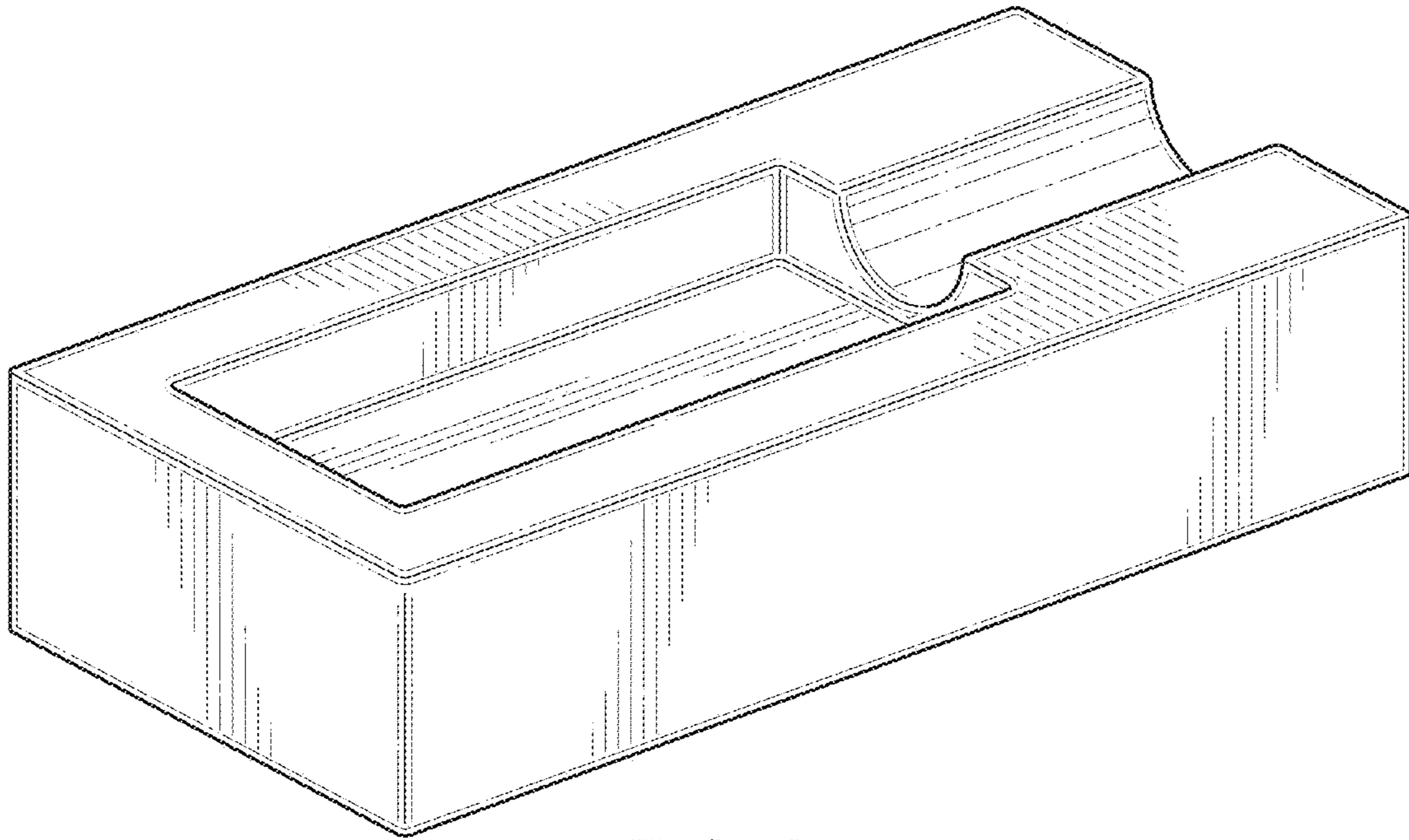


FIG. 1

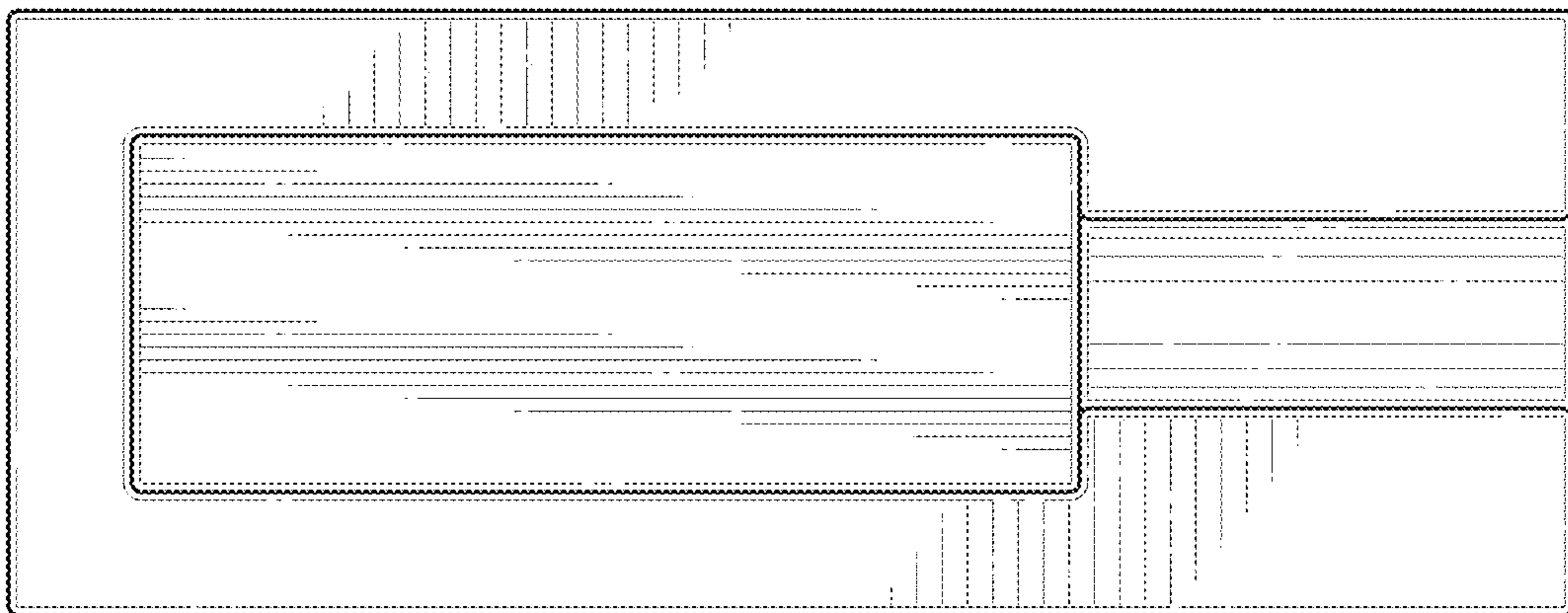
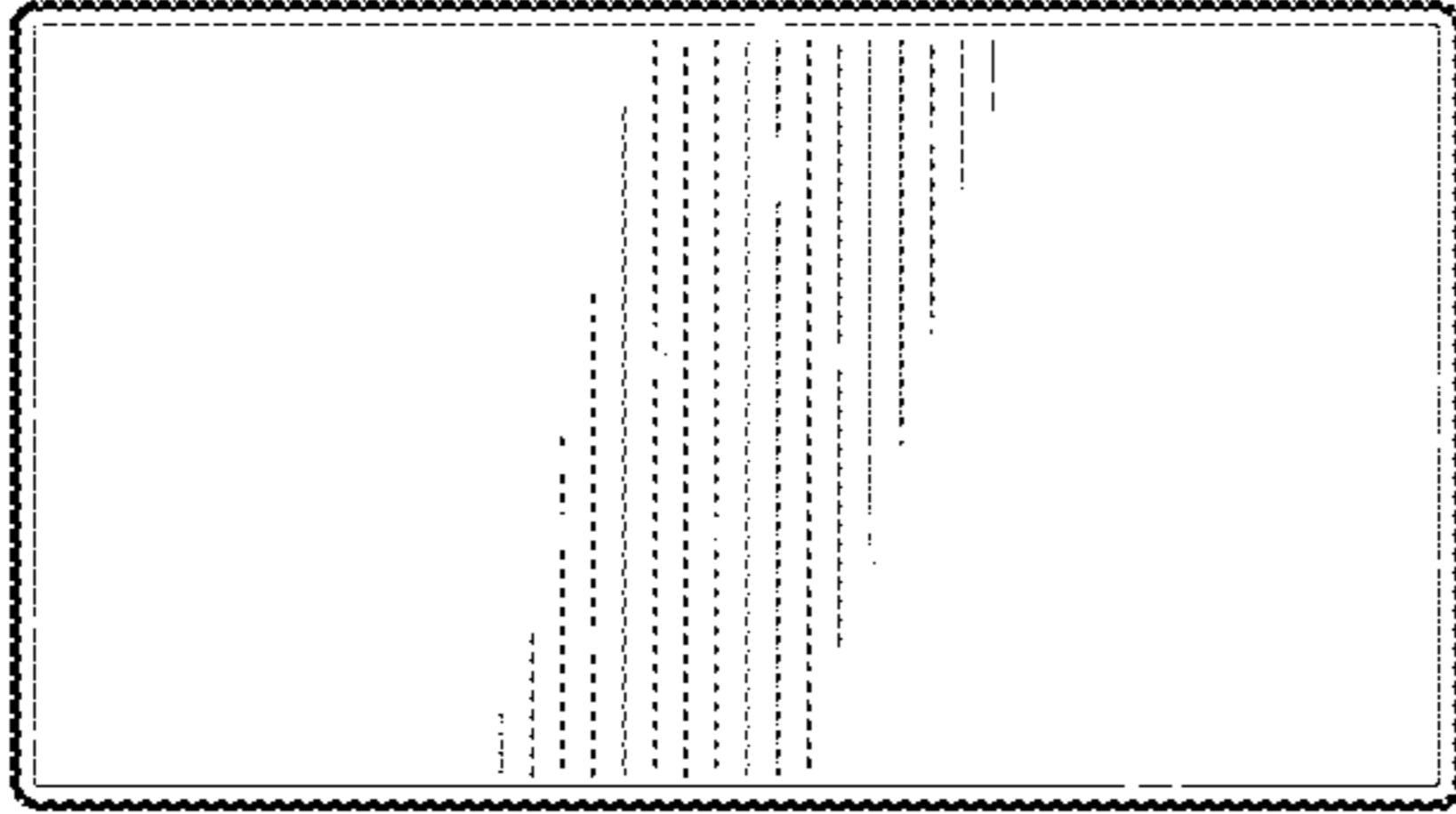
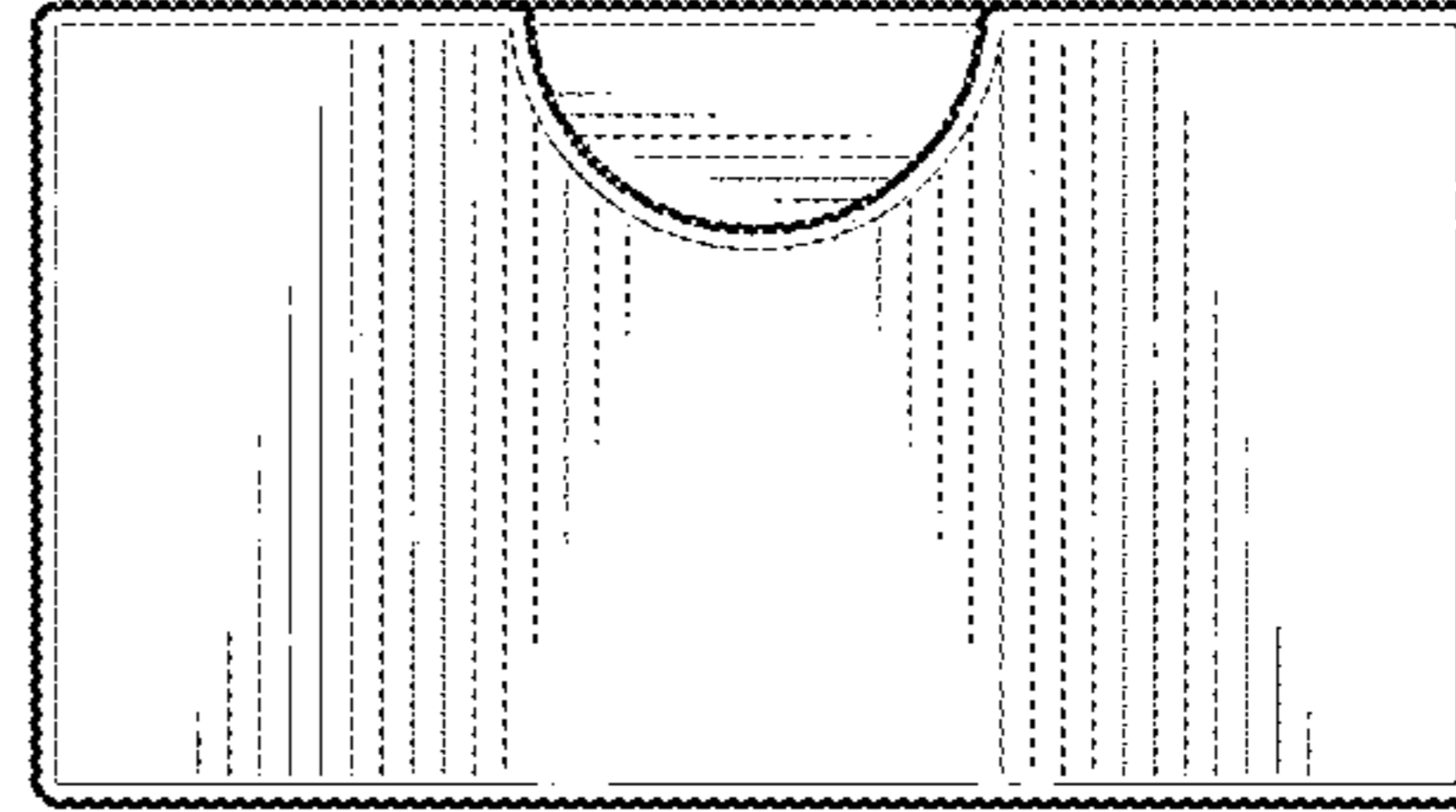


FIG. 2



**FIG. 3**



**FIG. 4**



**FIG. 5**



**FIG. 6**

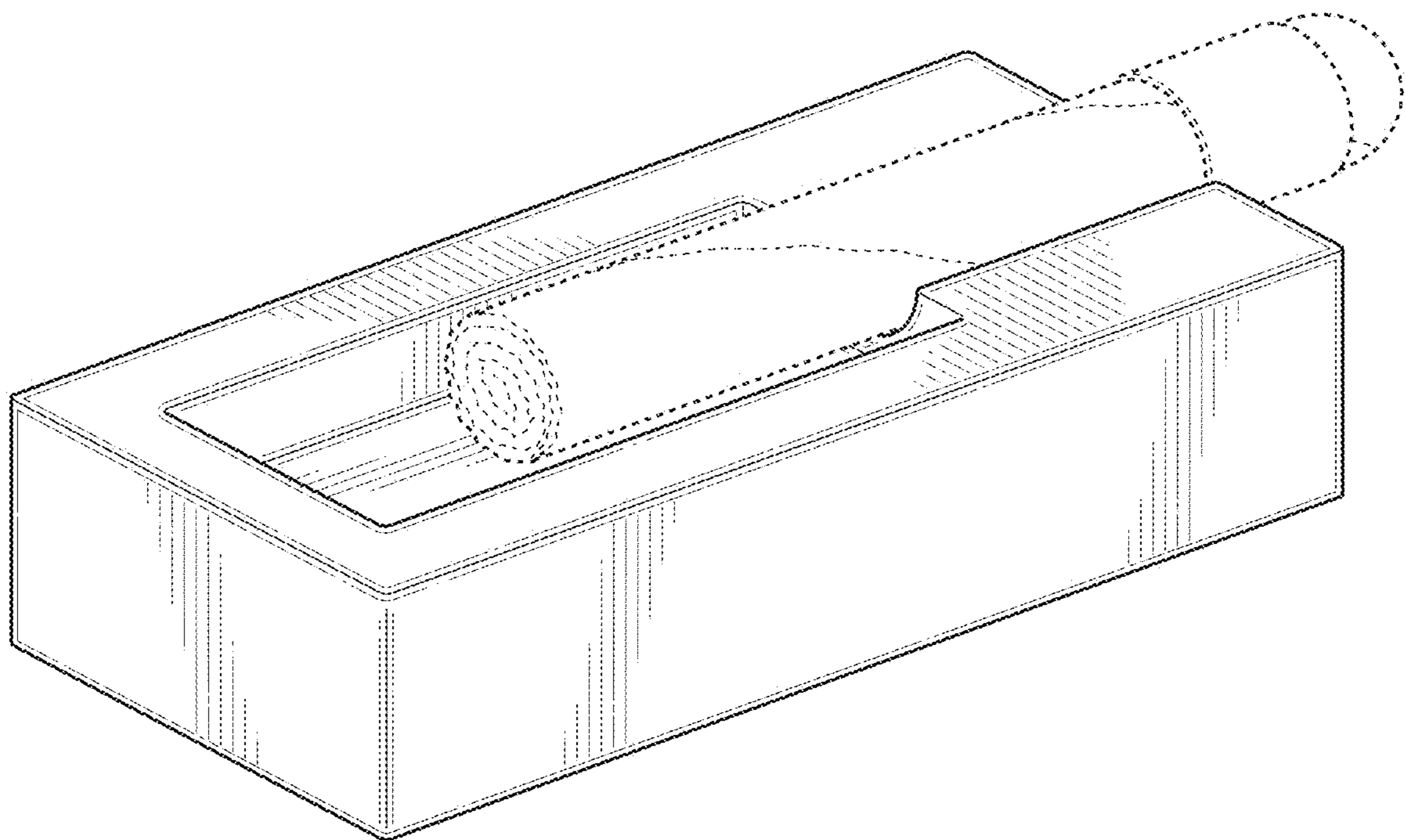


FIG. 7