



US00D875306S

(12) **United States Design Patent** (10) **Patent No.:** **US D875,306 S**
Pan (45) **Date of Patent:** **** Feb. 11, 2020**

(54) **ELECTRONIC CIGARETTE**

(71) Applicant: **SHENZHEN SMOORE TECHNOLOGY LIMITED**,
Shenzhen, Guangdong (CN)

(72) Inventor: **Weidong Pan**, Guangdong (CN)

(73) Assignee: **Shenzhen Smoore Technology Limited**, Shenzhen (CN)

(**) Term: **15 Years**

(21) Appl. No.: **29/647,827**

(22) Filed: **May 16, 2018**

(30) **Foreign Application Priority Data**

Jan. 19, 2018 (CN) 2018 3 0027154

(51) **LOC (12) Cl.** **27-02**

(52) **U.S. Cl.**
USPC **D27/167**

(58) **Field of Classification Search**
USPC D27/100, 101, 162-196; D23/366;
D24/110; D19/101, 106, 115, 165, 195
(Continued)

(56) **References Cited**

U.S. PATENT DOCUMENTS

D446,499 S * 8/2001 Andre D13/110
D532,927 S * 11/2006 Sann D27/101
(Continued)

Primary Examiner — Marissa J Cash

(74) *Attorney, Agent, or Firm* — Ladas & Parry LLP

(57) **CLAIM**

The ornamental design for an electronic cigarette, as shown and described.

DESCRIPTION

FIG. 1 is a front elevational view of the first component removed from the a electronic cigarette shown in FIG. 17, for clarity of disclosure;

FIG. 2 is a rear elevational view thereof;
FIG. 3 is a left side elevational view thereof;
FIG. 4 is a right side elevational view thereof;
FIG. 5 is a top plan view thereof;
FIG. 6 is a bottom plan view thereof;
FIG. 7 is a front, right, and top perspective view thereof;
and,
FIG. 8 is a rear, left, and bottom perspective view thereof.
FIG. 9 is a front elevational view of the second component removed from the electronic cigarette shown in FIG. 17, for clarity of disclosure;
FIG. 10 is a rear elevational view thereof;
FIG. 11 is a left side elevational view thereof;
FIG. 12 is a right side elevational view thereof;
FIG. 13 is a top plan view thereof;
FIG. 14 is a bottom plan view thereof;
FIG. 15 is a front, right, and top perspective view thereof;
and
FIG. 16 is a rear, left, and bottom perspective view thereof.
FIG. 17 is a front elevational view of the first embodiment of an electronic cigarette shown in an assembled configuration of use where the two components shown in FIGS. 1 & 9 are combined;
FIG. 18 is a rear elevational view thereof;
FIG. 19 is a left side elevational view thereof;
FIG. 20 is a right side elevational view thereof;
FIG. 21 is a top plan view thereof;
FIG. 22 is a bottom plan view thereof;
FIG. 23 is a front, right, and top perspective view thereof;
and
FIG. 24 is a rear, left, and bottom perspective view thereof.
FIG. 25 is a front elevational view of the first component removed from the electronic cigarette shown in FIG. 41, for clarity of disclosure;
FIG. 26 is a rear elevational view thereof;
FIG. 27 is a left side elevational view thereof;
FIG. 28 is a right side elevational view thereof;
FIG. 29 is a top plan view thereof;
FIG. 30 is a bottom plan view thereof;
FIG. 31 is a front, right, and top perspective view thereof;
and
FIG. 32 is a rear, left, and bottom perspective view thereof.

(Continued)

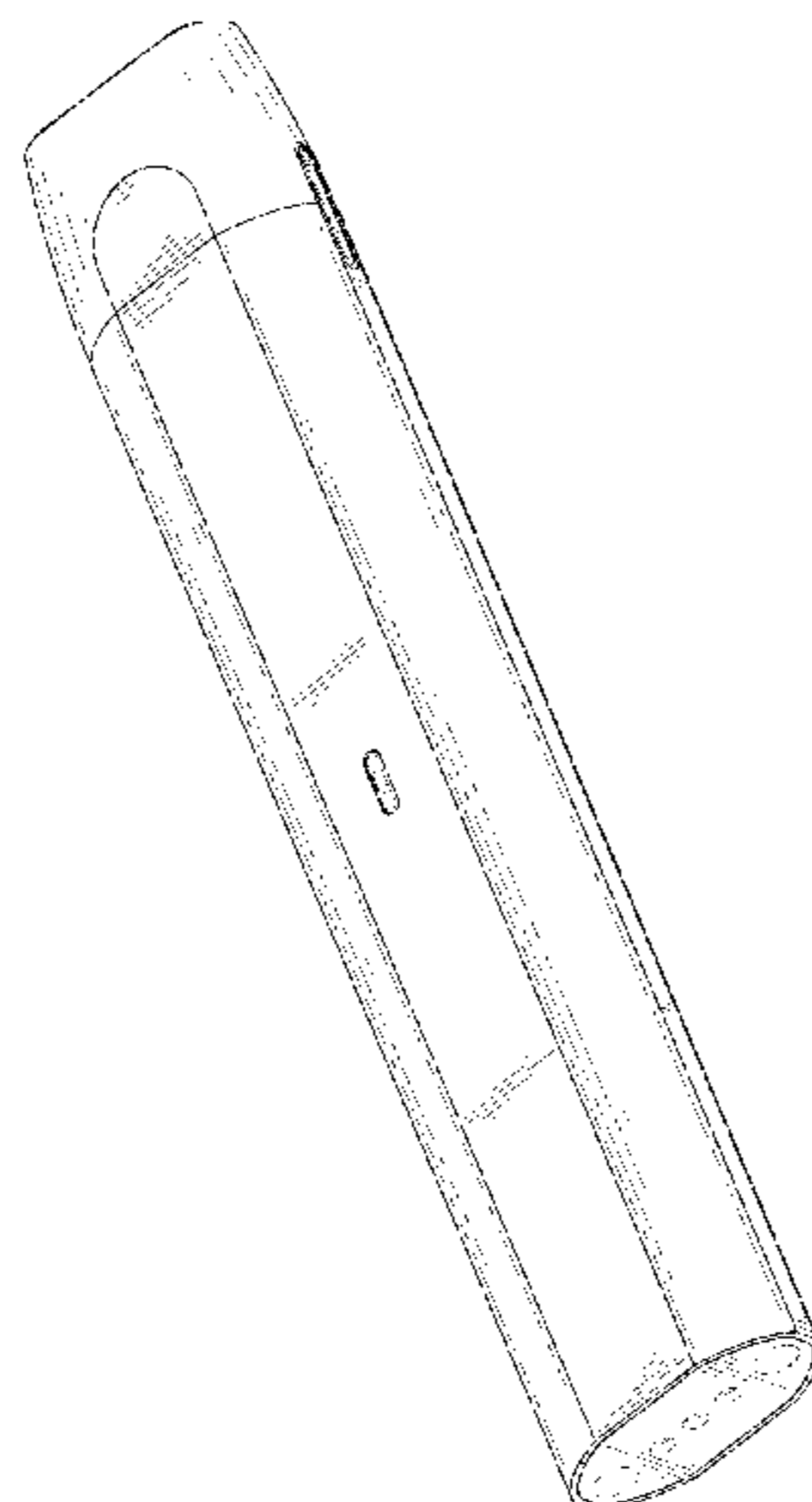


FIG. 33 is a front elevational view of the second component removed from the electronic cigarette shown in FIG. 41, for clarity of disclosure;
 FIG. 34 is a rear elevational view thereof;
 FIG. 35 is a left side elevational view thereof;
 FIG. 36 is a right side elevational view thereof;
 FIG. 37 is a top plan view thereof;
 FIG. 38 is a bottom plan view thereof;
 FIG. 39 is a front, right, and top perspective view thereof; and
 FIG. 40 is a rear, left, and bottom perspective view thereof.
 FIG. 41 is a front elevational view of the second embodiment of an electronic cigarette shown in an assembled configuration of use where the two components shown in FIGS. 25 and 33 are combined;
 FIG. 42 is a rear elevational view thereof;
 FIG. 43 is a left side elevational view thereof;
 FIG. 44 is a right side elevational view thereof;
 FIG. 45 is a top plan view thereof;
 FIG. 46 is a bottom plan view thereof;
 FIG. 47 is a rear, left, and bottom perspective view thereof; and
 FIG. 48 is a front, right, and top perspective view thereof.
 The broken lines in the figures are included for the purpose of illustrating portions of the article which form no part of the claimed design.

1 Claim, 48 Drawing Sheets

(58) **Field of Classification Search**

CPC A24F 47/00; A24F 47/002; A24F 15/12; A24F 1/32

See application file for complete search history.

(56) **References Cited**

U.S. PATENT DOCUMENTS

D665,734 S * 8/2012 Fitch D13/107
 D716,729 S * 11/2014 Kelly D13/110
 D757,352 S * 5/2016 Bagai D27/101
 D762,003 S * 7/2016 Lomeli D27/163
 D773,116 S * 11/2016 Liu D27/167
 D775,762 S * 1/2017 Chen D27/101
 D776,338 S * 1/2017 Lomeli D27/163
 D776,867 S * 1/2017 Rado D27/162
 D776,869 S * 1/2017 Heidl D27/163
 D779,719 S * 2/2017 Qiu D27/101
 D780,373 S * 2/2017 Bennett D27/186
 D786,497 S * 5/2017 Sudlow D27/162
 D788,697 S * 6/2017 Verleur D13/103
 D792,643 S * 7/2017 Wong D27/101
 D799,110 S * 10/2017 Qiu D27/101
 D799,113 S * 10/2017 Qiu D27/101
 D799,744 S * 10/2017 Qiu D27/101
 D811,003 S * 2/2018 Folyan D27/101
 D813,447 S * 3/2018 Watson D27/162
 D815,341 S * 4/2018 Qiu D27/101

D818,636 S * 5/2018 Qiu D27/101
 D818,638 S * 5/2018 Wright D27/170
 D819,263 S * 5/2018 Zhu D27/101
 D819,881 S * 6/2018 Qiu D27/101
 D821,867 S * 7/2018 Oligschlaeger D9/422
 D822,271 S * 7/2018 Eksouzian D27/101
 D822,896 S * 7/2018 Durand D27/101
 D824,093 S * 7/2018 Kauss D27/101
 D824,096 S * 7/2018 Qiu D27/167
 D825,099 S * 8/2018 Wright D27/101
 D825,102 S * 8/2018 Bowen D27/167
 D825,834 S * 8/2018 Chen D27/101
 D827,195 S * 8/2018 Chen D27/101
 D829,371 S * 9/2018 Durand D27/101
 D829,372 S * 9/2018 Huang D27/101
 D829,373 S * 9/2018 Huang D27/101
 D829,980 S * 10/2018 Qiu D27/162
 D832,499 S * 10/2018 Qiu D27/162
 D832,500 S * 10/2018 Qiu D27/162
 D833,063 S * 11/2018 Qiu D27/101
 D834,246 S * 11/2018 Qiu D27/162
 D834,744 S * 11/2018 Zhu D27/101
 D835,337 S * 12/2018 Beer D27/162
 D836,831 S * 12/2018 Cividi D27/162
 D837,446 S * 1/2019 Durand D27/101
 D839,745 S * 2/2019 Rehman D9/529
 D842,535 S * 3/2019 Kauss D27/101
 D842,536 S * 3/2019 Bowen D27/167
 D843,644 S * 3/2019 Qiu D27/101
 D844,229 S * 3/2019 Sherwood D27/162
 D844,235 S * 3/2019 Cividi D27/167
 D849,996 S * 5/2019 Duque D27/194
 2015/0034104 A1 * 2/2015 Zhou A24F 47/008
 131/329
 2015/0108019 A1 * 4/2015 Liu A24F 15/12
 206/267
 2015/0114410 A1 * 4/2015 Doster A24F 47/008
 131/329
 2015/0237918 A1 * 8/2015 Liu A24F 47/008
 131/328
 2016/0345626 A1 * 12/2016 Wong A24F 47/008
 2017/0119044 A1 * 5/2017 Oligschlaeger A24F 15/00
 2017/0150755 A1 * 6/2017 Batista A24F 47/008
 2017/0181468 A1 * 6/2017 Bowen A24F 47/004
 2017/0233114 A1 * 8/2017 Christensen B65B 3/003
 141/2
 2017/0258142 A1 * 9/2017 Hatton A24F 47/008
 2017/0259170 A1 * 9/2017 Bowen A24F 47/008
 2018/0020738 A1 * 1/2018 Qiu F22B 1/284
 131/329
 2018/0043114 A1 * 2/2018 Bowen A61M 15/003
 2018/0098571 A1 * 4/2018 Watson A24F 47/008
 2018/0153221 A1 * 6/2018 Verleur A24F 47/008
 2018/0213847 A1 * 8/2018 Reevell A24F 47/008
 2018/0279674 A1 * 10/2018 Watson A24F 7/02
 2018/0279682 A1 * 10/2018 Guo A24F 47/008
 2018/0303162 A1 * 10/2018 Zhang A24F 47/008
 2018/0310618 A1 * 11/2018 Watson H05B 1/0227
 2019/0008208 A1 * 1/2019 Cirillo A24F 47/008
 2019/0029319 A1 * 1/2019 Moorman A24F 47/008
 2019/0037926 A1 * 2/2019 Qiu A24F 47/008
 2019/0053542 A1 * 2/2019 Chen A24F 47/008
 2019/0124996 A1 * 5/2019 Qiu A24F 47/008
 2019/0159519 A1 * 5/2019 Bowen A24F 47/008

* cited by examiner

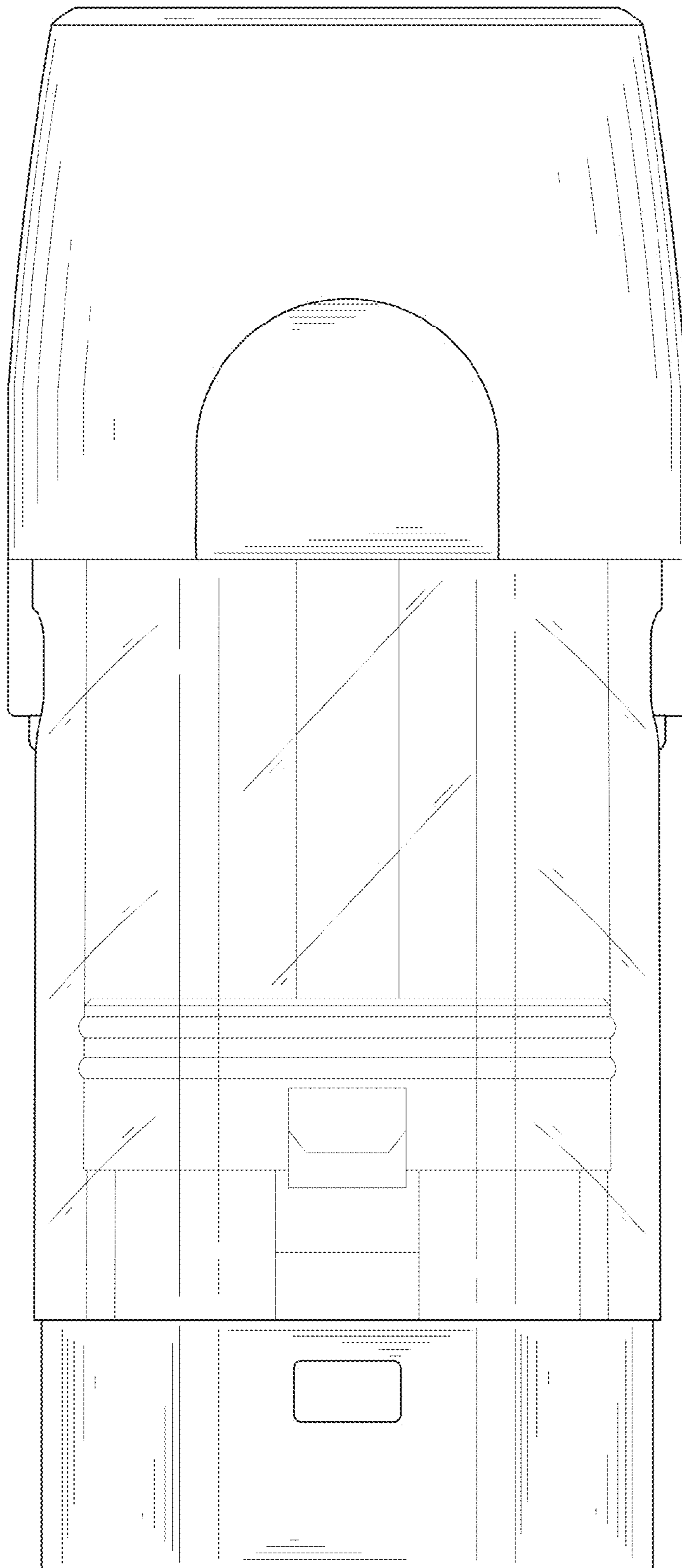


FIG. 1

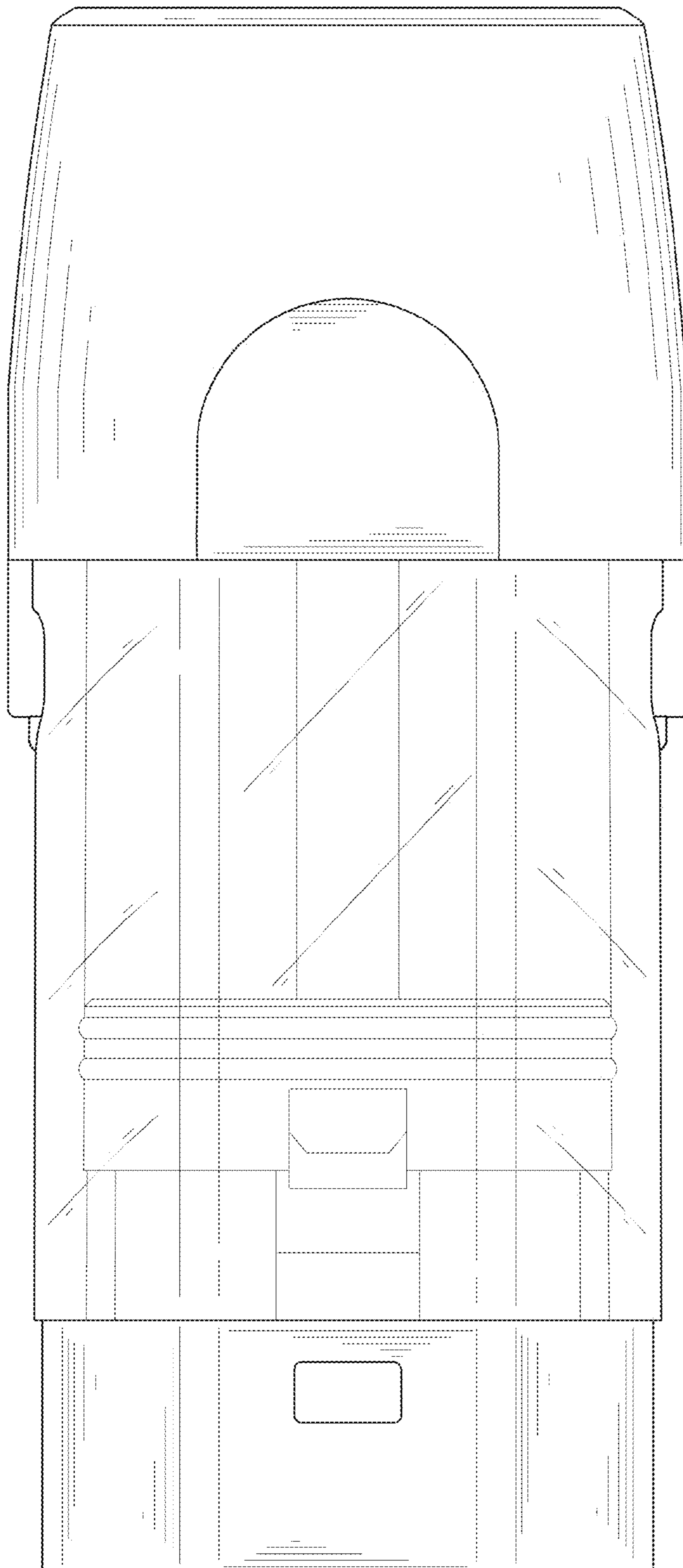


FIG. 2

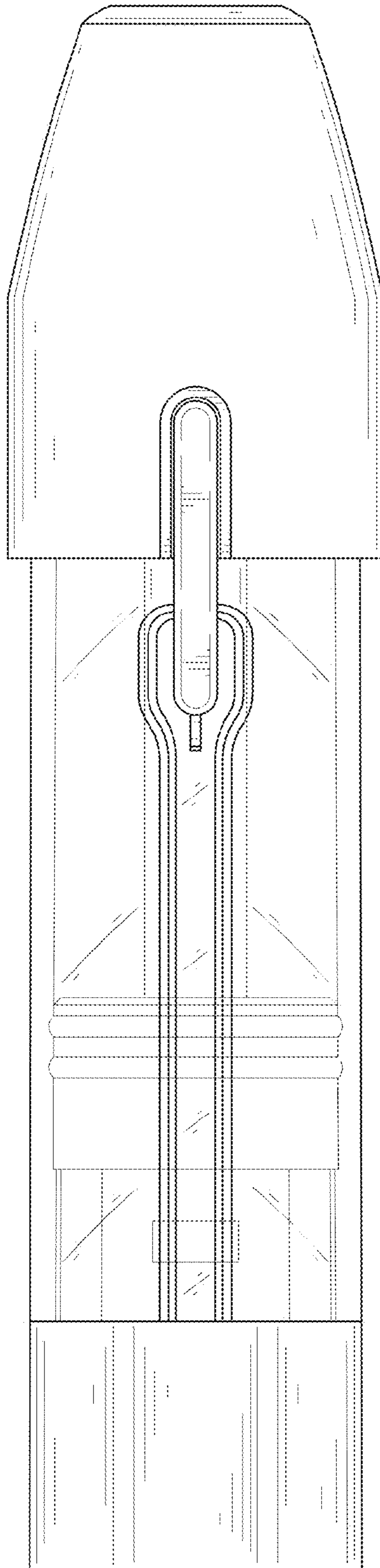


FIG. 3

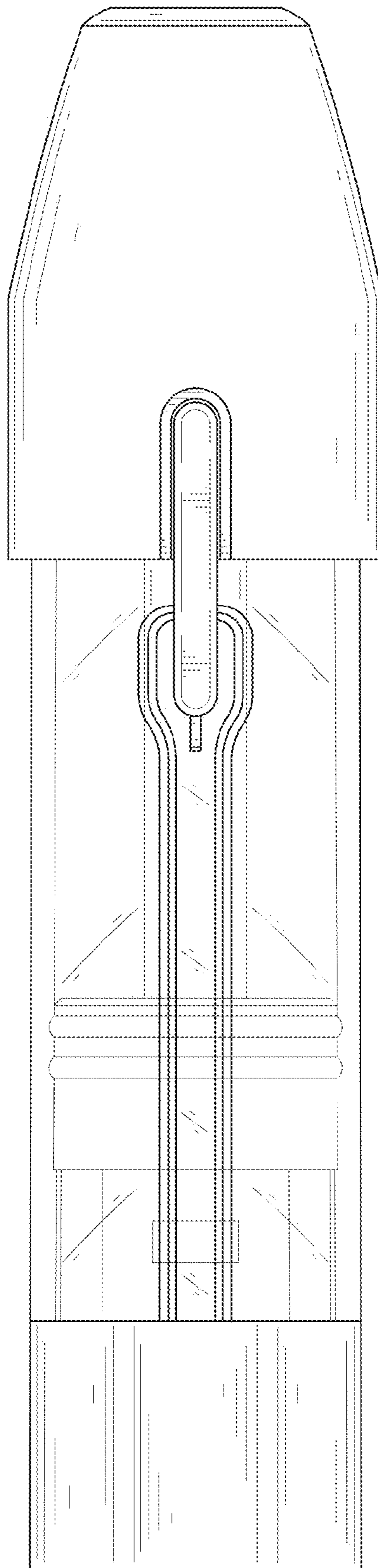


FIG. 4

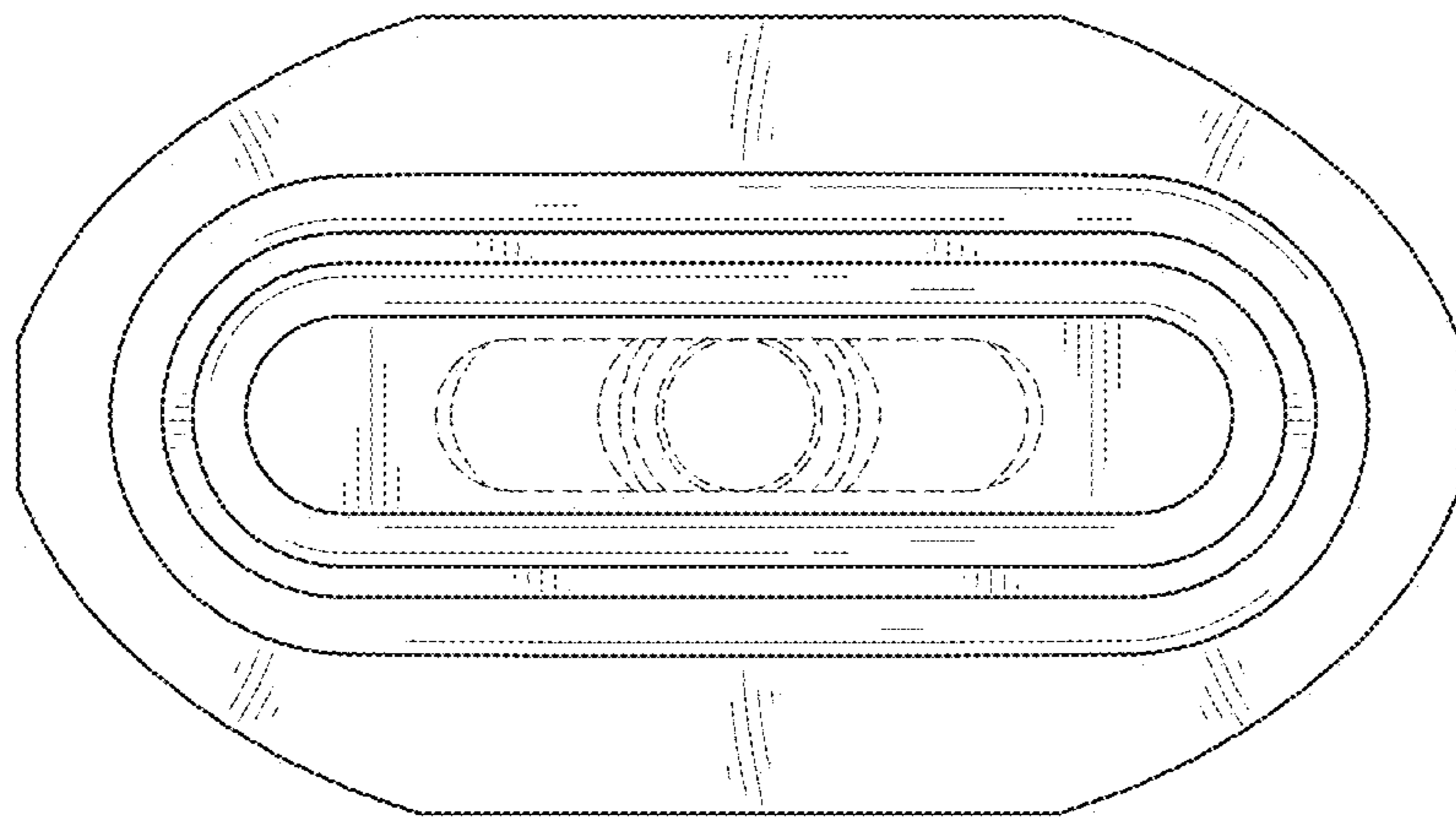


FIG. 5

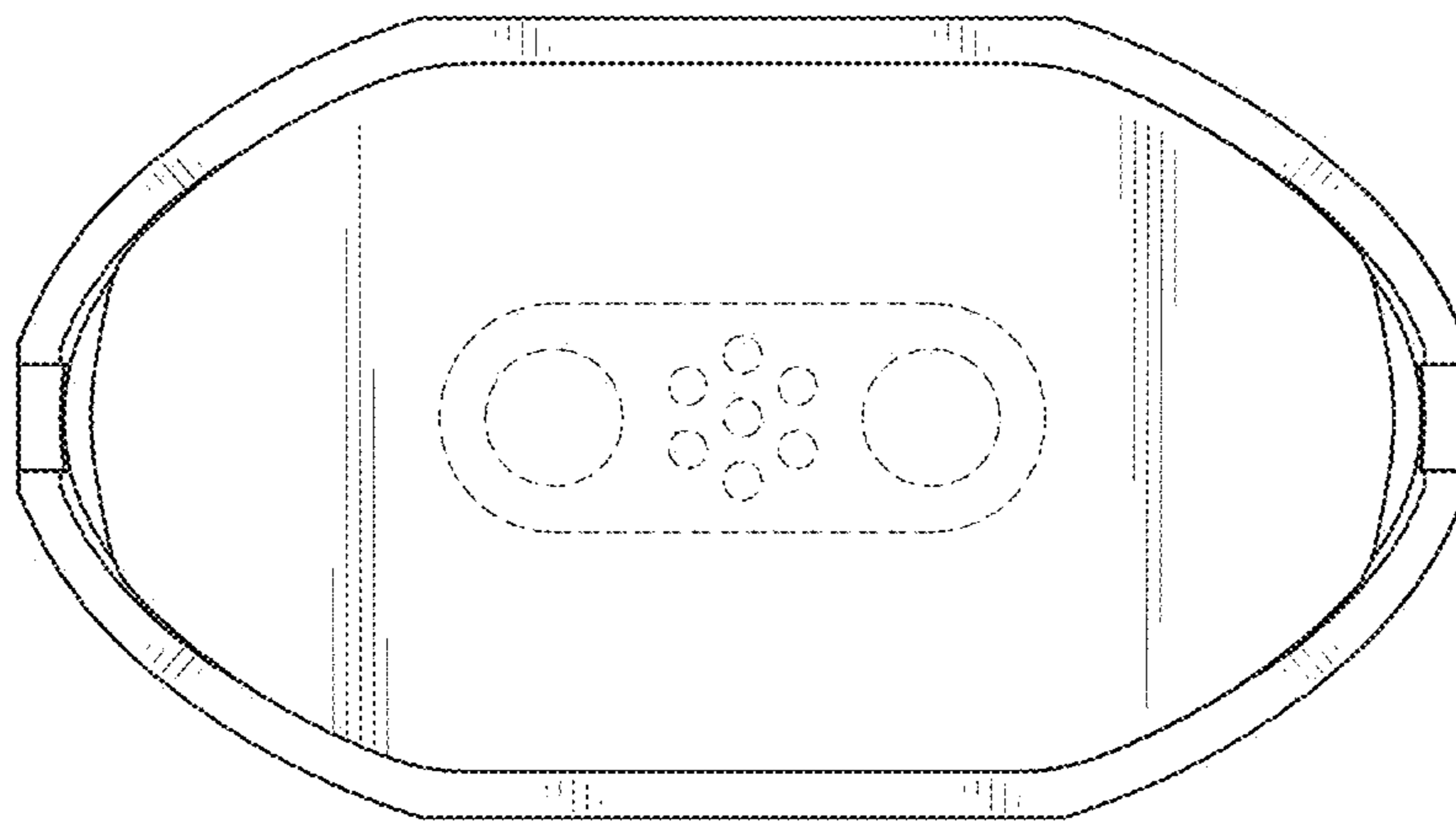


FIG. 6

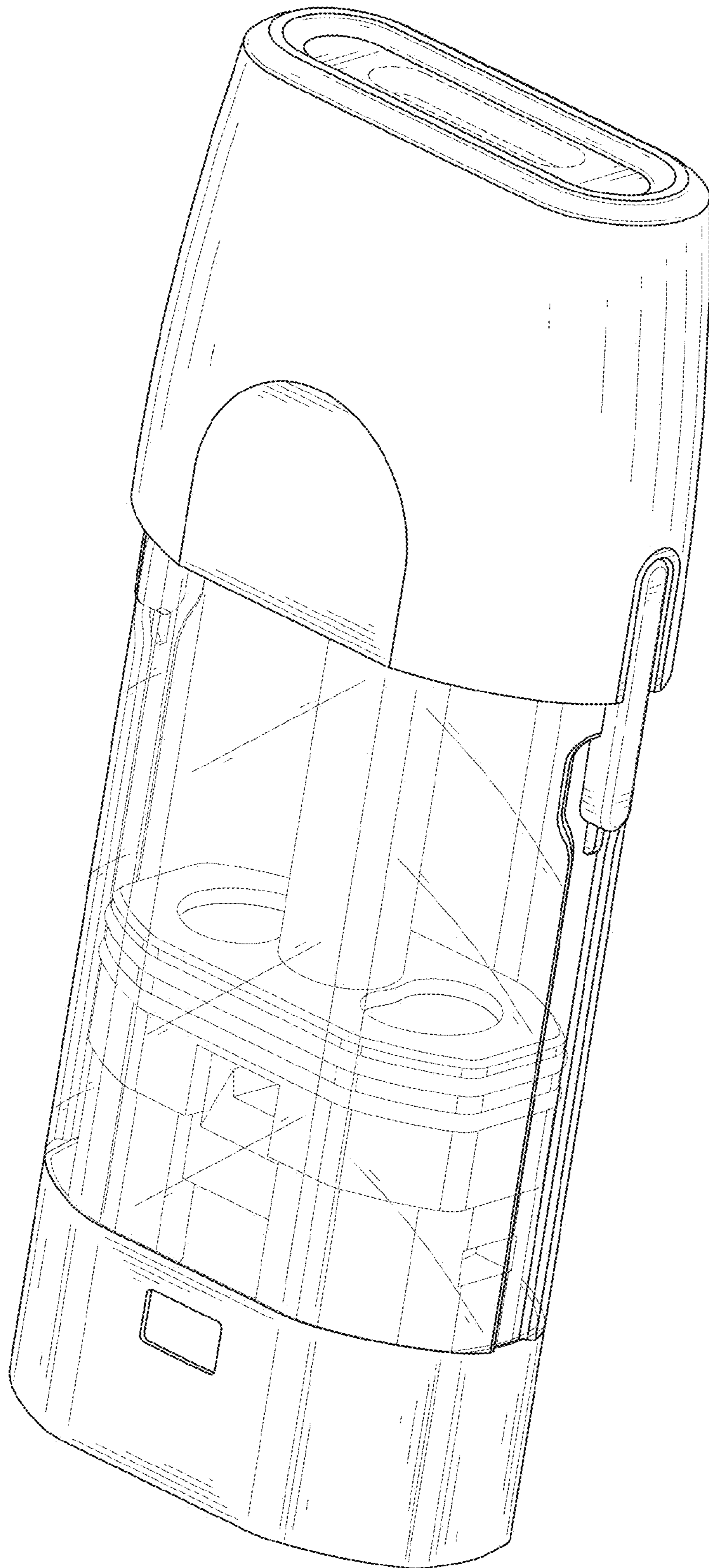


FIG. 7

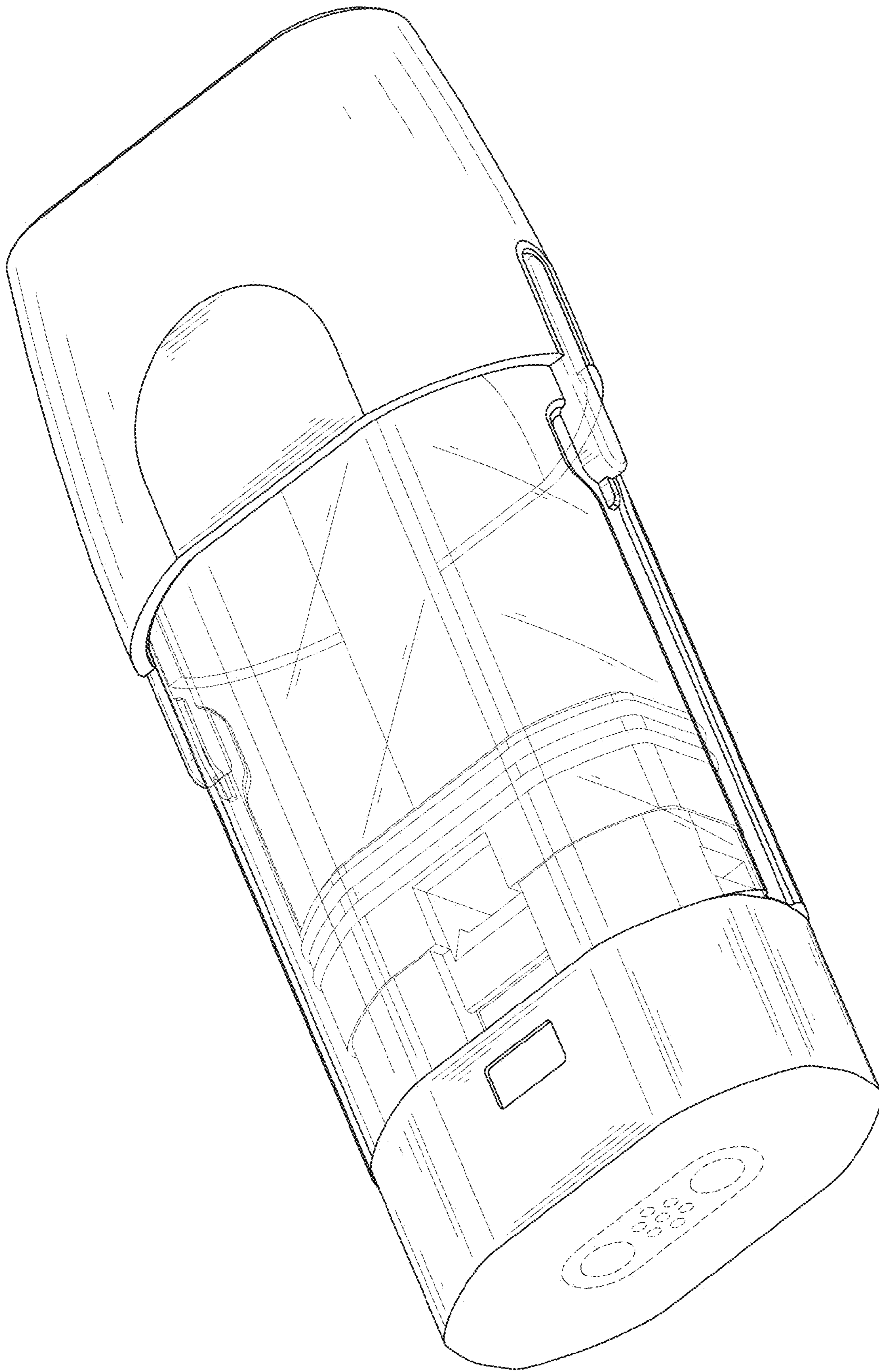


FIG. 8

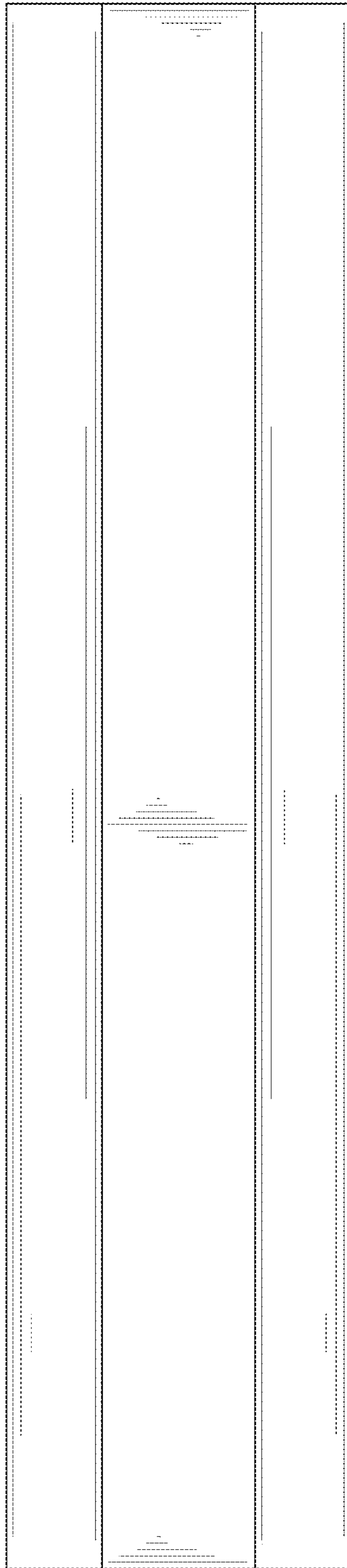


FIG. 9

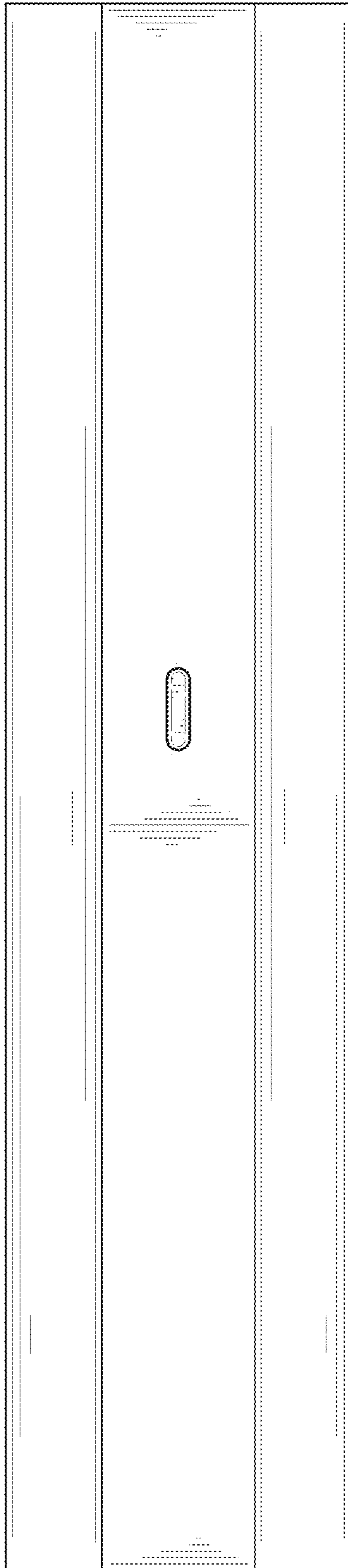


FIG. 10

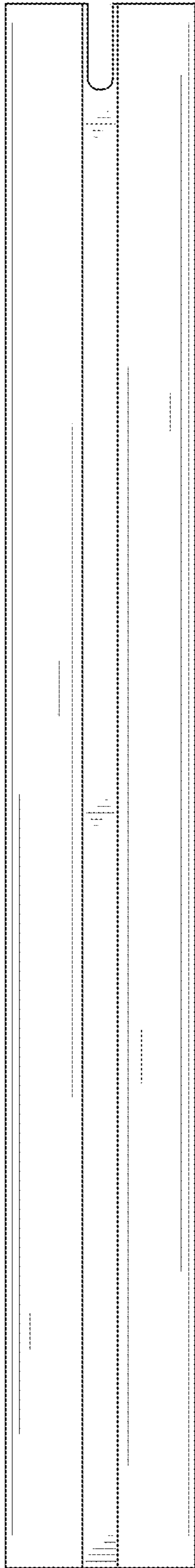


FIG. 11

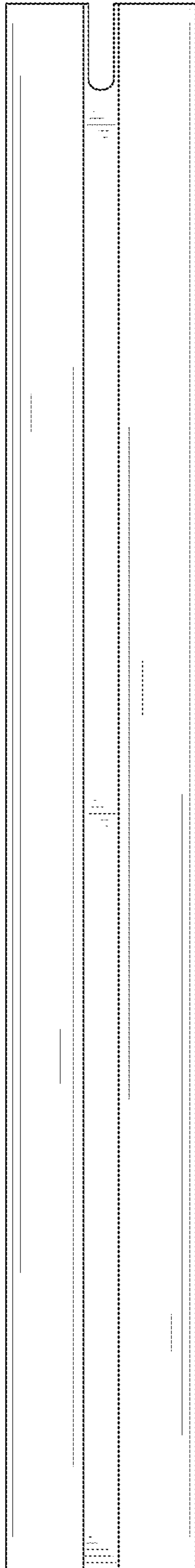


FIG. 12

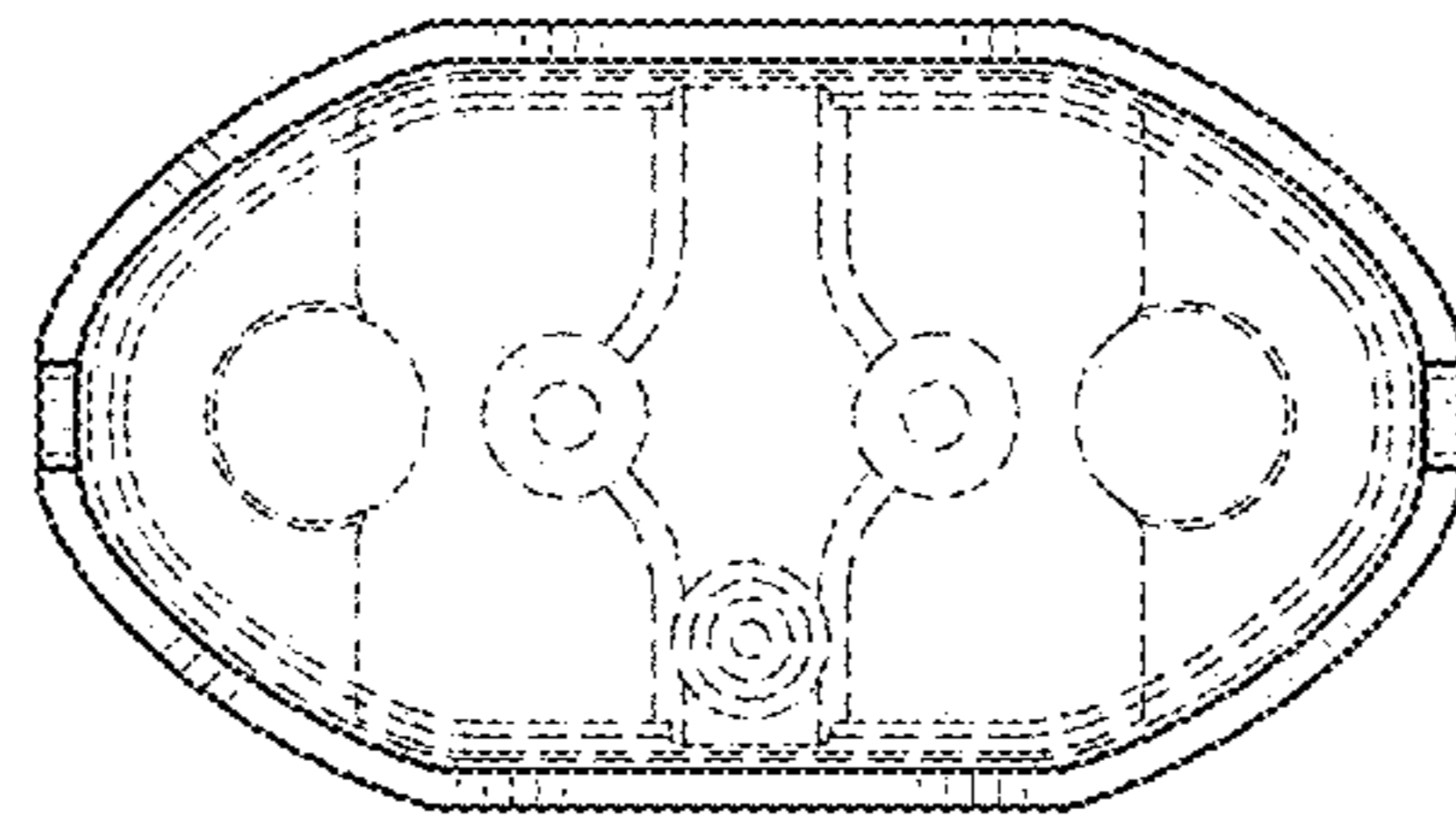


FIG. 13

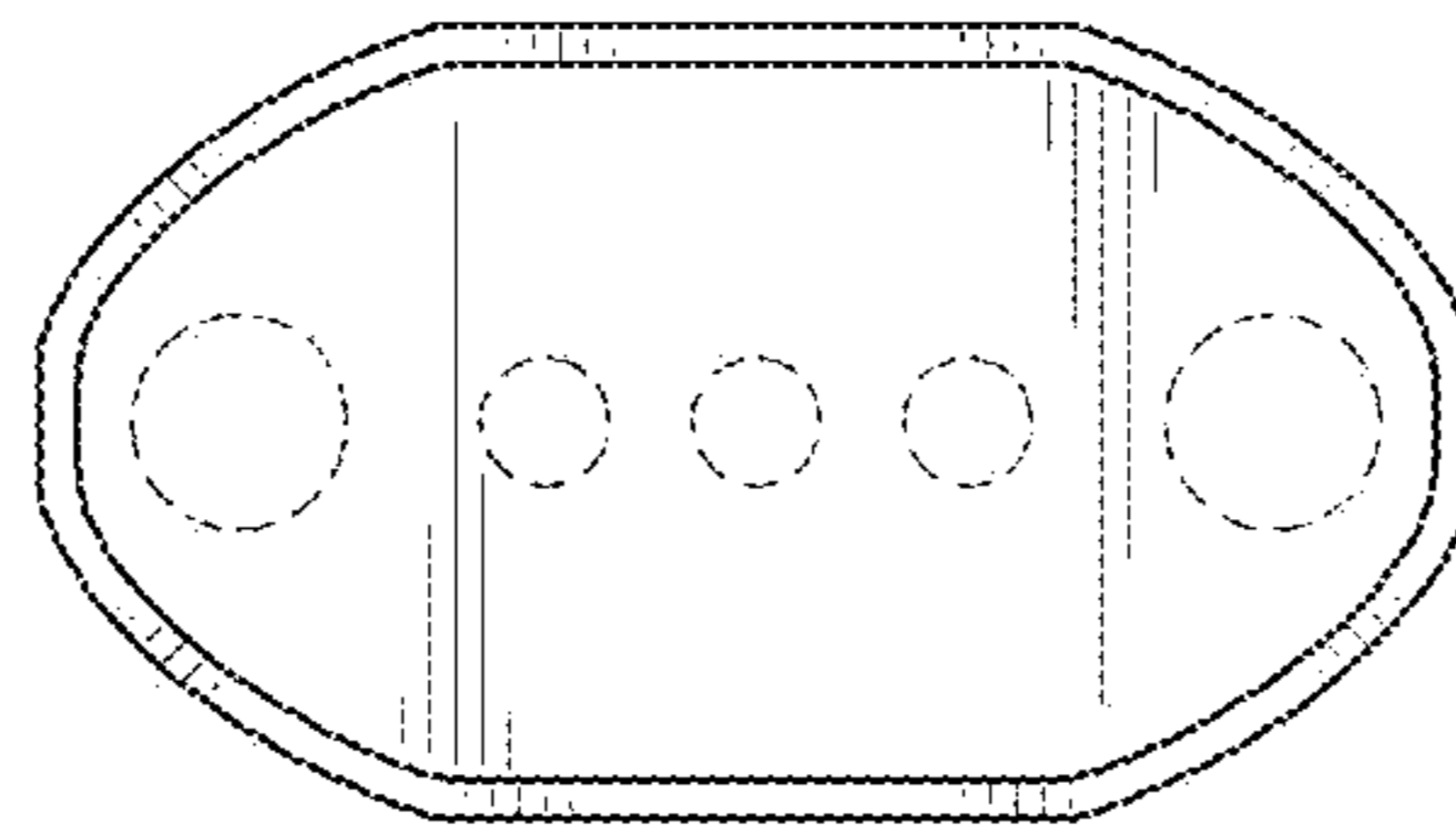


FIG. 14

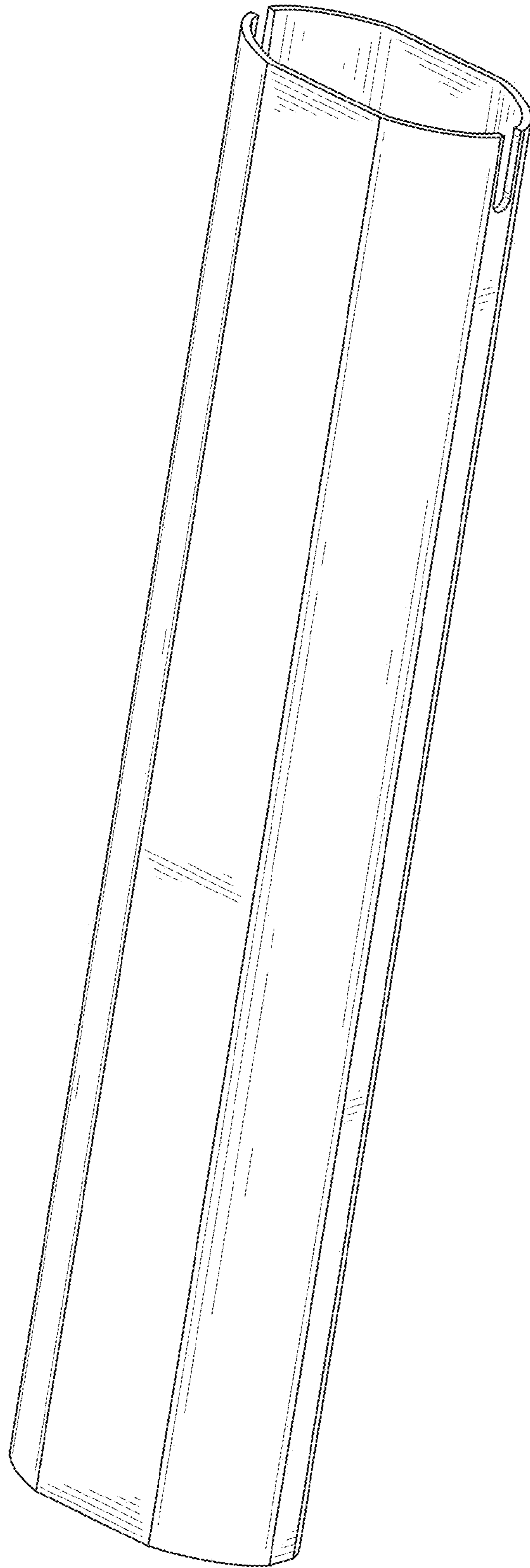


FIG. 15

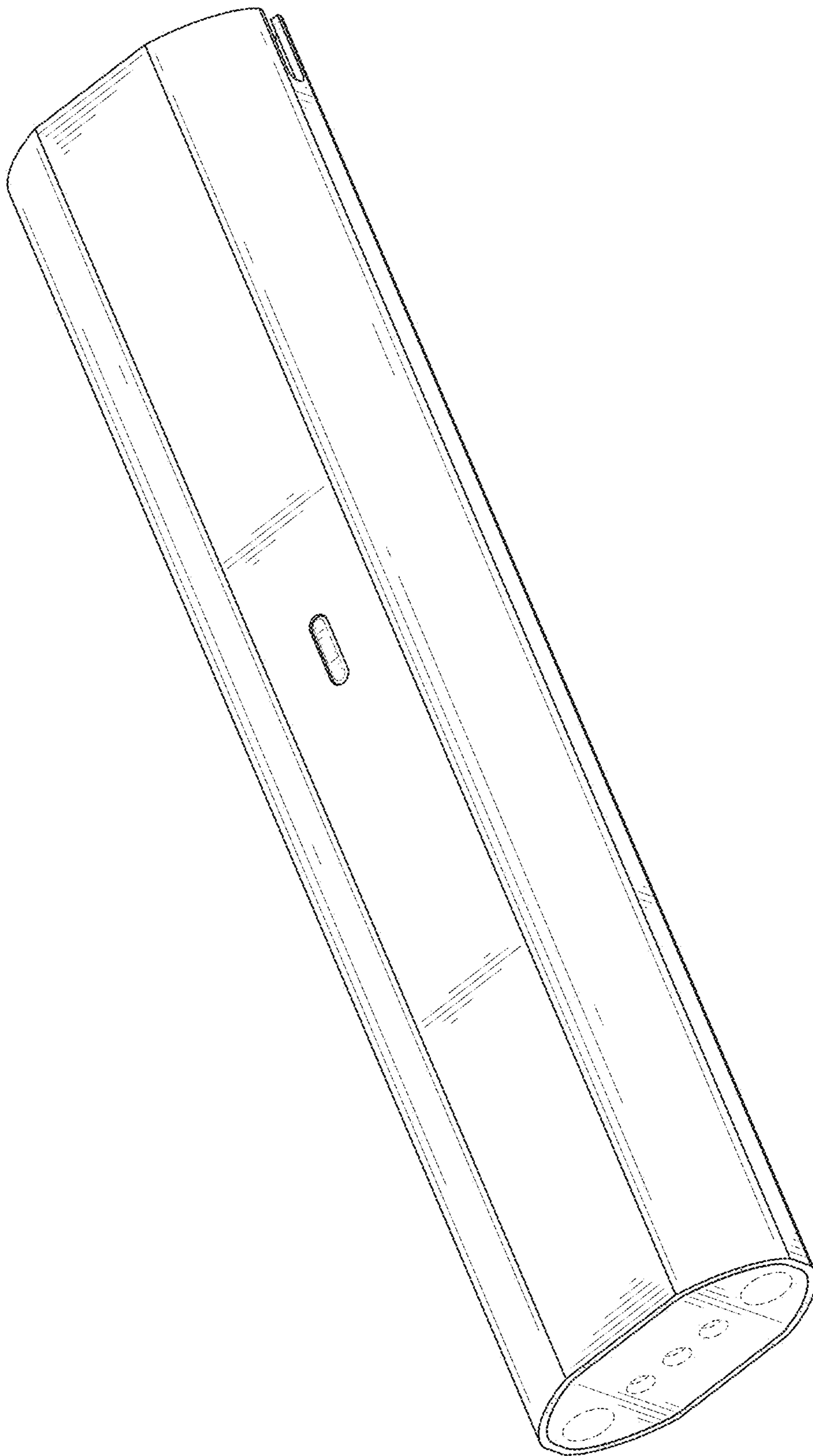


FIG. 16

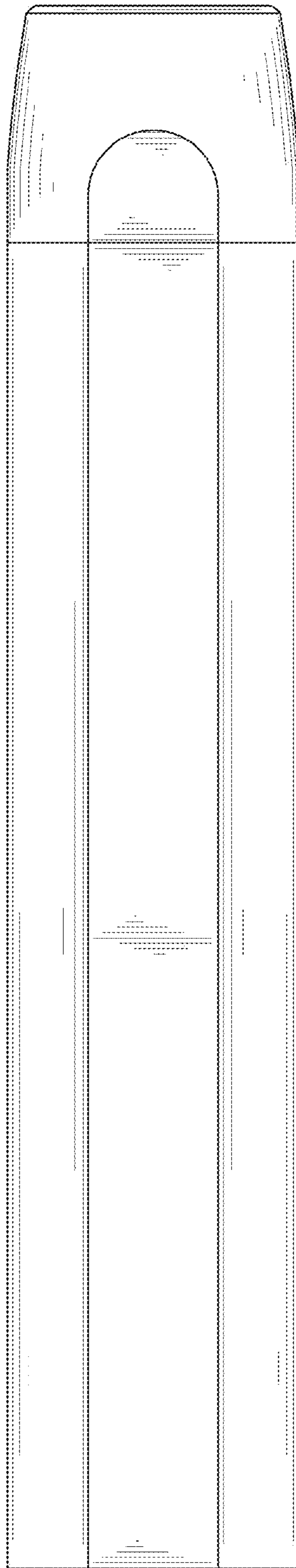


FIG. 17

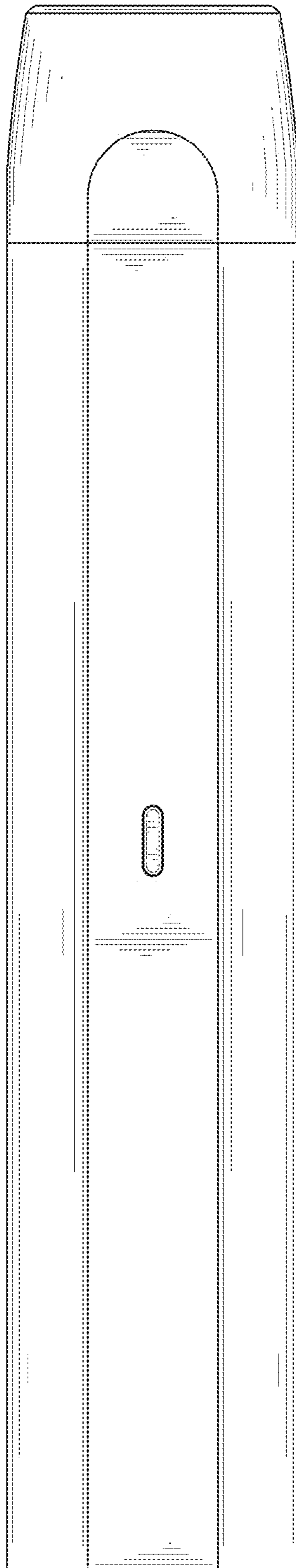


FIG. 18

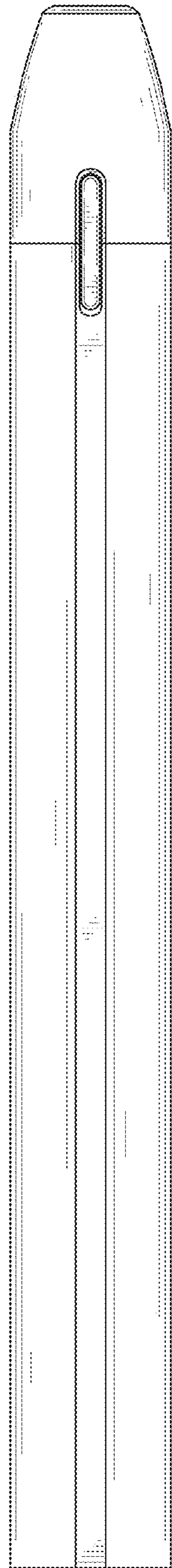


FIG. 19

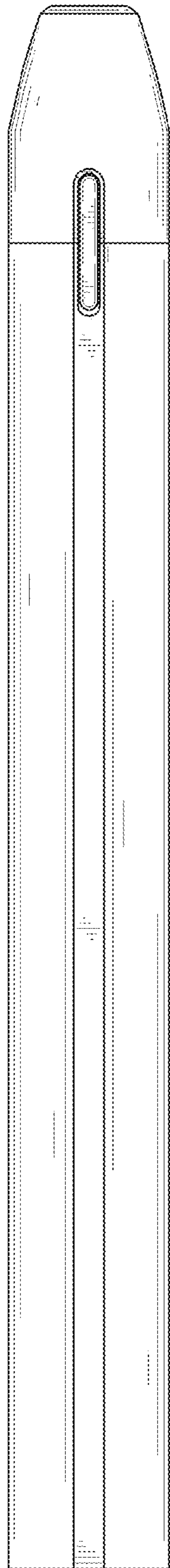


FIG. 20

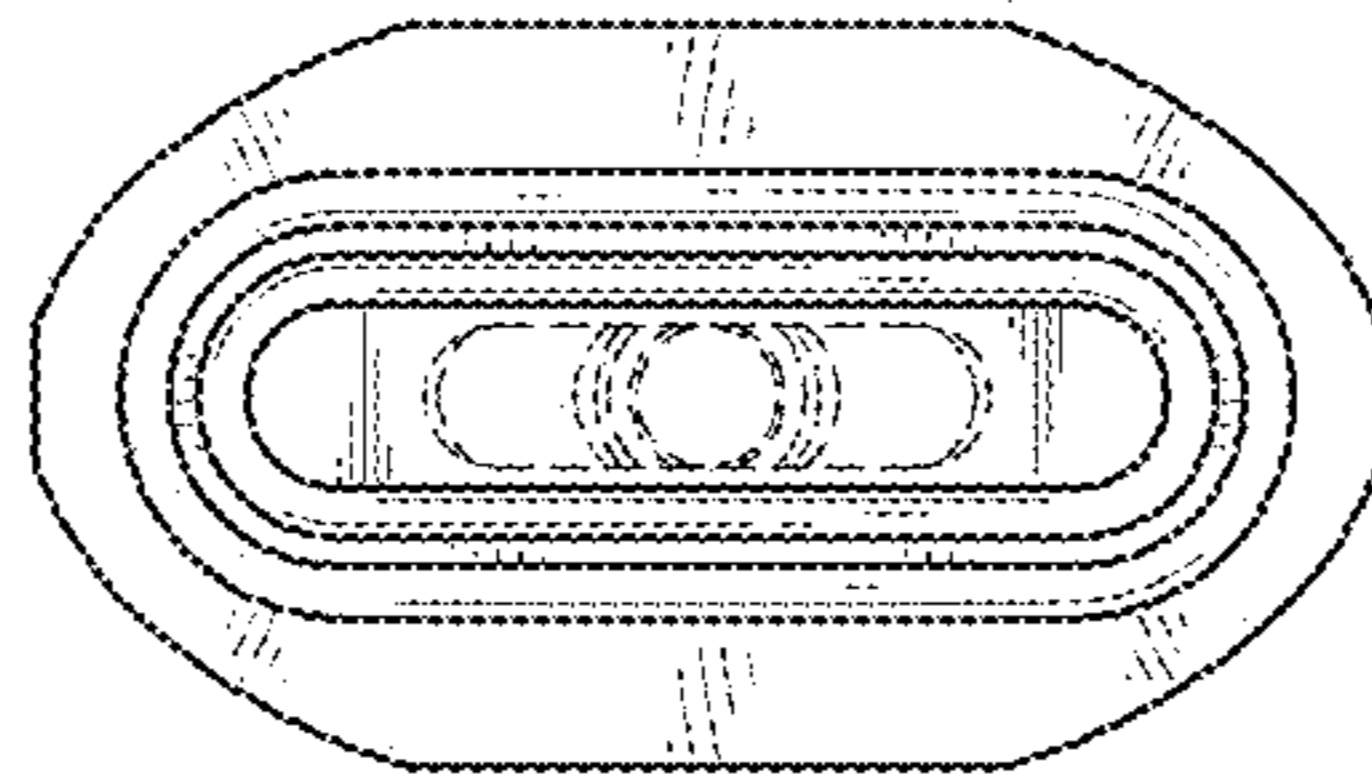


FIG. 21

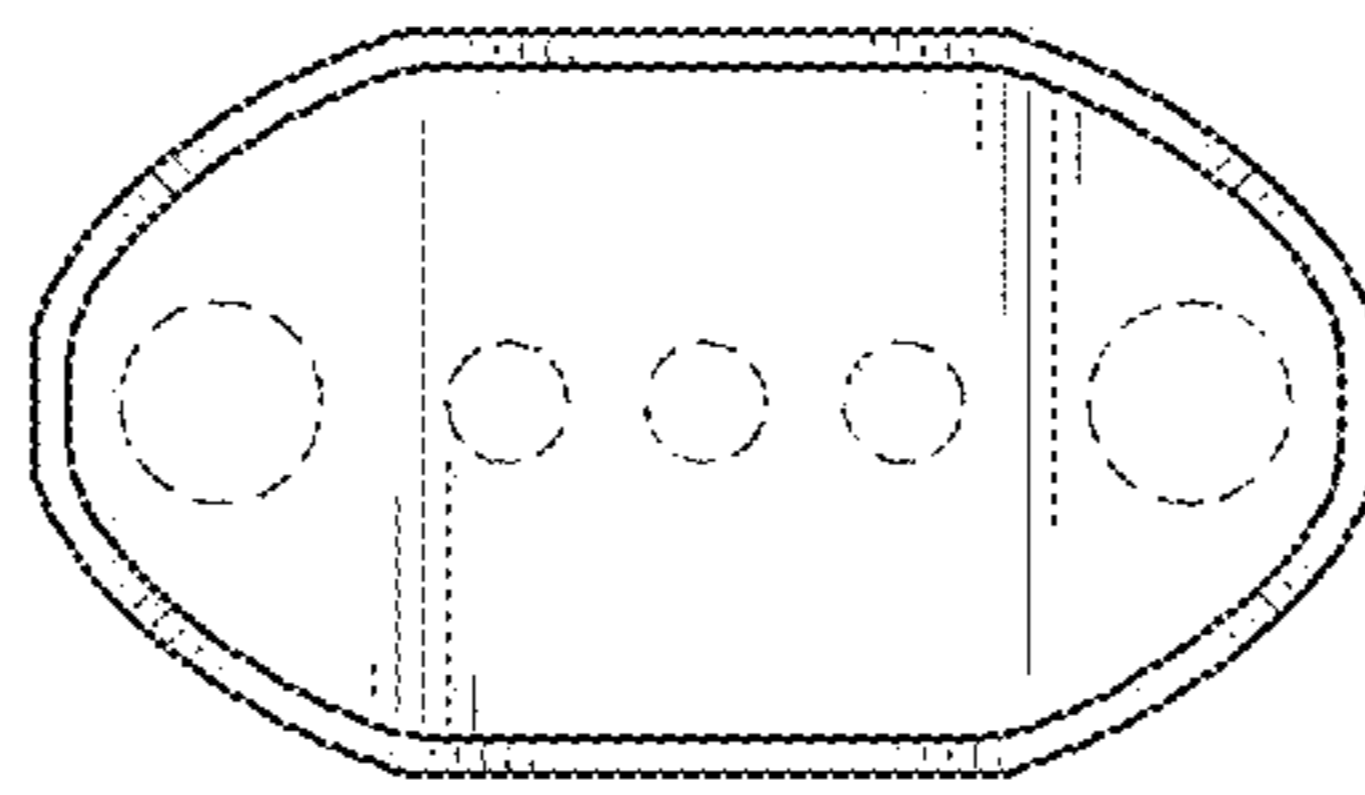


FIG. 22

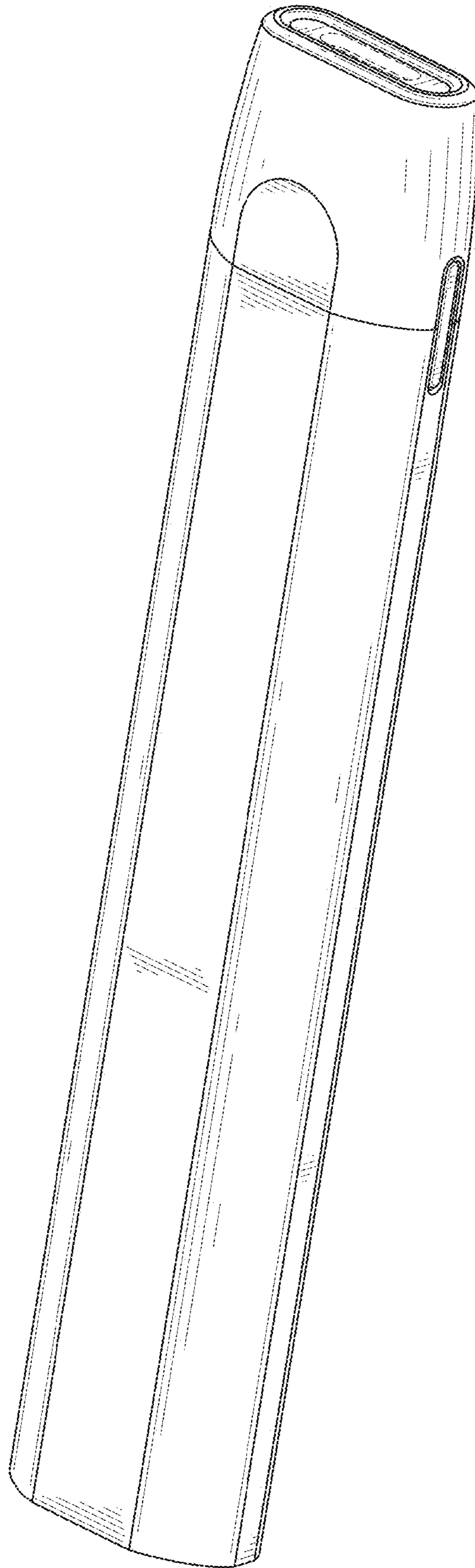


FIG. 23

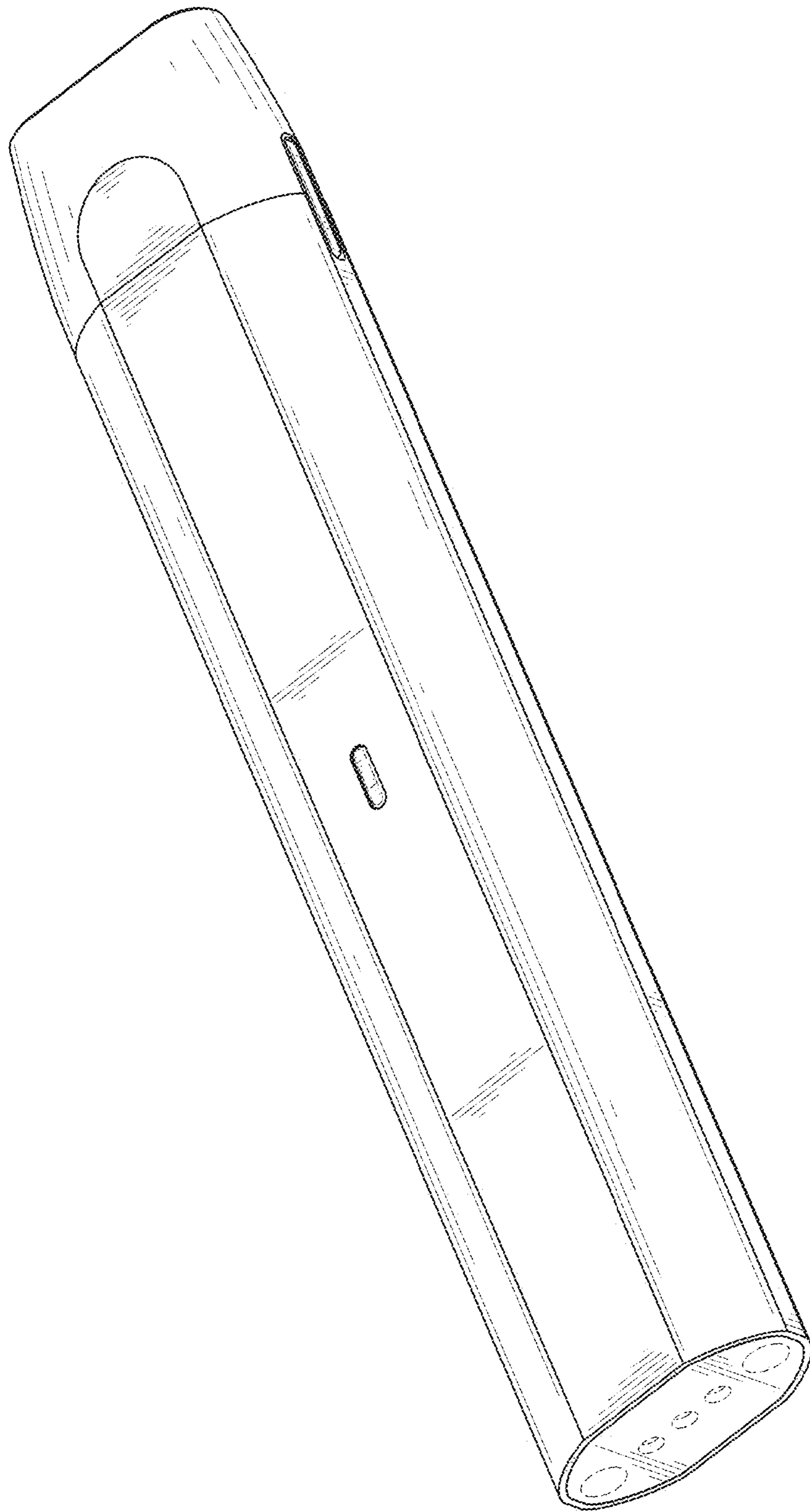


FIG. 24

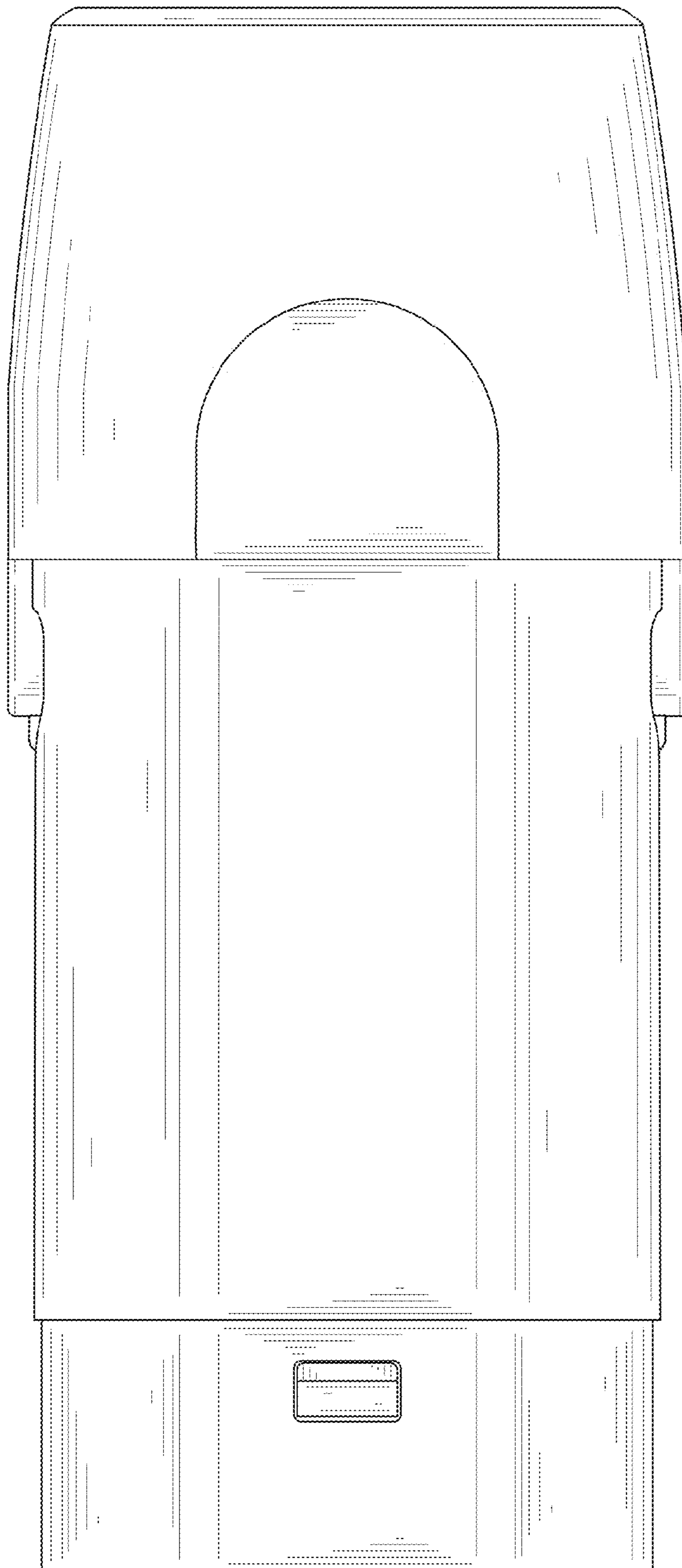


FIG. 25

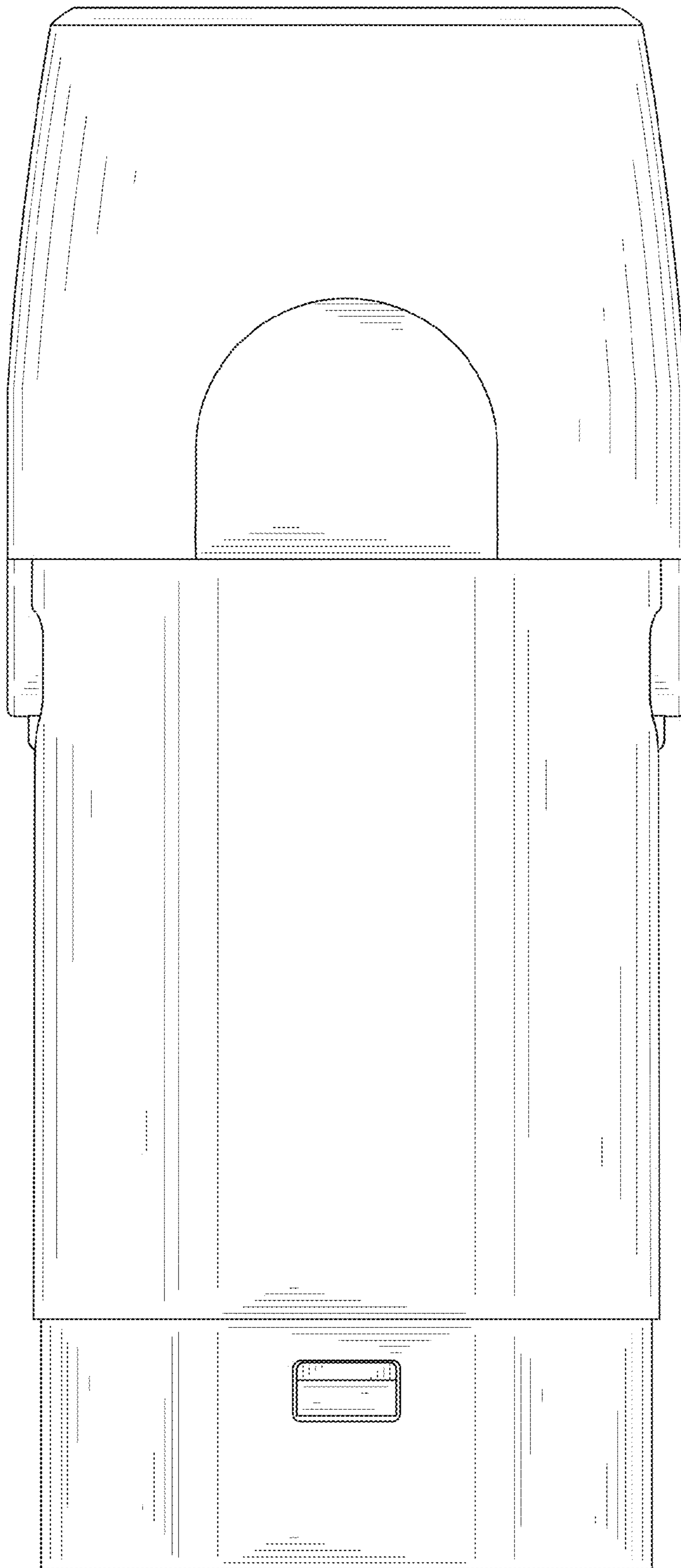


FIG. 26

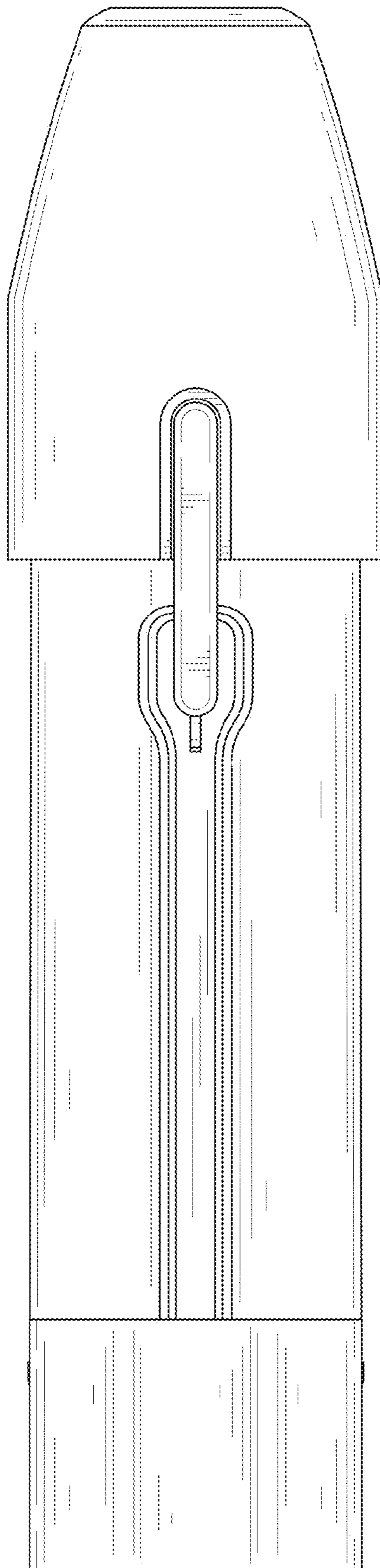


FIG. 27

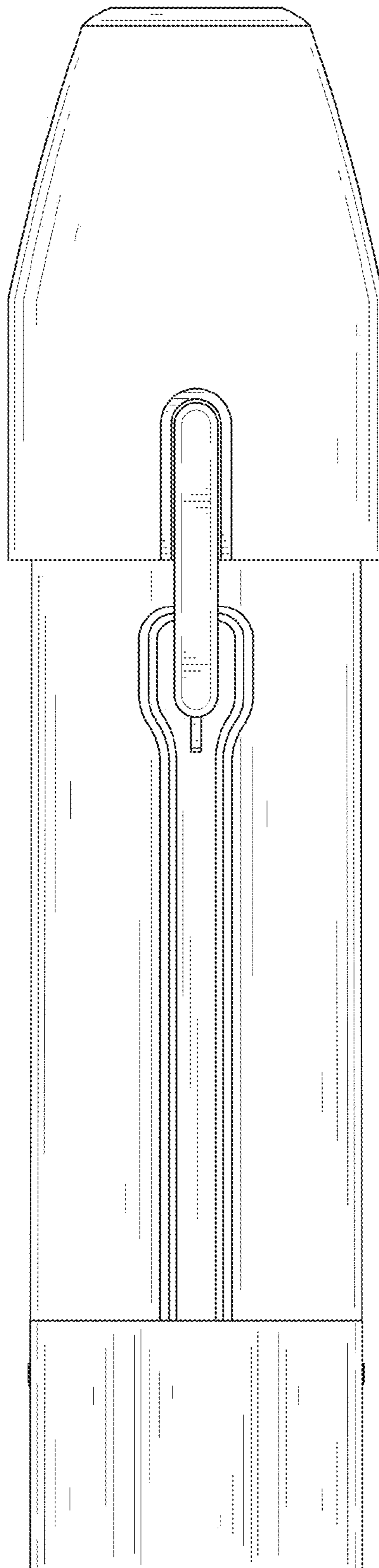


FIG. 28

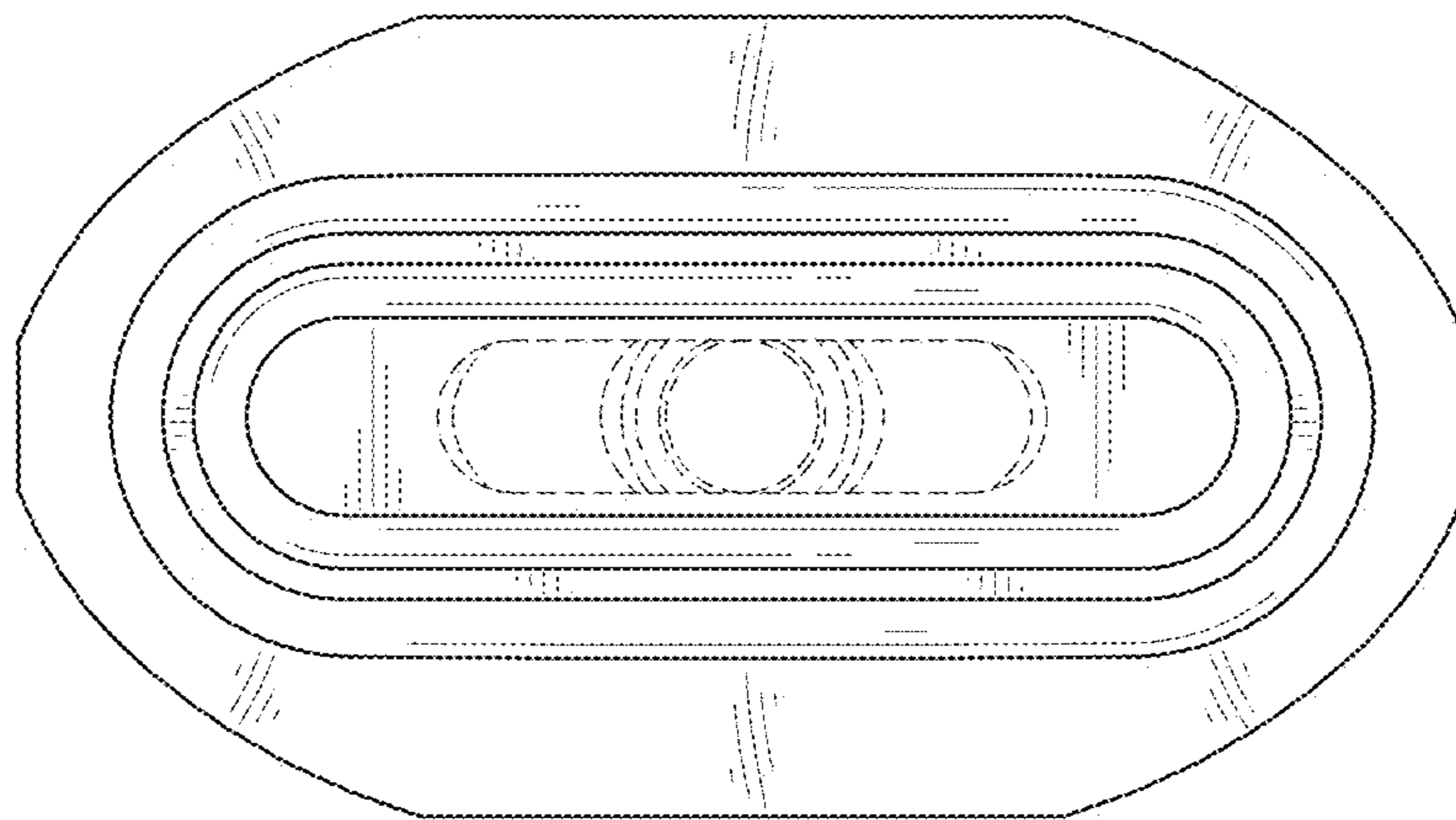


FIG. 29

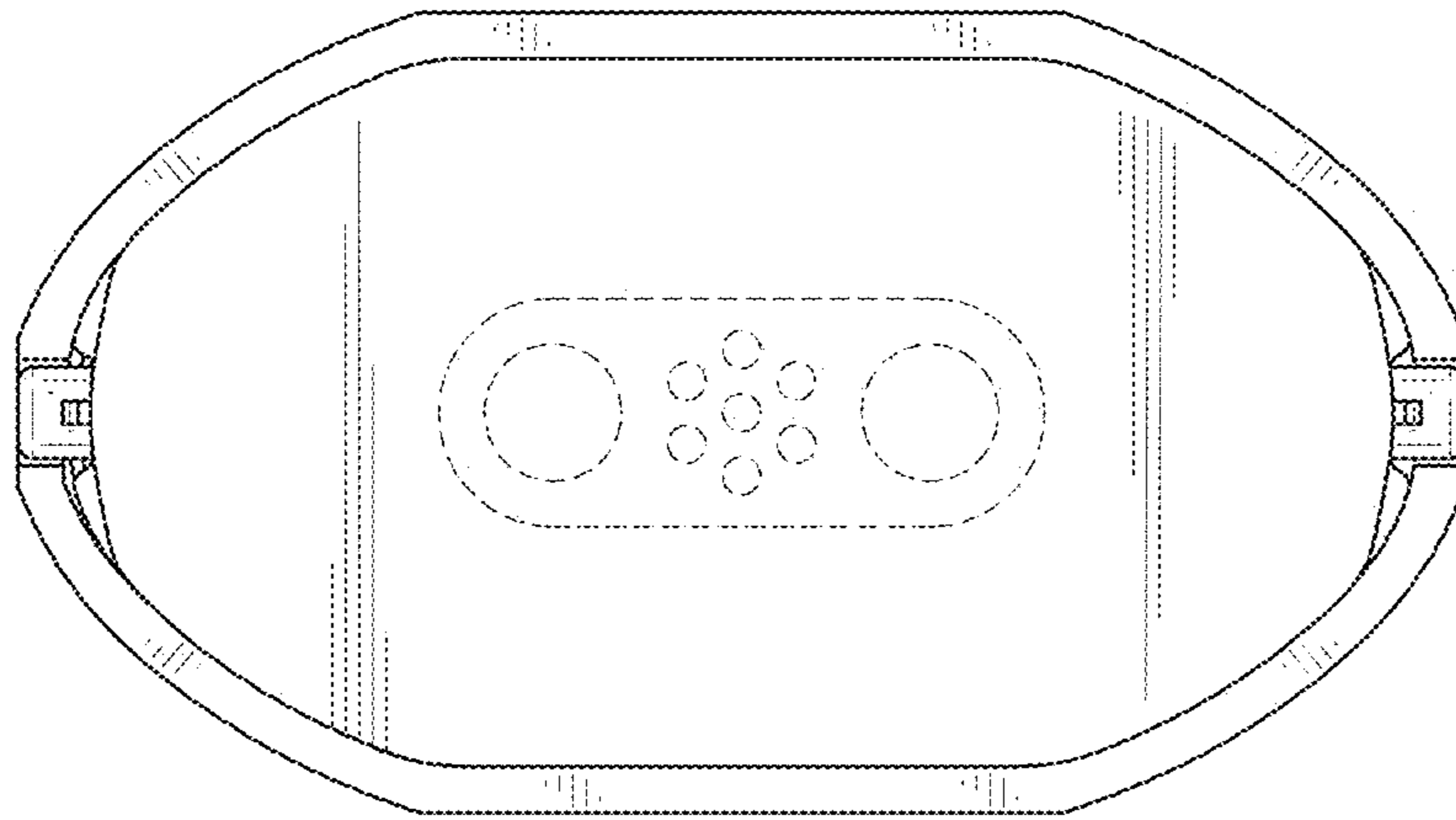


FIG. 30

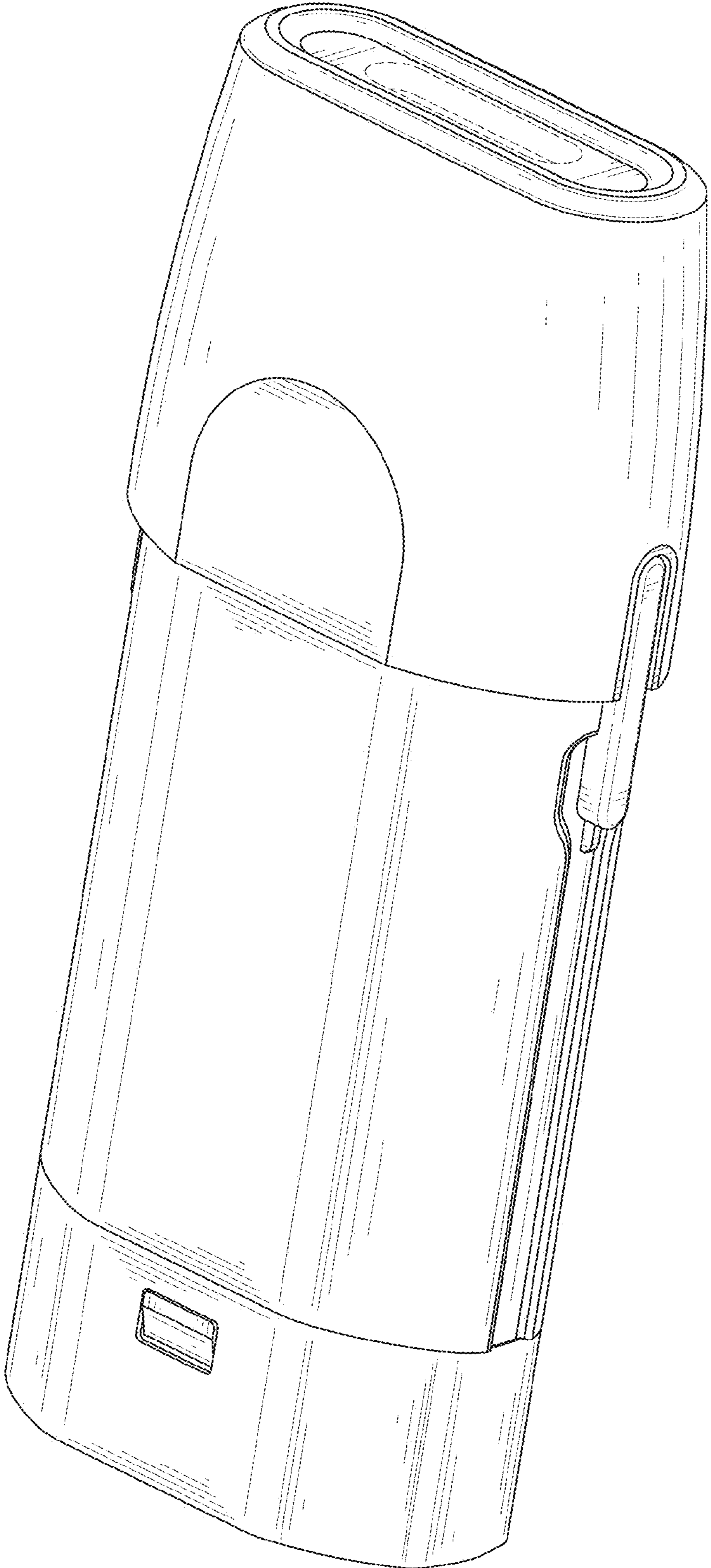


FIG. 31

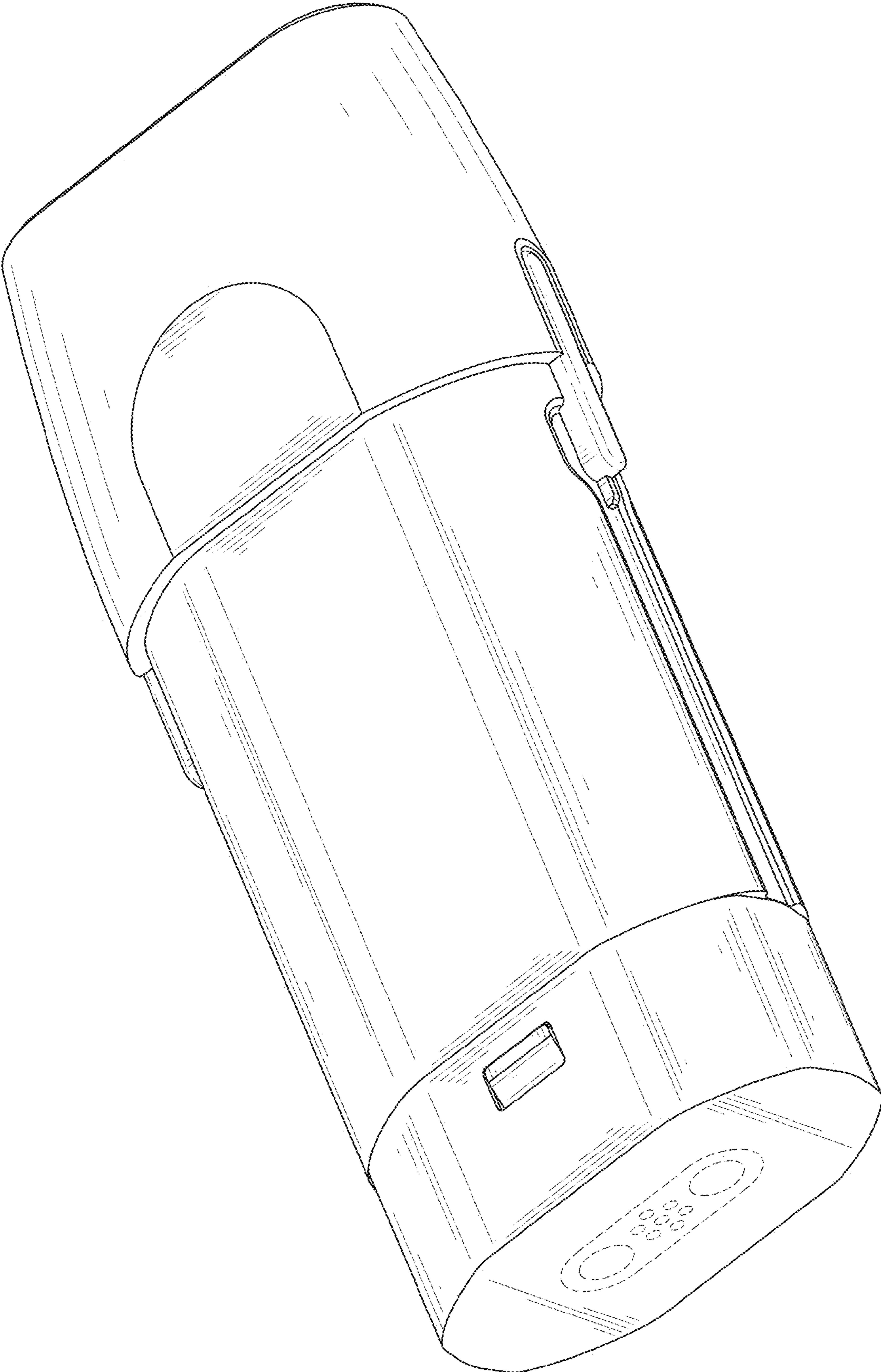


FIG. 32

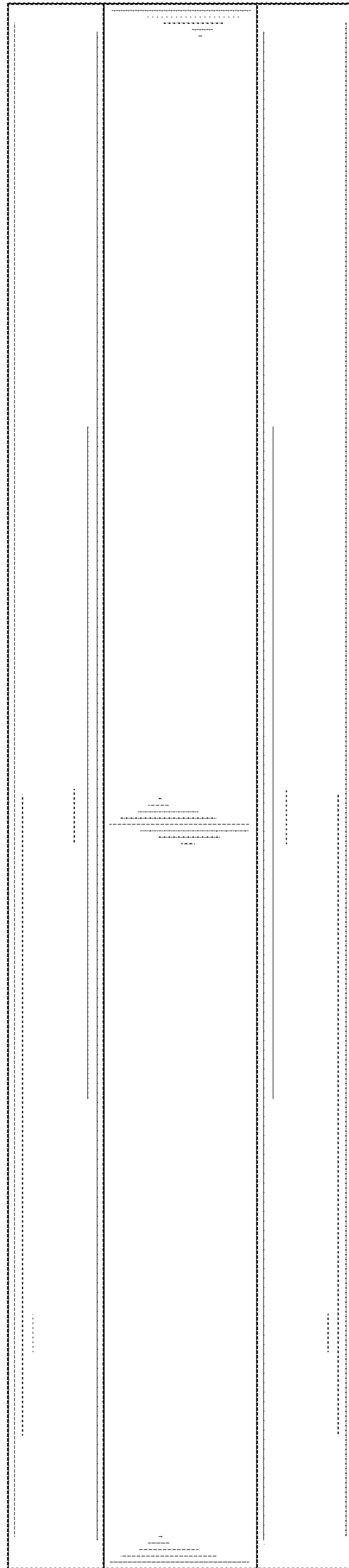


FIG. 33

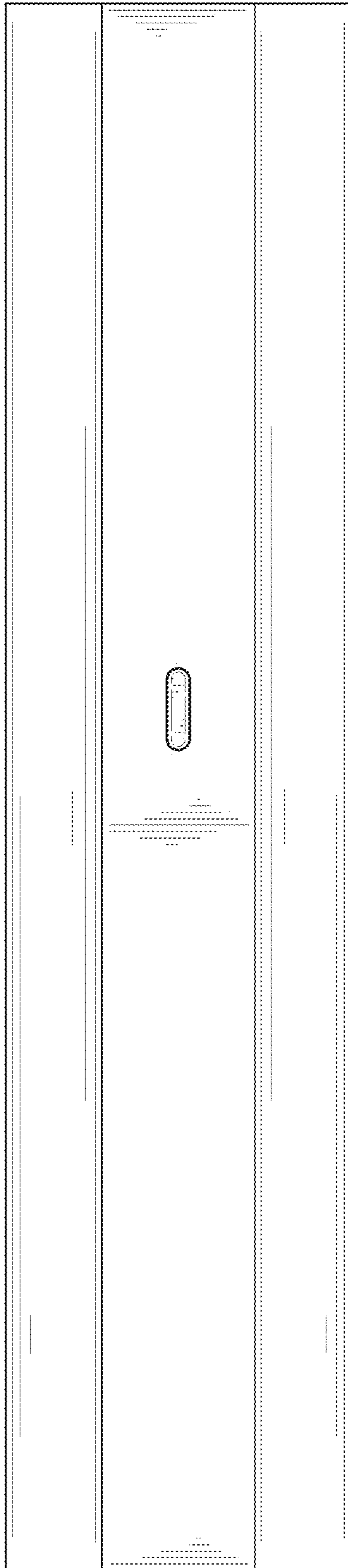


FIG. 34

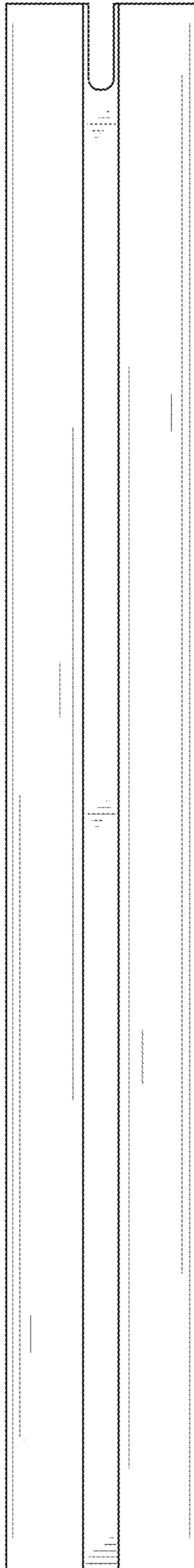


FIG. 35

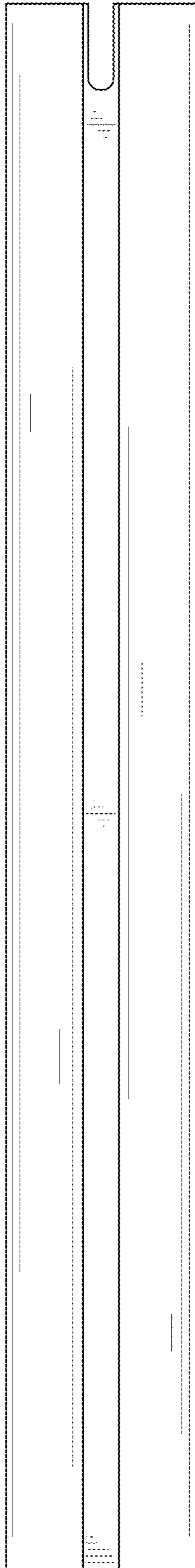


FIG. 36

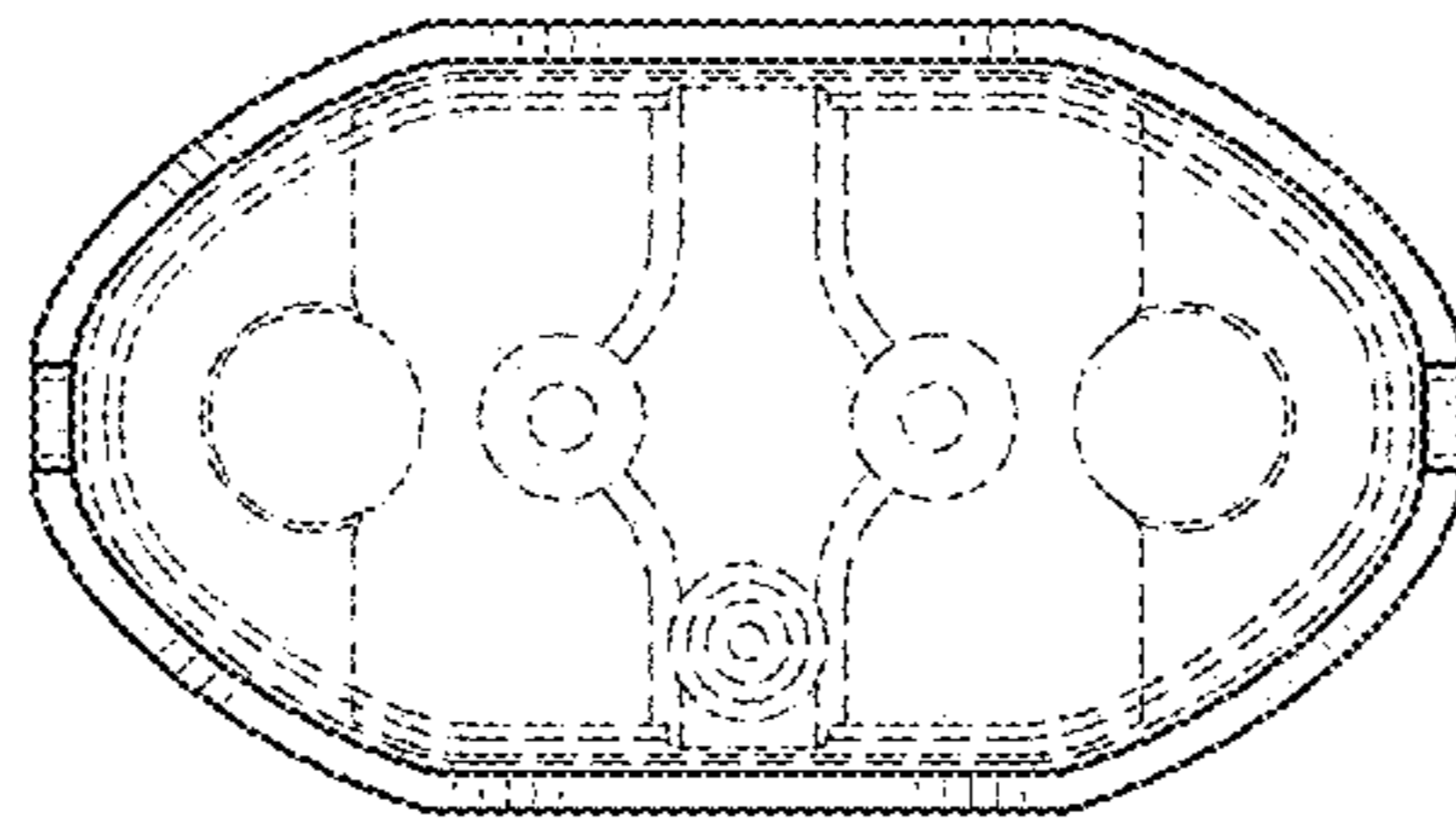


FIG. 37

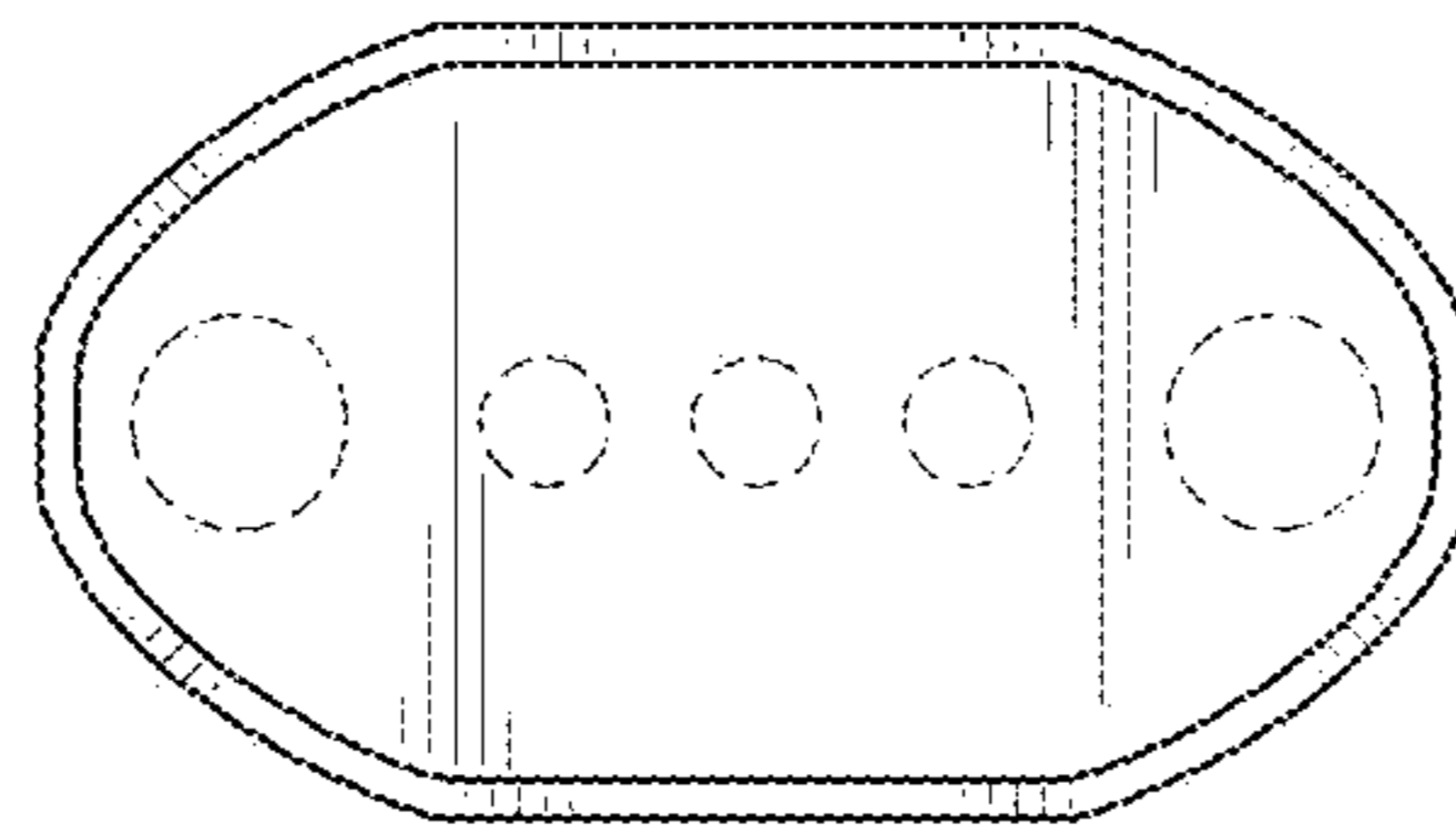


FIG. 38

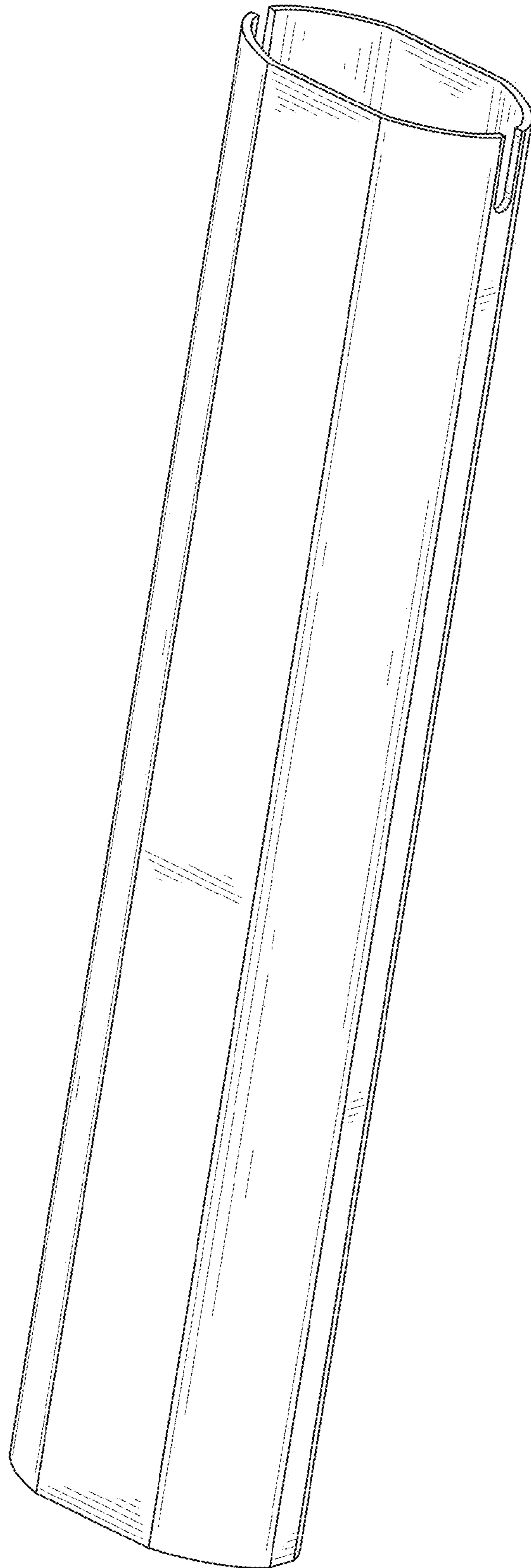


FIG. 39

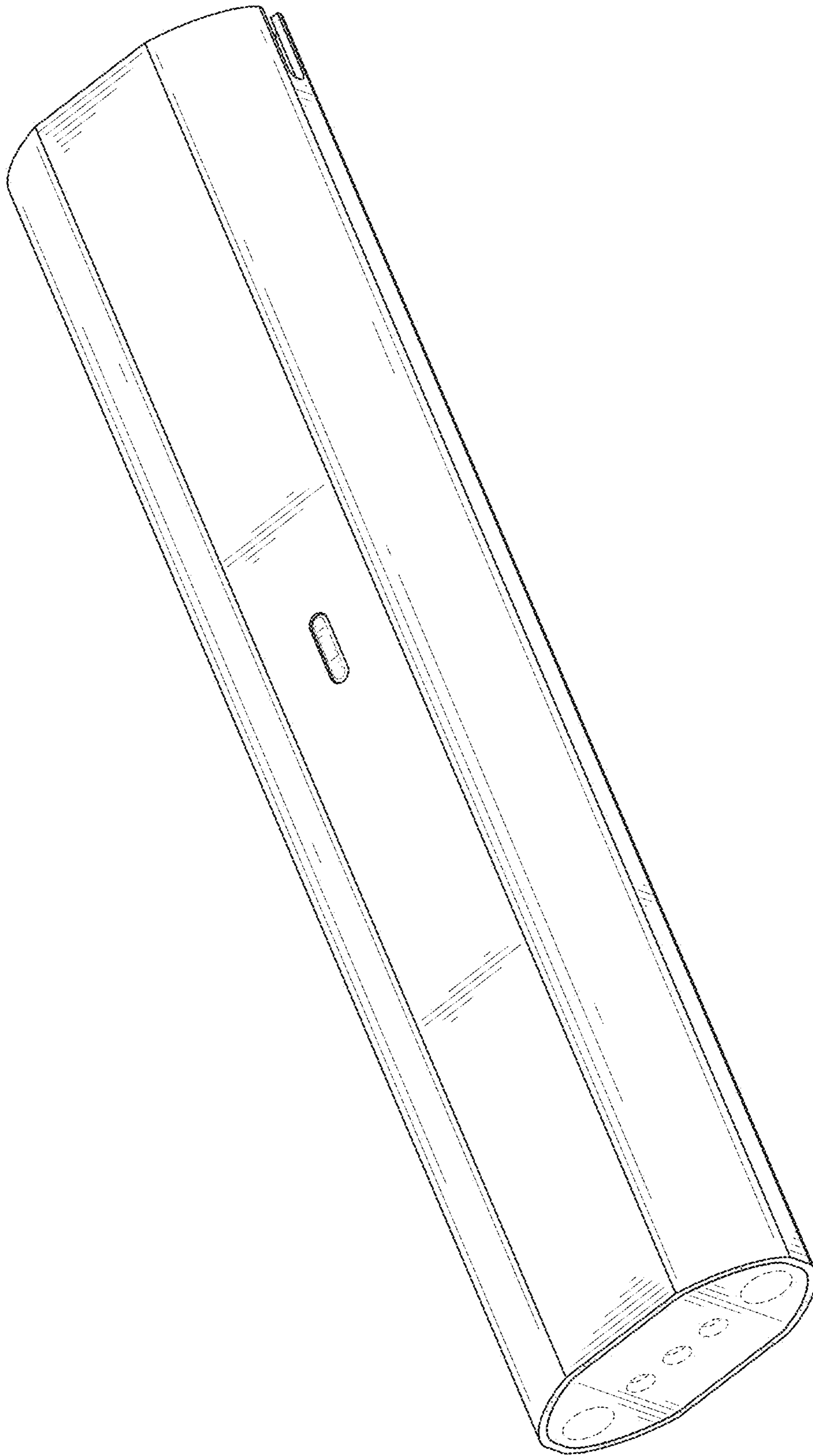


FIG. 40

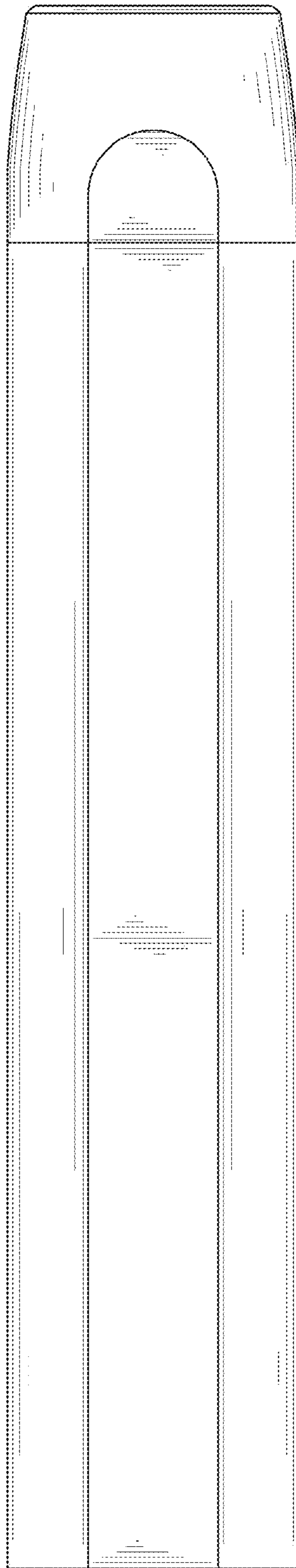


FIG. 41

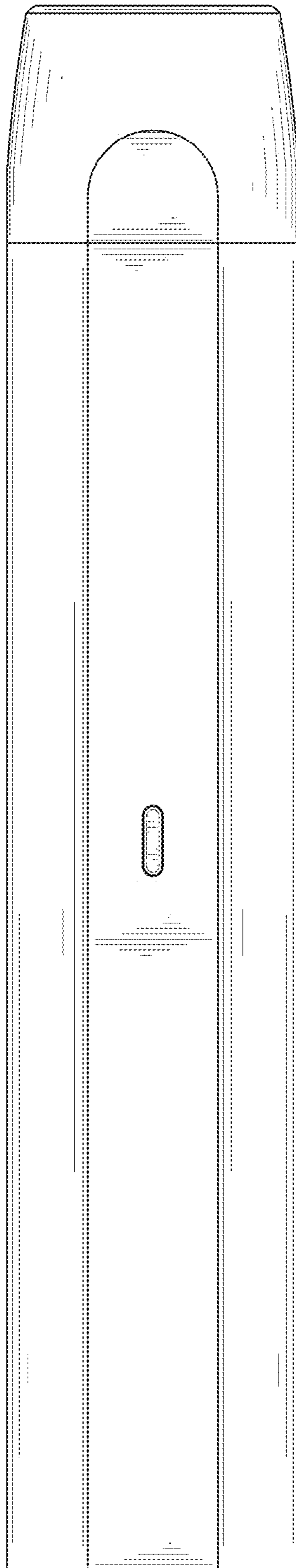


FIG. 42

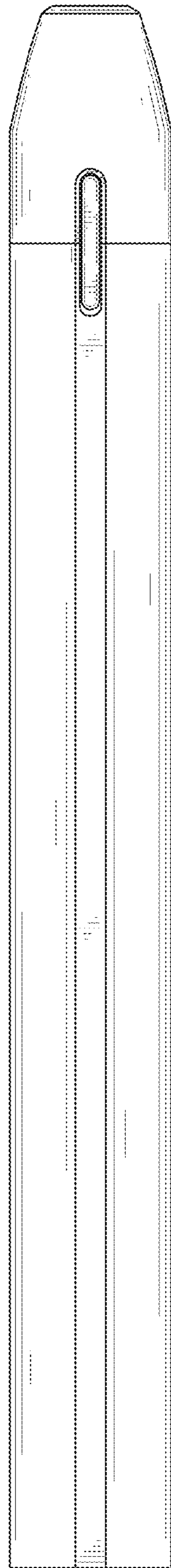


FIG. 43

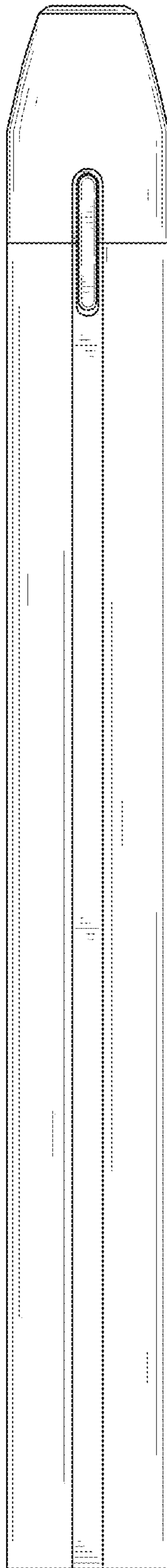


FIG. 44

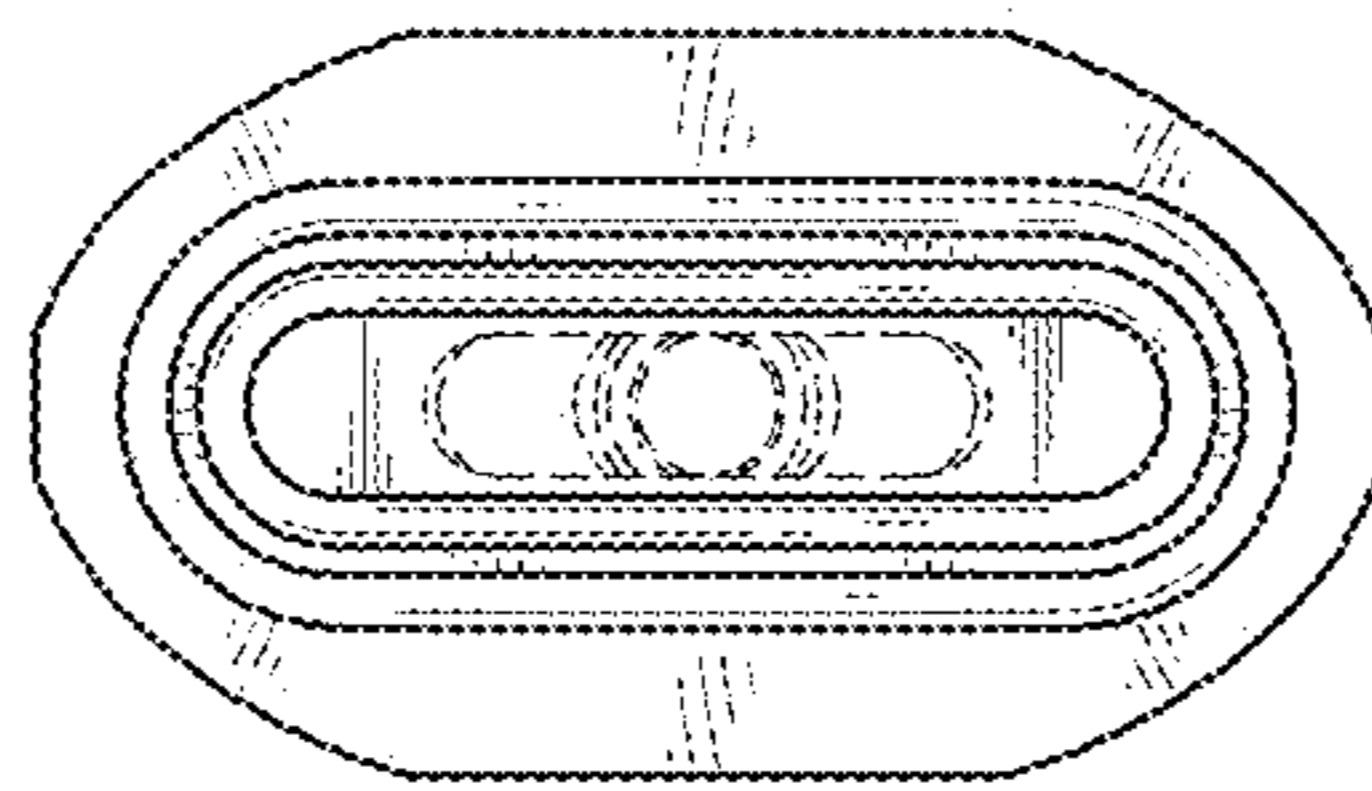


FIG. 45

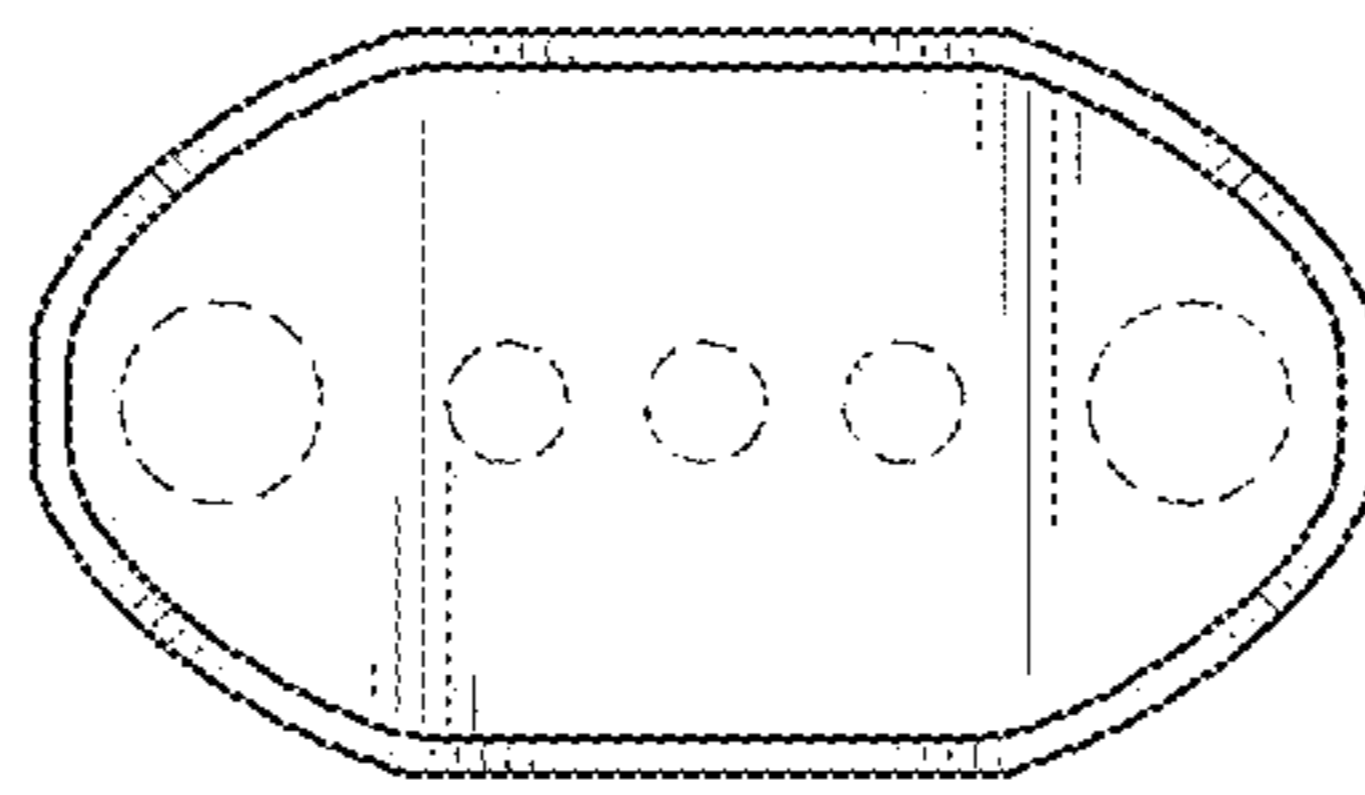


FIG. 46

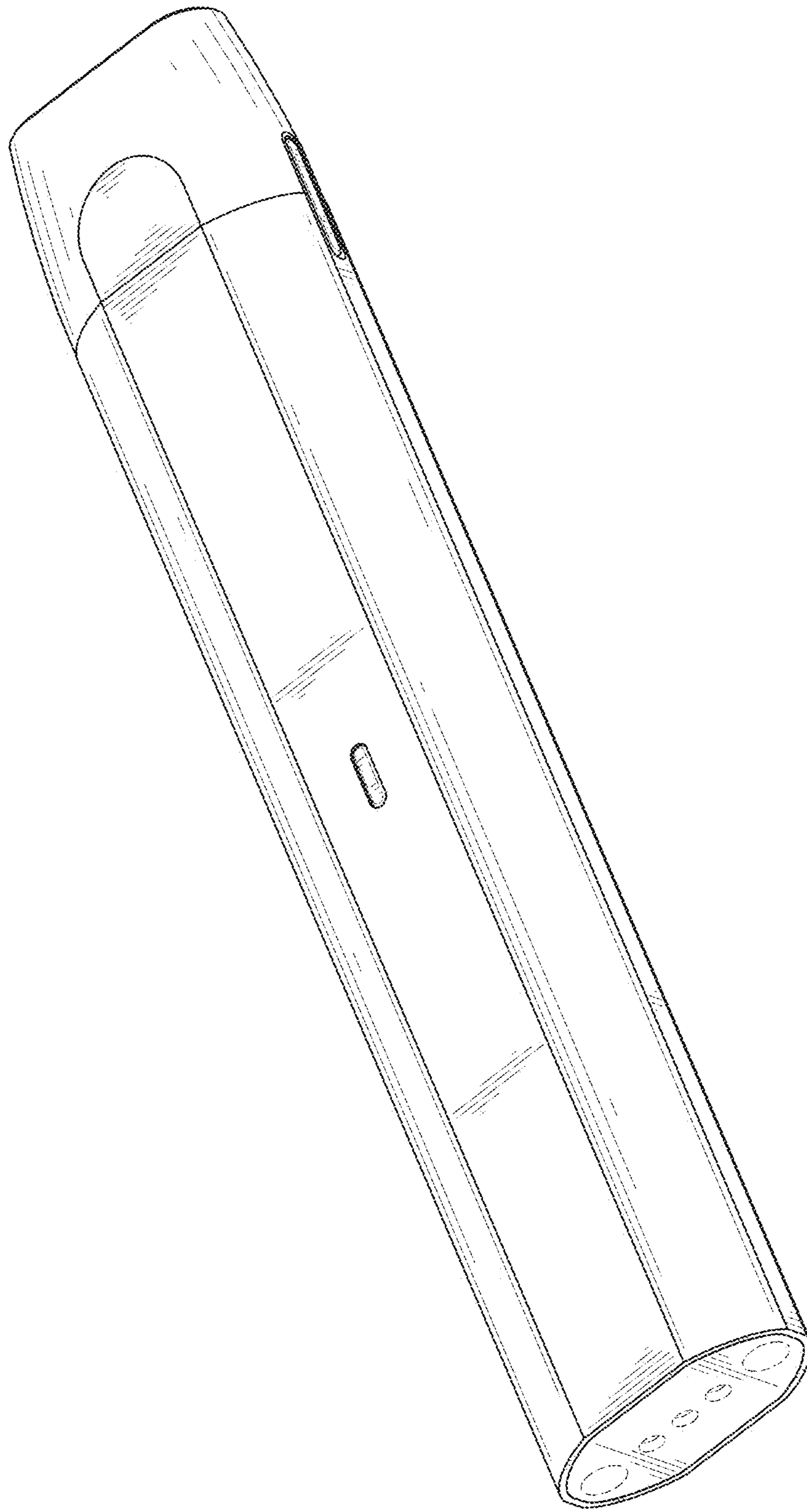


FIG. 47

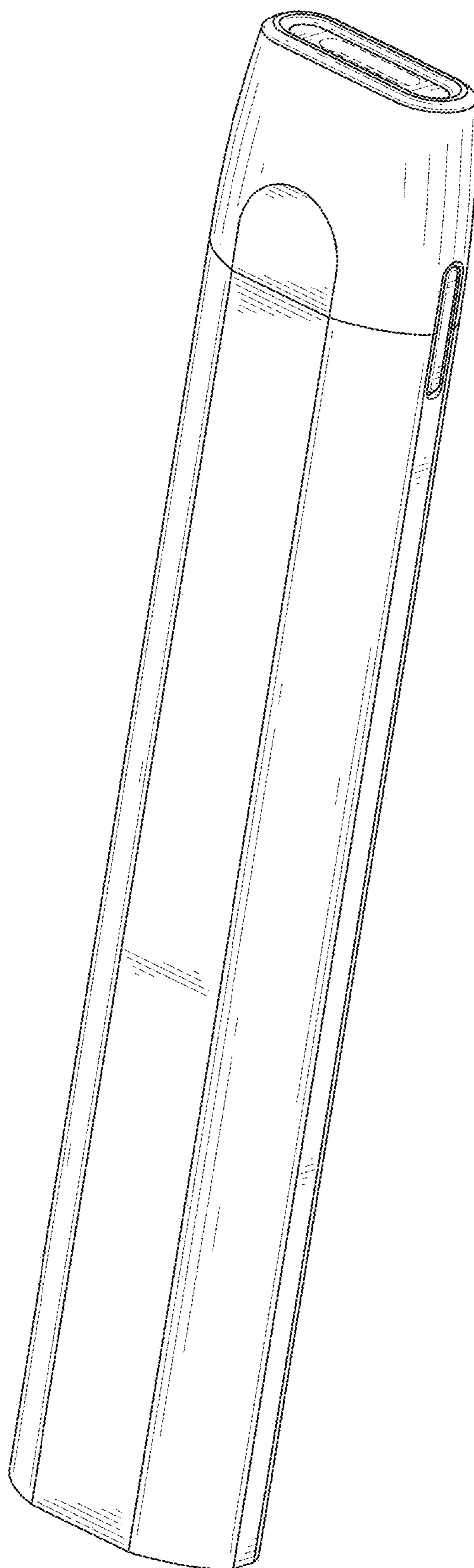


FIG. 48