



US00D875301S

(12) **United States Design Patent**  
**Masri**

(10) **Patent No.:** **US D875,301 S**

(45) **Date of Patent:** **\*\* Feb. 11, 2020**

(54) **HOOKAH**

(71) Applicant: **Wael Salim Elhalwani**, Anaheim, CA  
(US)

(72) Inventor: **Rodney Nader Masri**, Statesboro, GA  
(US)

(\*\*) Term: **15 Years**

(21) Appl. No.: **29/607,906**

(22) Filed: **Jun. 16, 2017**

(51) **LOC (12) Cl.** ..... **27-02**

(52) **U.S. Cl.**  
USPC ..... **D27/162**

(58) **Field of Classification Search**  
USPC ..... D27/100, 103, 162–165, 167, 168, 169,  
D27/180, 183, 194; D11/154, 157;  
(Continued)

(56) **References Cited**

**U.S. PATENT DOCUMENTS**

D368,324 S \* 3/1996 Heine ..... D27/162  
D558,919 S \* 1/2008 Kassir ..... D27/162  
(Continued)

**OTHER PUBLICATIONS**

Shisha Sensations AK47 Hookah, Shiva Blog News & Reviews—  
May 29, 2015, United Kingdom.

(Continued)

*Primary Examiner* — Susan Bennett Hattan

*Assistant Examiner* — Rebecca Tsehaye

(74) *Attorney, Agent, or Firm* — Norvell IP, LLC

(57) **CLAIM**

I claim the ornamental design for a hookah, as shown and described.

**DESCRIPTION**

FIG. 1 is a perspective view showing an embodiment of the hookah of the present invention.

FIG. 2 is a bottom perspective view of the invention shown in FIG. 1.

FIG. 3 is a side view of the invention shown in FIG. 1.

FIG. 4 is a side view of the invention shown in FIG. 1.

FIG. 5 is a side view of the invention shown in FIG. 1.

FIG. 6 is a side view of the invention shown in FIG. 1.

FIG. 7 is a top view of the invention shown in FIG. 1.

FIG. 8 is a bottom view of the invention shown in FIG. 1.

FIG. 9 is a perspective view showing the bottom portion of the hookah of the present invention.

FIG. 10 is a bottom perspective view of the bottom portion of the hookah shown in FIG. 9.

FIG. 11 is a side view of the invention shown in FIG. 9.

FIG. 12 is a side view of the invention shown in FIG. 9.

FIG. 13 is a side view of the invention shown in FIG. 9.

FIG. 14 is a side view of the invention shown in FIG. 9.

FIG. 15 is a top view of the invention shown in FIG. 9.

FIG. 16 is a bottom view of the invention shown in FIG. 9.

FIG. 17 is a perspective view showing the top portion of the hookah of the present invention.

FIG. 18 is a bottom perspective view of the top portion of the hookah shown in FIG. 17.

FIG. 19 is a side view of the invention shown in FIG. 17.

FIG. 20 is a side view of the invention shown in FIG. 17.

FIG. 21 is a side view of the invention shown in FIG. 17.

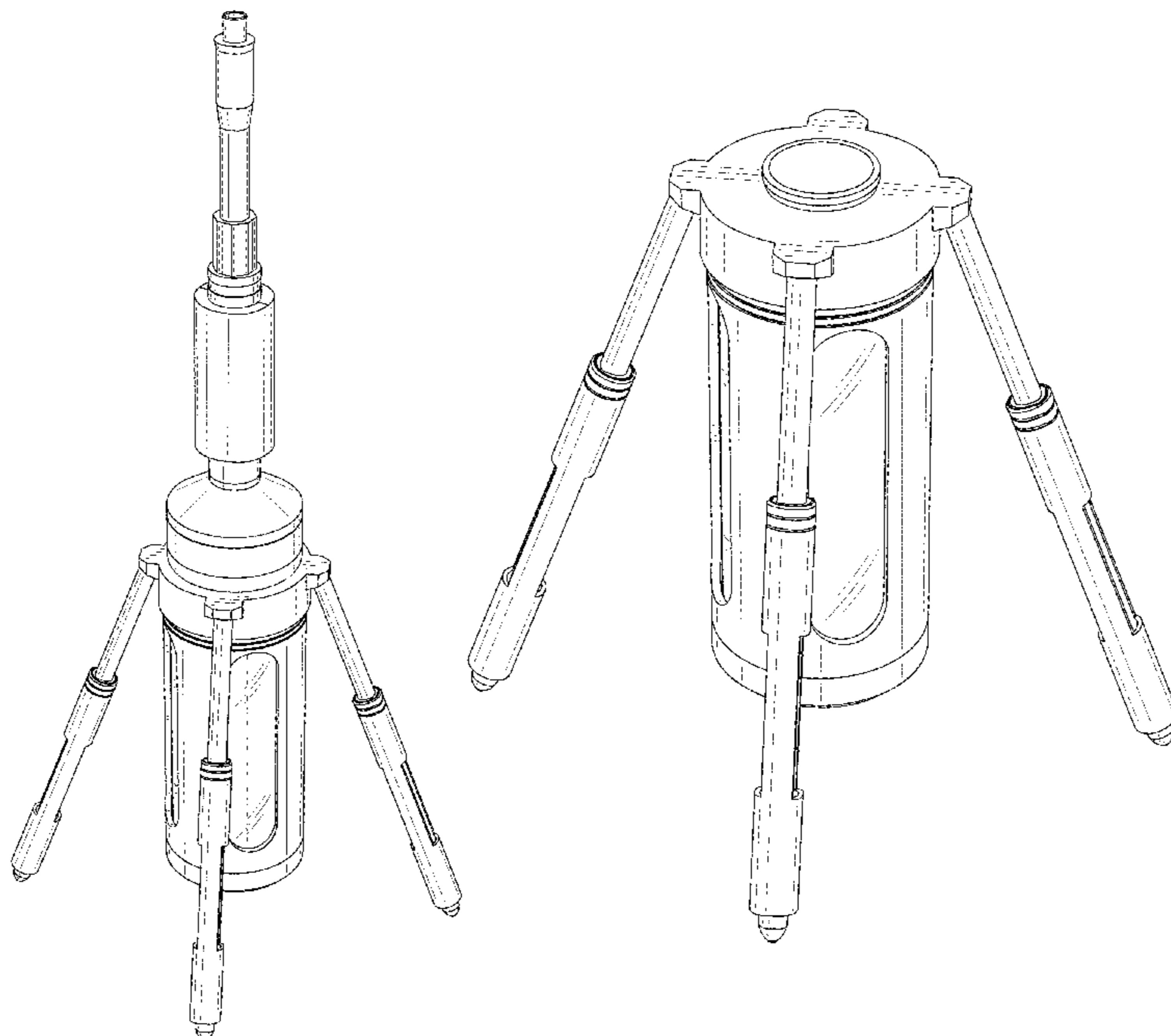
FIG. 22 is a side view of the invention shown in FIG. 17.

FIG. 23 is a top view of the invention shown in FIG. 17; and,

FIG. 24 is a bottom view of the invention shown in FIG. 17.

Unless otherwise noted, the broken lines in the drawings depict environment and form no part of the claimed design.

**1 Claim, 24 Drawing Sheets**



(58) **Field of Classification Search**

USPC ..... D23/360; 131/173, 178, 220, 235.1,  
131/237.5, 240.1, 256, 328–330;  
128/202.21

CPC ..... A24F 1/30; A24F 1/02; A24F 1/00; A24F  
47/008; A24F 47/002; A61M 11/00

See application file for complete search history.

(56) **References Cited**

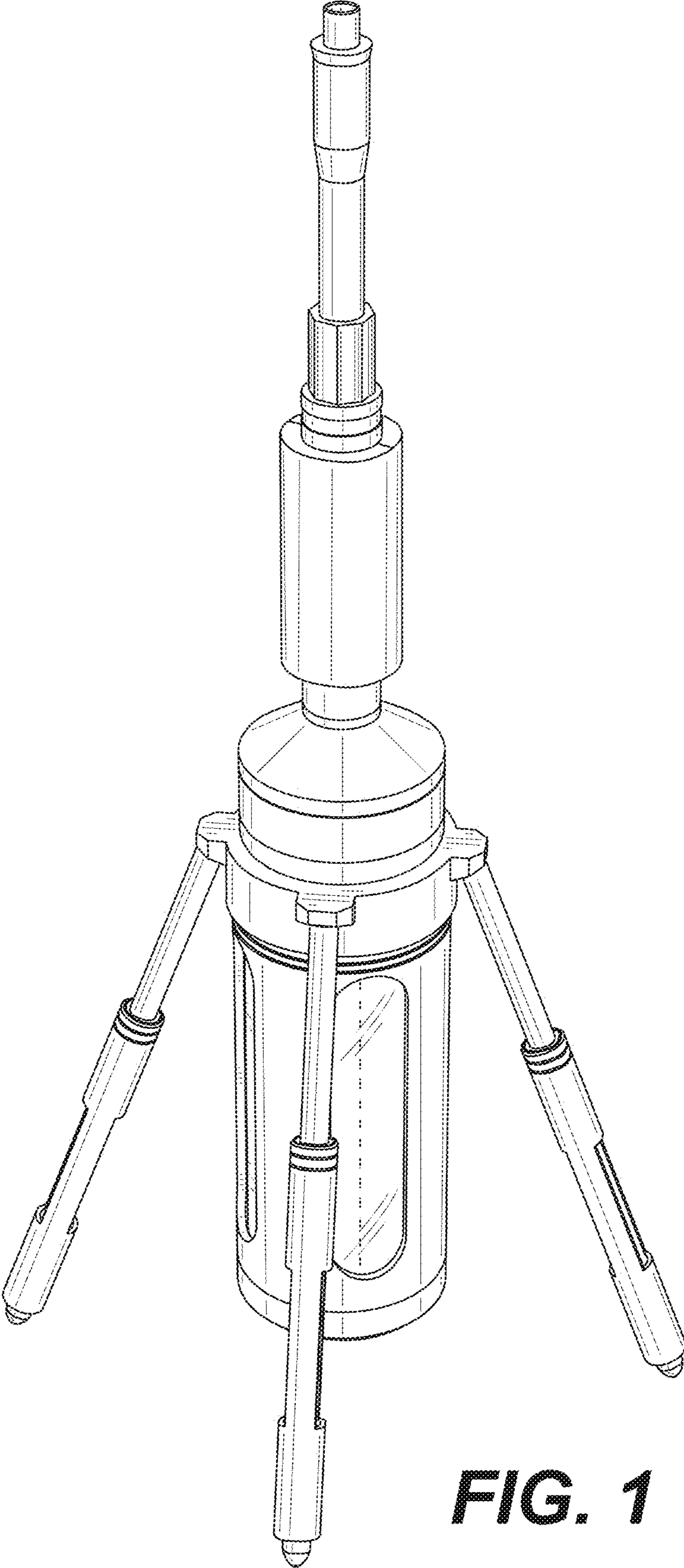
U.S. PATENT DOCUMENTS

D561,388 S \* 2/2008 Kassir ..... D27/162  
D584,853 S \* 1/2009 Kassir ..... D27/162  
D622,099 S \* 8/2010 Pike ..... D27/162  
7,827,995 B2 \* 11/2010 Chaoui ..... A24F 1/30  
131/173  
8,757,170 B2 \* 6/2014 Kaplani ..... A24F 1/30  
131/194  
D748,854 S \* 2/2016 Afridi ..... D27/162  
D757,999 S \* 5/2016 Elhalwani ..... D27/162  
D773,113 S \* 11/2016 Elhalwani ..... D27/162  
9,775,382 B2 \* 10/2017 Wang ..... A24F 47/008  
2009/0095310 A1 \* 4/2009 Chaoui ..... A24F 1/30  
131/173  
2012/0180803 A1 \* 7/2012 Beloni ..... A24F 1/30  
131/173  
2016/0360788 A1 \* 12/2016 Wang ..... A24F 47/008

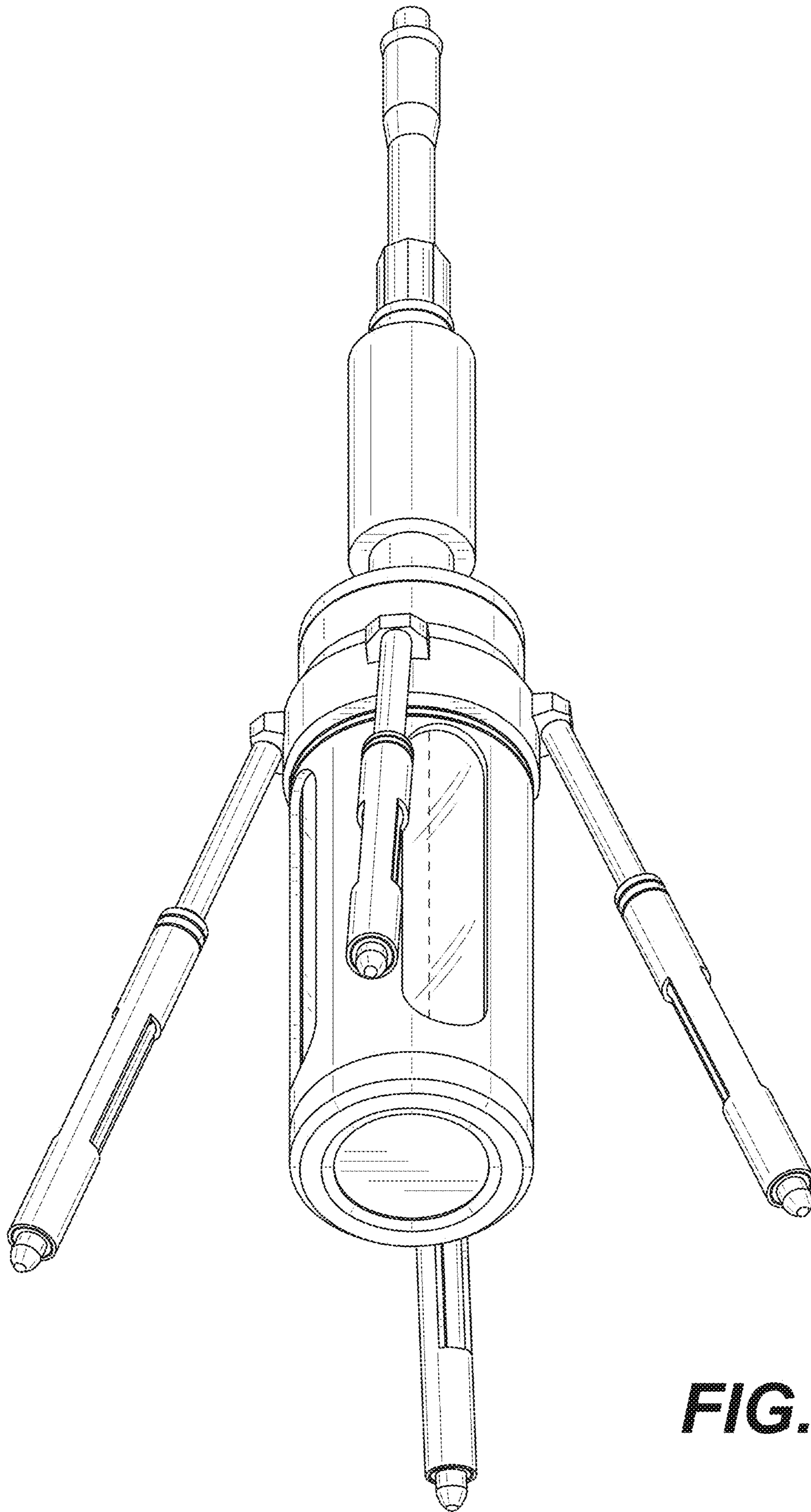
OTHER PUBLICATIONS

Phillips, 6.5 Creedmoore: Rifles, Ammo and History Overview,  
Outdoorchannel.com—Mar. 25, 2016, United States.

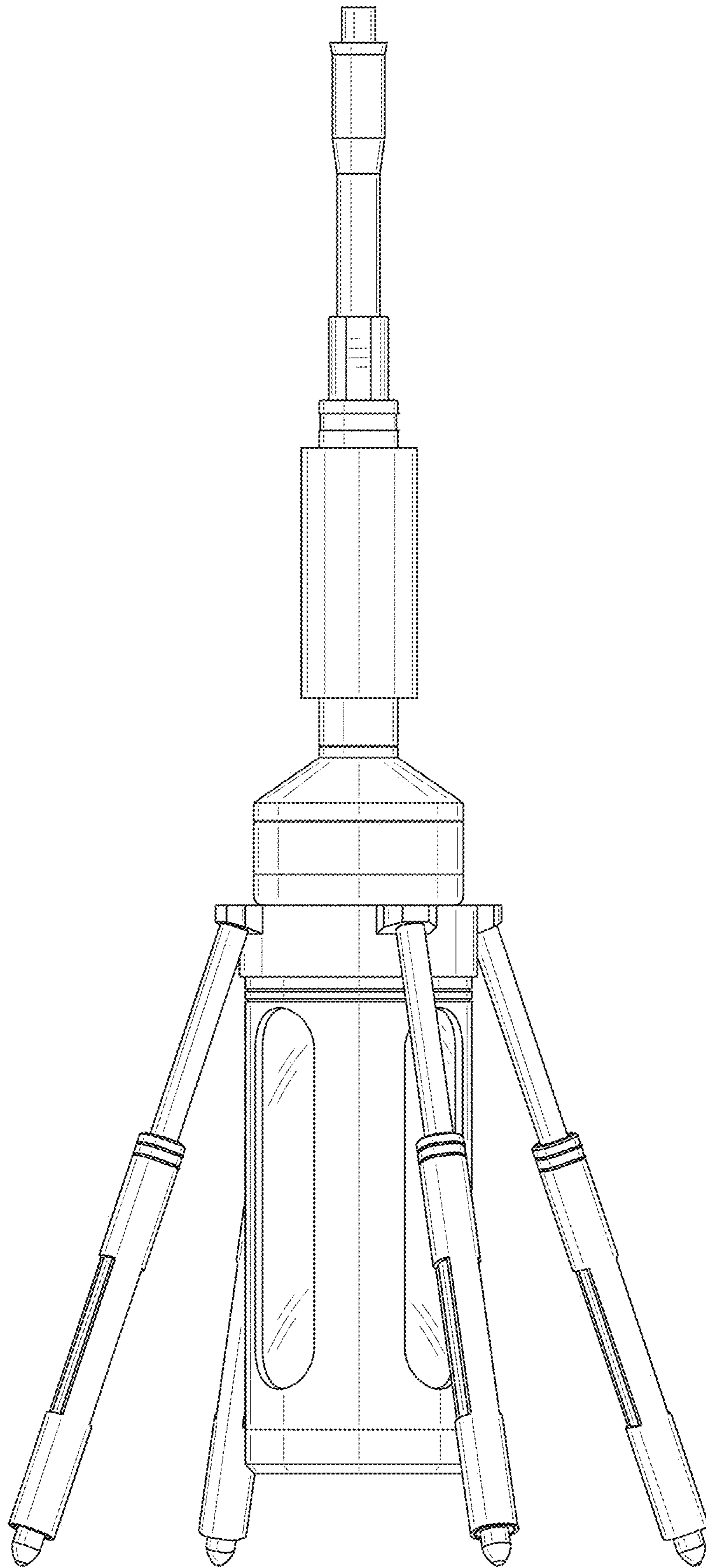
\* cited by examiner



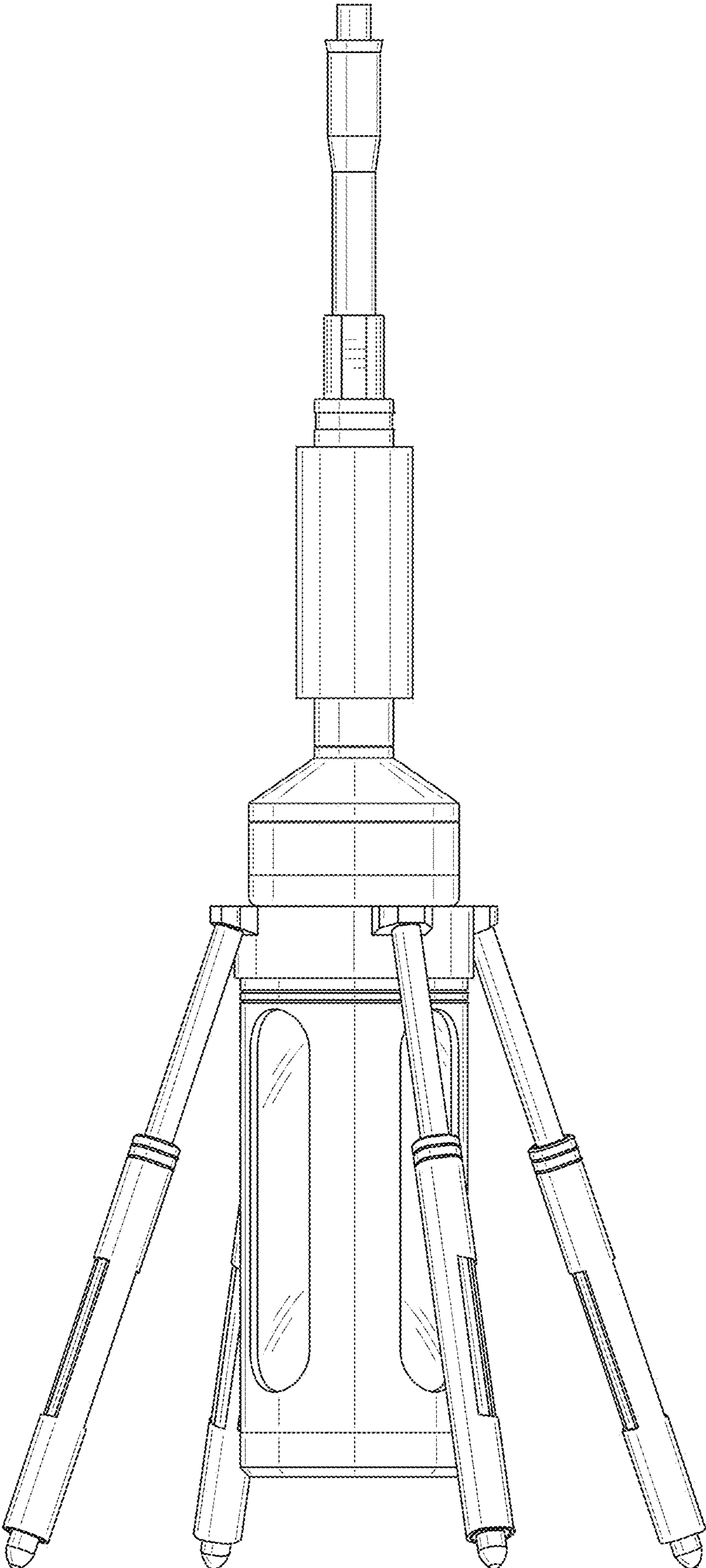
**FIG. 1**



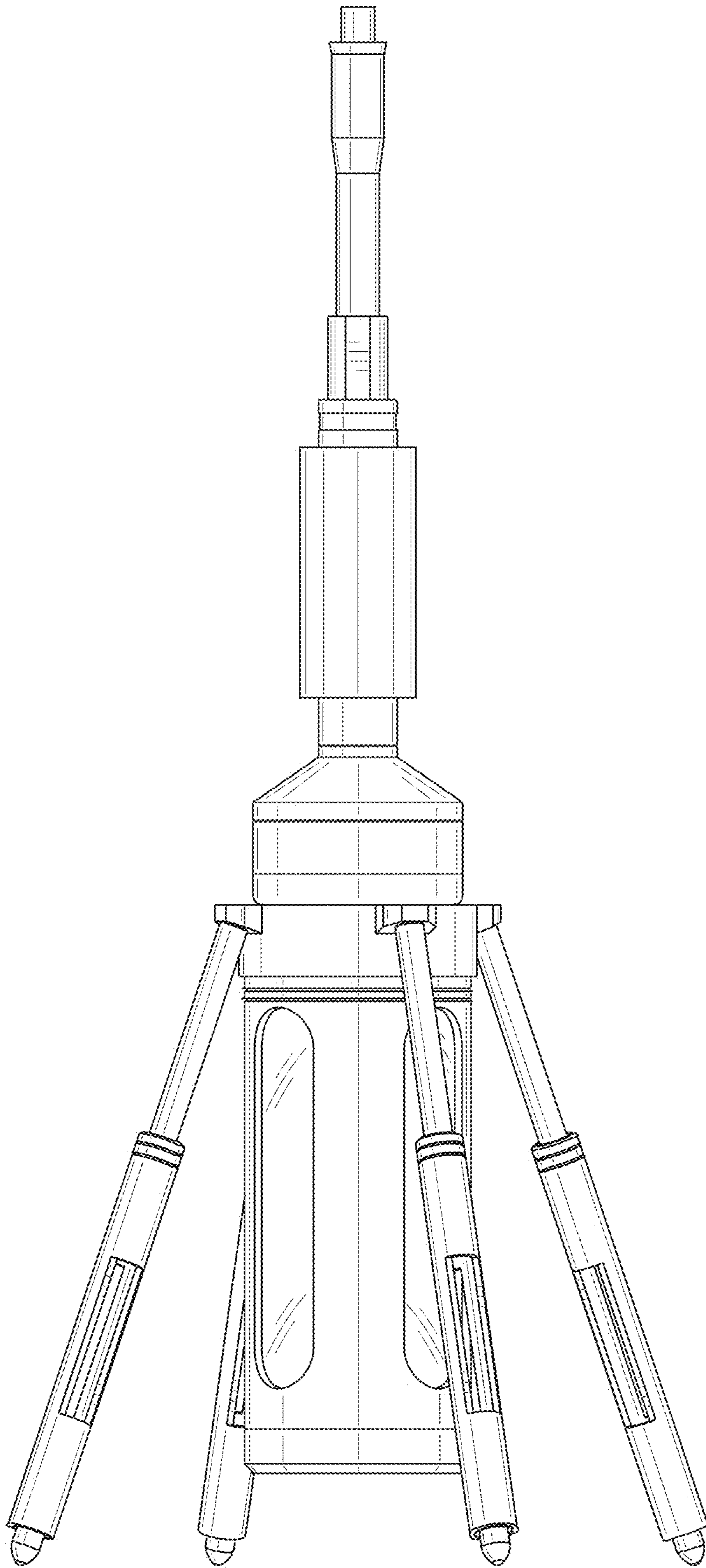
**FIG. 2**



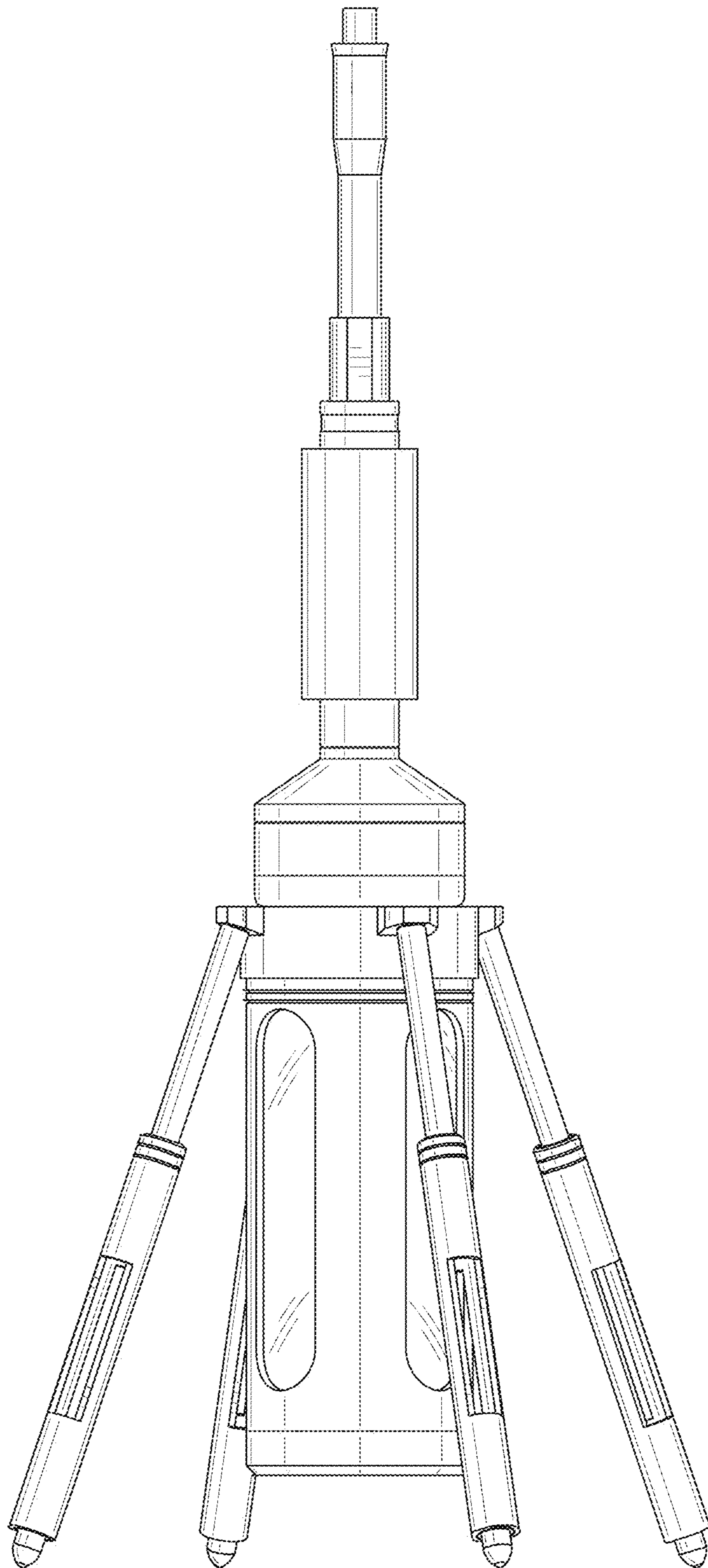
**FIG. 3**



**FIG. 4**

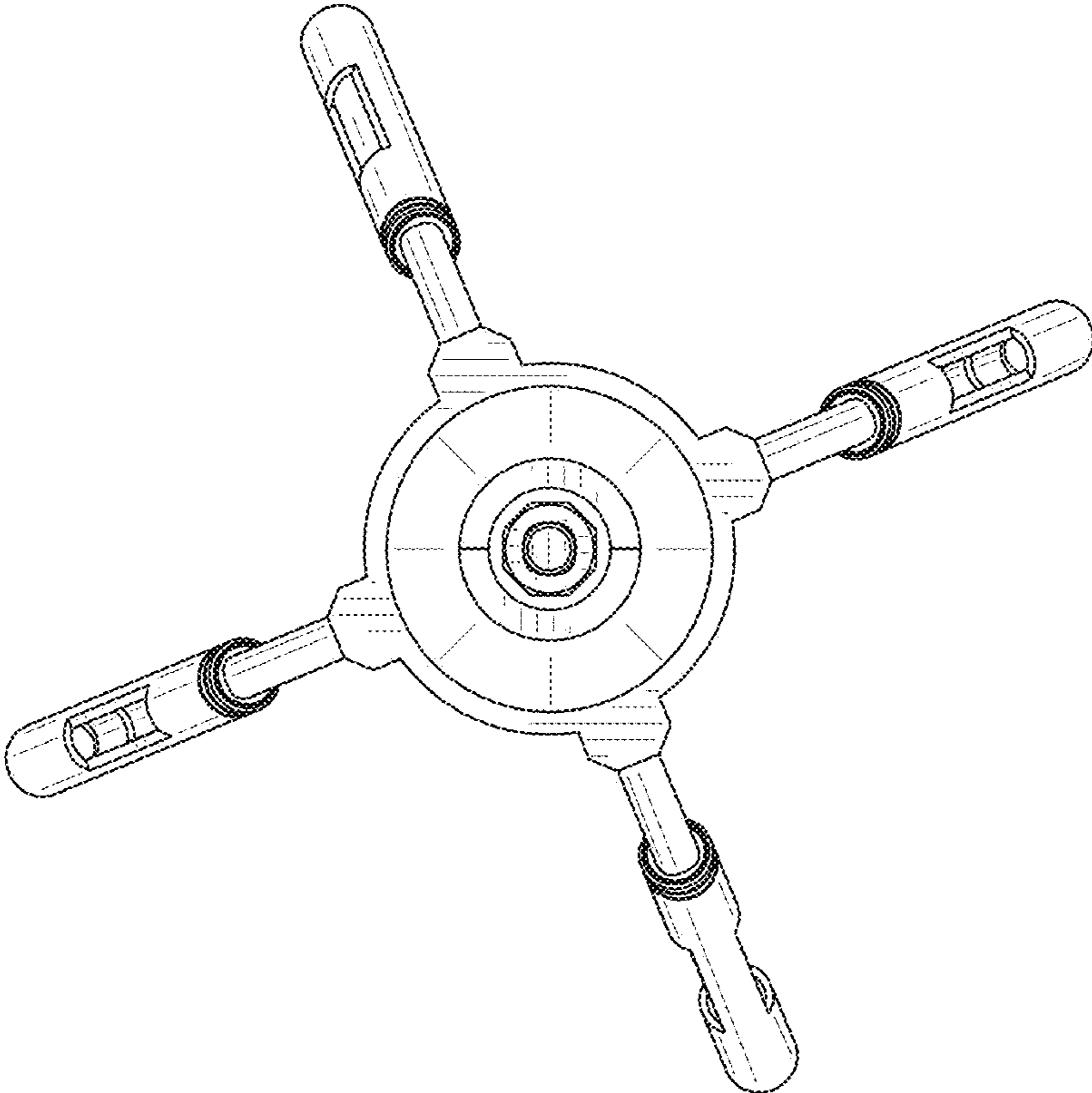


**FIG. 5**

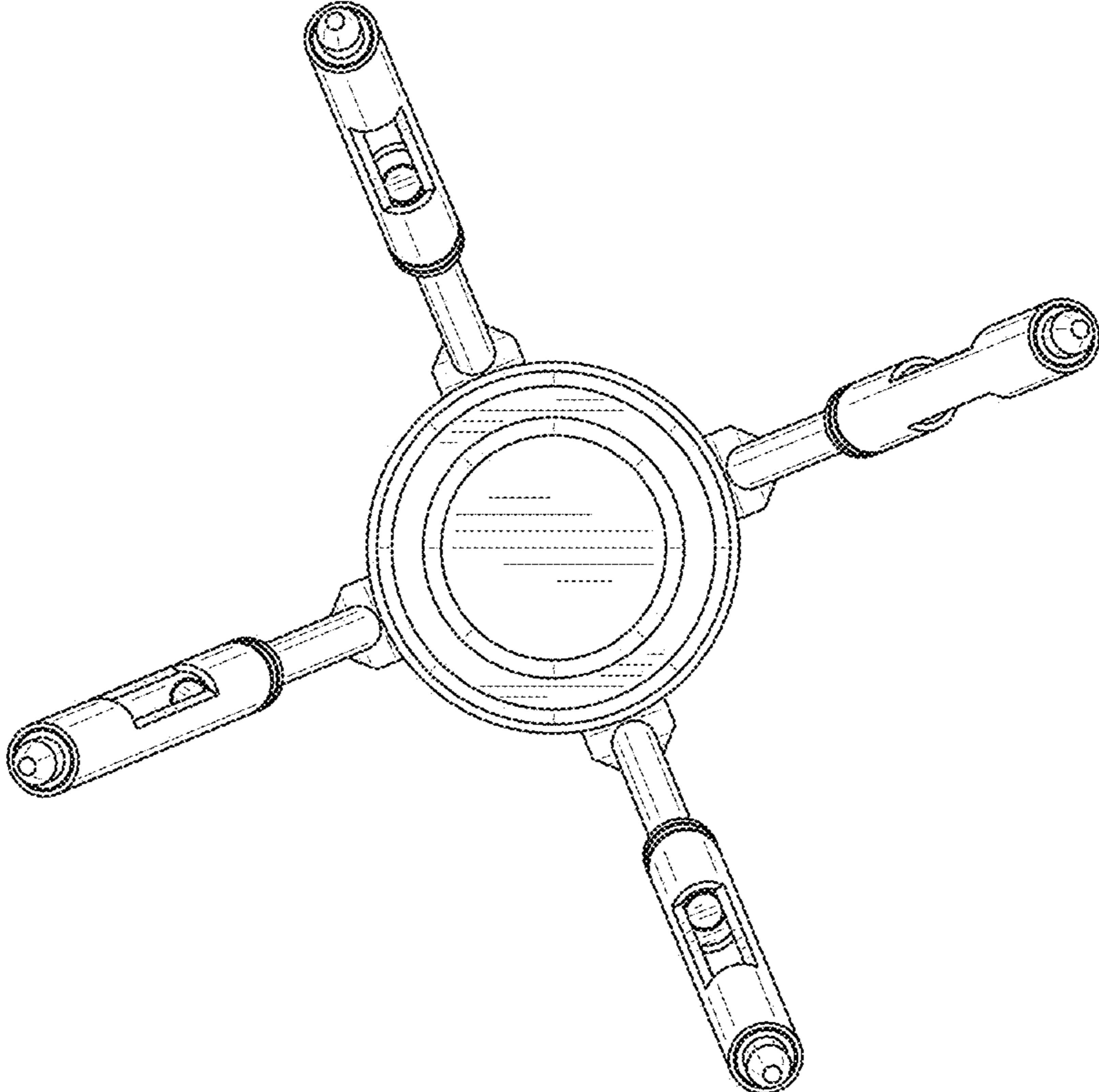


**FIG. 6**

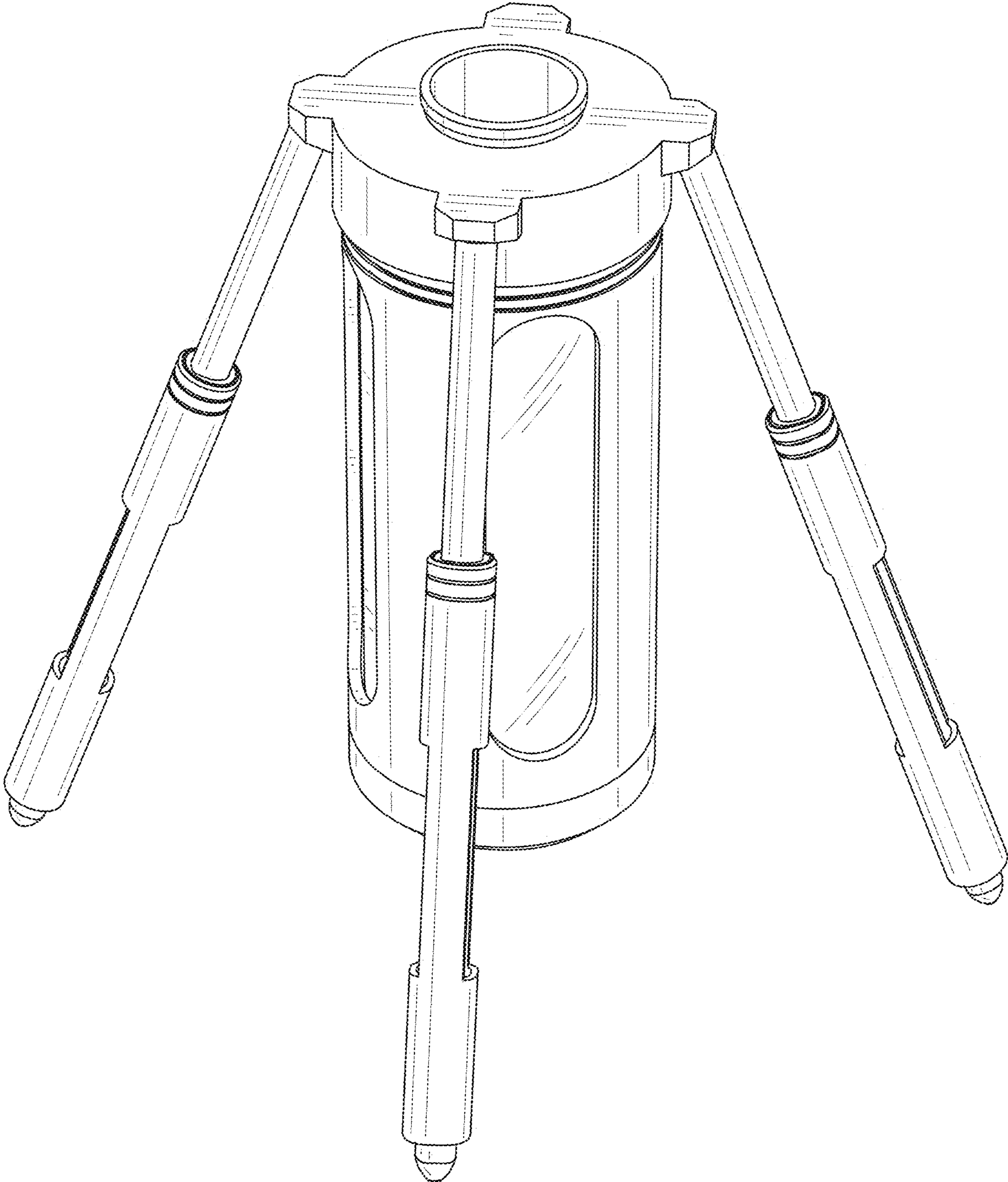




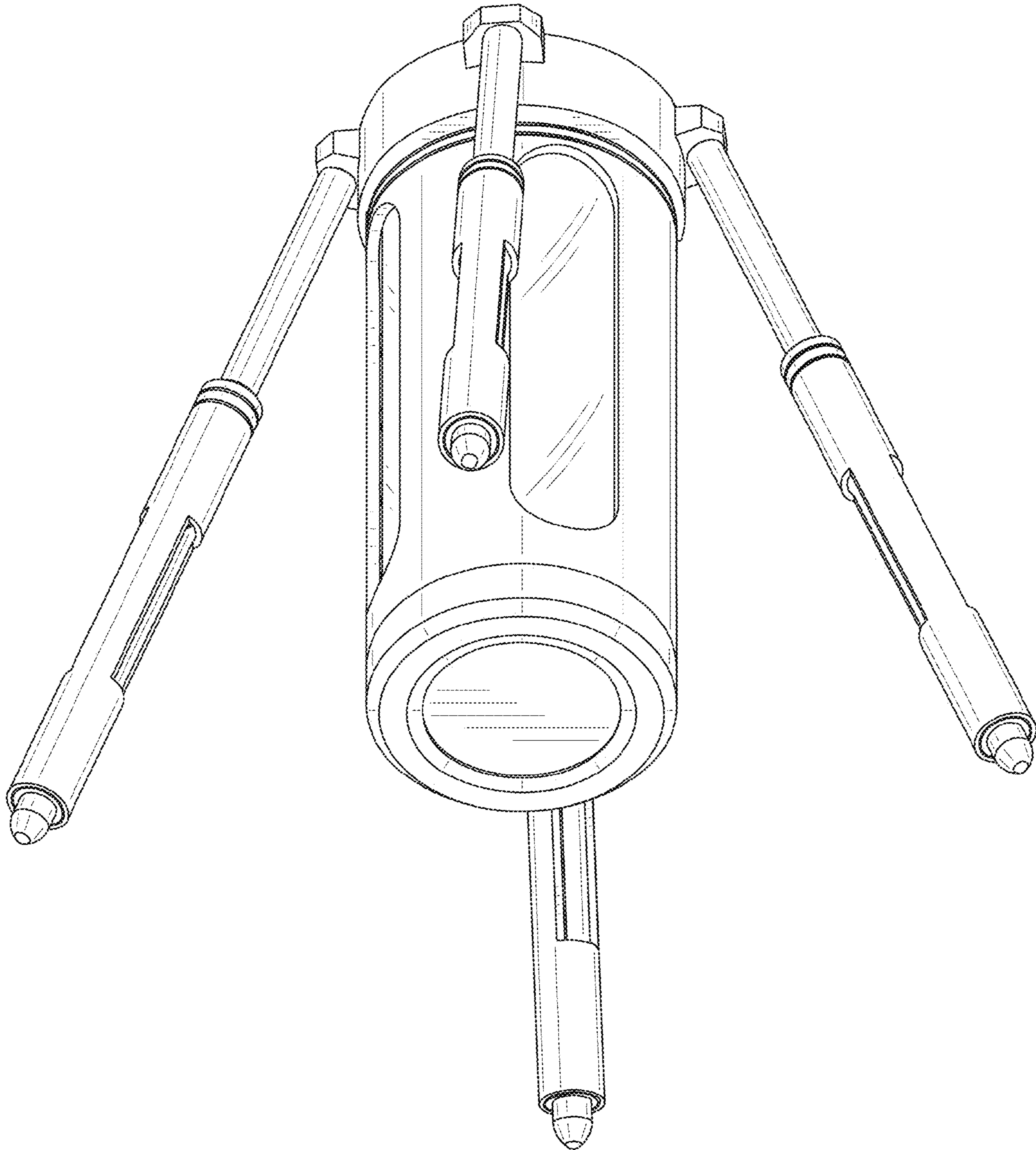
**FIG. 7**



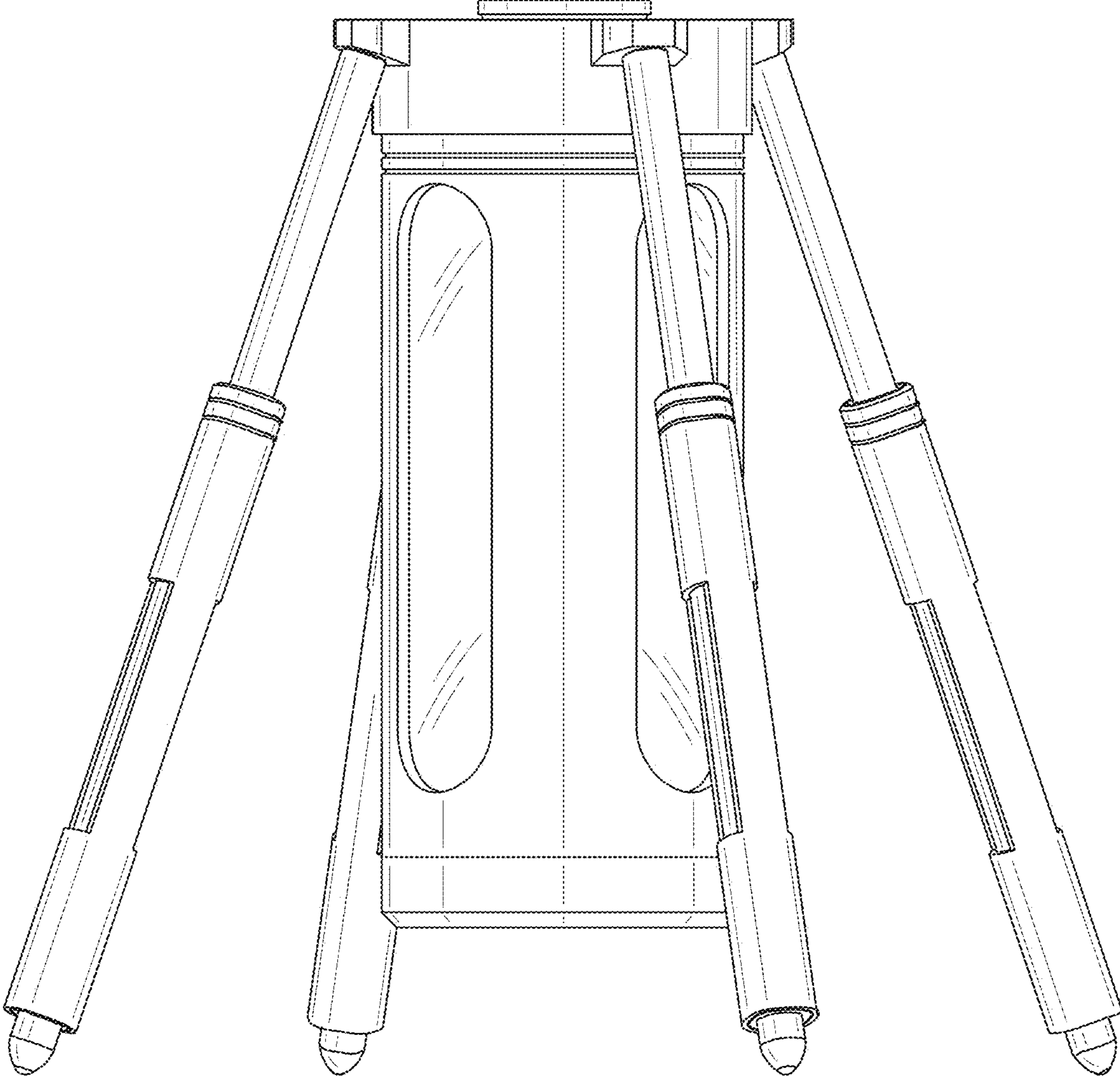
**FIG. 8**



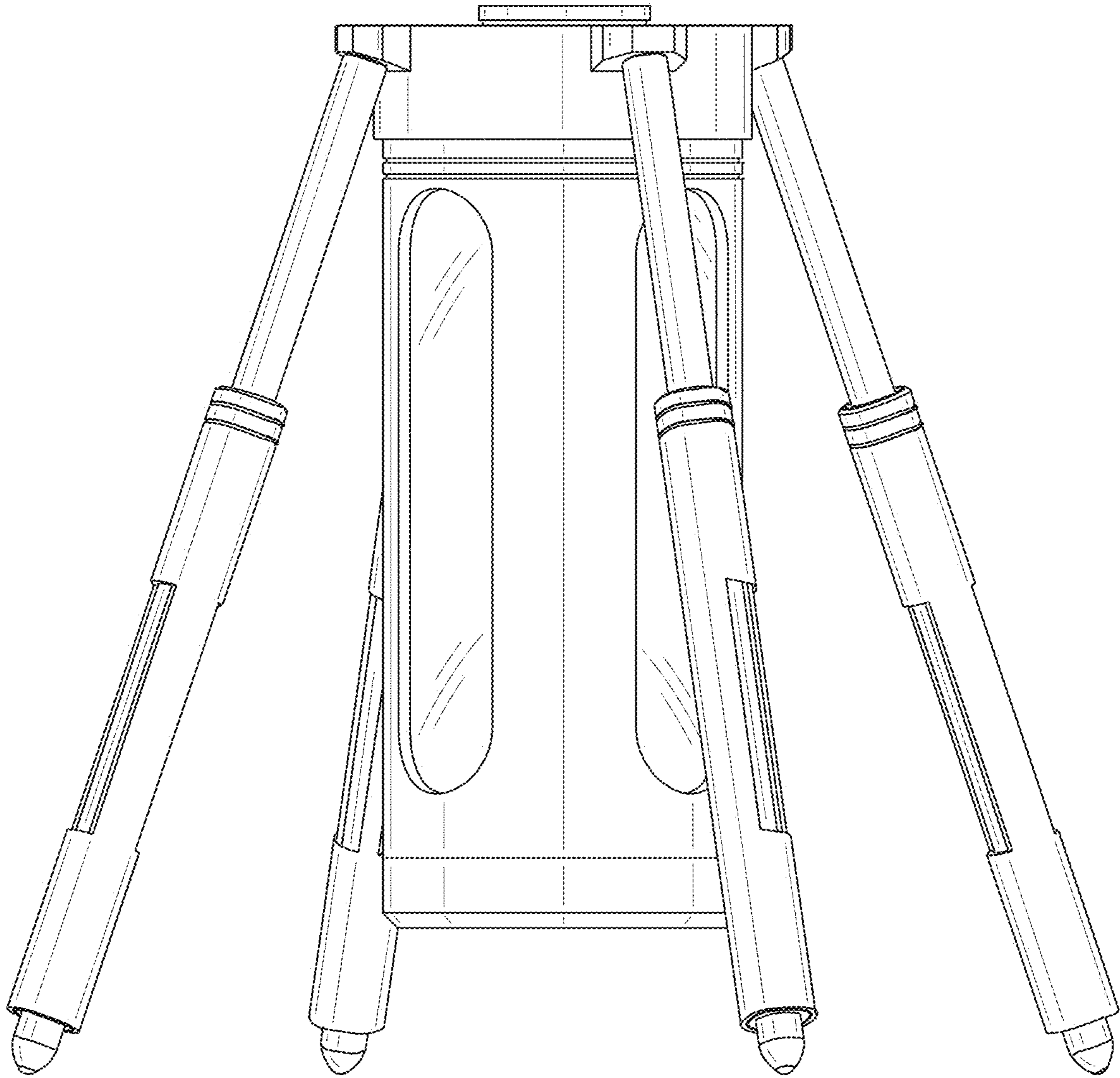
**FIG. 9**



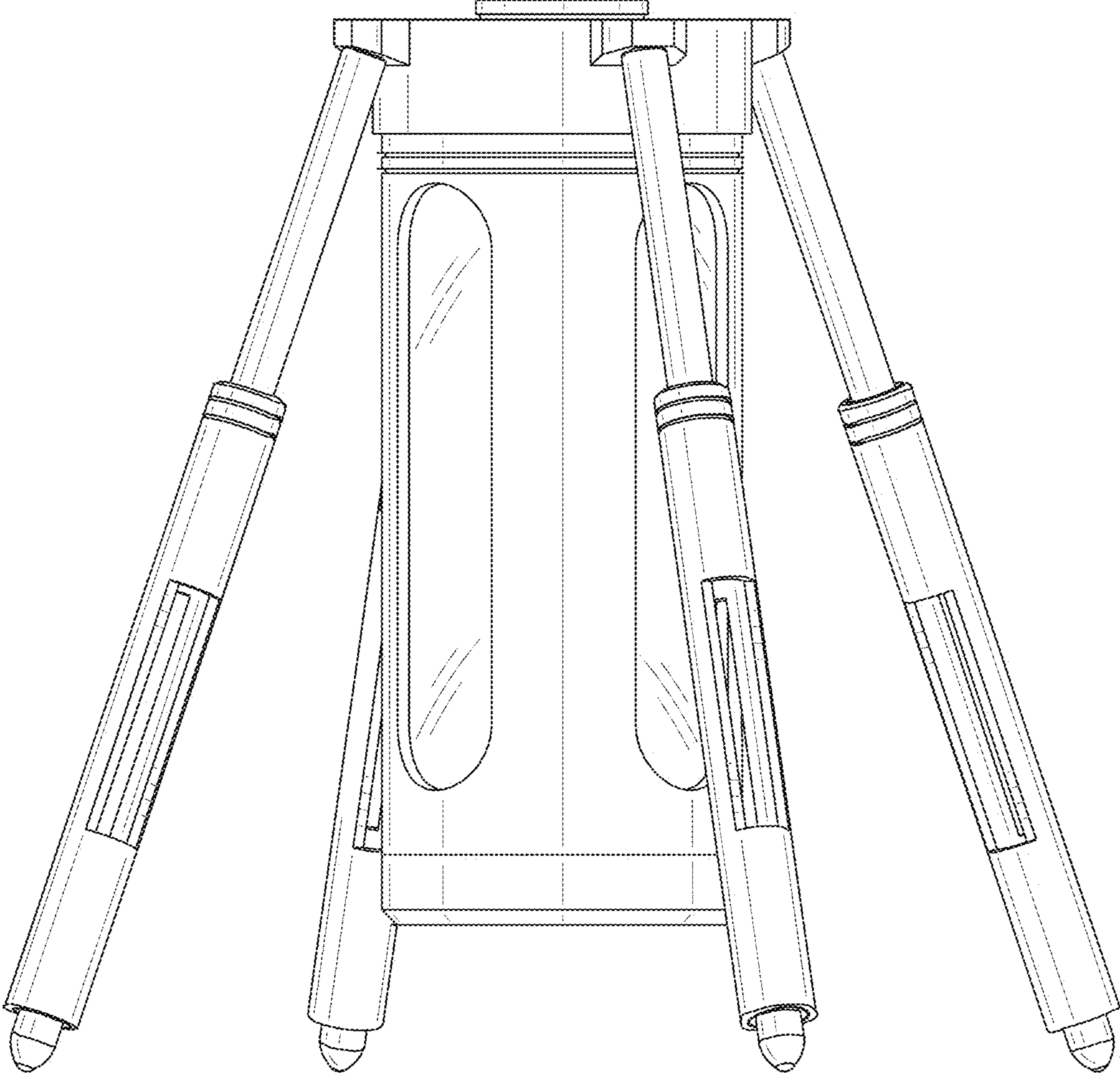
**FIG. 10**



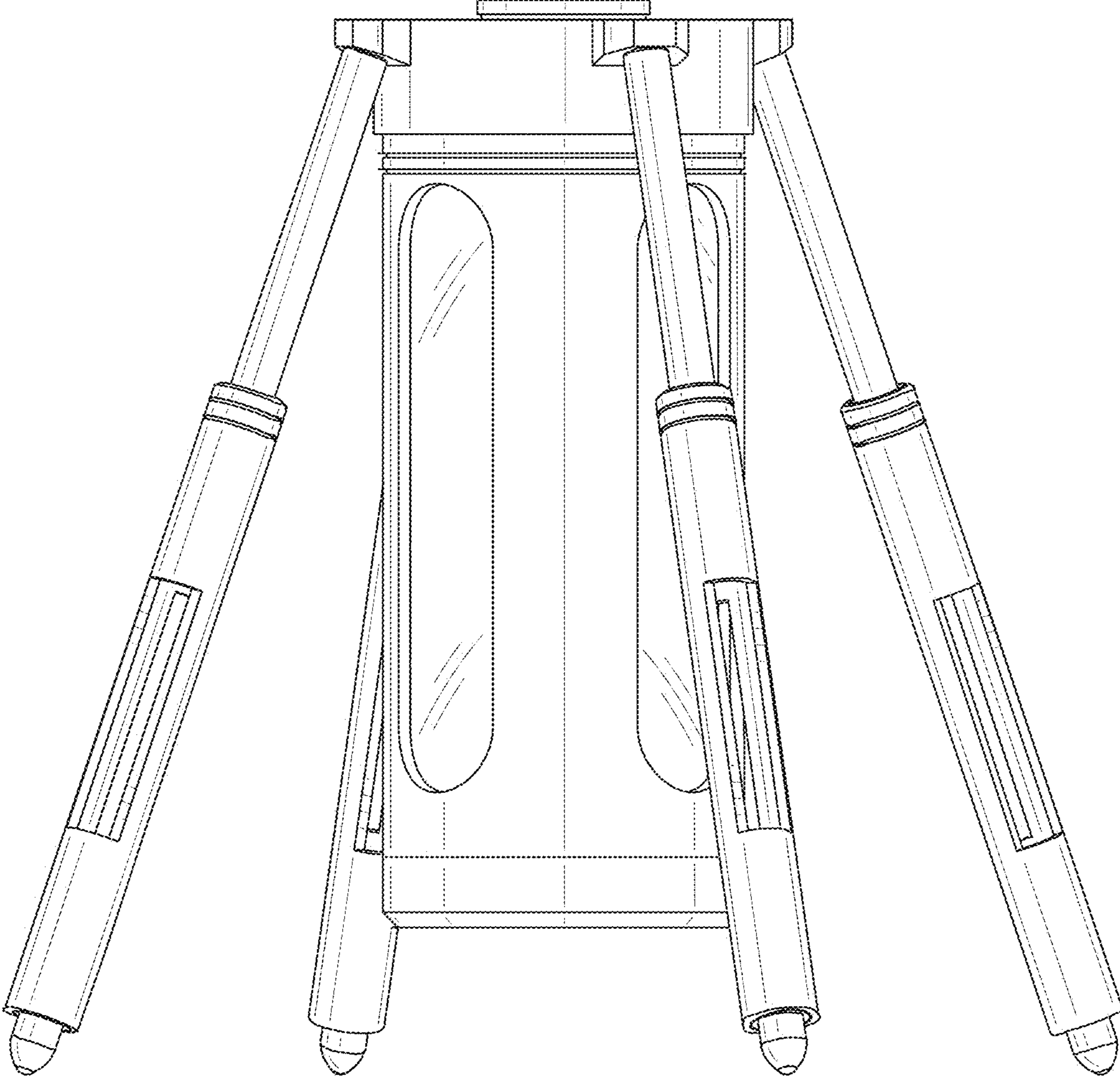
**FIG. 11**



**FIG. 12**

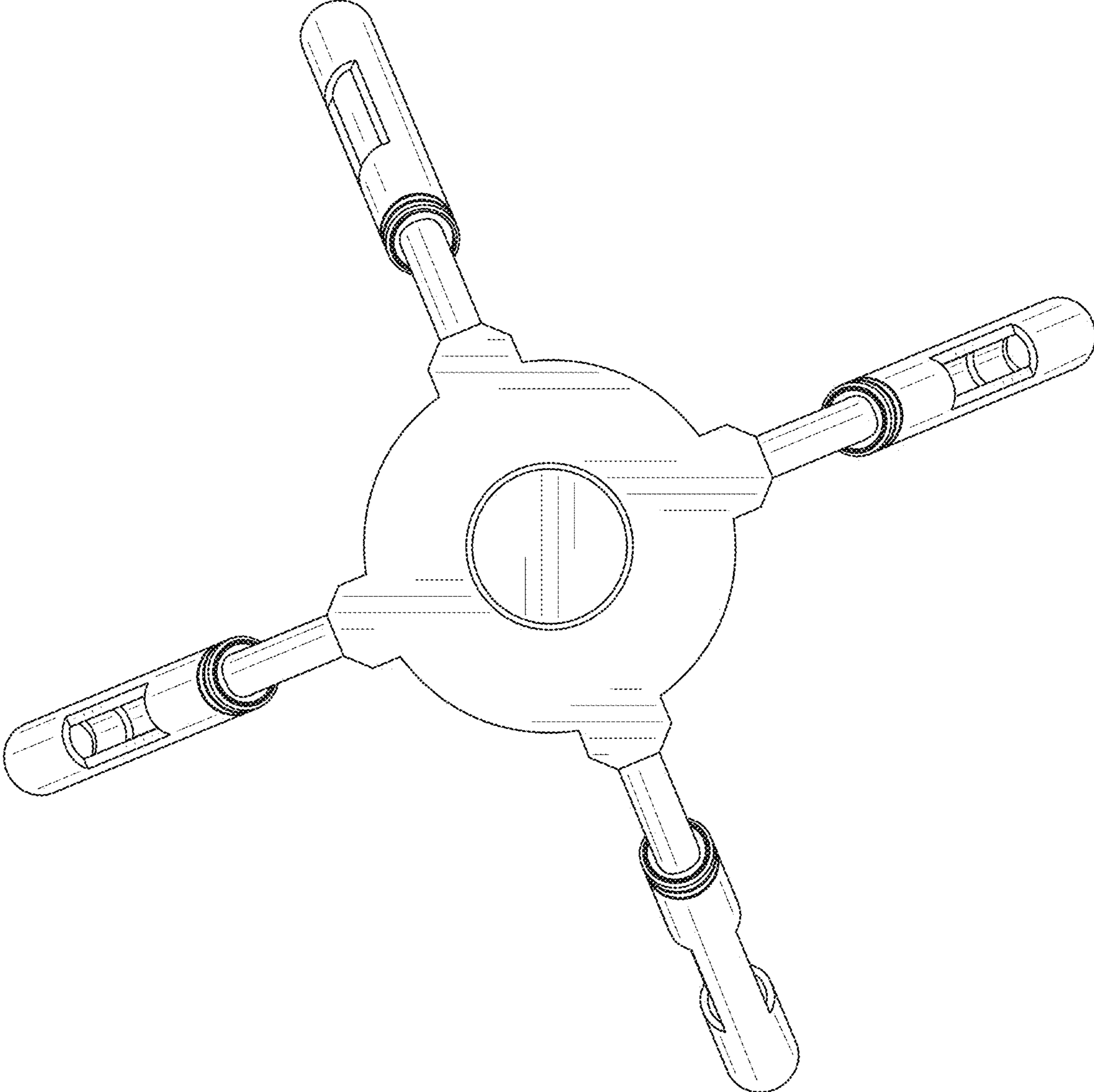


**FIG. 13**

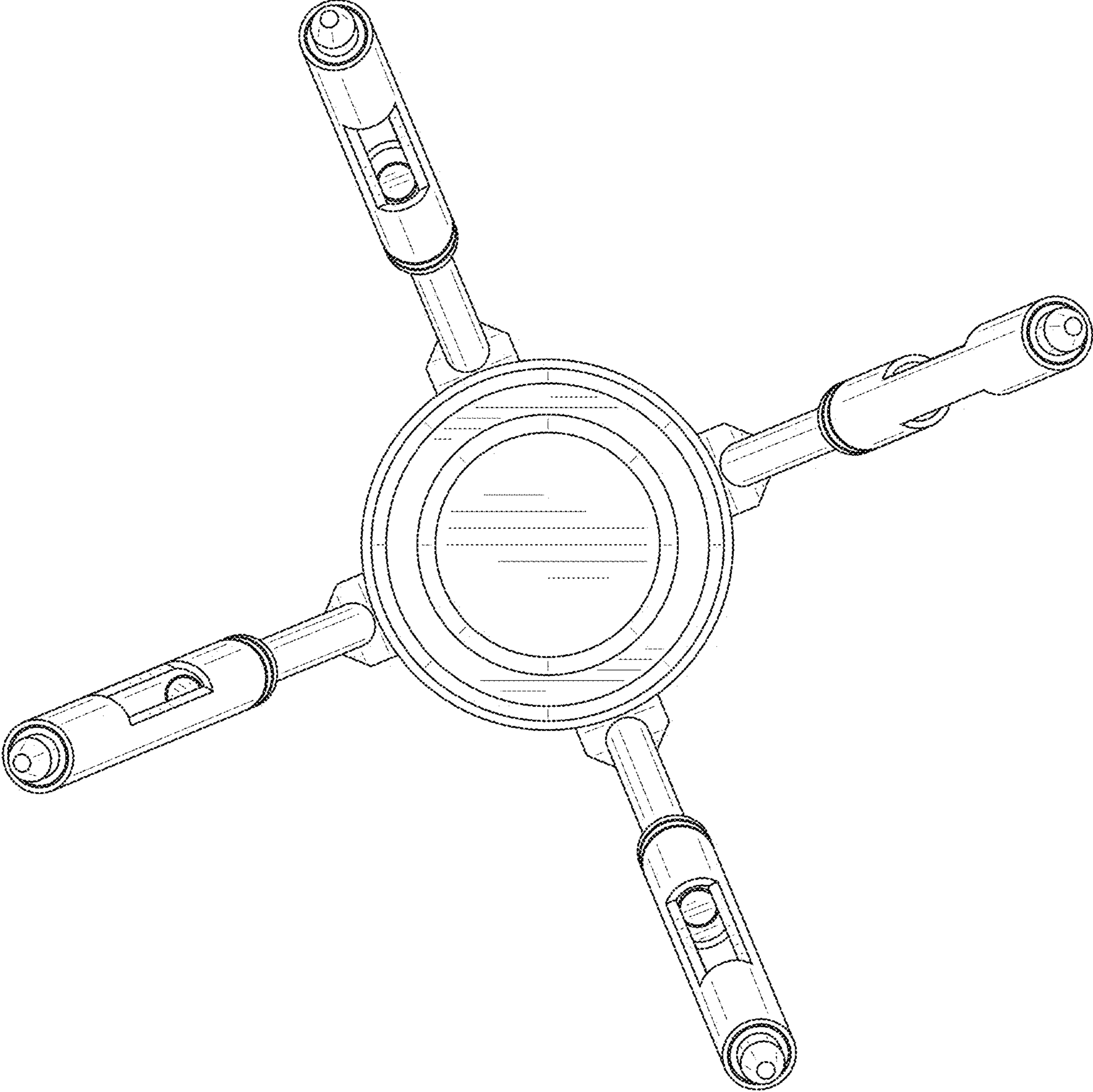


**FIG. 14**



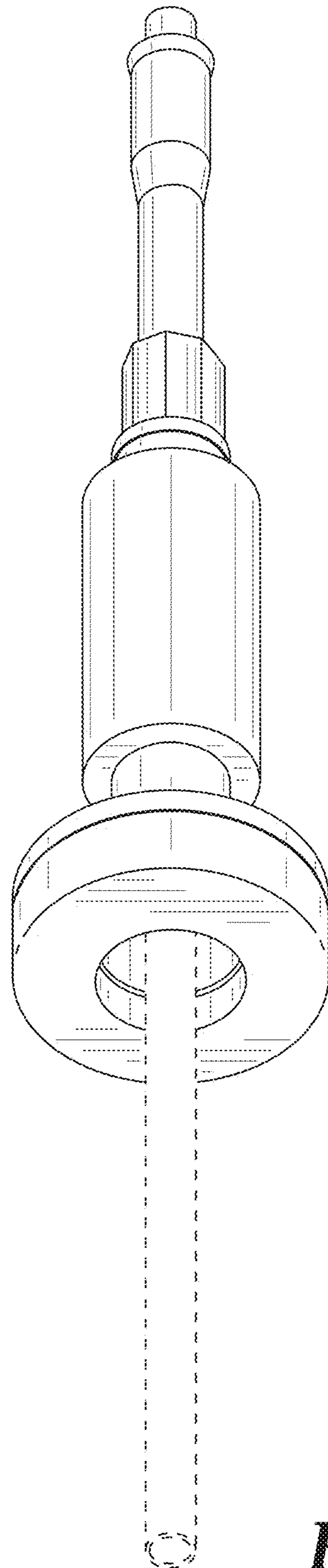


**FIG. 15**

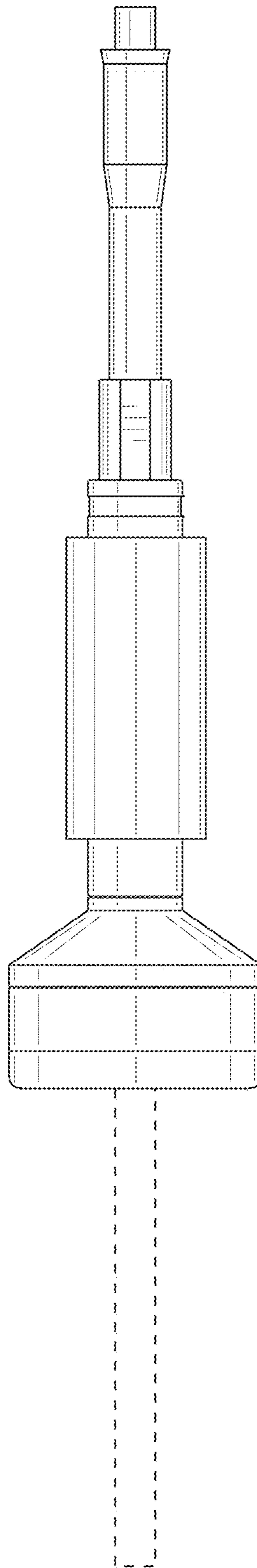


**FIG. 16**

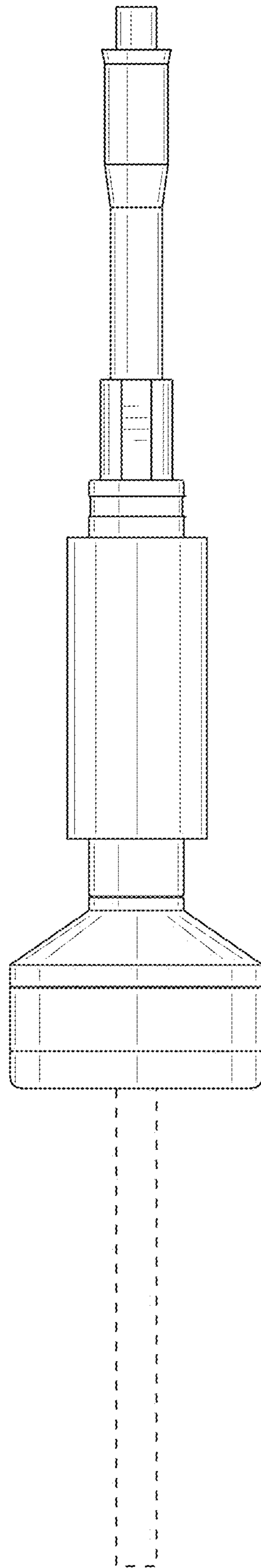




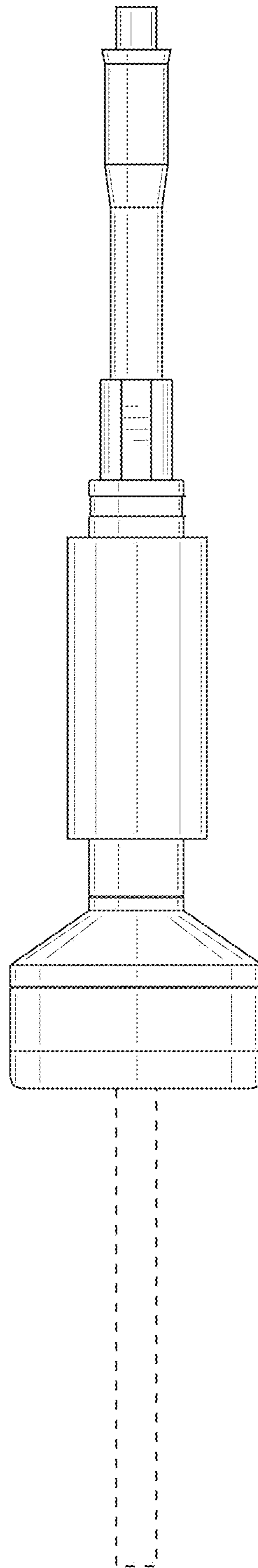
**FIG. 18**



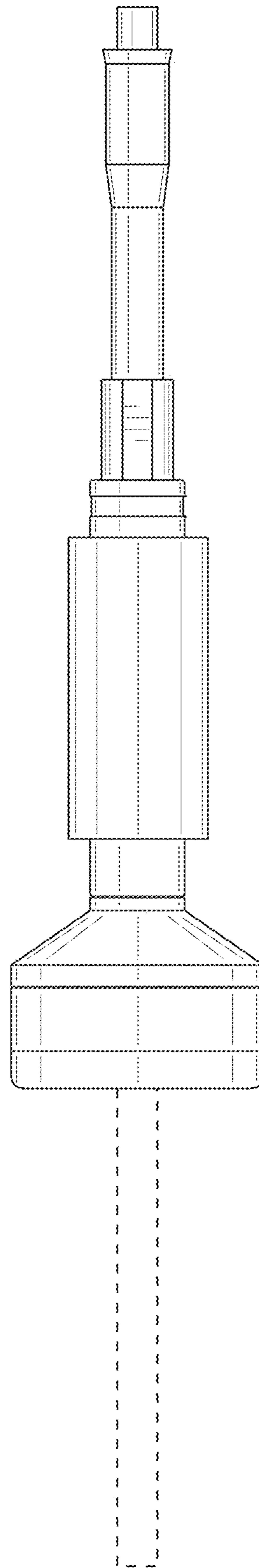
**FIG. 19**



**FIG. 20**

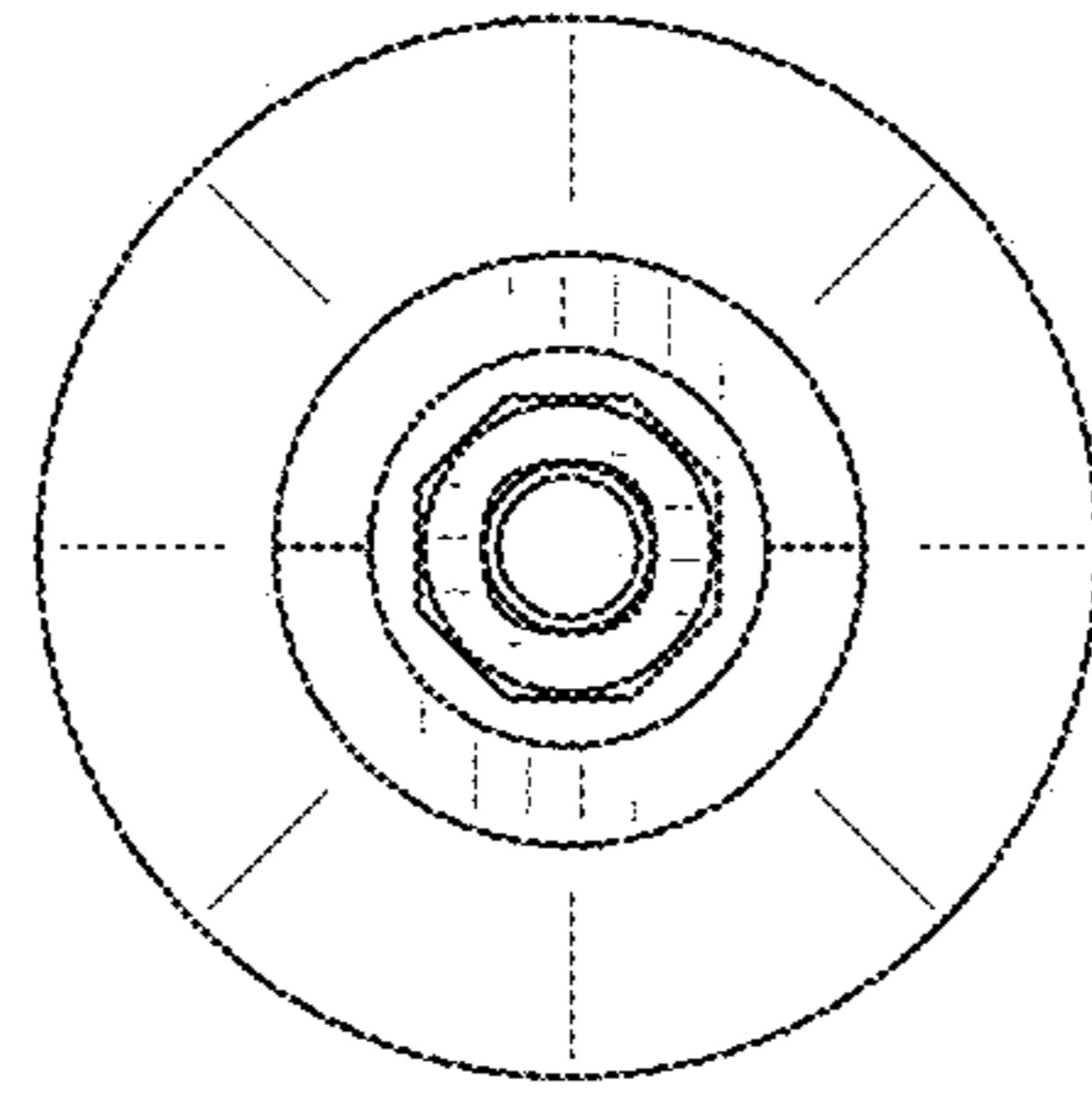


**FIG. 21**



**FIG. 22**





***FIG. 23***

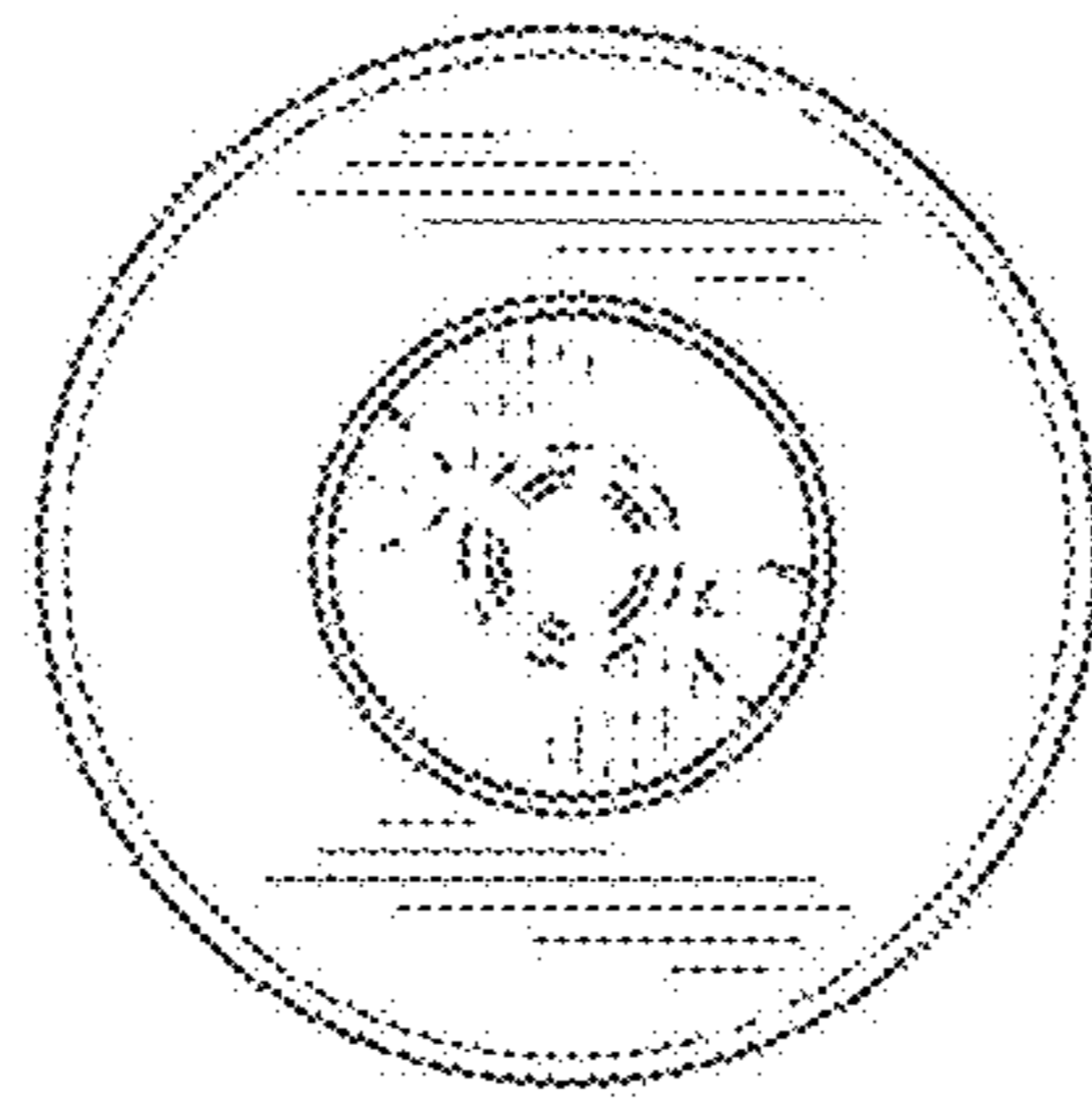


FIG 24