



US00D875298S

(12) **United States Design Patent**  
**Santoro**

(10) **Patent No.:** **US D875,298 S**  
(45) **Date of Patent:** **\*\* Feb. 11, 2020**

- (54) **LUMINAIRE HUB**
- (71) Applicant: **Fluxwerx Illumination Inc.**, Surrey (CA)
- (72) Inventor: **Scott Santoro**, Delta (CA)
- (73) Assignee: **Lumenpulse Group Inc./Groupe Lumenpulse Inc.**, Longueuil (CA)
- (\*\*) Term: **15 Years**
- (21) Appl. No.: **29/628,540**
- (22) Filed: **Dec. 5, 2017**
- (51) **LOC (12) Cl.** ..... **26-05**
- (52) **U.S. Cl.**  
USPC ..... **D26/138**
- (58) **Field of Classification Search**  
USPC .... D26/154, 138, 96, 95, 91, 92, 93, 28, 26,  
D26/27, 144, 142, 143, 71, 72, 73, 74,  
D26/75, 76, 77-79, 118  
CPC ..... F21Y 2103/30; F21Y 2107/30; F21V  
29/507; F21V 5/04  
See application file for complete search history.

- D797,978 S \* 9/2017 Blankenship ..... D26/74
- D812,802 S \* 3/2018 Garrett ..... D26/90
- D822,889 S \* 7/2018 Cartellone ..... D26/138
- 10,072,806 B1 \* 9/2018 Yarnell ..... F21S 8/06
- D842,525 S \* 3/2019 Yifan ..... D26/76
- D848,662 S \* 5/2019 Reynolds ..... D26/118

\* cited by examiner

*Primary Examiner* — Mark A Goodwin  
*Assistant Examiner* — Benjamin M Weeks  
(74) *Attorney, Agent, or Firm* — Oyen Wiggs Green & Mutala LLP

(57) **CLAIM**

The ornamental design for a luminaire hub, as shown and described.

**DESCRIPTION**

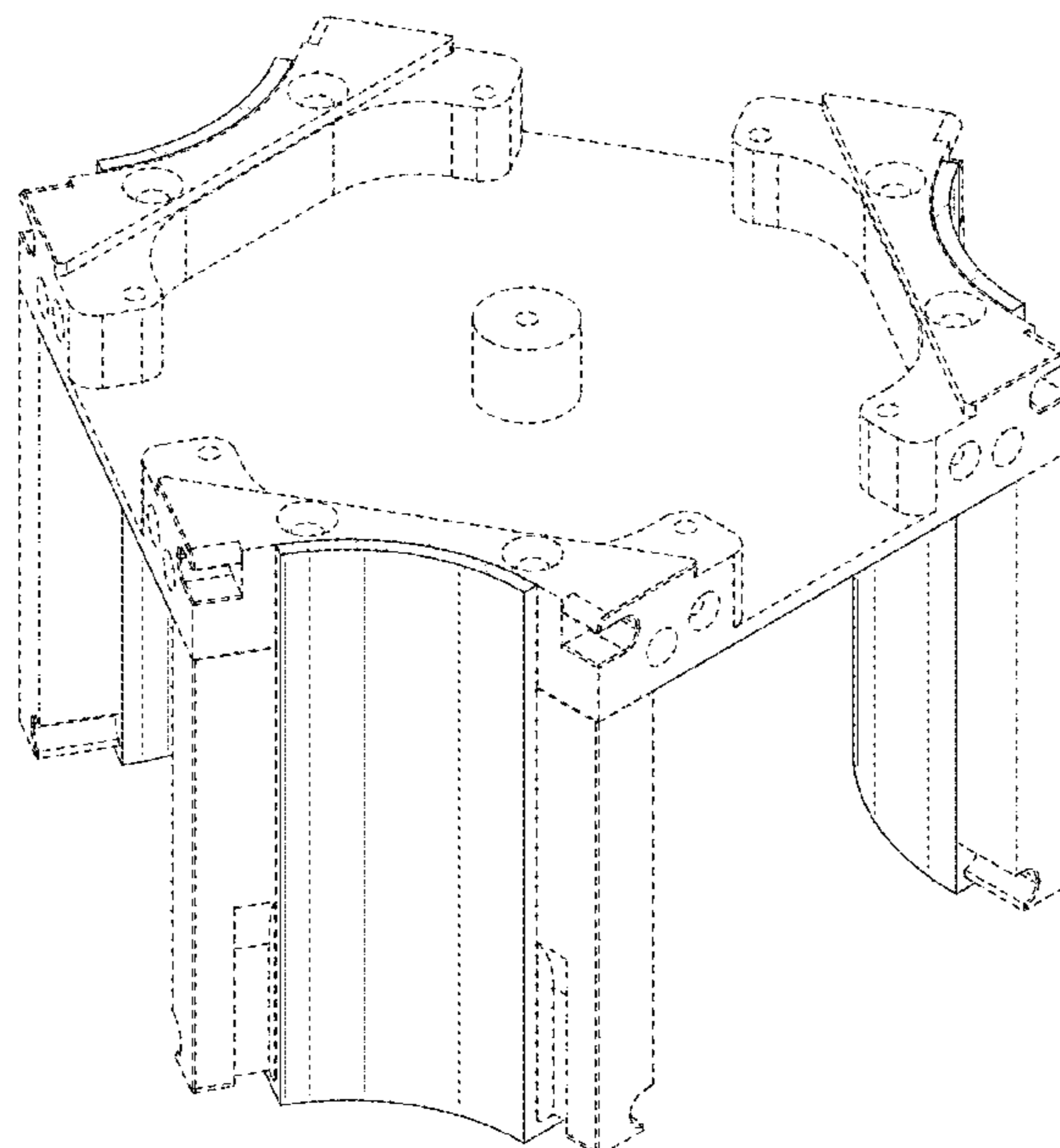
FIG. 1 is a top perspective view of a luminaire hub, showing my new design;  
FIG. 2 is a bottom perspective view thereof;  
FIG. 3 is a front view thereof;  
FIG. 4 is a side view thereof;  
FIG. 5 is a top view thereof;  
FIG. 6 is a bottom view thereof; and,  
FIG. 7 is a bottom perspective showing the environment in which the luminaire hub is used, the environment including three luminaire leg components attached to the luminaire hub.  
The broken lines shown in FIGS. 1 to 6 are included for the purpose of illustrating portions of the luminaire hub that form no part of the claimed design. The broken lines shown in FIG. 7 are included for the purpose of illustrating the environmental structure of the luminaire hub that form no part of the claimed design.

**1 Claim, 7 Drawing Sheets**

(56) **References Cited**

**U.S. PATENT DOCUMENTS**

- D394,728 S \* 5/1998 Alexander ..... D26/109
- D397,819 S \* 9/1998 Thorton, Jr. .... D26/77
- D444,262 S \* 6/2001 Eberlein ..... D26/118
- D463,061 S \* 9/2002 Ludwig ..... D26/118
- D463,601 S \* 9/2002 Ludwig ..... D26/76
- D547,898 S \* 7/2007 Tseng ..... D26/78
- D569,026 S \* 5/2008 Silver ..... D26/76
- D588,739 S \* 3/2009 Janssen ..... D26/76
- D632,823 S \* 2/2011 Kong ..... D26/76
- D735,928 S \* 8/2015 Hawkins ..... D26/120
- D747,528 S \* 1/2016 Katz ..... D26/74
- D757,324 S \* 5/2016 Rodgers ..... D26/76



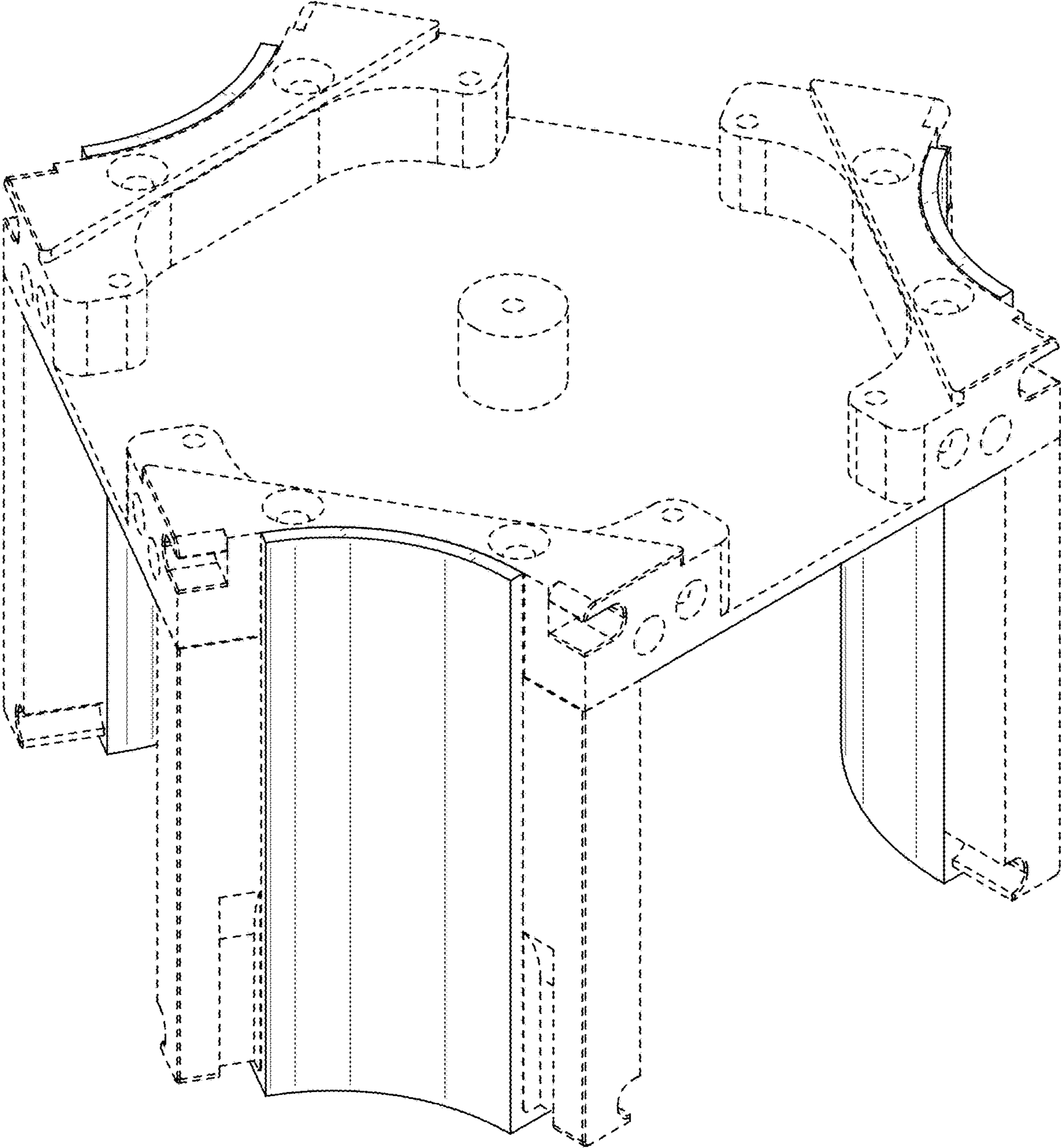


FIG. 1

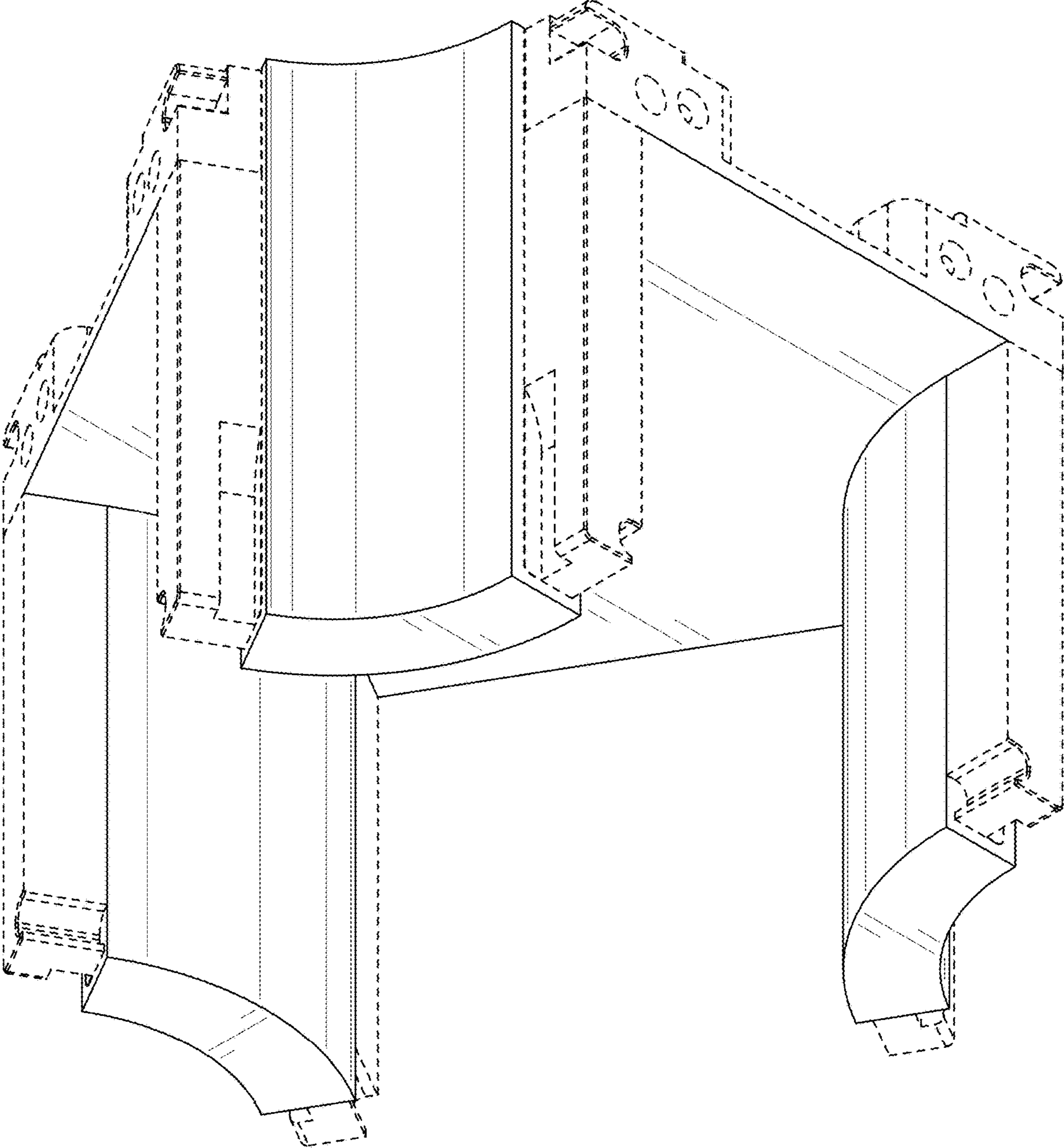


FIG. 2

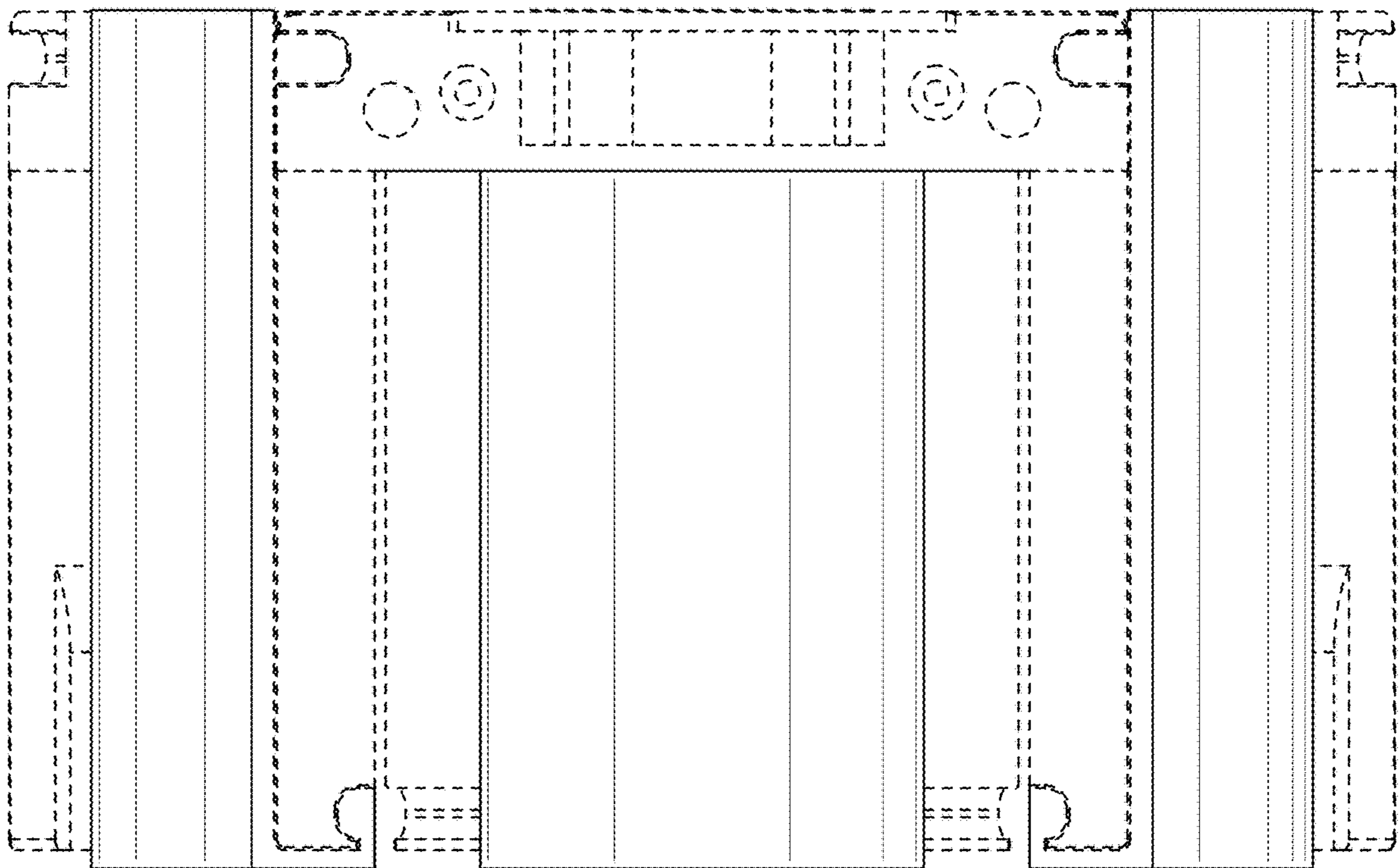


FIG. 3

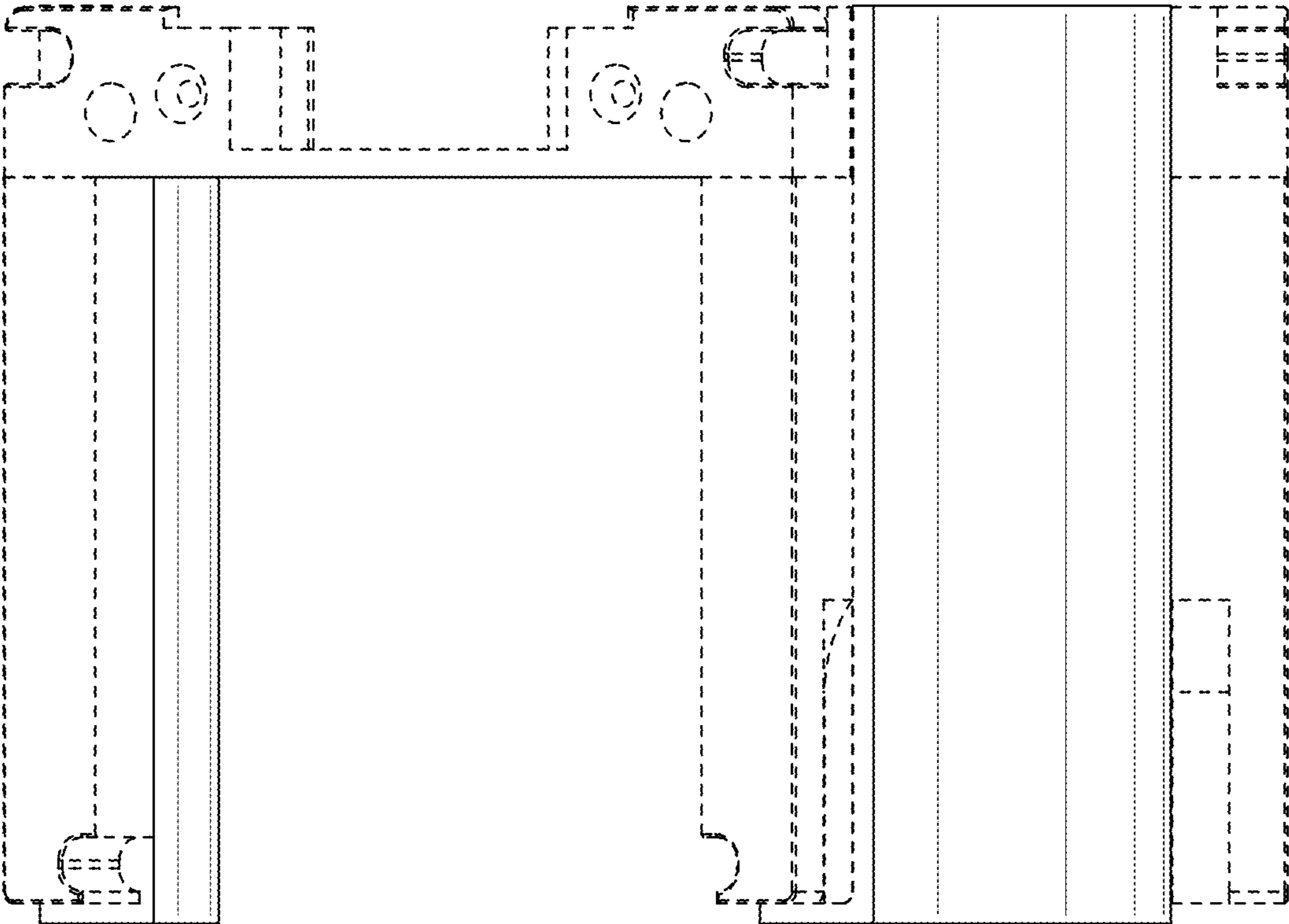


FIG. 4

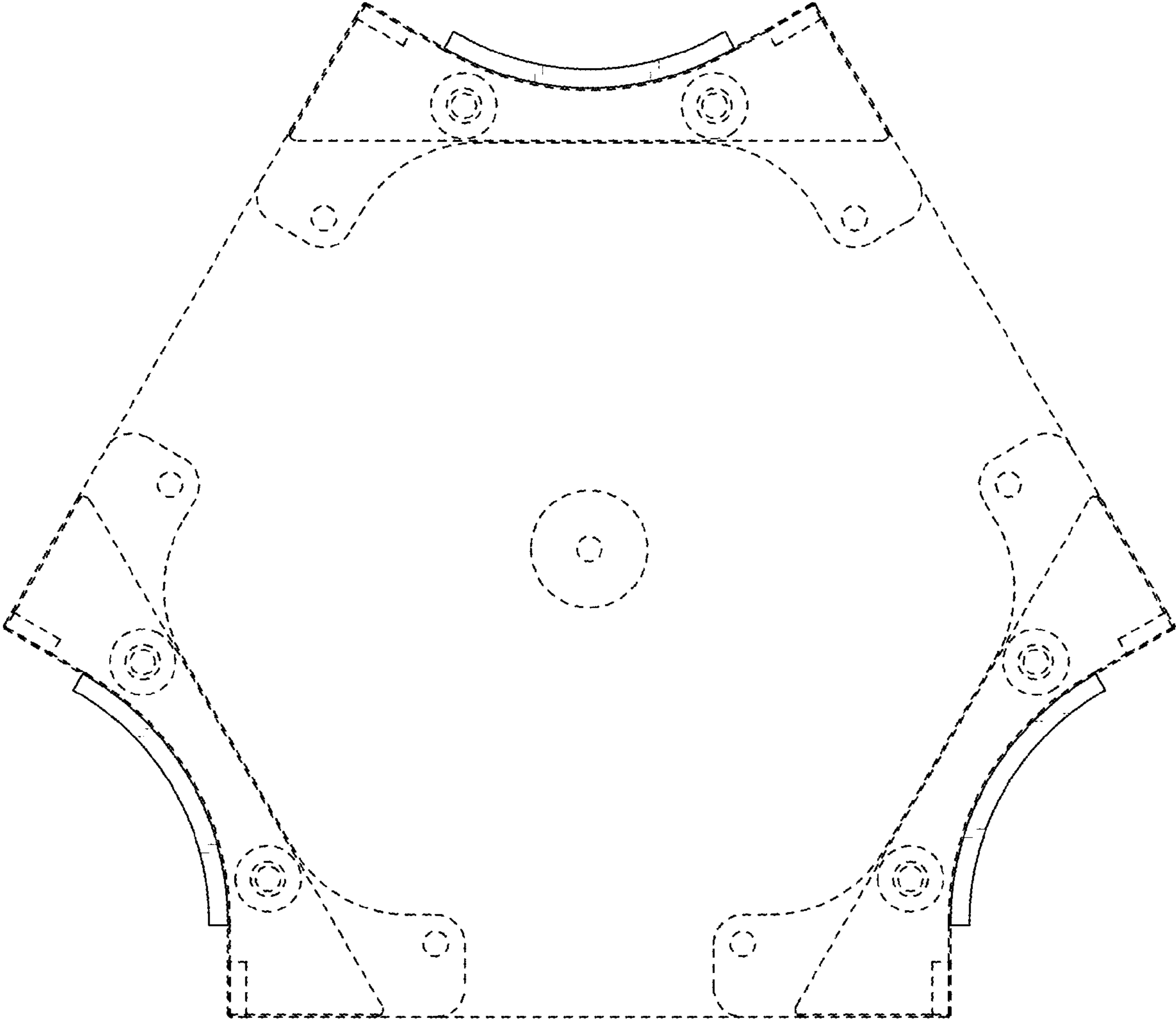


FIG. 5

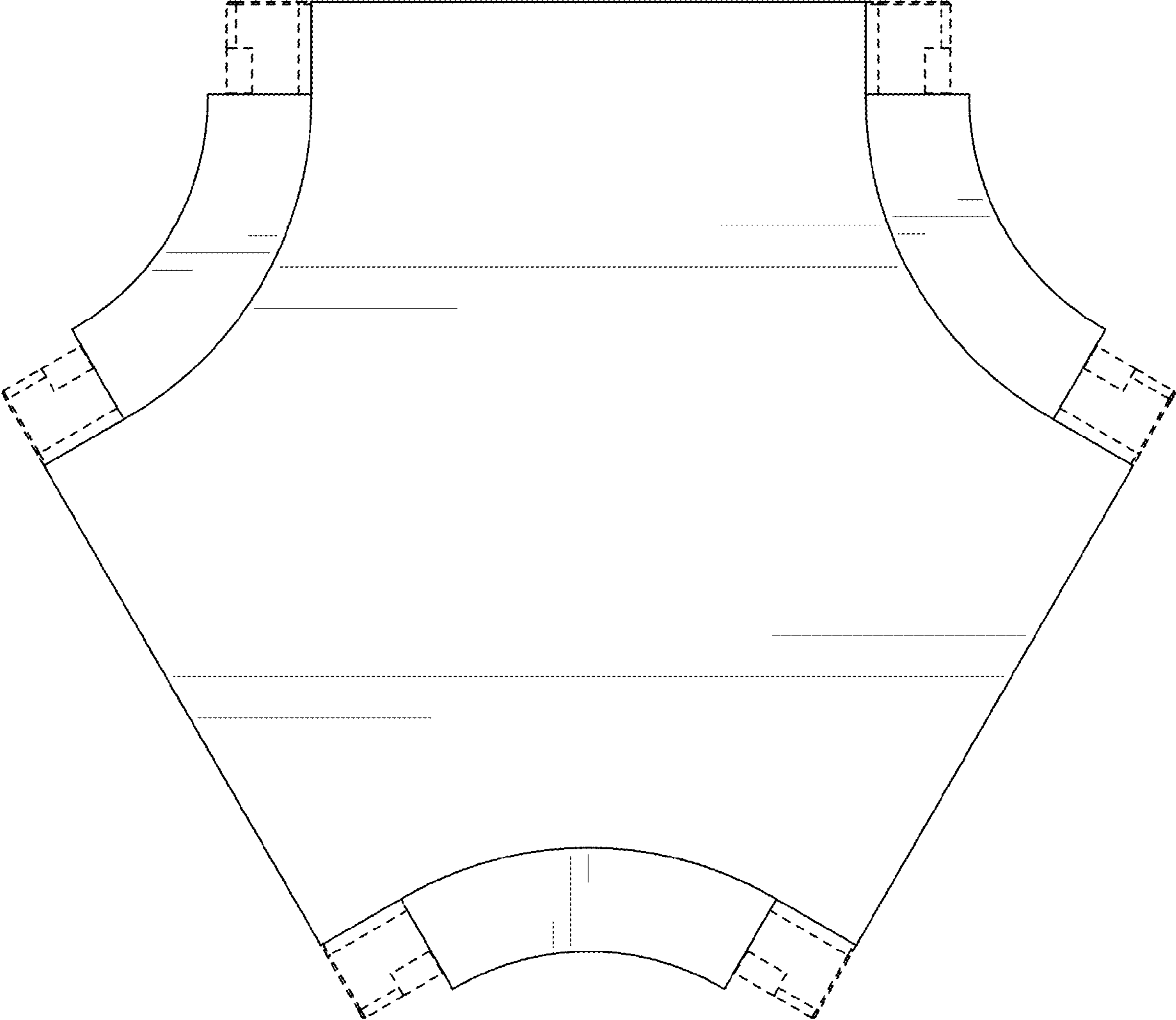


FIG. 6

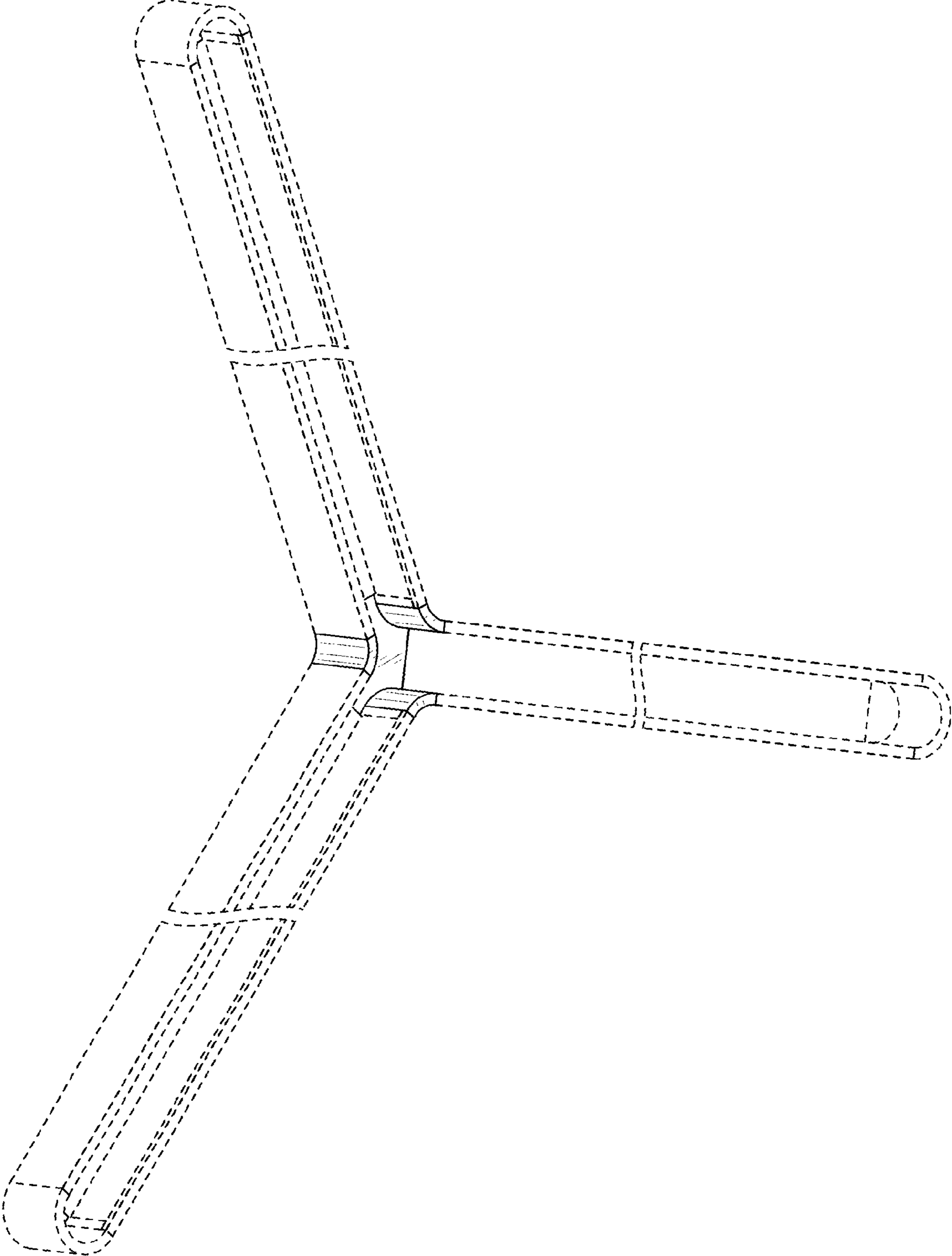


FIG. 7