



US00D875297S

(12) **United States Design Patent** (10) **Patent No.:** **US D875,297 S**  
**Nadell et al.** (45) **Date of Patent:** **\*\* Feb. 11, 2020**

(54) **LIGHT FIXTURE**

- (71) Applicant: **Troy-CSL Lighting, Inc.**, City of Industry, CA (US)
- (72) Inventors: **Steve Nadell**, Long Beach, CA (US); **Rogelio Visda**, Pampanga (PH)
- (73) Assignee: **Troy-CSL Lighting, Inc.**, City of Industry, CA (US)
- (\*\*) Term: **15 Years**
- (21) Appl. No.: **29/633,379**
- (22) Filed: **Jan. 12, 2018**
- (51) **LOC (12) Cl.** ..... **26-03**
- (52) **U.S. Cl.**  
USPC ..... **D26/118**
- (58) **Field of Classification Search**  
USPC ..... D26/25, 72, 80-92, 110, 118, 123, 124  
(Continued)

(56) **References Cited**

U.S. PATENT DOCUMENTS

- D391,661 S \* 3/1998 Pan ..... D26/86
  - D397,482 S \* 8/1998 Binsukor ..... D26/85
- (Continued)

FOREIGN PATENT DOCUMENTS

- CN 304206945 \* 7/2017
  - EM 000281241-0001 \* 3/2005
- (Continued)

*Primary Examiner* — Leanne Was-Englehart  
(74) *Attorney, Agent, or Firm* — Foley & Lardner LLP

(57) **CLAIM**

We claim the ornamental design for a light fixture, as shown and described.

**DESCRIPTION**

FIG. 1 is a front, top perspective view of a light fixture, according to a first embodiment;

FIG. 2 is a front, bottom perspective view of a light fixture, according to the first embodiment;  
 FIG. 3 is a front side view of a light fixture, according to the first embodiment;  
 FIG. 4 is a left side view of a light fixture, according to the first embodiment;  
 FIG. 5 is a right side view of a light fixture, according to the first embodiment;  
 FIG. 6 is a top view of a light fixture, according to the first embodiment;  
 FIG. 7 is a bottom view of a light fixture, according to the first embodiment;  
 FIG. 8 is a front, top perspective view of a light fixture, according to a second embodiment;  
 FIG. 9 is a front, right perspective view of a light fixture, according to the second embodiment;  
 FIG. 10 is a front side view of a light fixture, according to the second embodiment;  
 FIG. 11 is a left side view of a light fixture, according to the second embodiment;  
 FIG. 12 is a right side view of a light fixture, according to the second embodiment;  
 FIG. 13 is a top view of a light fixture, according to the second embodiment;  
 FIG. 14 is a bottom view of a light fixture, according to the second embodiment;  
 FIG. 15 is a front, top perspective view of a light fixture, according to a third embodiment;  
 FIG. 16 is a front, bottom perspective view of a light fixture, according to the third embodiment;  
 FIG. 17 is a front side view of a light fixture, according to the third embodiment;  
 FIG. 18 is a left side view of a light fixture, according to the third embodiment;  
 FIG. 19 is a right side view of a light fixture, according to the third embodiment;  
 FIG. 20 is a top view of a light fixture, according to the third embodiment;  
 FIG. 21 is a bottom view of a light fixture, according to the third embodiment;  
 FIG. 22 is a front, top perspective view of a light fixture, according to a fourth embodiment;  
 FIG. 23 is a front, right perspective view of a light fixture, according to the fourth embodiment;

(Continued)

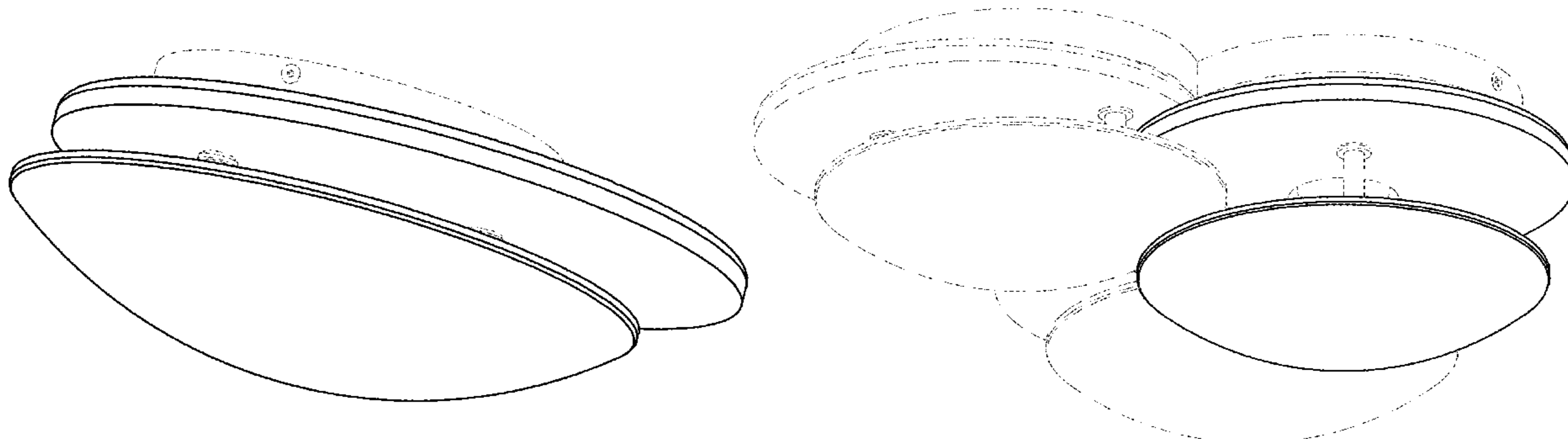


FIG. **24** is a front side view of a light fixture, according to the fourth embodiment;  
 FIG. **25** is a left side view of a light fixture, according to the fourth embodiment;  
 FIG. **26** is a right side view of a light fixture, according to the fourth embodiment;  
 FIG. **27** is a top view of a light fixture, according to the fourth embodiment; and,  
 FIG. **28** is a bottom view a light fixture, according to the fourth embodiment.  
 The broken lines depict portions of the light fixture that form no part of the claimed design.

(56)

**References Cited**

U.S. PATENT DOCUMENTS

D459,526	S	*	6/2002	Dolan	.....	D26/88
D469,210	S	*	1/2003	Homann	.....	D26/118
D469,211	S	*	1/2003	Homann	.....	D26/118
D471,313	S	*	3/2003	Homann	.....	D26/118
D475,802	S	*	6/2003	Homann	.....	D26/118
D541,975	S	*	5/2007	Isaacson	.....	D26/128
D564,123	S	*	3/2008	Porter	.....	D26/141
D667,158	S	*	9/2012	Fisher	.....	D26/80
D679,443	S	*	4/2013	Parekh	.....	D26/118
D694,463	S	*	11/2013	Sieczkowski	.....	D26/124
D803,470	S	*	11/2017	Austin, III	.....	D26/118

**1 Claim, 18 Drawing Sheets**

FOREIGN PATENT DOCUMENTS

(58) **Field of Classification Search**  
 CPC ..... F21Y 2115/10; F21Y 2103/30; F21Y 2107/30; F21V 29/004; F21V 29/507; F21V 29/60; F21V 29/677  
 See application file for complete search history.

EM	000670609-0002	*	3/2007
EM	003024371-0020	*	3/2016
WO	D037841-007	*	12/1996
WO	D041620-010	*	12/1997

\* cited by examiner

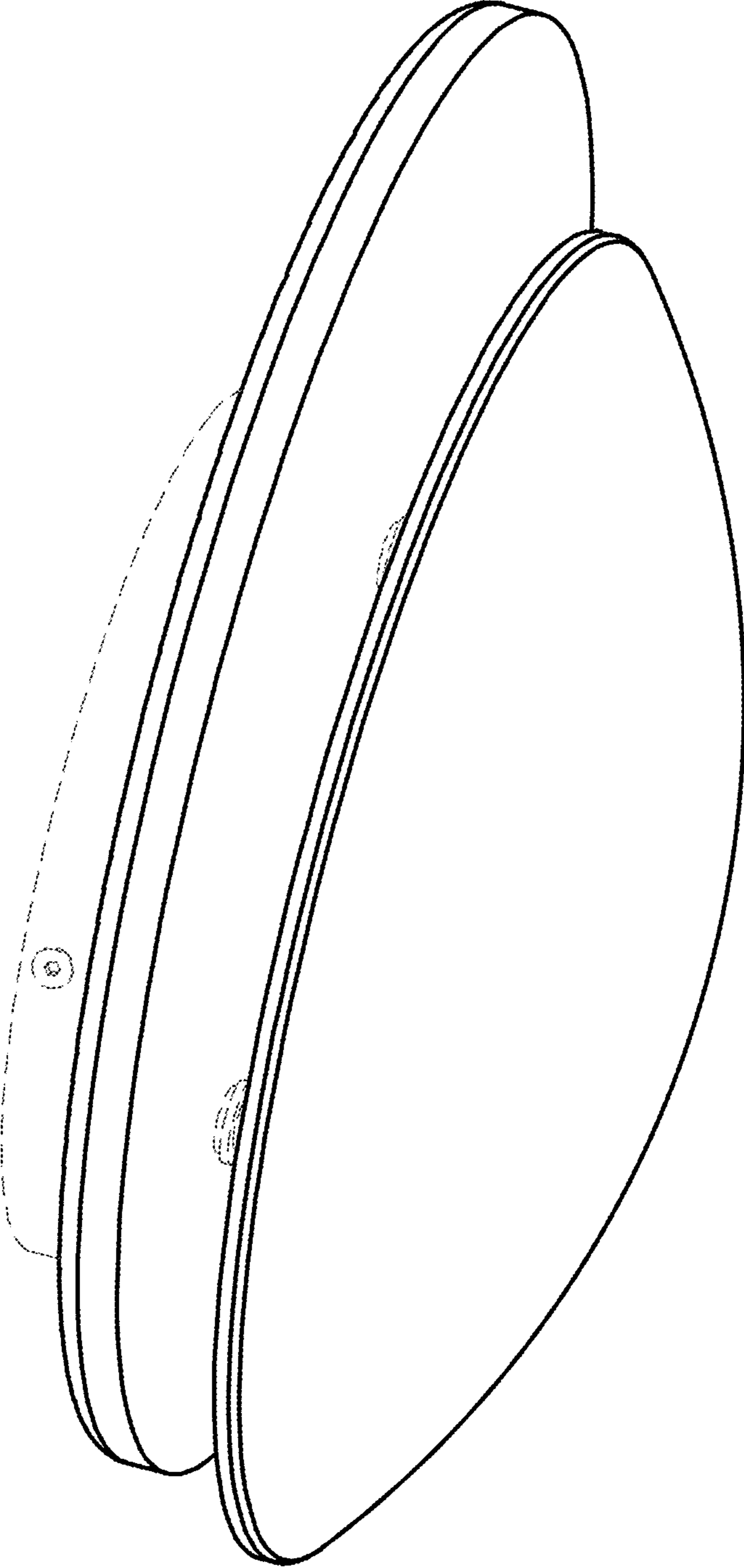


Fig. 1

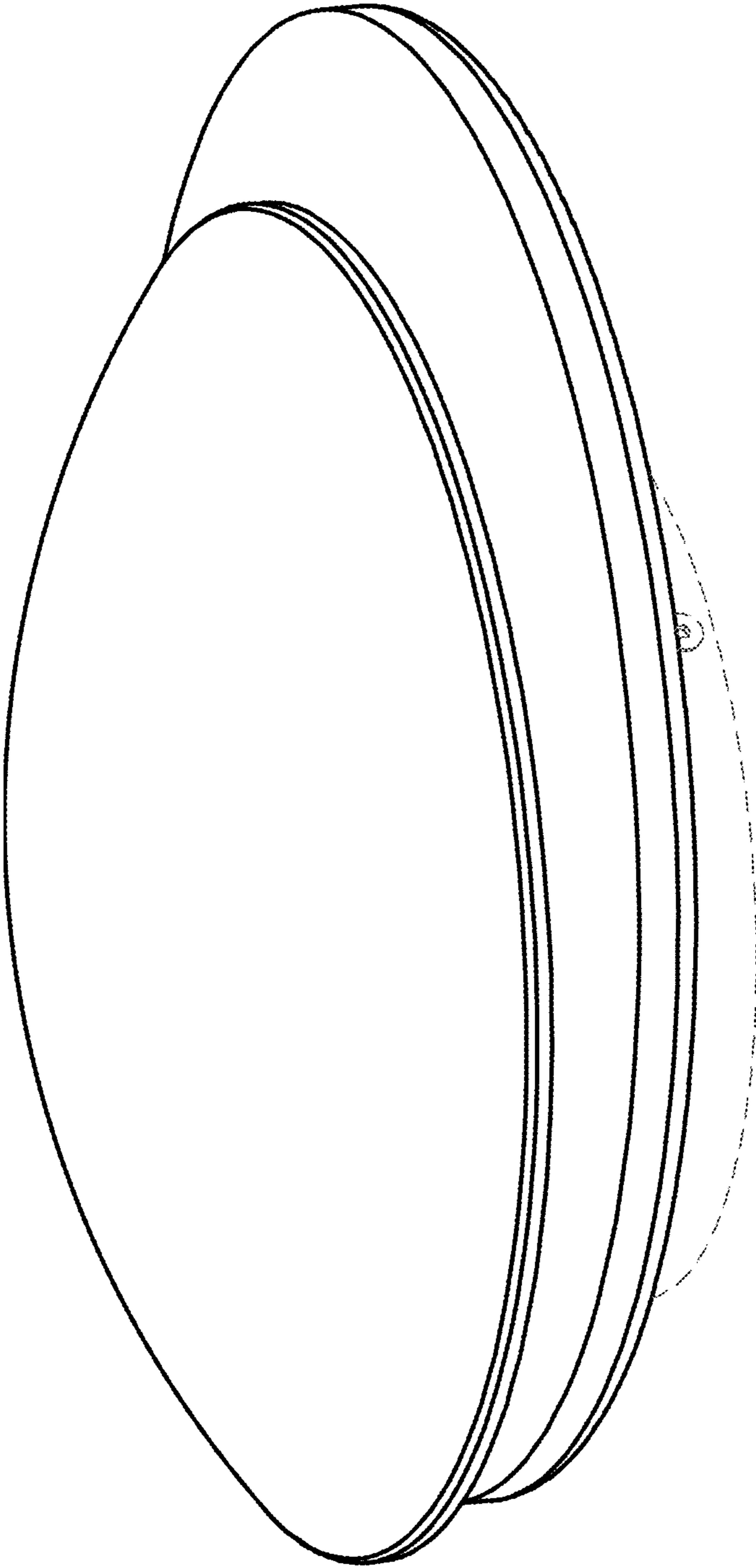


Fig. 2

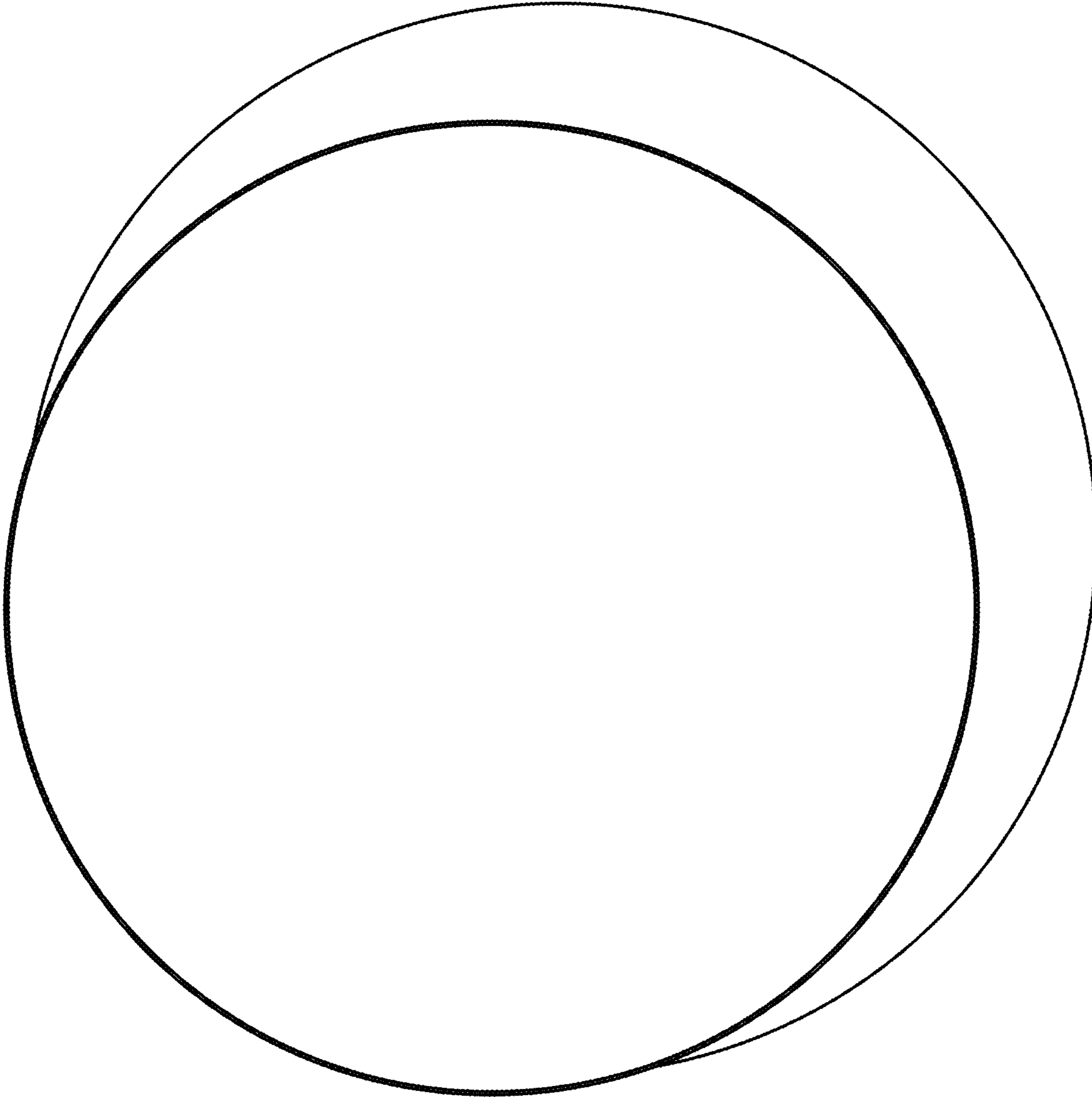


Fig. 3

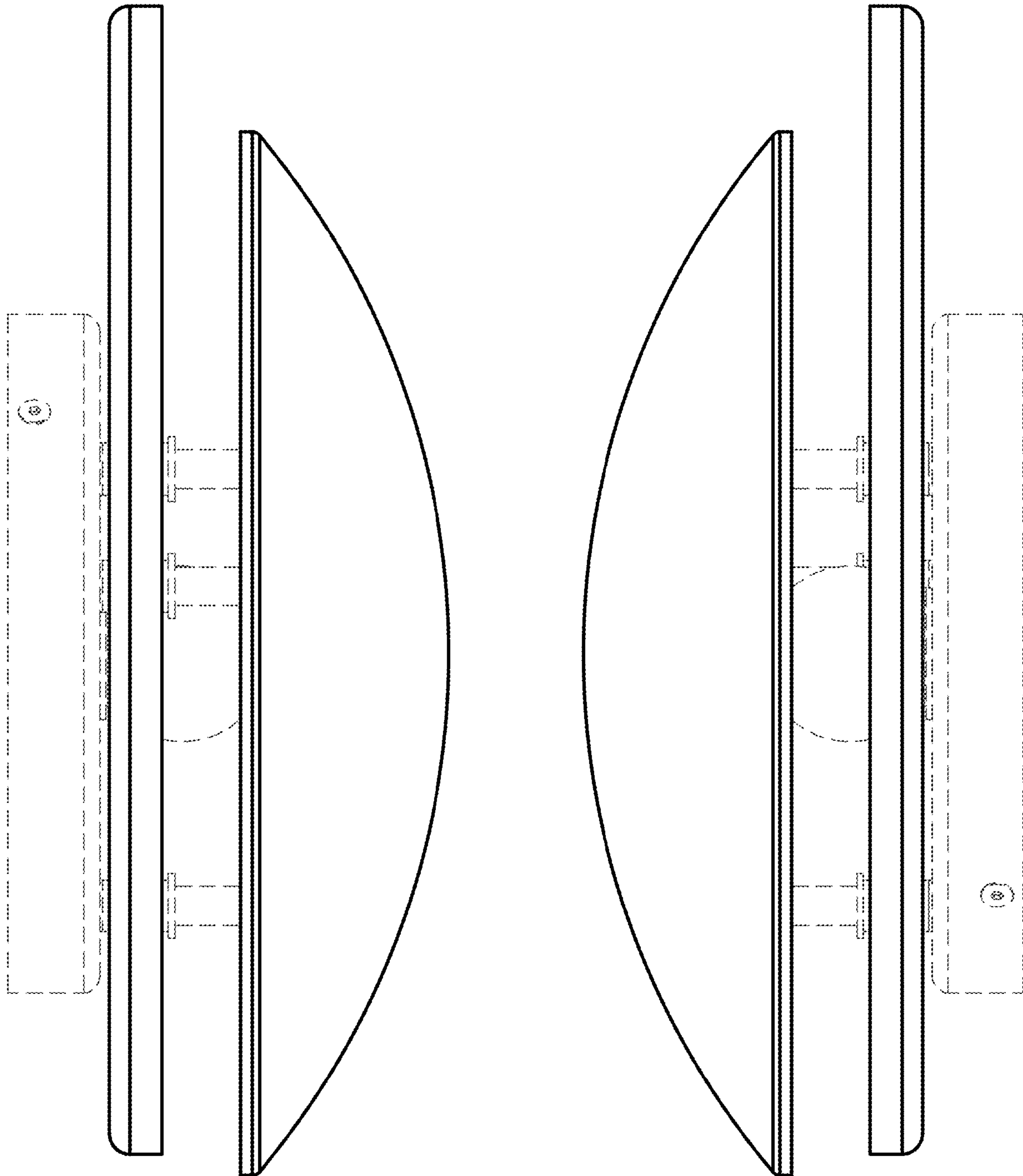


Fig. 4

Fig. 5

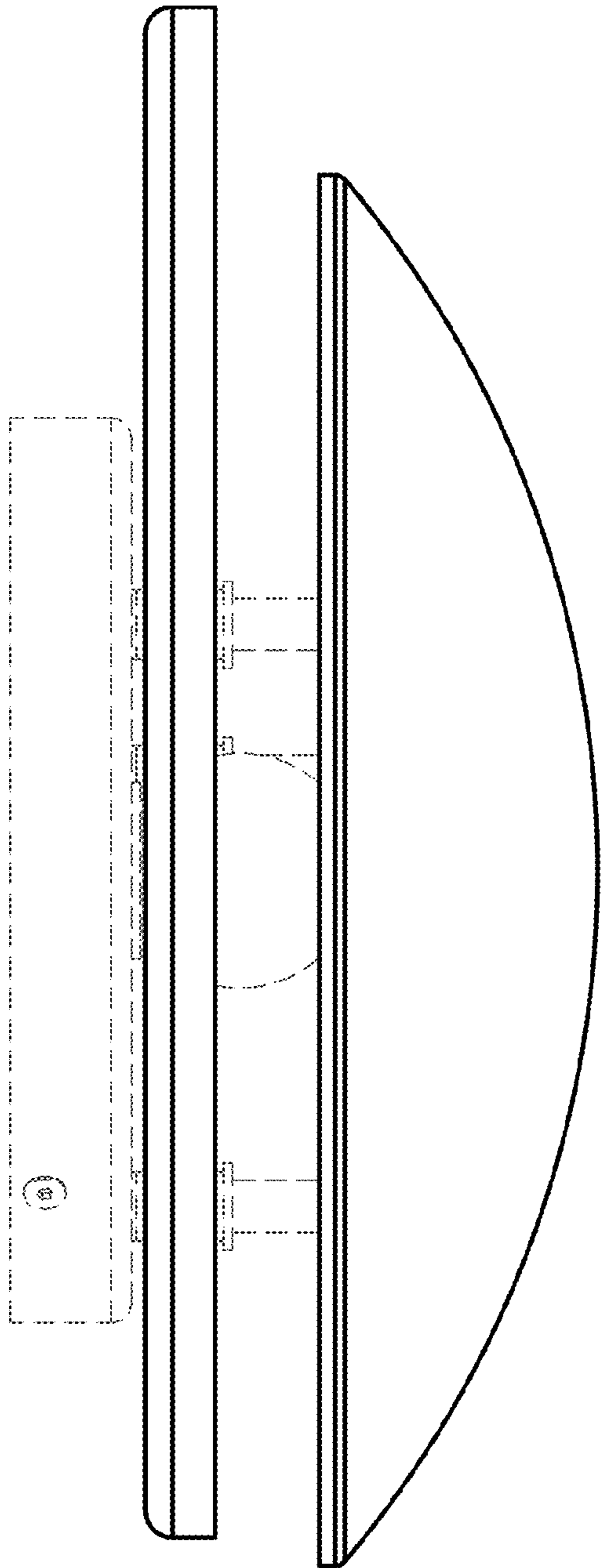


Fig. 6

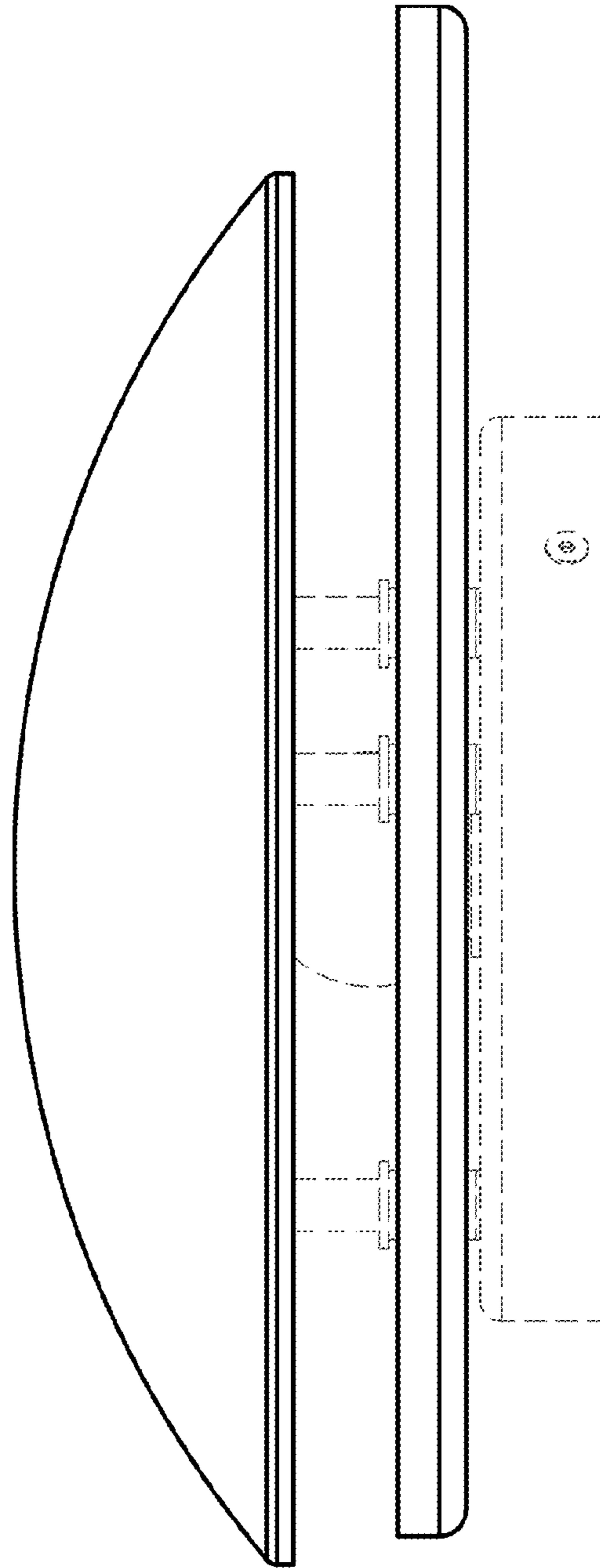


Fig. 7

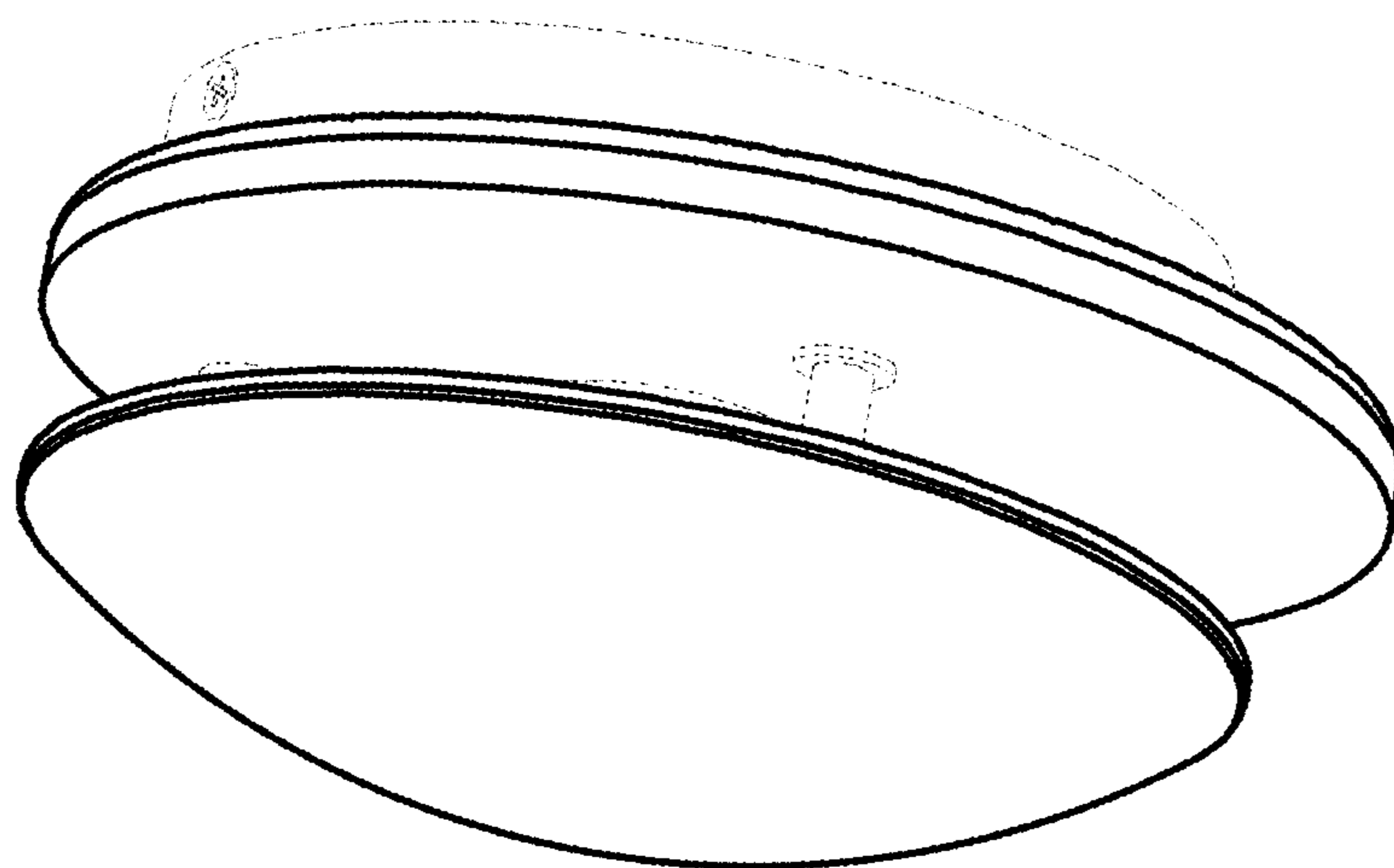


Fig. 8

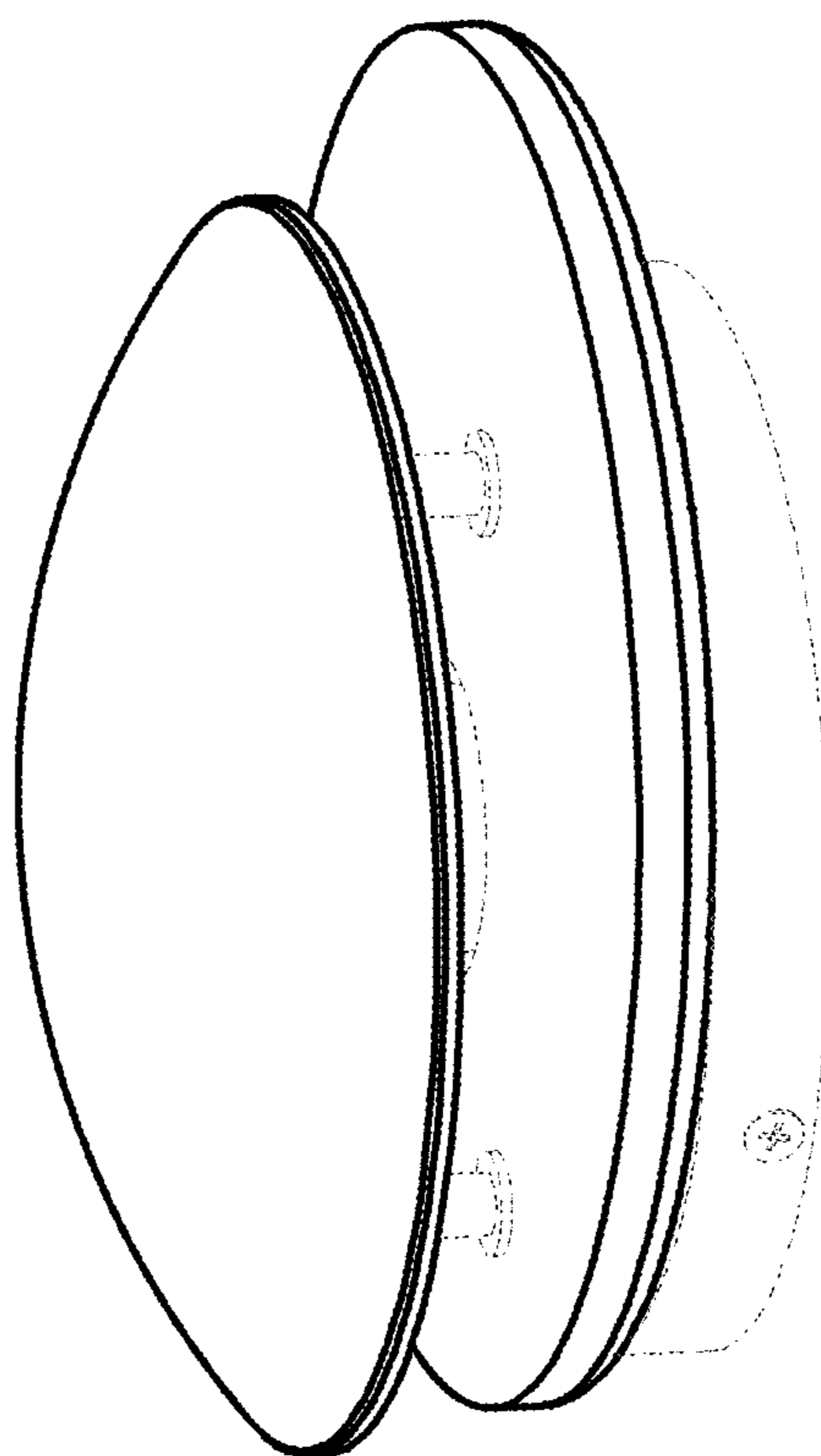


Fig. 9



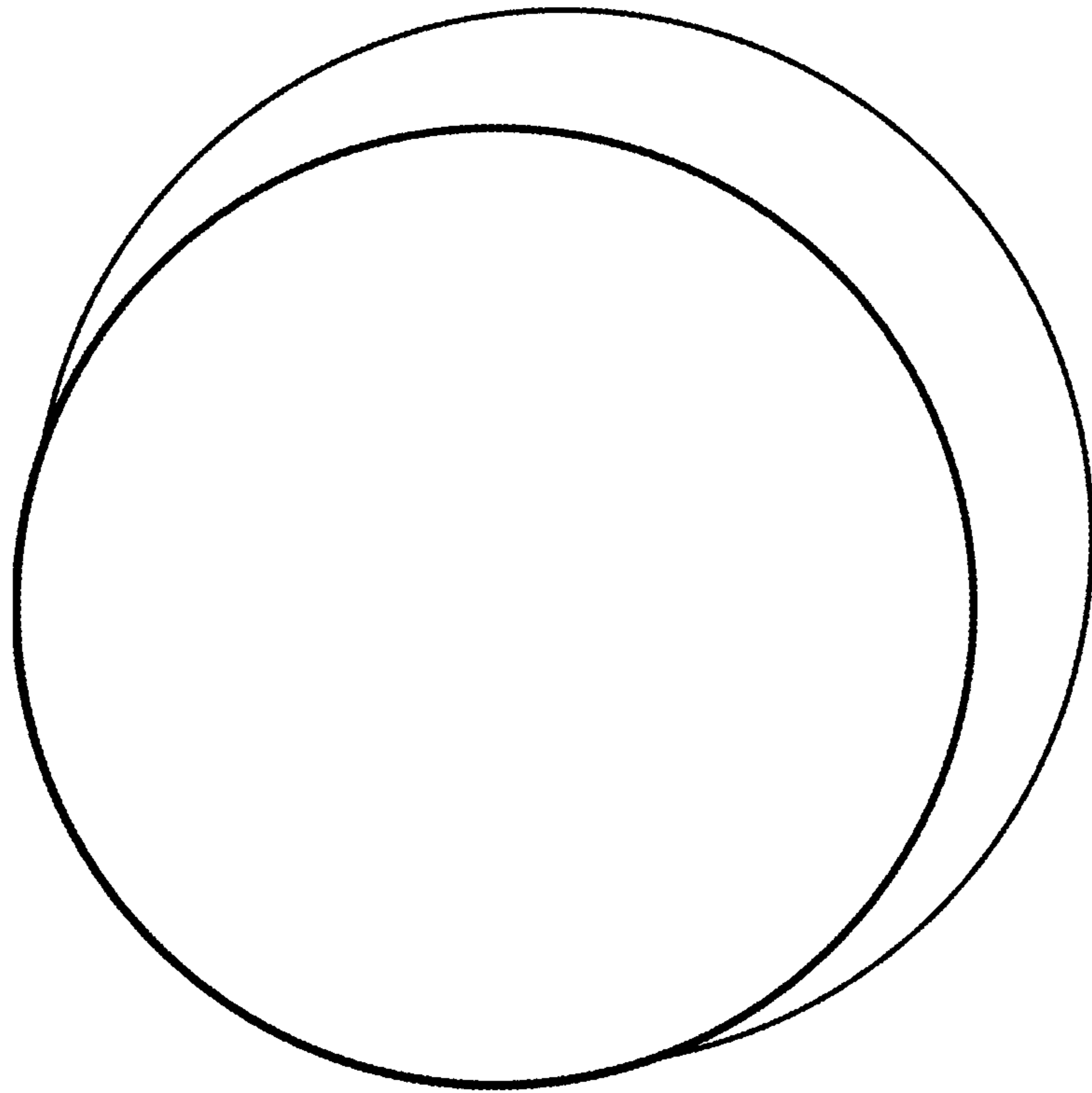


Fig. 10

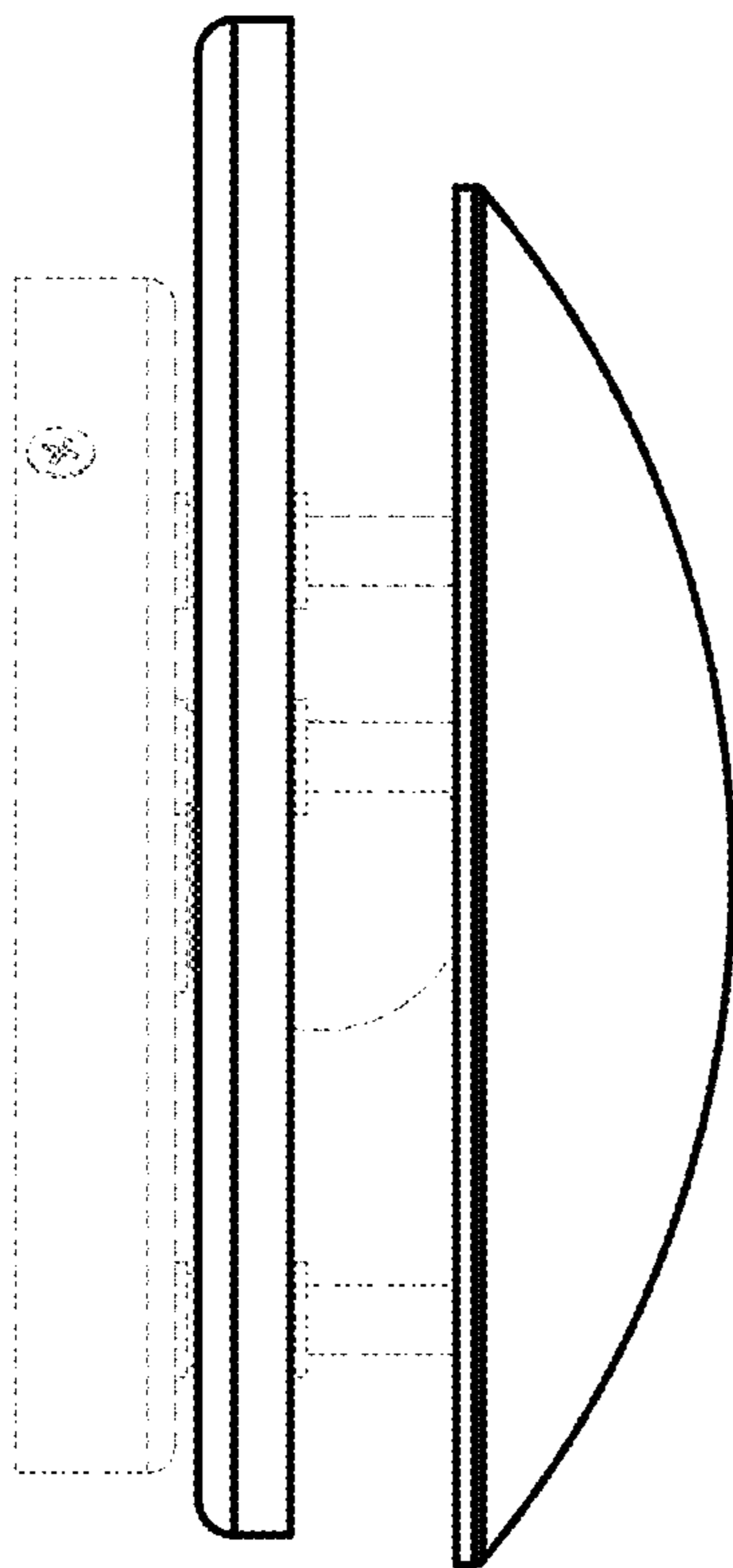


Fig. 11

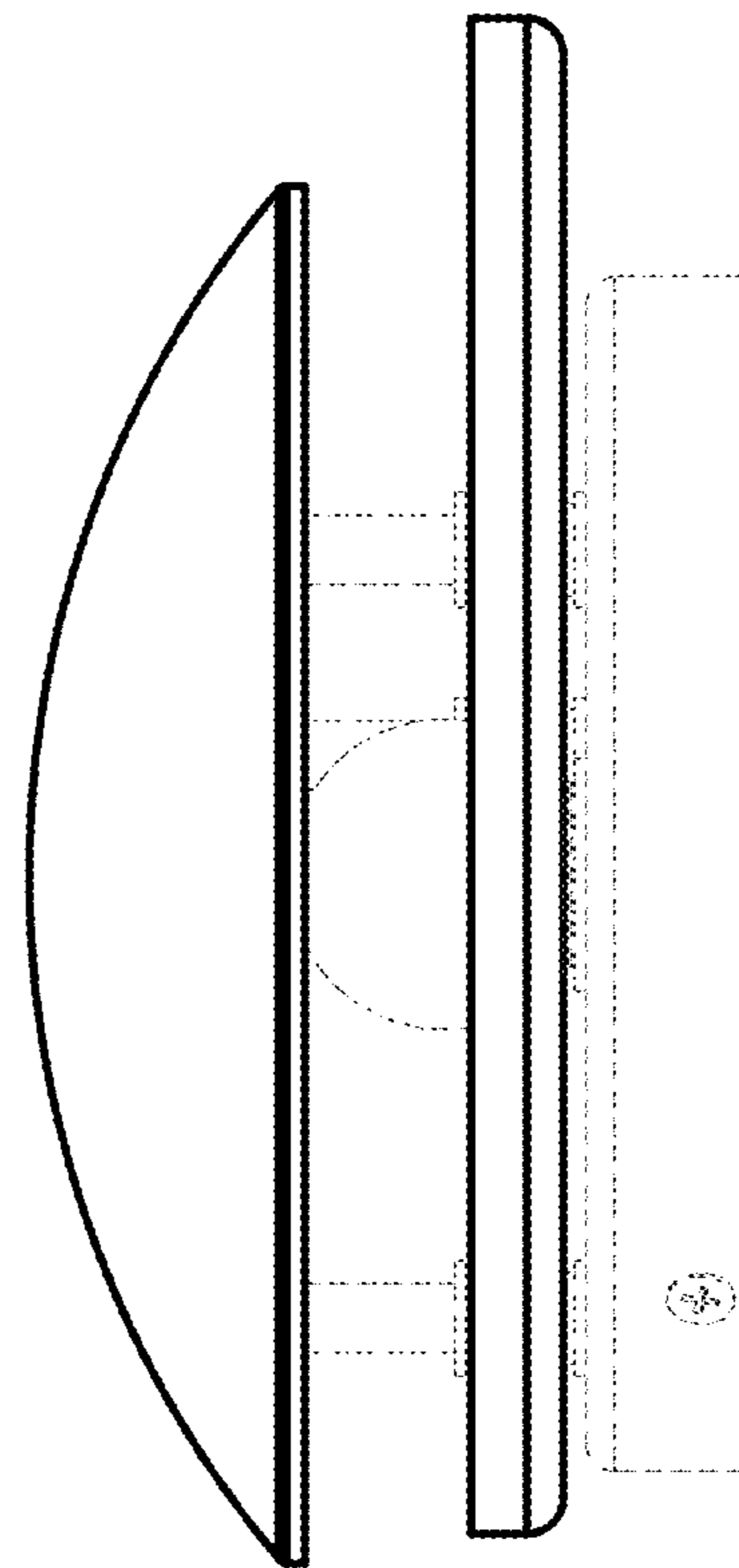


Fig. 12

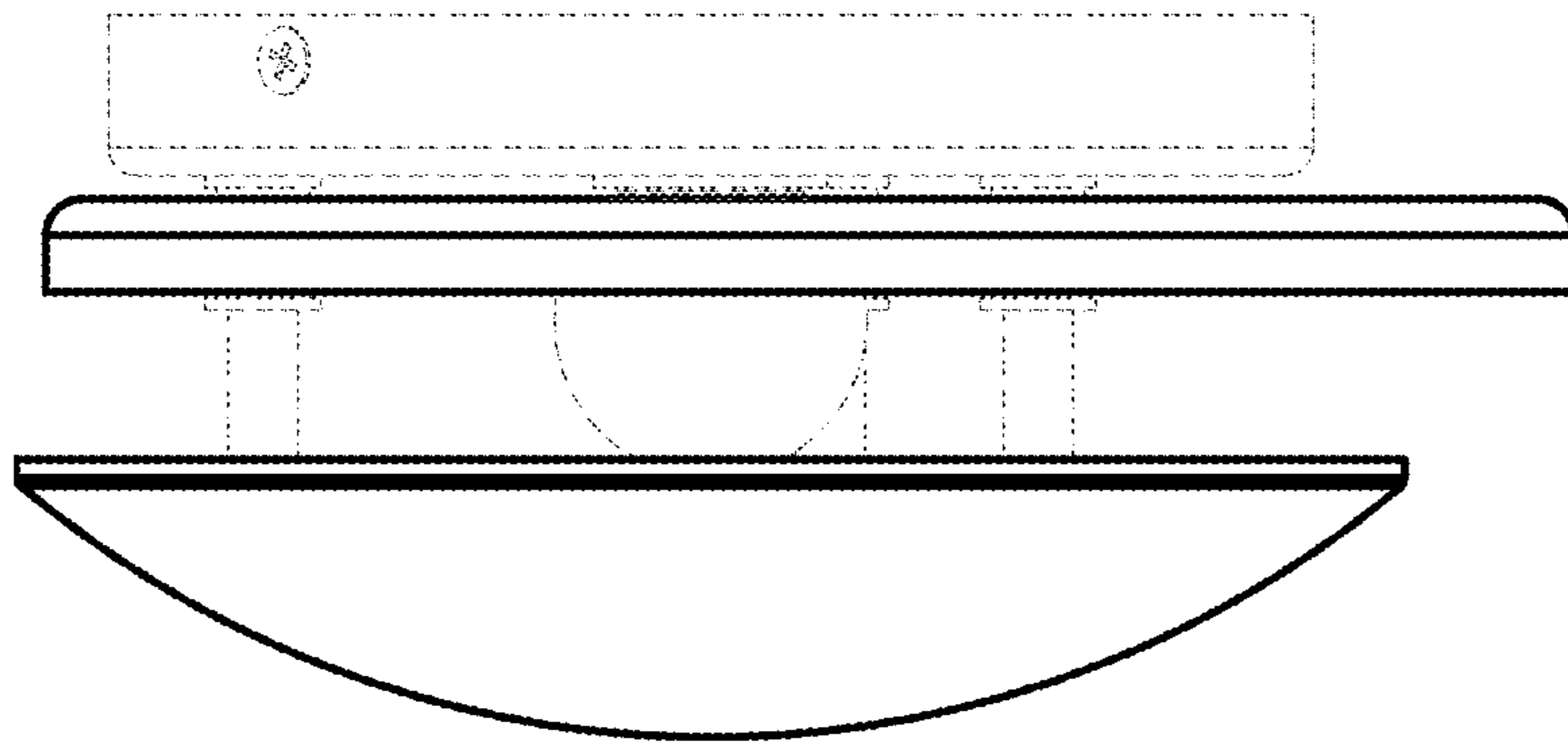


Fig. 13

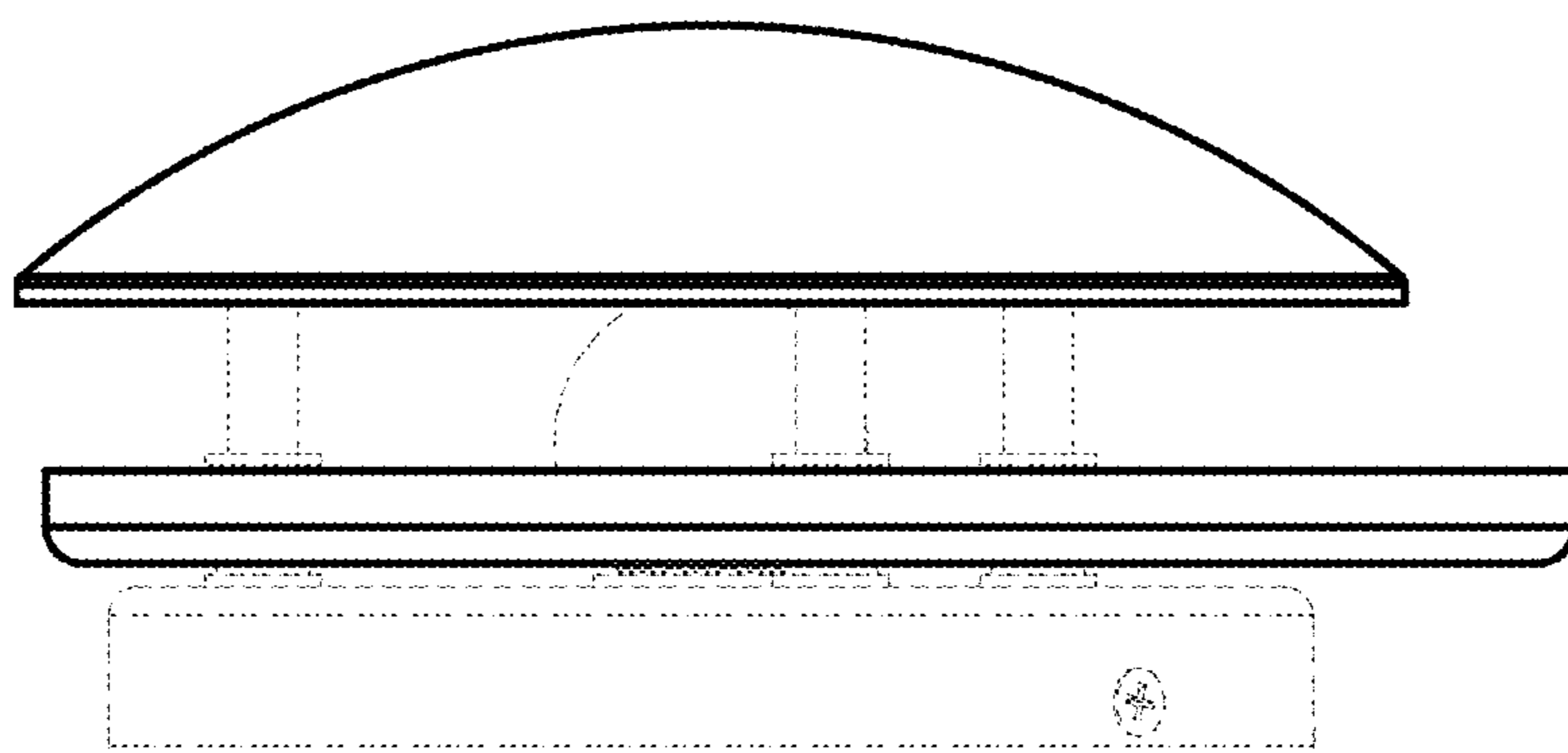


Fig. 14

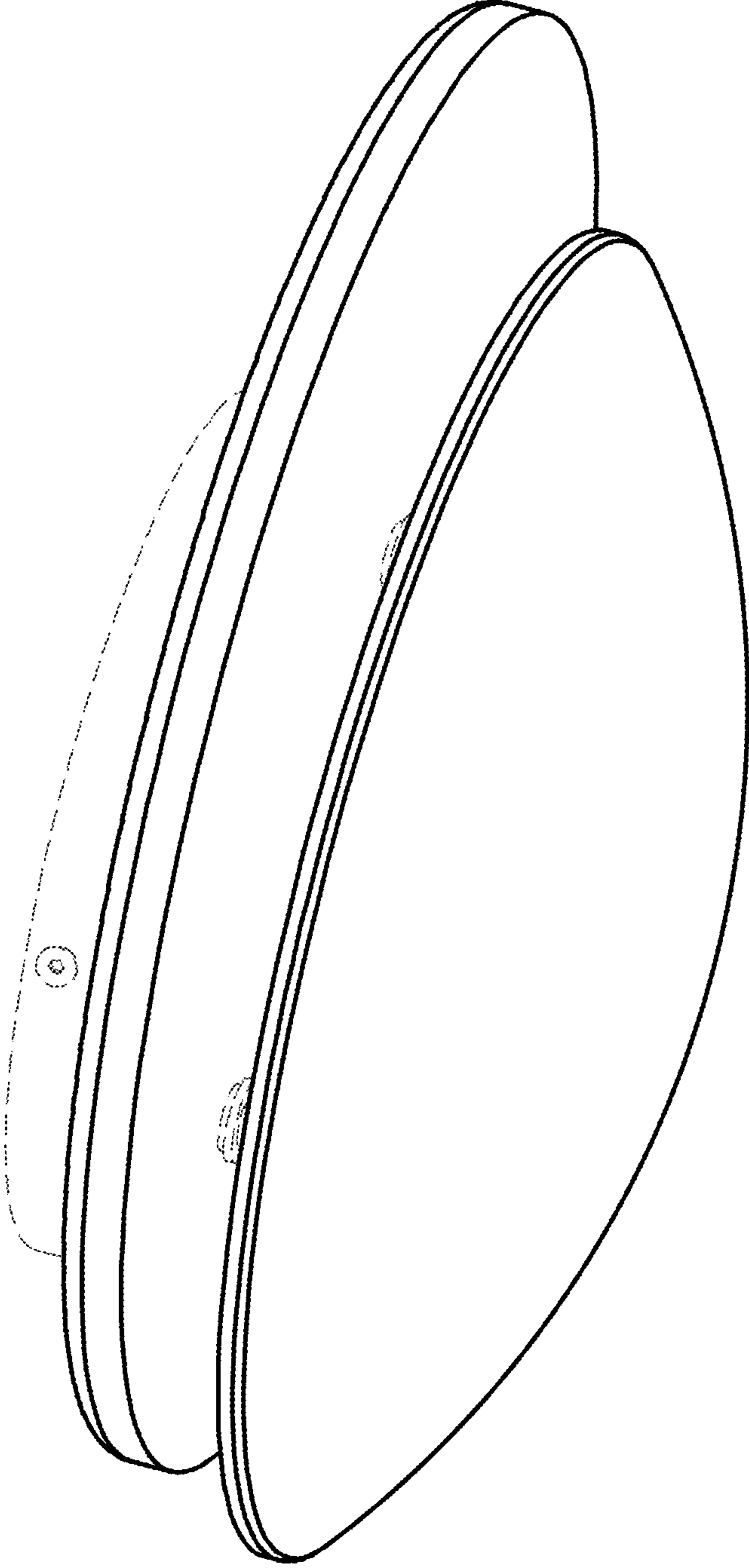


Fig. 15

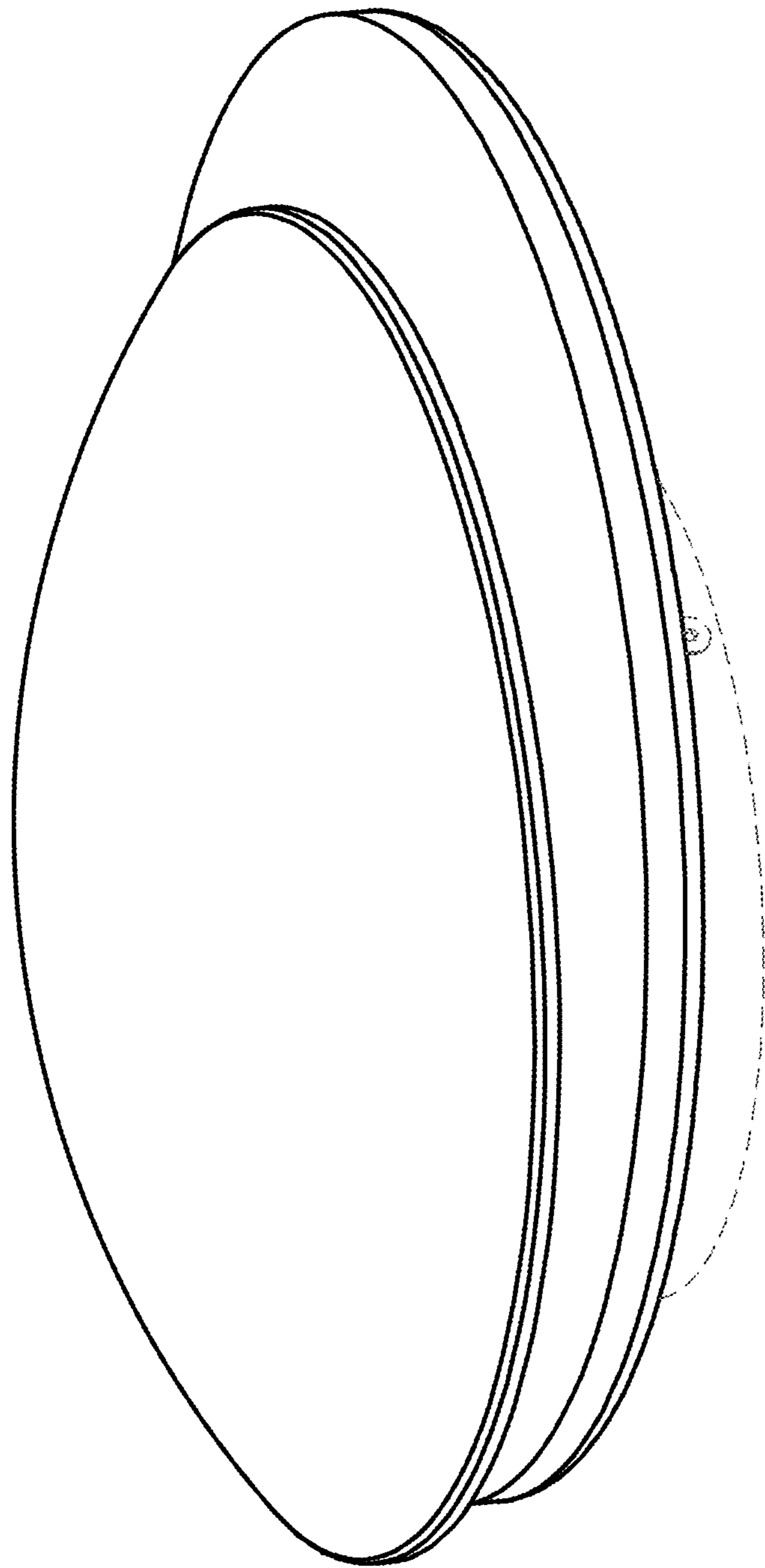


Fig. 16

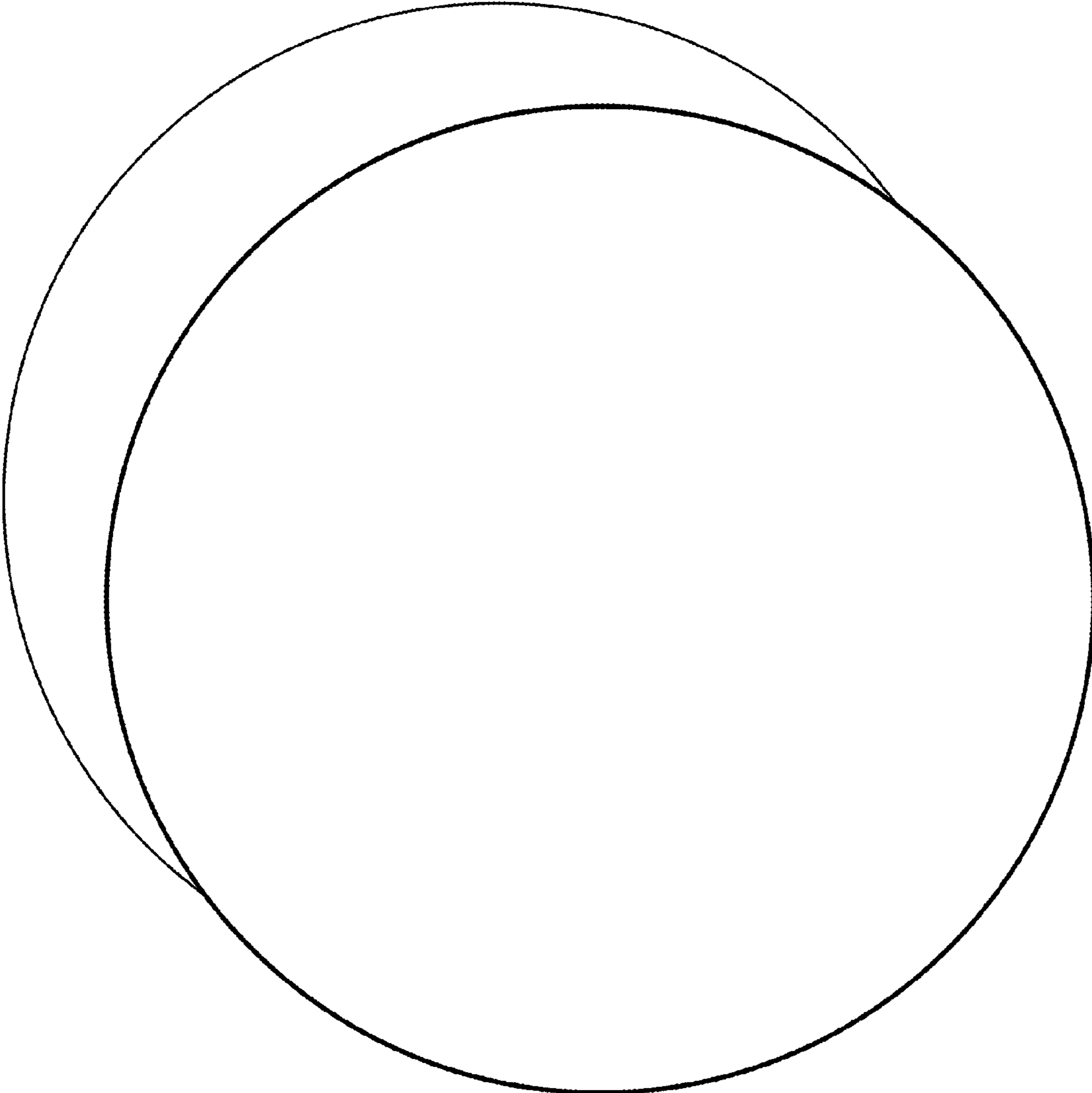


Fig. 17

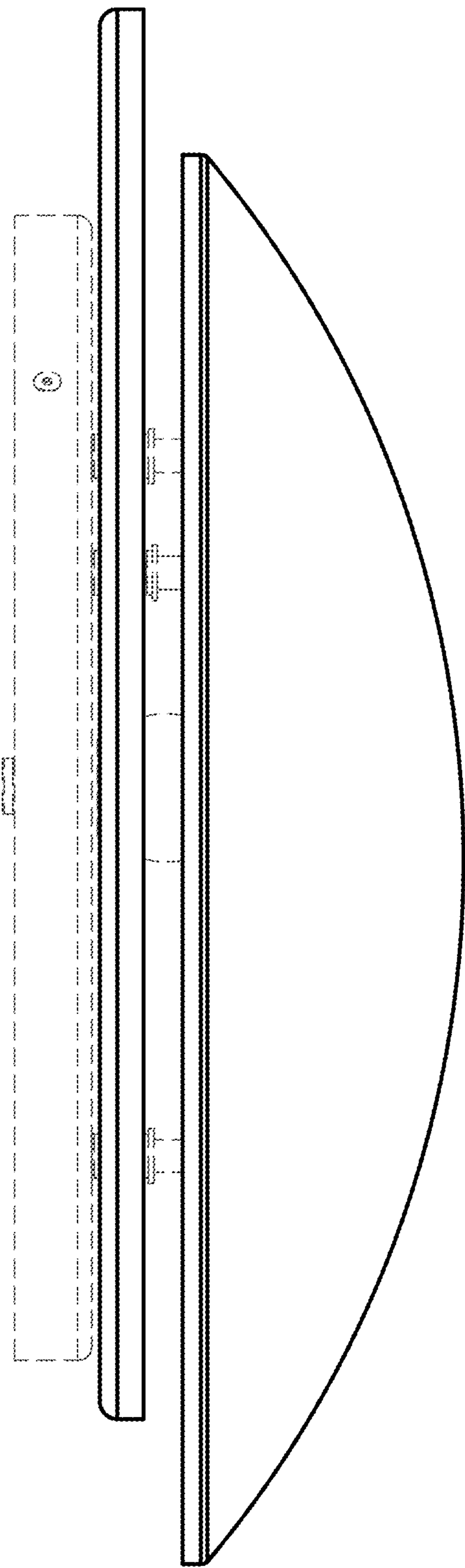


Fig. 18

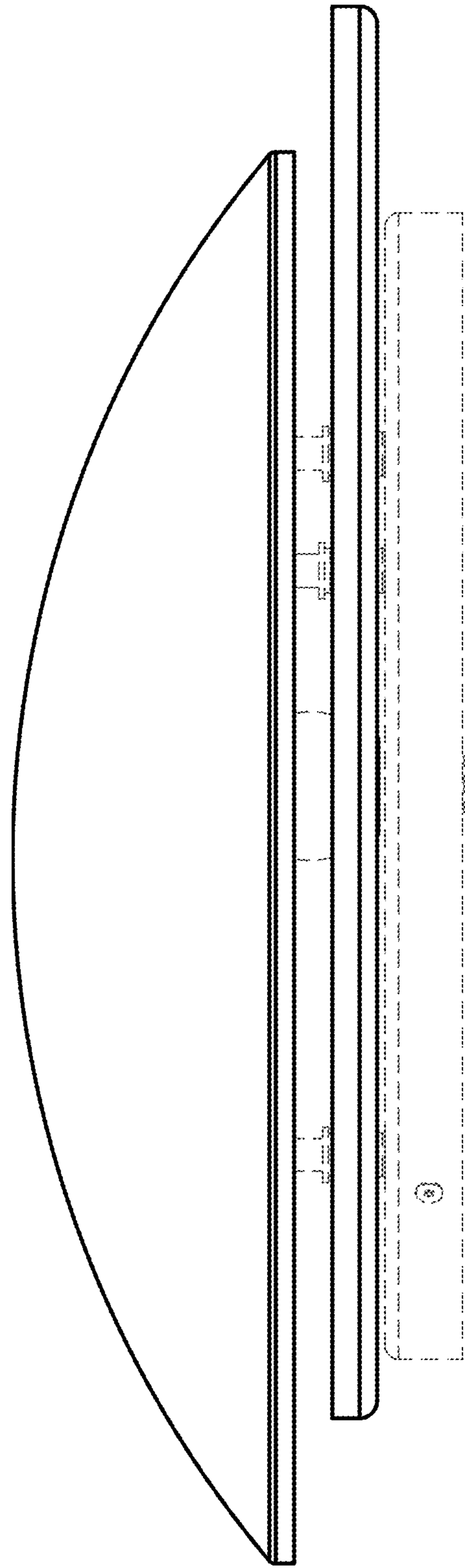


Fig. 19

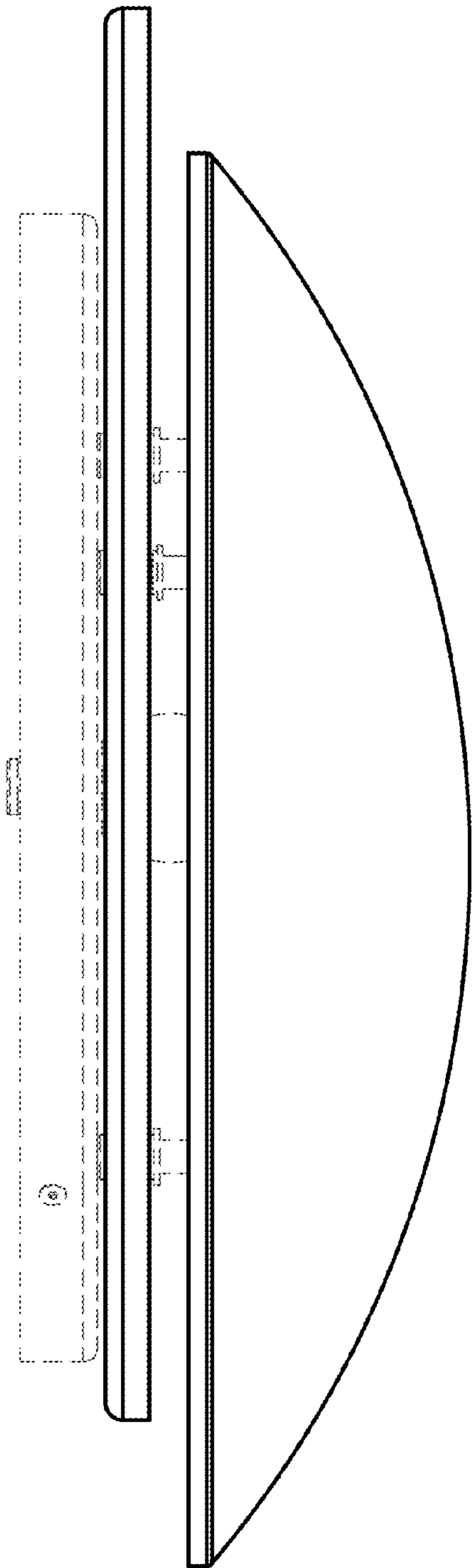


Fig. 20

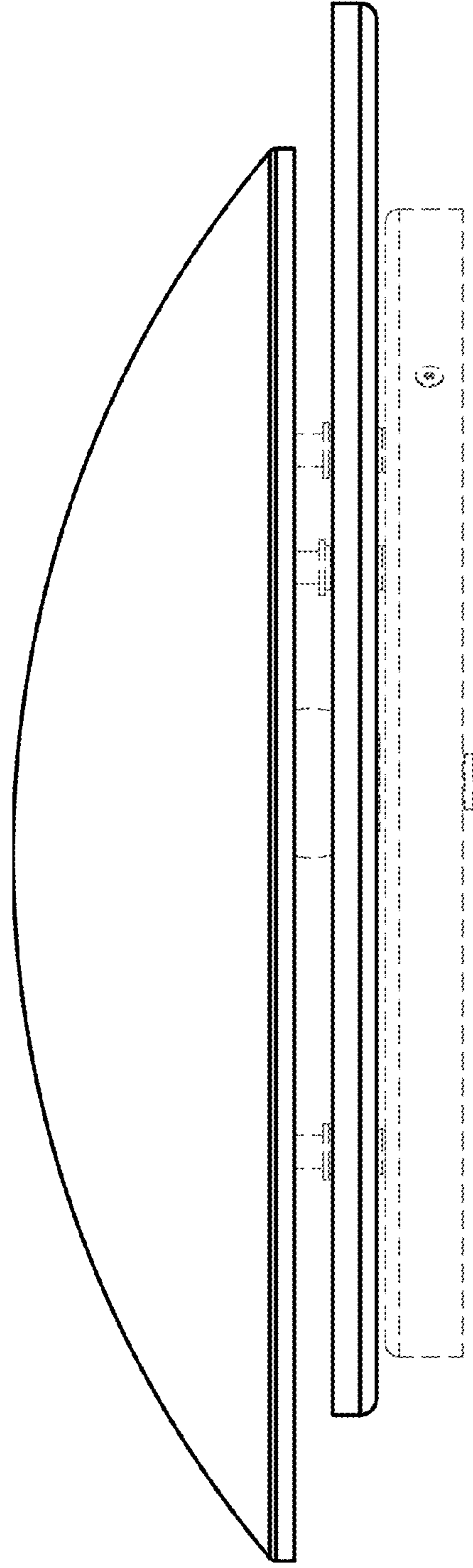


Fig. 21

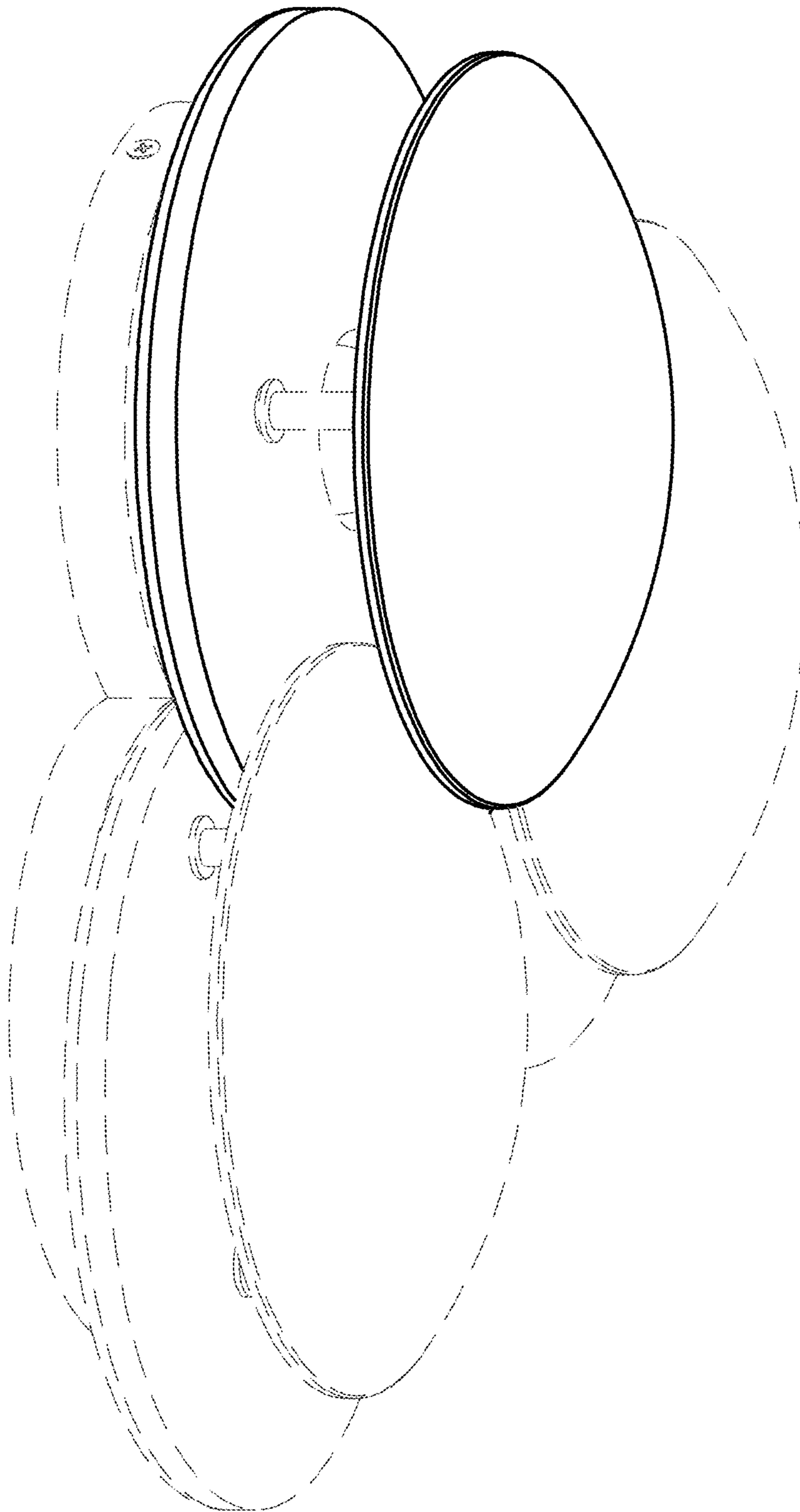


Fig. 22



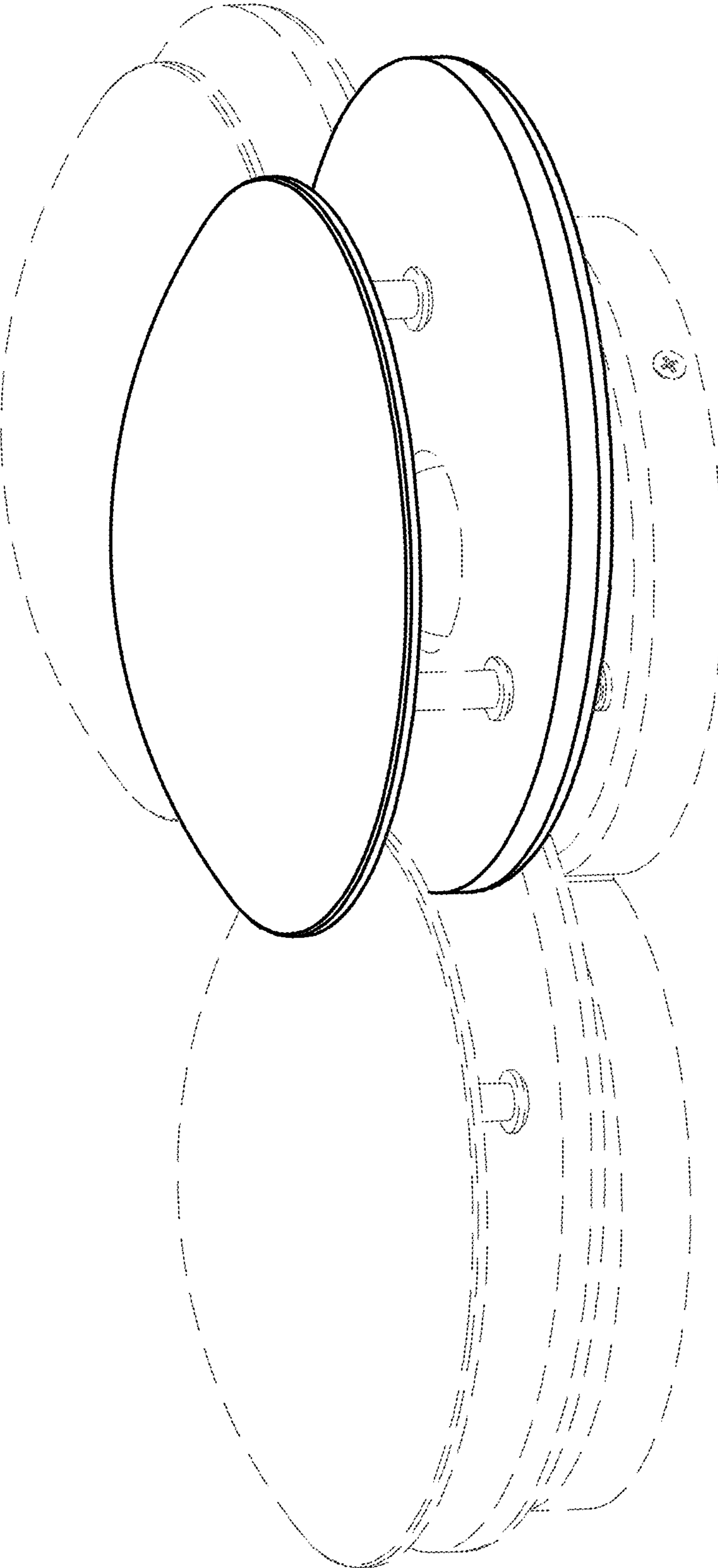


Fig. 23

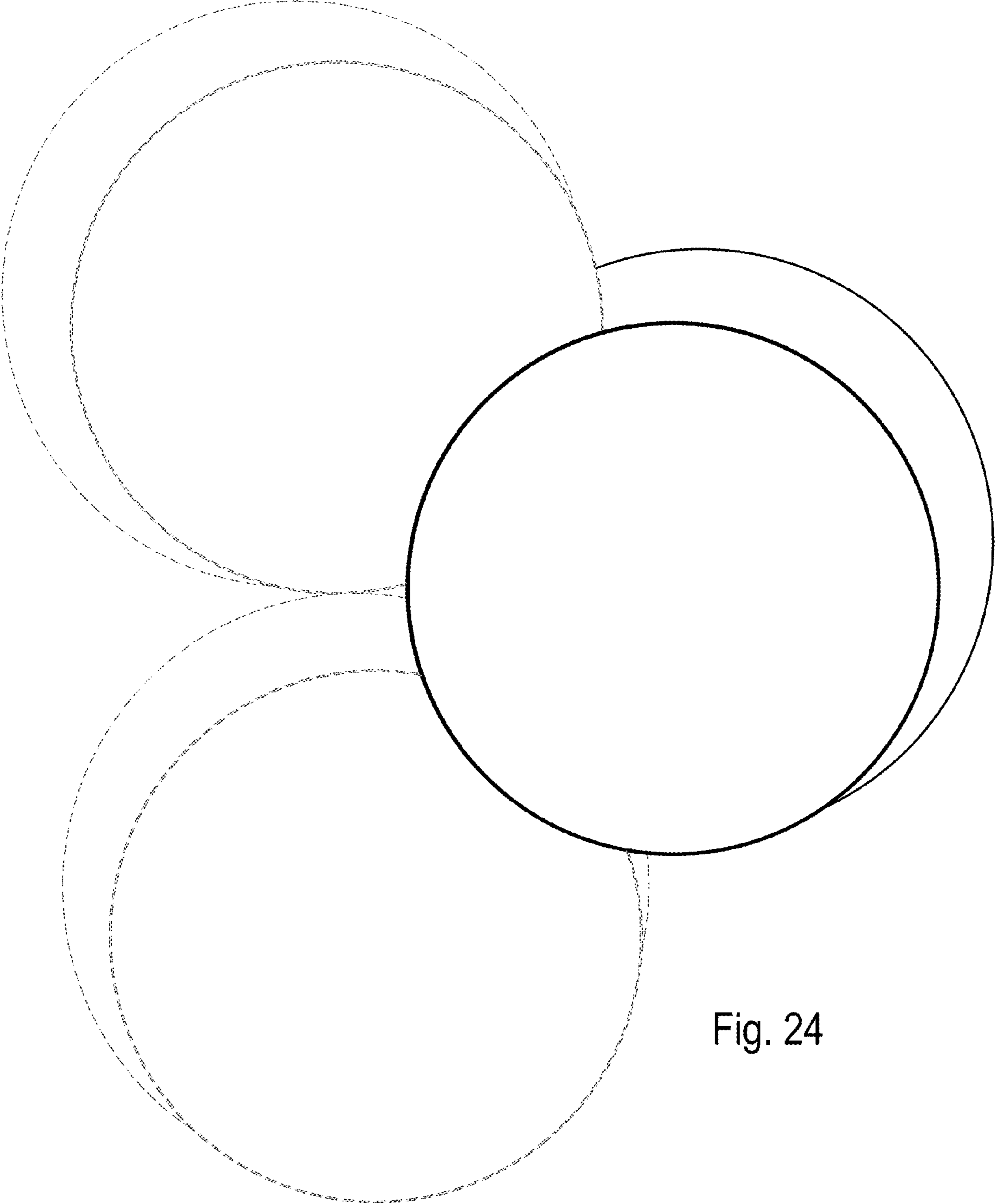


Fig. 24

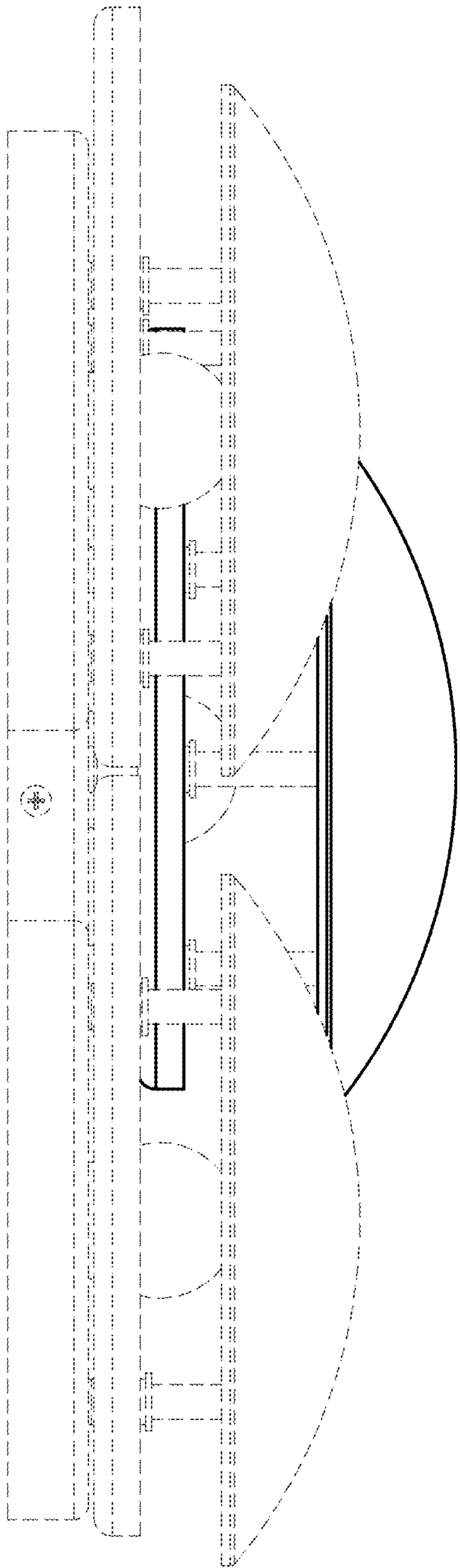


Fig. 25

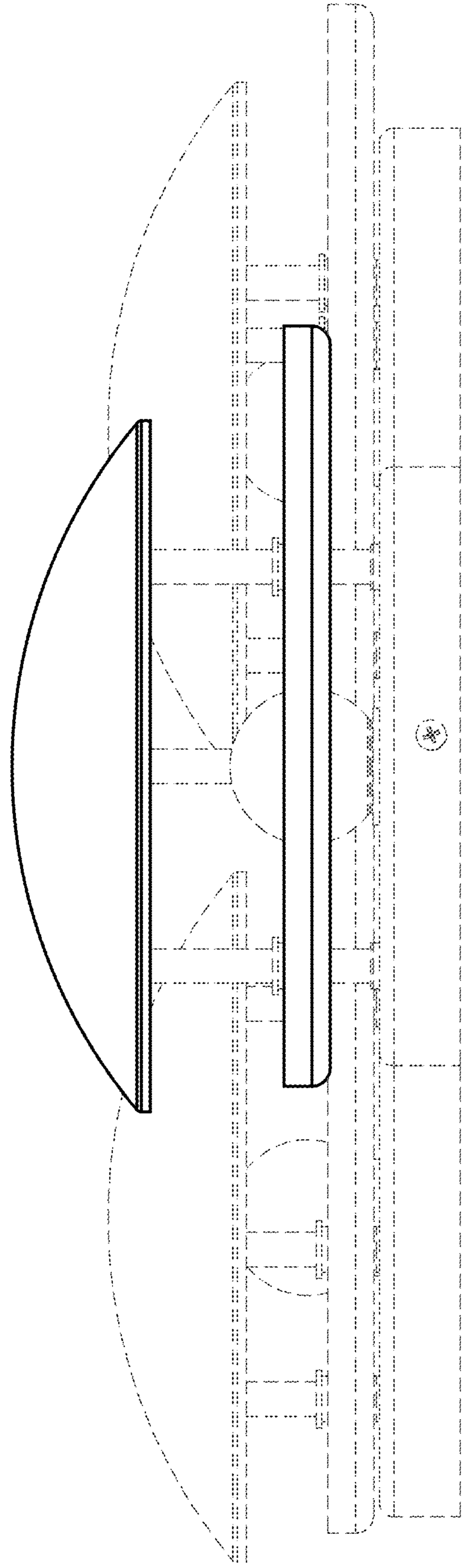


Fig. 26

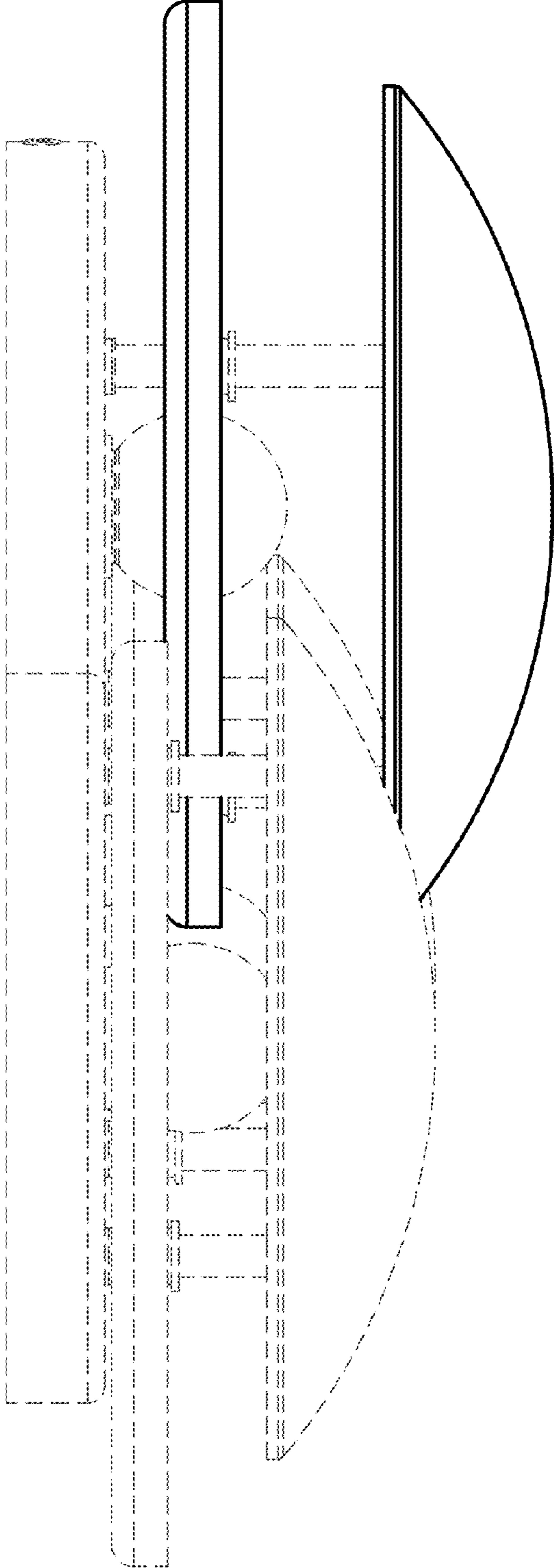


Fig. 27

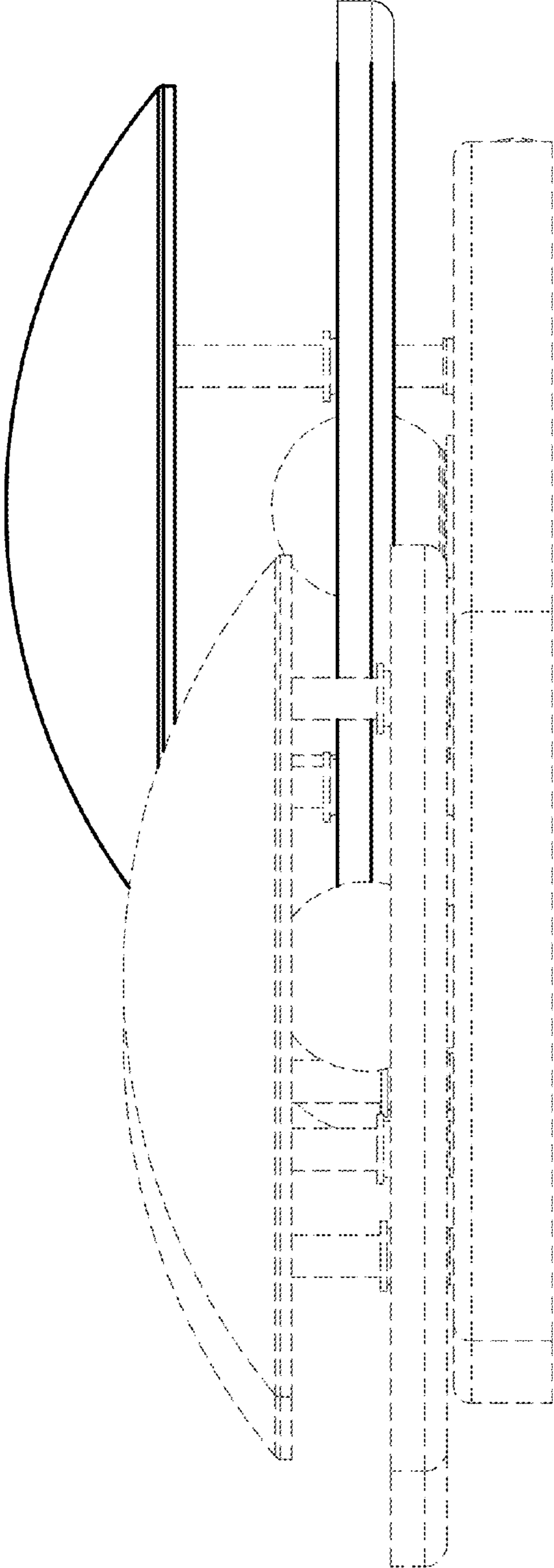


Fig. 28