



US00D875296S

(12) **United States Design Patent** (10) **Patent No.:** **US D875,296 S**
Wen (45) **Date of Patent:** **** Feb. 11, 2020**

(54) **BEDSIDE LAMP**
(71) Applicant: **Shenzhen Jingcheng Shiji Electronics Co., Ltd.**, Shenzhen, Guangdong (CN)
(72) Inventor: **Wanqing Wen**, Guangdong (CN)
(73) Assignee: **Shenzhen Jingcheng Shiji Electronics Co., Ltd.**, Shenzhen (CN)

D546,495 S * 7/2007 Barbeau D26/104
D563,594 S * 3/2008 Held D26/110
D629,150 S * 12/2010 Doulobakas D26/93
D647,243 S * 10/2011 Kong D26/93
D814,098 S * 3/2018 Pina D26/106

* cited by examiner

Primary Examiner — Brian N. Vinson

(**) Term: **15 Years**

(57) **CLAIM**

(21) Appl. No.: **29/634,202**

The ornamental design for a bedside lamp, as shown and described.

(22) Filed: **Jan. 19, 2018**

(51) **LOC (12) Cl.** **26-03**

(52) **U.S. Cl.**
USPC **D26/110**

DESCRIPTION

(58) **Field of Classification Search**
USPC D26/24, 93, 95, 104, 106, 110, 112, 105
CPC F21S 6/00; F21S 6/002; F21S 6/004; F21S 6/008; F21S 8/08; F21V 21/00; F21V 21/02; F21W 2131/30
See application file for complete search history.

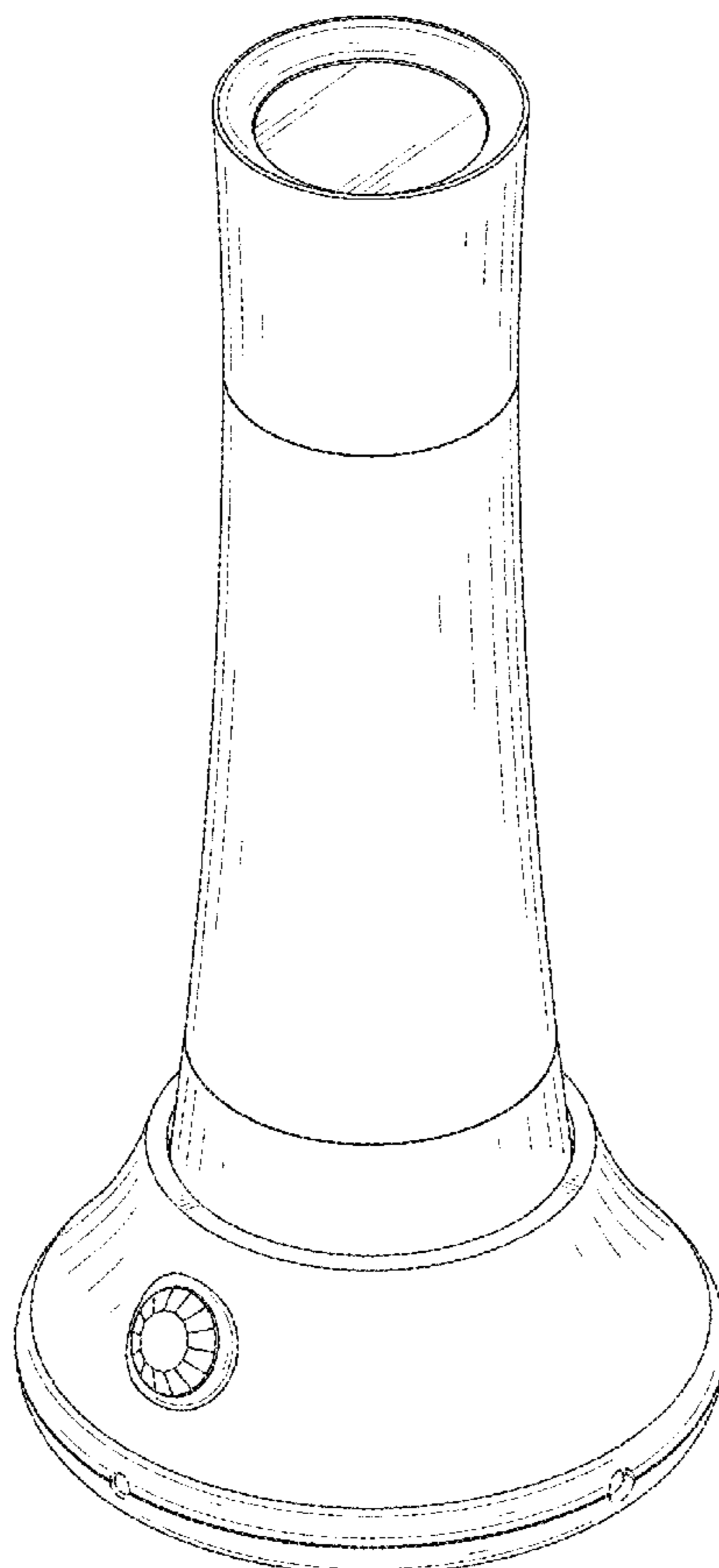
FIG. 1 is a perspective view of a bedside lamp showing my new design;
FIG. 2 is a front elevational view thereof;
FIG. 3 is a rear elevational view thereof;
FIG. 4 is a left side view thereof;
FIG. 5 is a right side view thereof;
FIG. 6 is a top plan view thereof; and,
FIG. 7 is a bottom plan view thereof.
The broken lines in the drawings illustrate portions of the bedside lamp which form no part of the claimed design. The diagonal lines in the drawings indicate transparency.

(56) **References Cited**

U.S. PATENT DOCUMENTS

D485,004 S * 1/2004 Olson D26/104
D529,220 S * 9/2006 Izardel D26/110

1 Claim, 7 Drawing Sheets



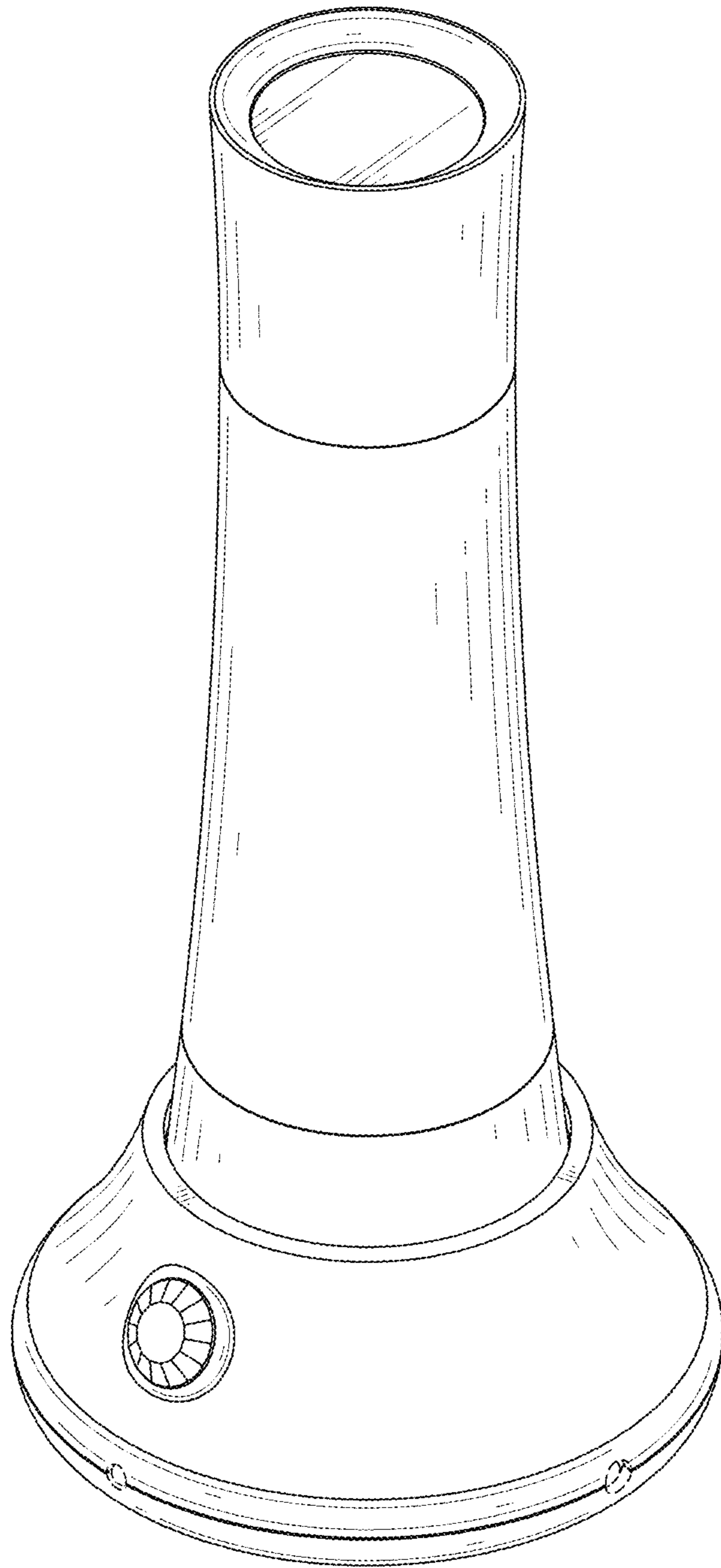


FIG. 1

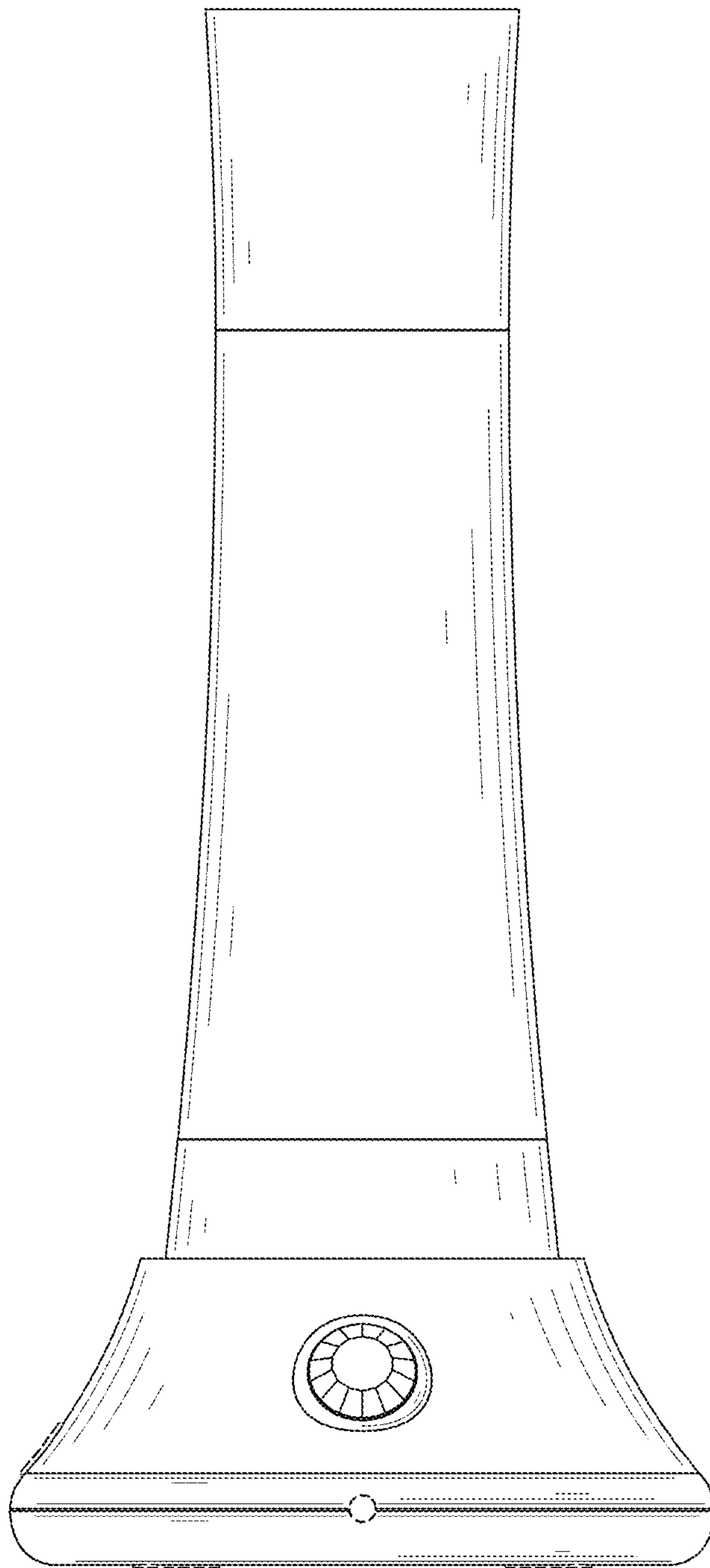


FIG. 2

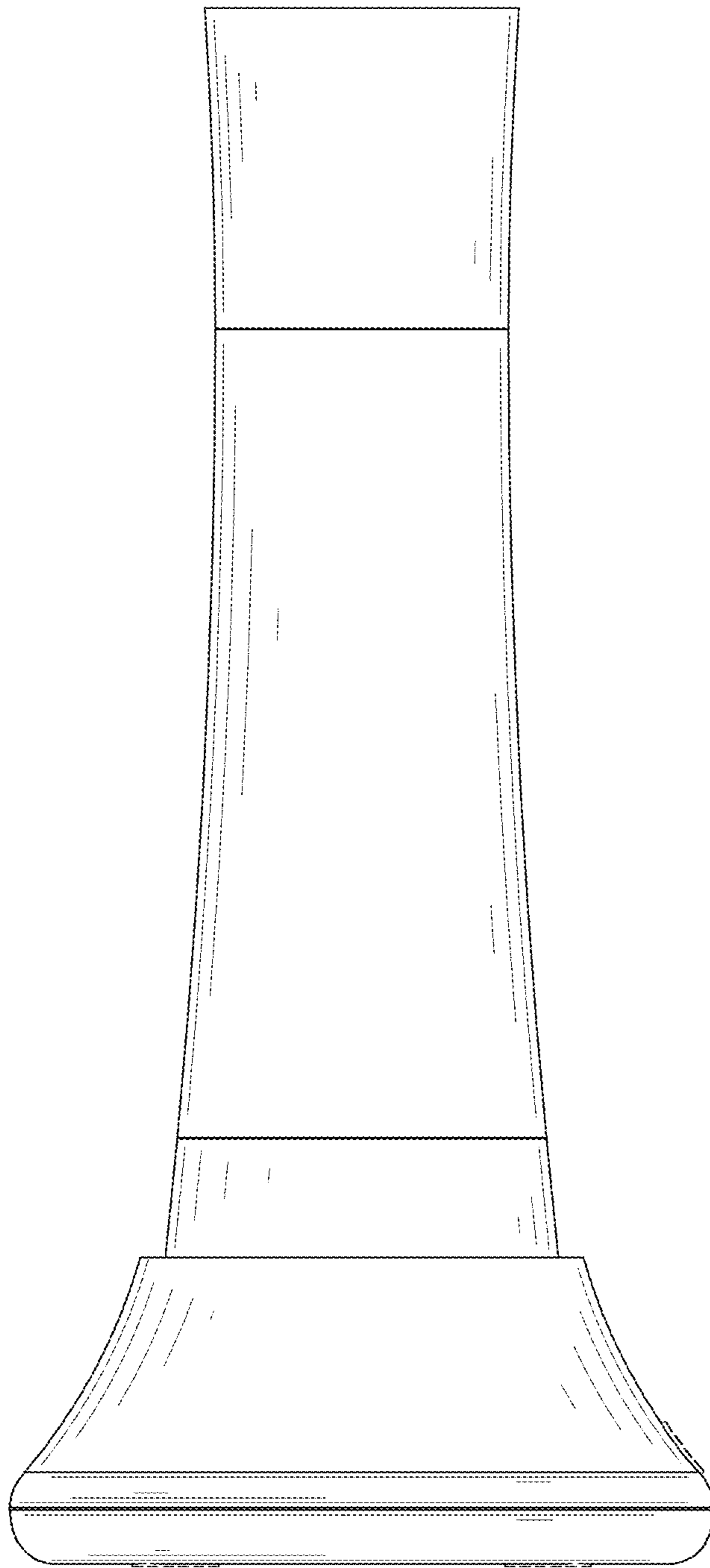


FIG. 3

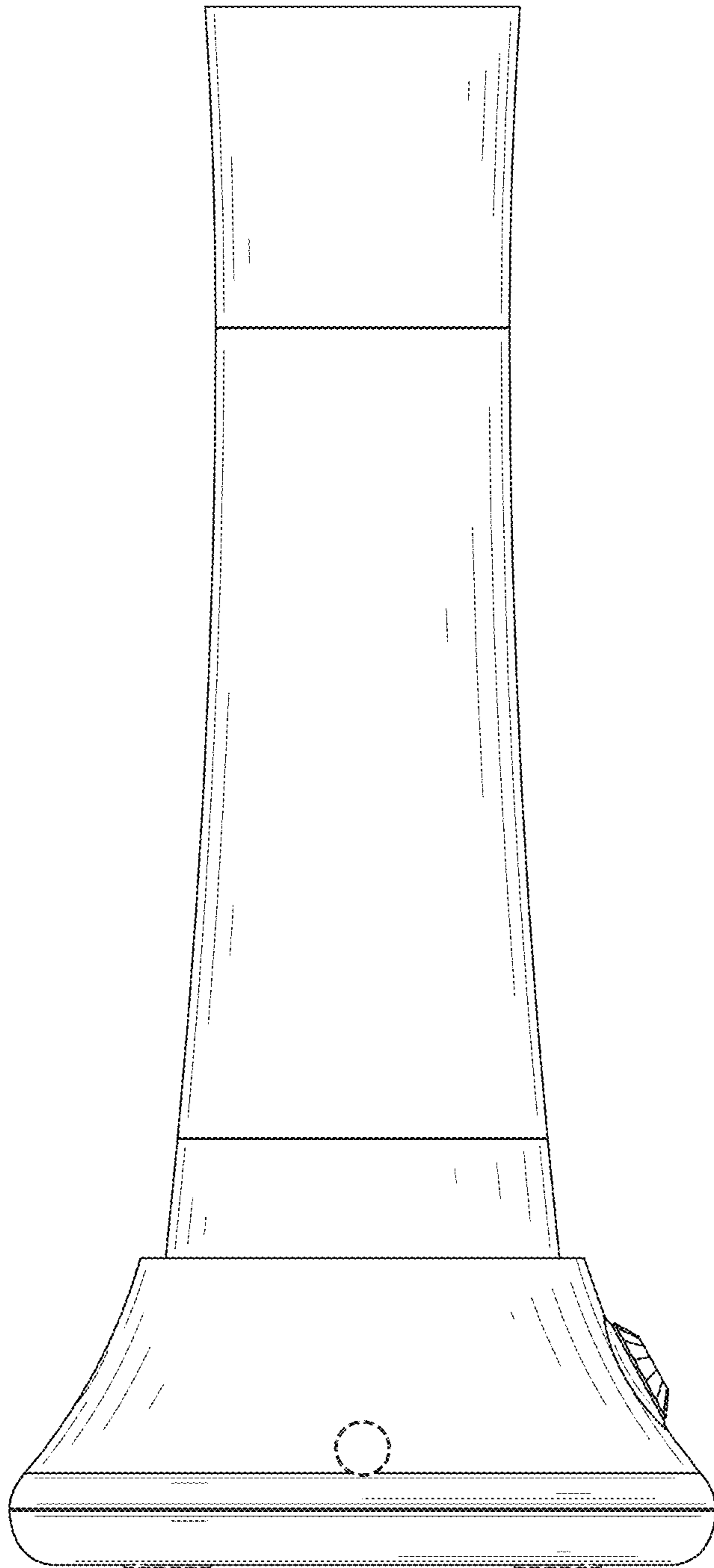


FIG. 4

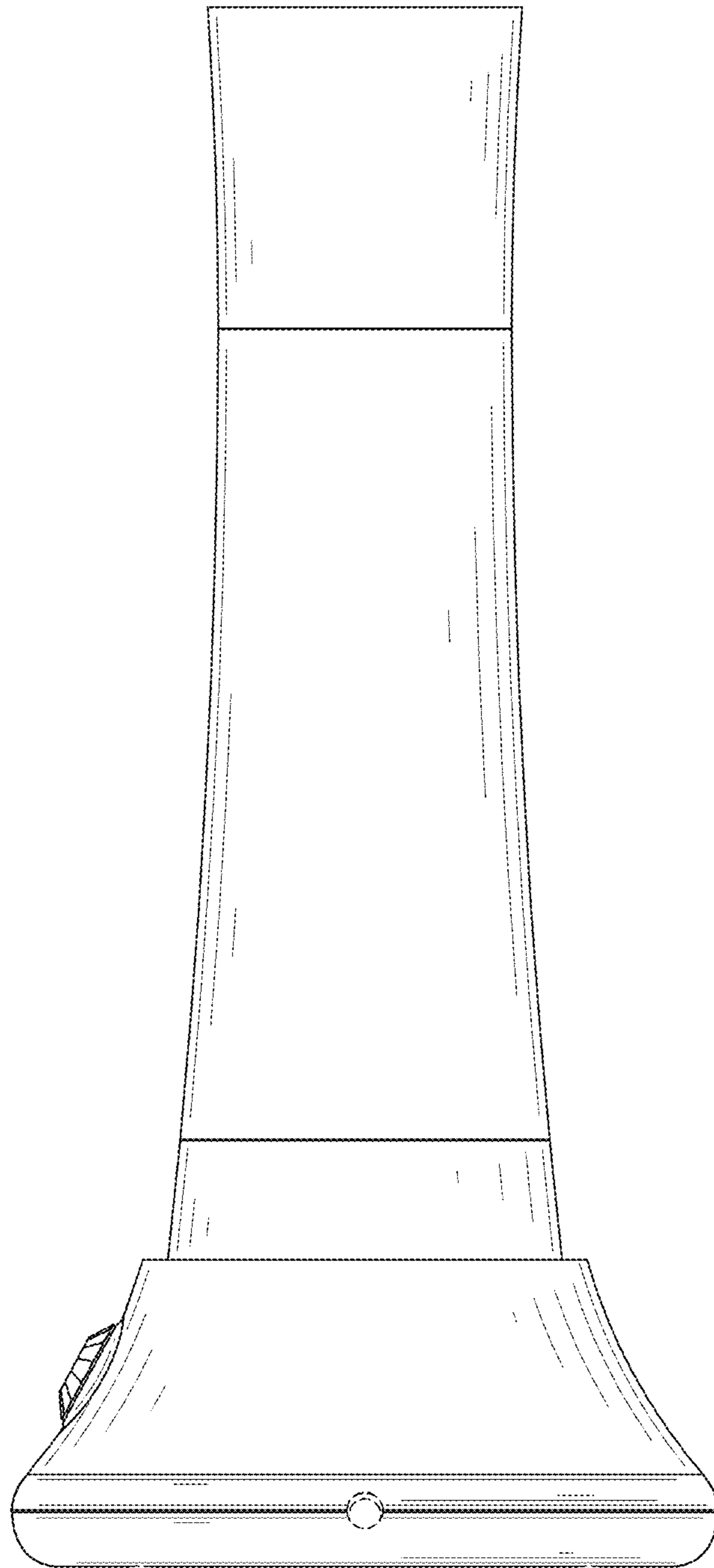


FIG. 5

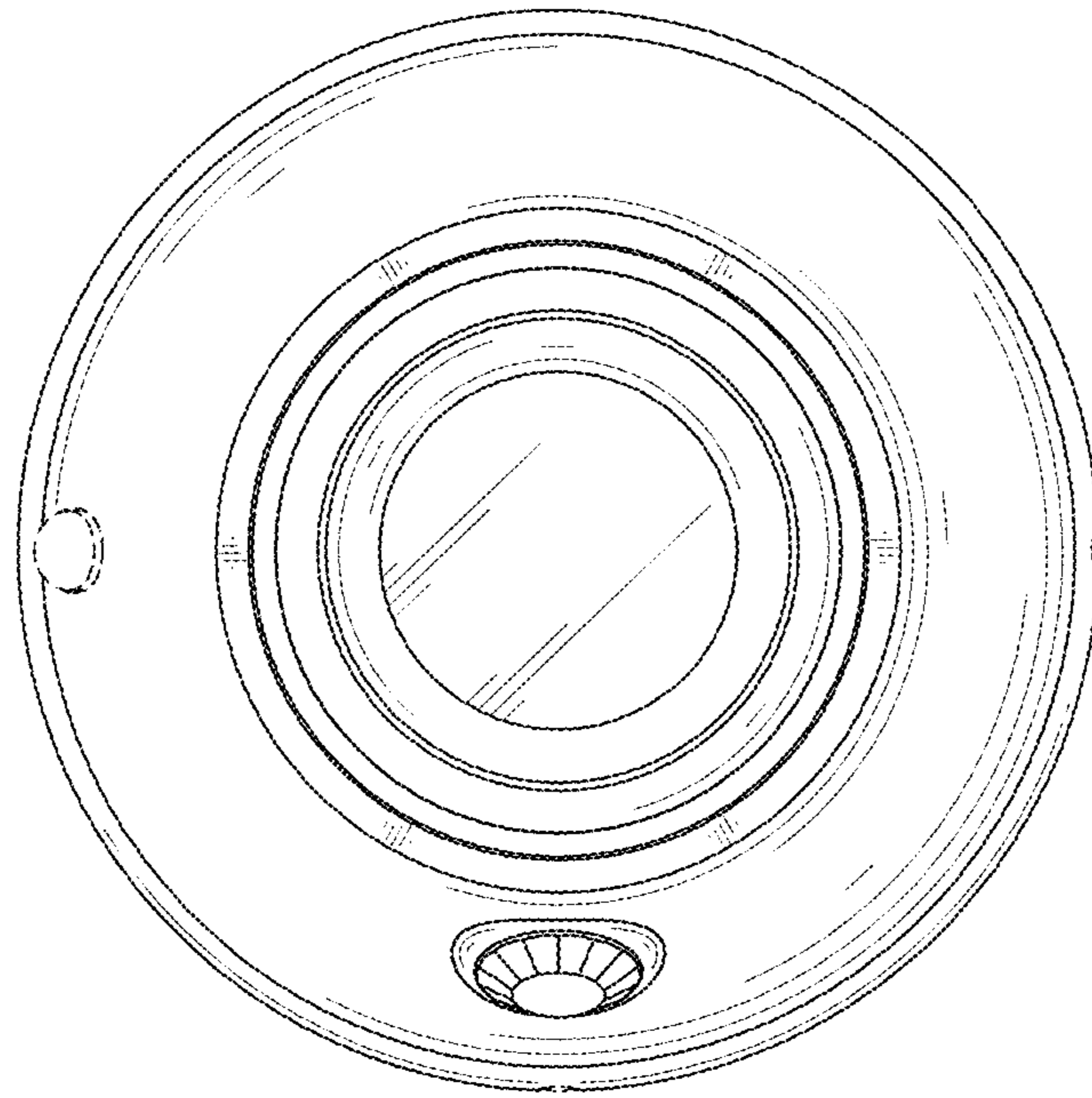


FIG. 6

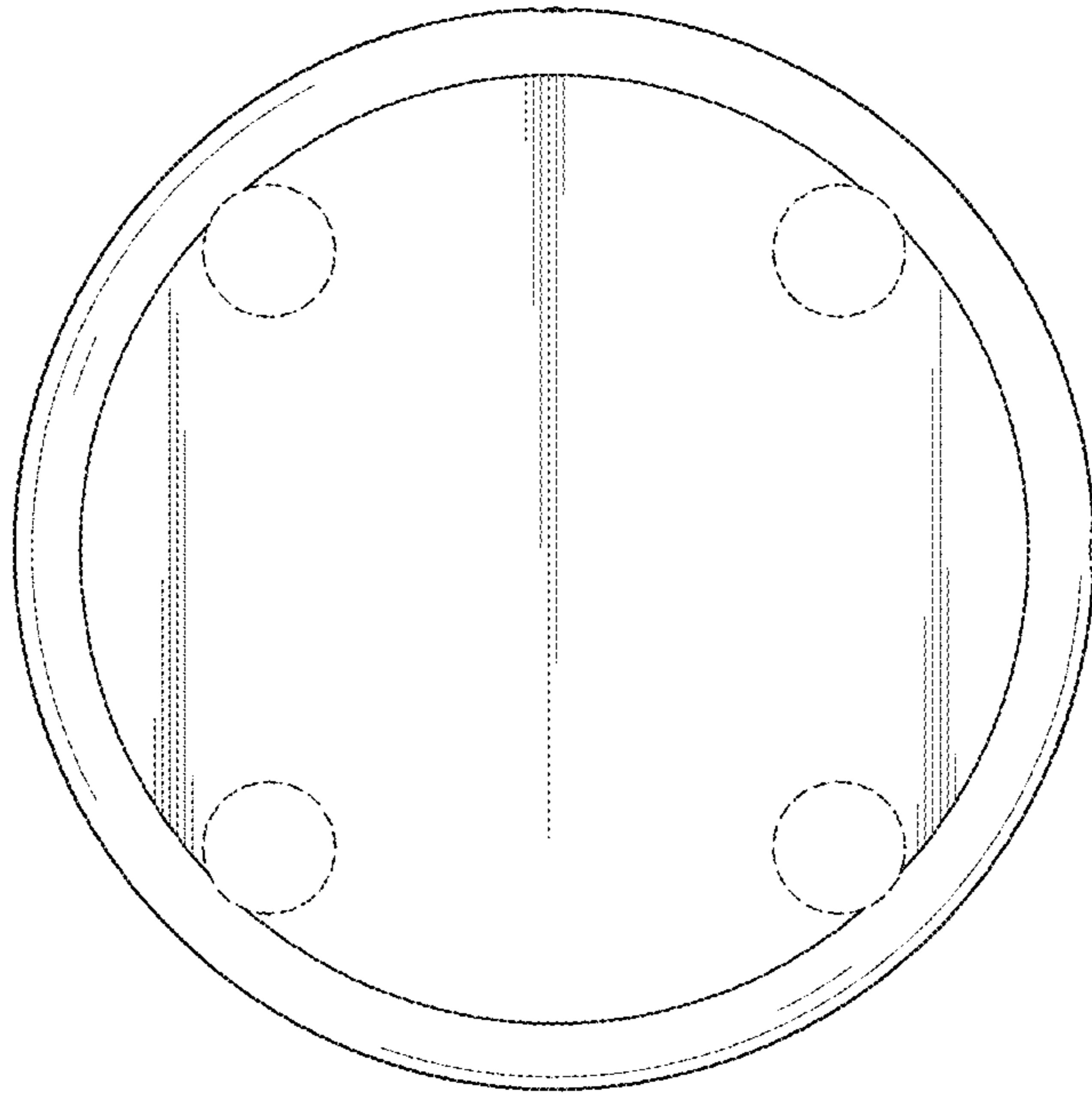


FIG. 7