



US00D875294S

(12) **United States Design Patent** (10) **Patent No.:** **US D875,294 S**  
**Fang** (45) **Date of Patent:** **\*\* Feb. 11, 2020**

(54) **LAMP**  
 (71) Applicant: **Shusheng Fang**, Xiaogan (CN)  
 (72) Inventor: **Shusheng Fang**, Xiaogan (CN)  
 (73) Assignee: **Shenzhen Znder Goods Sceience & Technology Co., Ltd.**, Shenzhen (CN)  
 (\*\*) Term: **15 Years**

D151,432 S \* 10/1948 Crowder ..... D21/436  
 2,638,583 A \* 5/1953 Edwards, Jr. .... F21L 15/06  
 340/321  
 D252,169 S \* 6/1979 Lacko, Sr. .... D26/97  
 D349,134 S \* 7/1994 Peersmann ..... D10/6  
 D397,488 S \* 8/1998 Ball ..... D11/163  
 D430,950 S \* 9/2000 Lee ..... D26/104  
 D433,769 S \* 11/2000 Liu ..... D26/104  
 D504,739 S \* 5/2005 Muhlnickel ..... D26/94  
 D554,283 S \* 10/2007 Leeks ..... D26/111  
 D614,800 S \* 4/2010 Barbeau ..... D26/97

(21) Appl. No.: **29/634,034**  
 (22) Filed: **Jan. 18, 2018**  
 (51) **LOC (12) Cl.** ..... **26-03**  
 (52) **U.S. Cl.**  
 USPC ..... **D26/94**  
 (58) **Field of Classification Search**  
 USPC ..... D26/97, 24, 93, 94, 63, 104, 106, 110,  
 D26/111; D21/447, 398, 436, 451, 483;  
 D11/131, 157, 163; D10/6  
 CPC ..... F21S 6/00; F21S 6/002; F21S 9/02; F21V  
 1/00; F21V 3/00; F21W 2131/30; F21L  
 15/06; A63L 15/04  
 See application file for complete search history.

\* cited by examiner

*Primary Examiner* — Brian N. Vinson

(56) **References Cited**  
 U.S. PATENT DOCUMENTS  
 1,802,201 A \* 4/1931 Deck, Sr. .... A63H 5/04  
 446/400  
 2,183,152 A \* 12/1939 Grieshaber ..... A63H 5/04  
 446/400

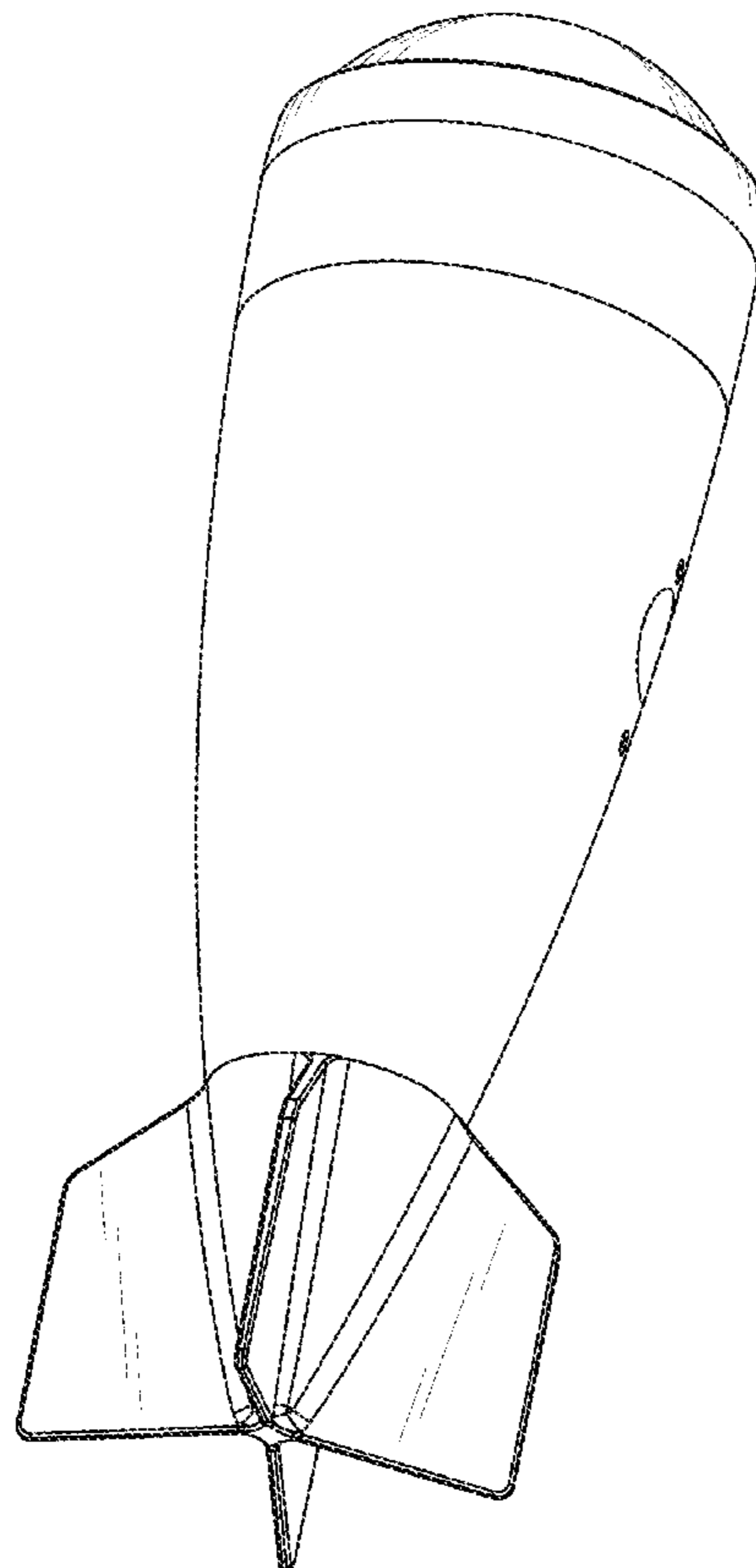
(57) **CLAIM**

The ornamental design for a lamp, as shown and described.

**DESCRIPTION**

FIG. 1 is a front elevational view of a lamp showing my new design;  
 FIG. 2 is a rear elevational view thereof;  
 FIG. 3 is a left side elevational view thereof;  
 FIG. 4 is a right side elevational view thereof;  
 FIG. 5 is a top plan view thereof;  
 FIG. 6 is a bottom plan view thereof; and,  
 FIG. 7 is a perspective view thereof.

**1 Claim, 6 Drawing Sheets**



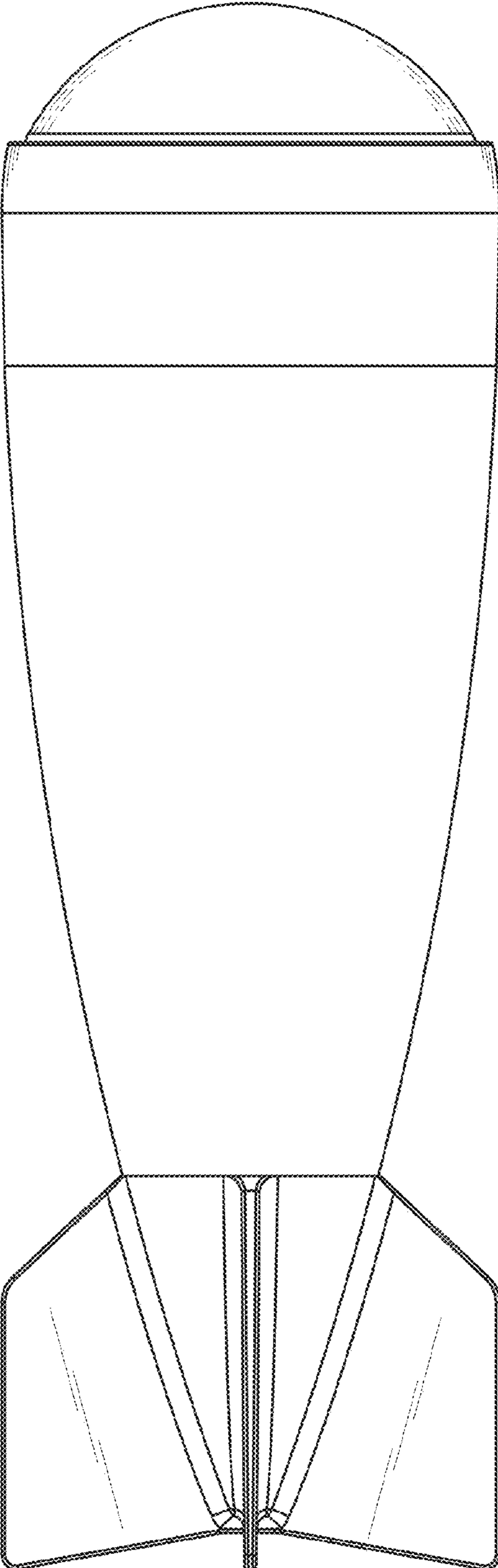


FIG.1

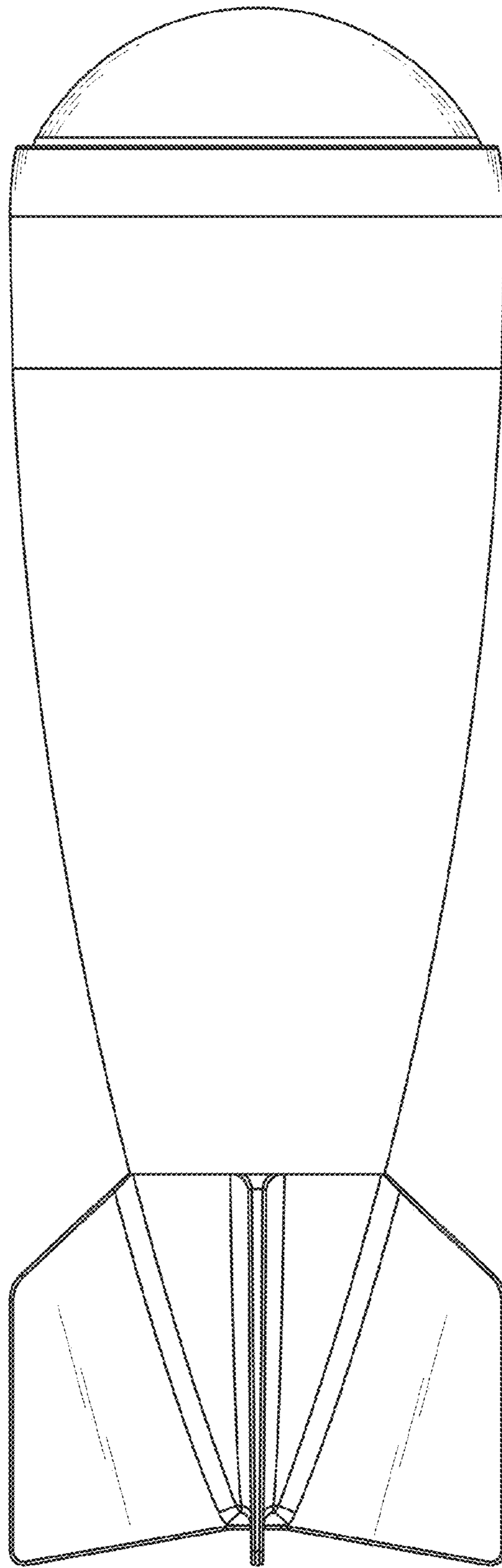


FIG.2

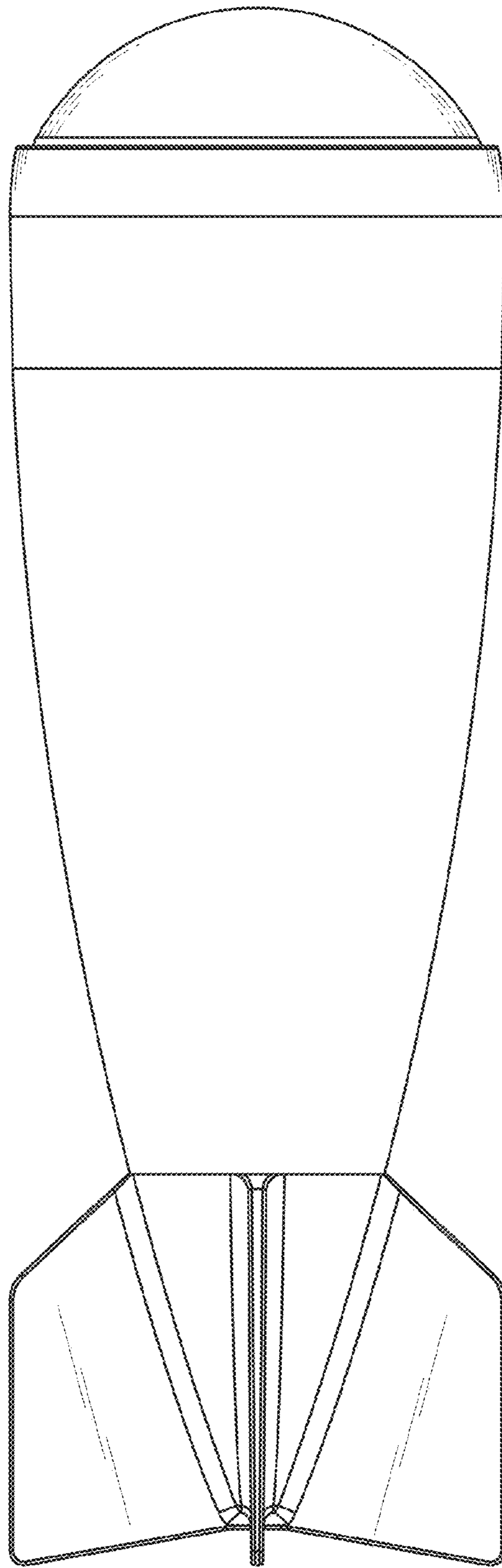


FIG.3

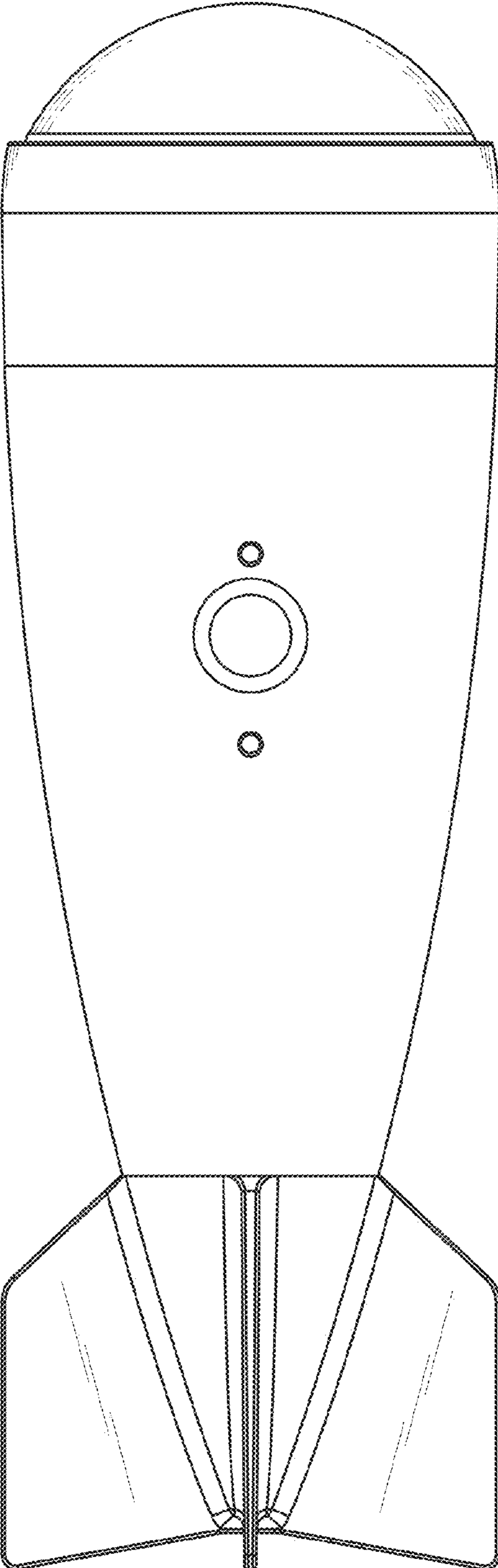


FIG.4



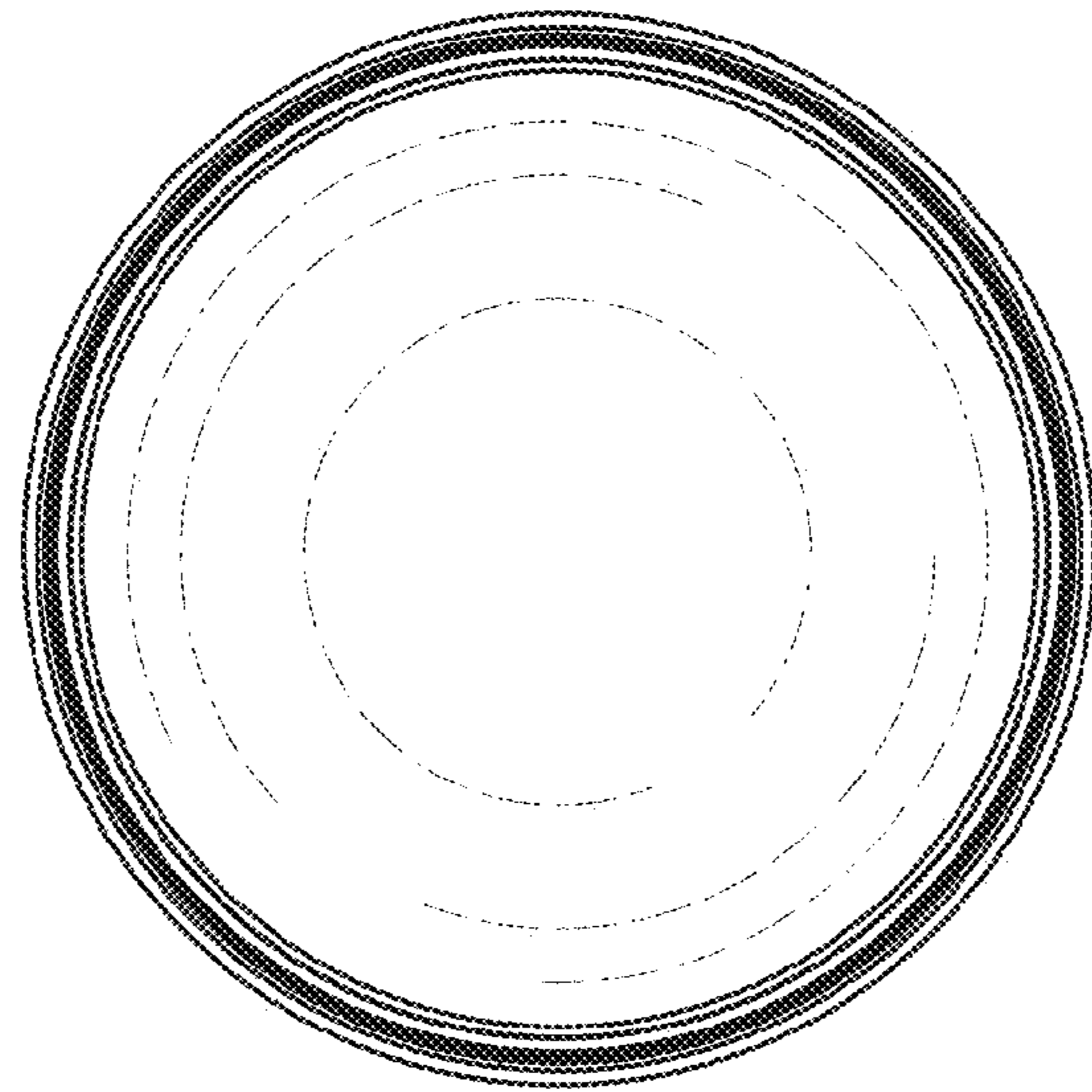


FIG. 5

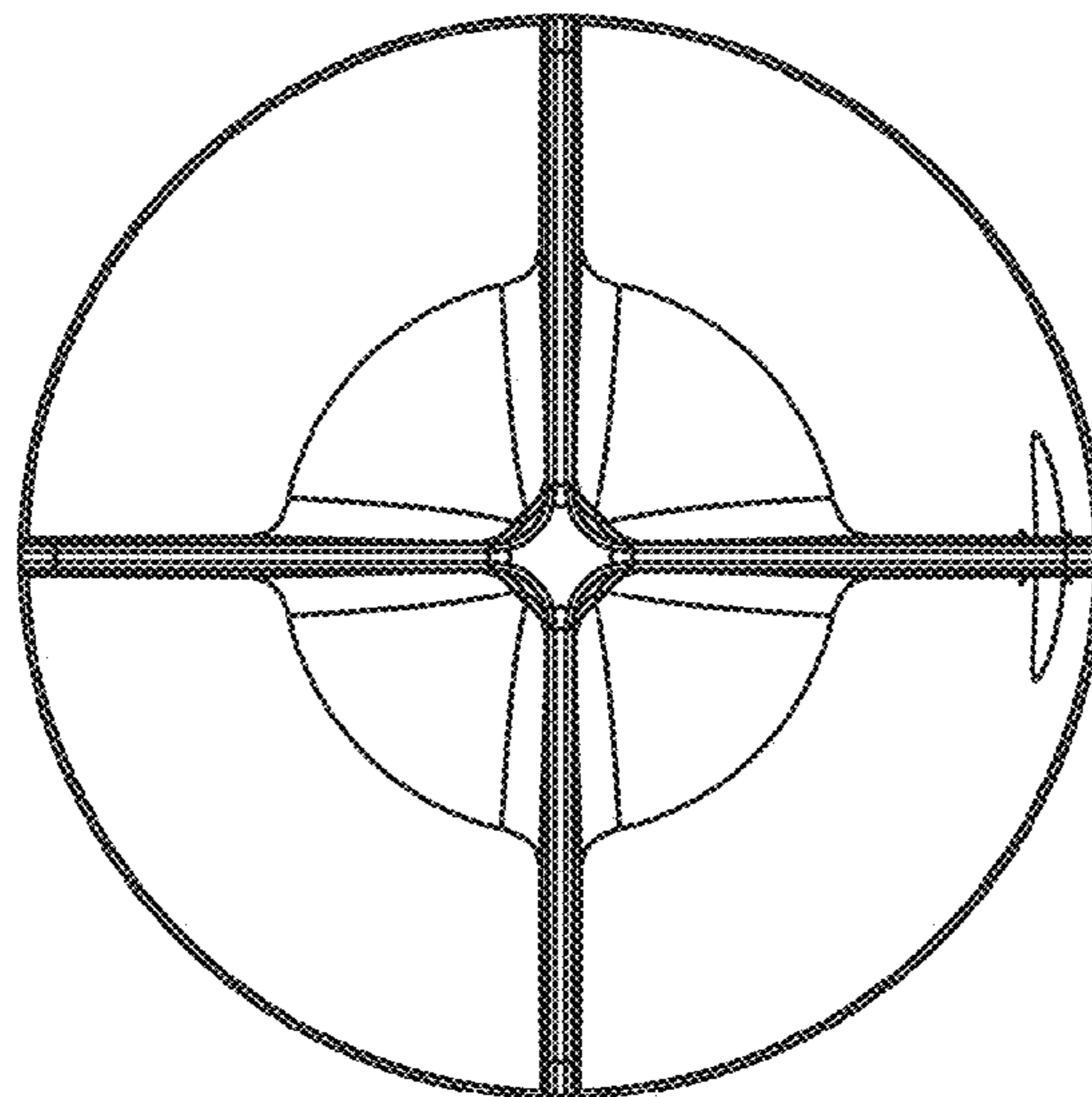


FIG. 6

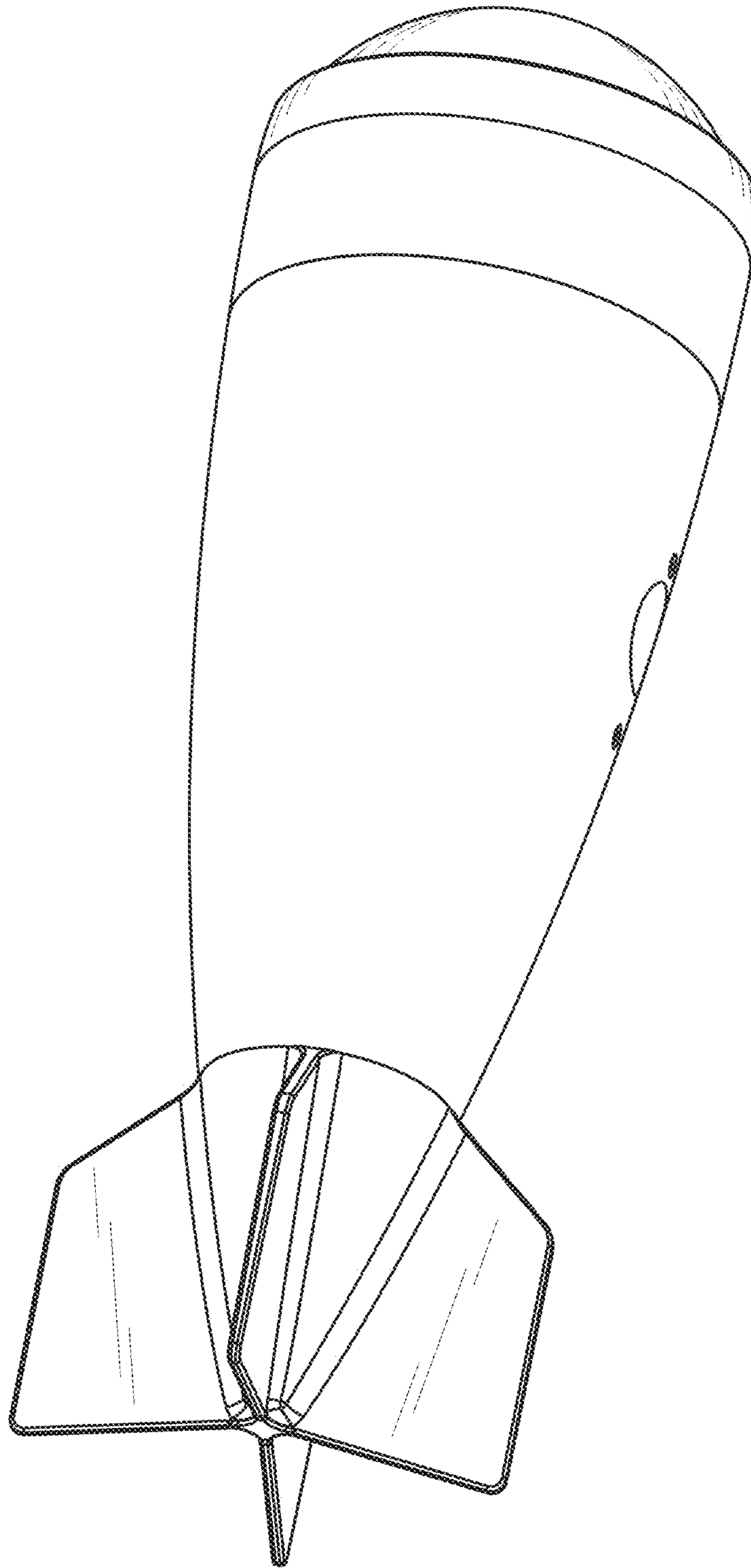


FIG.7