



US00D875293S

(12) **United States Design Patent**
Amato et al.

(10) **Patent No.:** **US D875,293 S**

(45) **Date of Patent:** **** Feb. 11, 2020**

(54) **LIGHTING FIXTURE**

(71) Applicant: **The Urban Electric Company**, North Charleston, SC (US)

(72) Inventors: **Michael Amato**, London (GB); **David Dawson**, Charleston, SC (US); **Jonathan Charpia**, Summerville, SC (US); **Joeangel Casanova**, North Charleston, SC (US); **Brianna Magagnoli**, North Charleston, SC (US); **Janis Golubeckis**, Mount Pleasant, SC (US)

(73) Assignee: **The Urban Electric Company**, North Charleston, SC (US)

(**) Term: **15 Years**

(21) Appl. No.: **29/666,236**

(22) Filed: **Oct. 11, 2018**

(51) **LOC (12) Cl.** **26-03**

(52) **U.S. Cl.**
USPC **D26/82**; D26/88

(58) **Field of Classification Search**
USPC D26/80-86, 88-91, 118
CPC F21S 8/04; F21S 8/043; F21S 8/046; F21S 8/061; F21S 8/063; F21S 8/065
See application file for complete search history.

(56) **References Cited**

U.S. PATENT DOCUMENTS

- D48,034 S * 10/1915 McKinnie D26/88
- D68,681 S * 11/1925 Von Nessen D26/82
- 1,762,565 A * 6/1930 Tillson F21S 8/06
362/296.05
- D95,202 S * 4/1935 Glatthar et al. D26/88

- D100,677 S * 8/1936 Sibbert D26/88
- 3,836,766 A * 9/1974 Auerbach F21S 8/033
362/311.14
- D240,320 S * 6/1976 Anderson, Jr. D26/85
- D391,661 S * 3/1998 Pan D26/86
- D596,336 S * 7/2009 Sabernig D26/88
- D759,877 S * 6/2016 Hewitt D26/89
- D769,506 S * 10/2016 Orozco D26/82
- D833,667 S * 11/2018 Bao D26/89
- D862,774 S * 10/2019 Nielsen D26/88

* cited by examiner

Primary Examiner — Clare E Heflin

(74) *Attorney, Agent, or Firm* — Haynsworth Sinkler Boyd, P.A.

(57) **CLAIM**

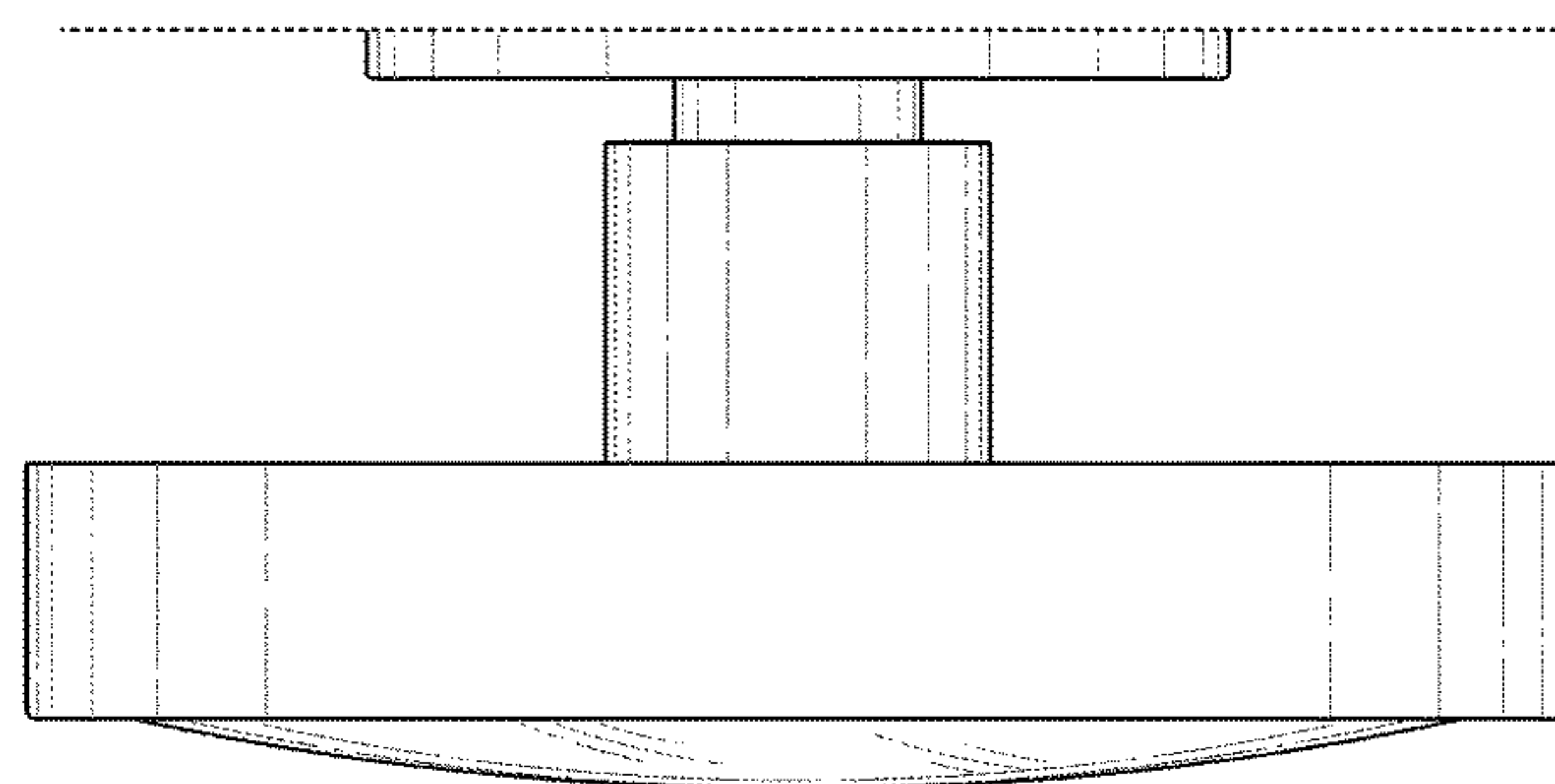
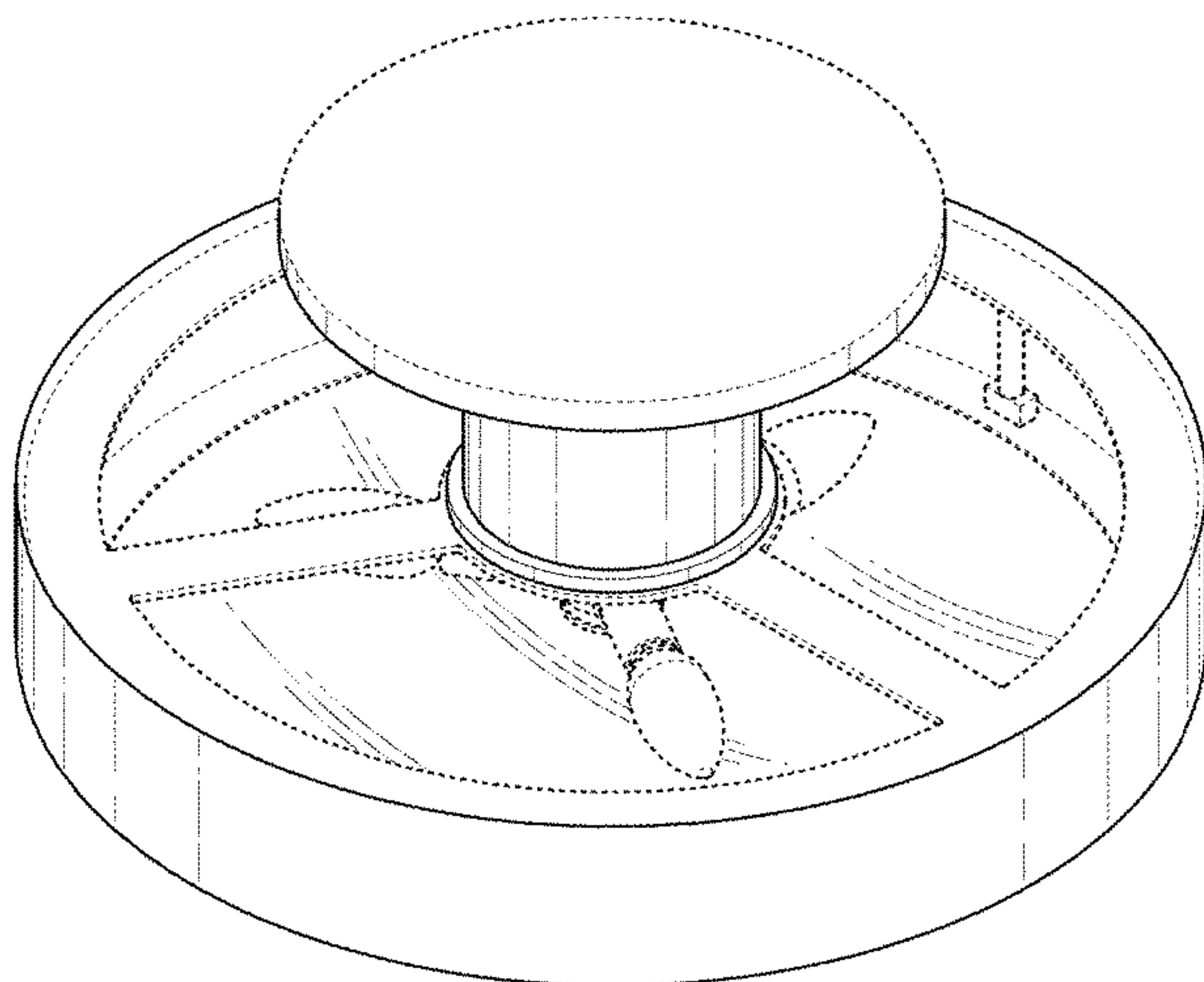
The ornamental design for a lighting fixture, as shown and described.

DESCRIPTION

FIG. 1 is a top perspective view of a lighting fixture depicting a new design;
FIG. 2 is a bottom perspective view thereof;
FIG. 3 is a front elevational view thereof;
FIG. 4 is a back elevational view thereof;
FIG. 5 is a left elevational view thereof;
FIG. 6 is a right elevational view thereof;
FIG. 7 is a top plan view thereof; and,
FIG. 8 is a bottom plan view thereof.

The horizontal broken lines extending out beyond the perimeter of the fixture in FIGS. 3-6 are intended to demonstrate environment only and form no part of the claimed design. The remaining broken line disclosures in the views represent portions of the lighting fixture that form no part of the claimed design.

1 Claim, 8 Drawing Sheets



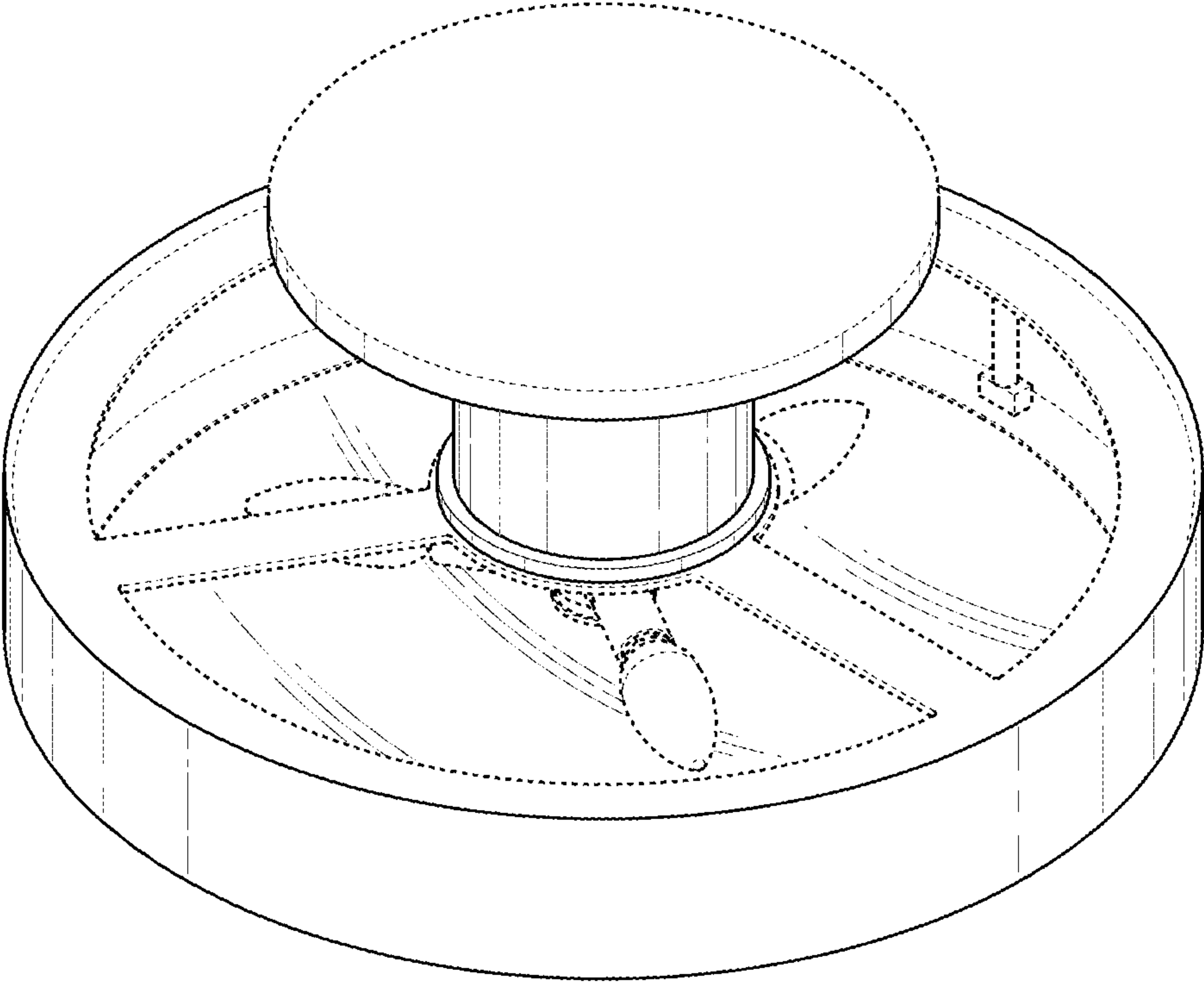


FIG. 1

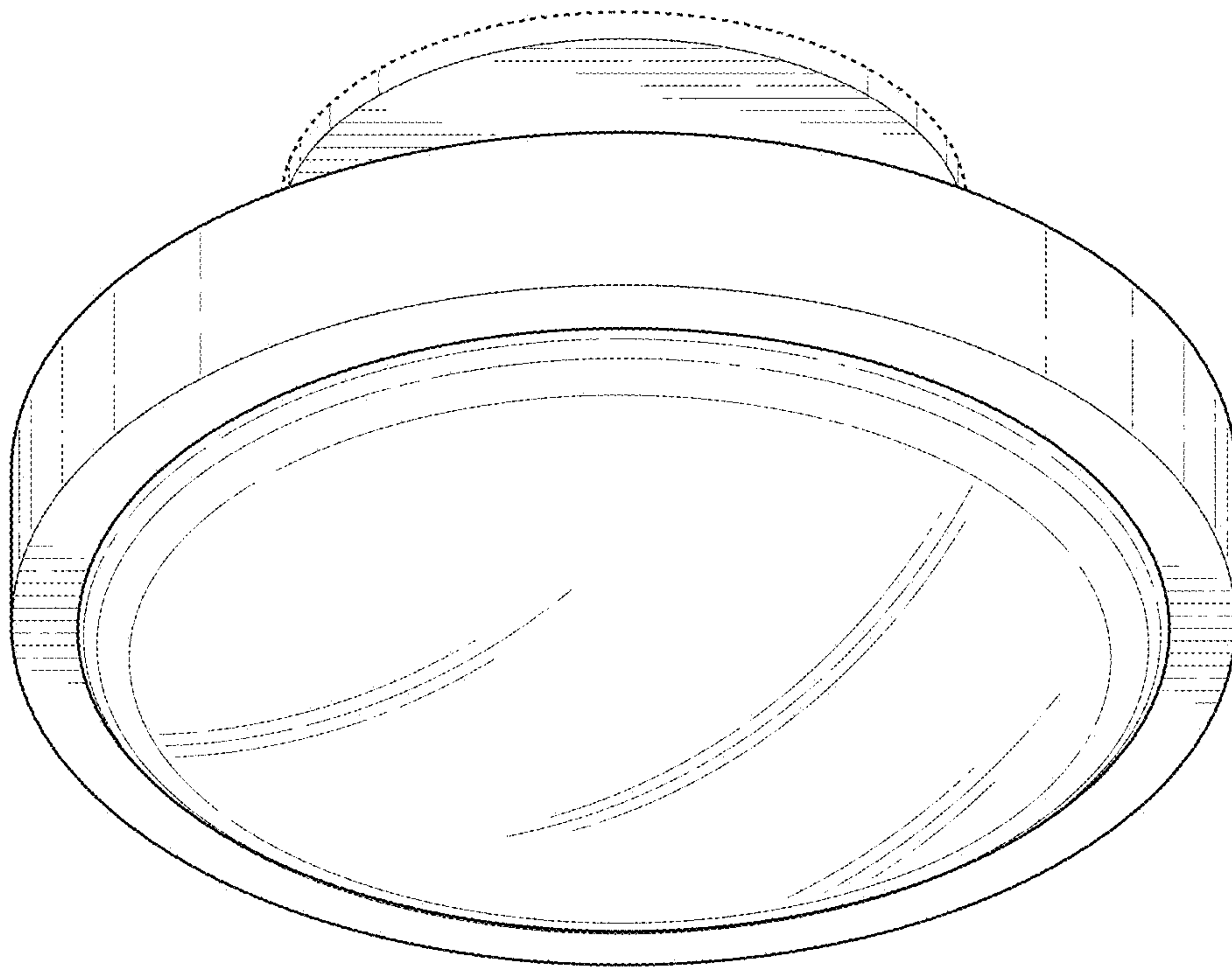


FIG. 2

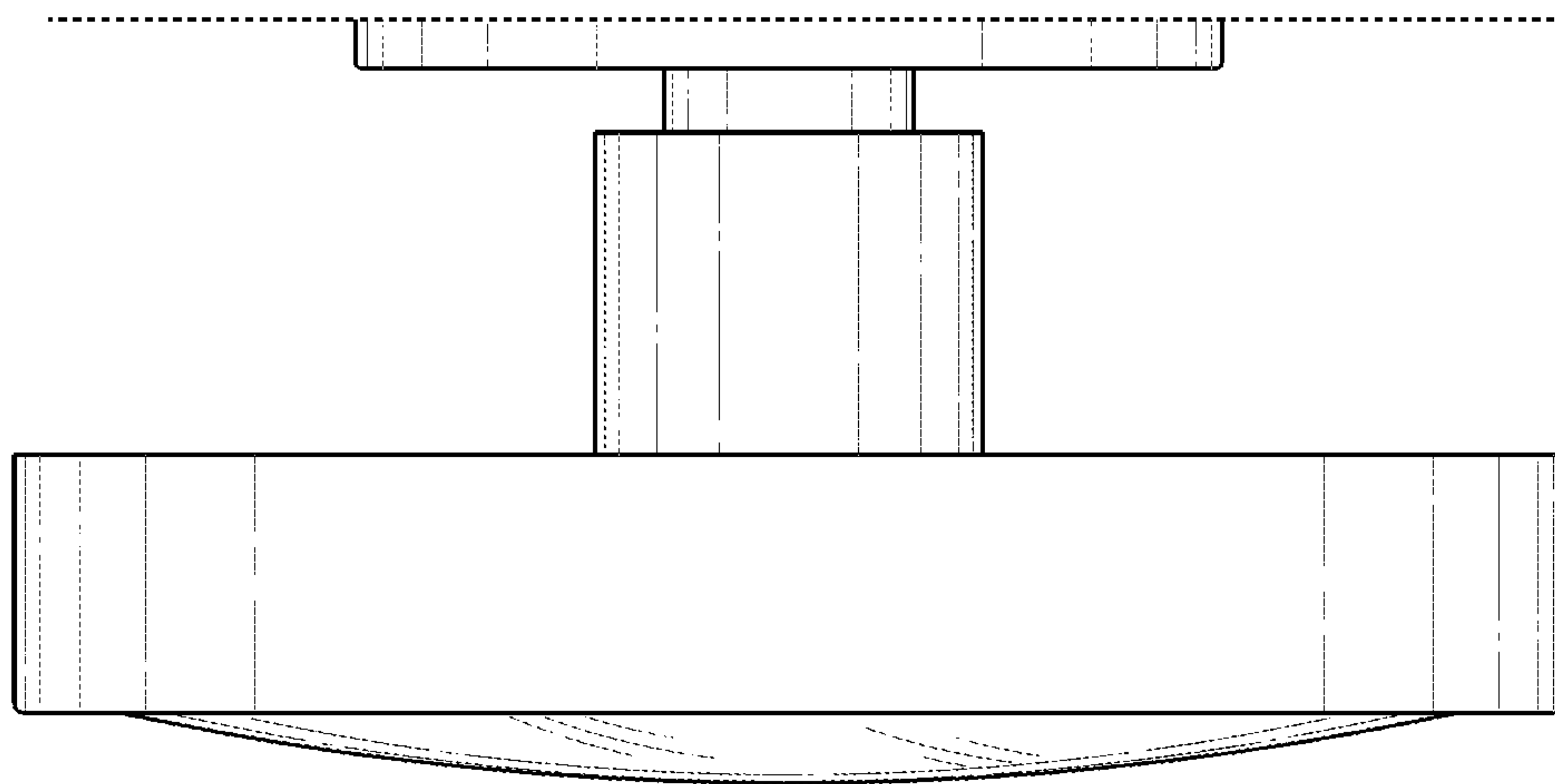


FIG. 3

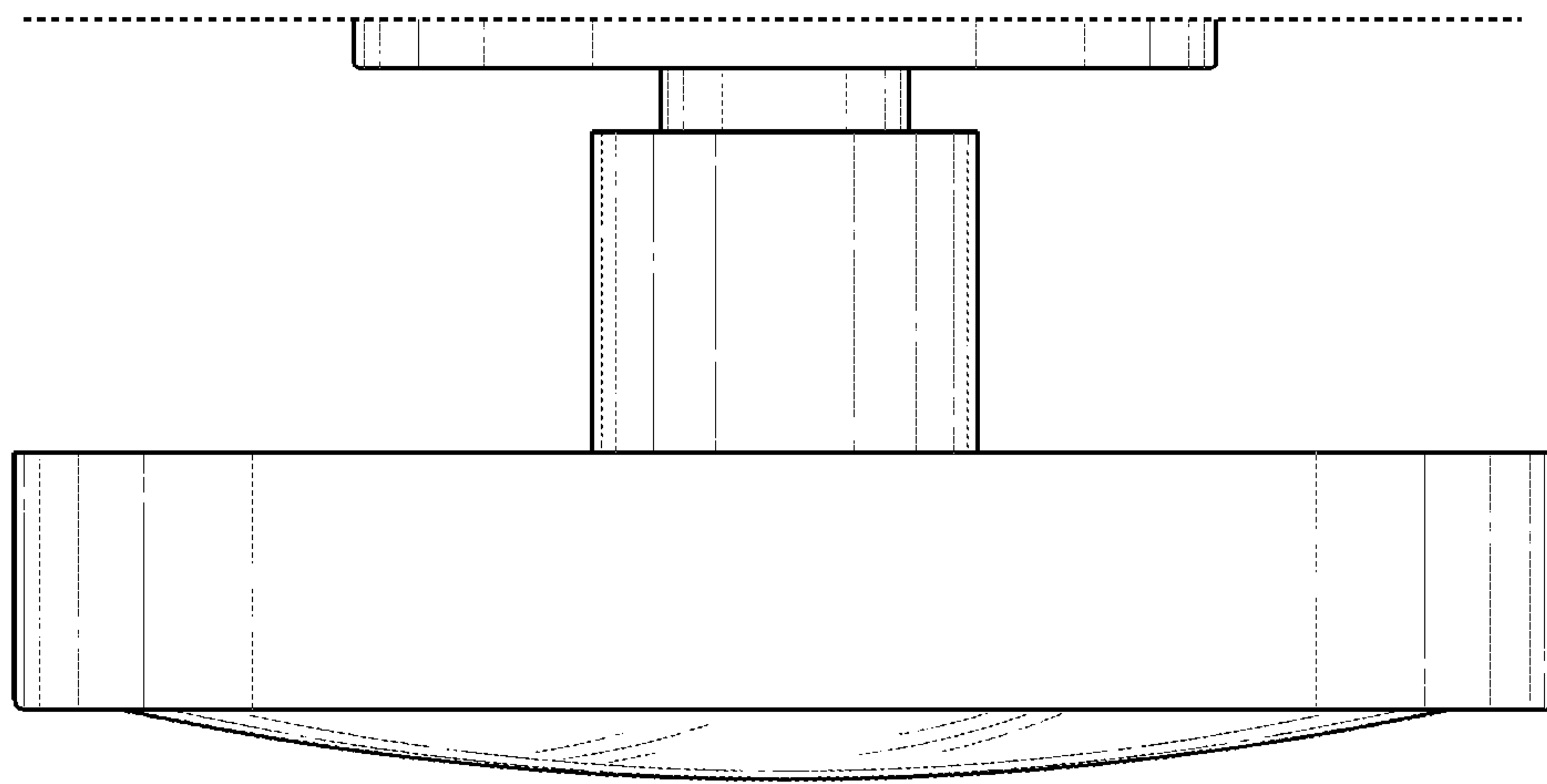


FIG. 4

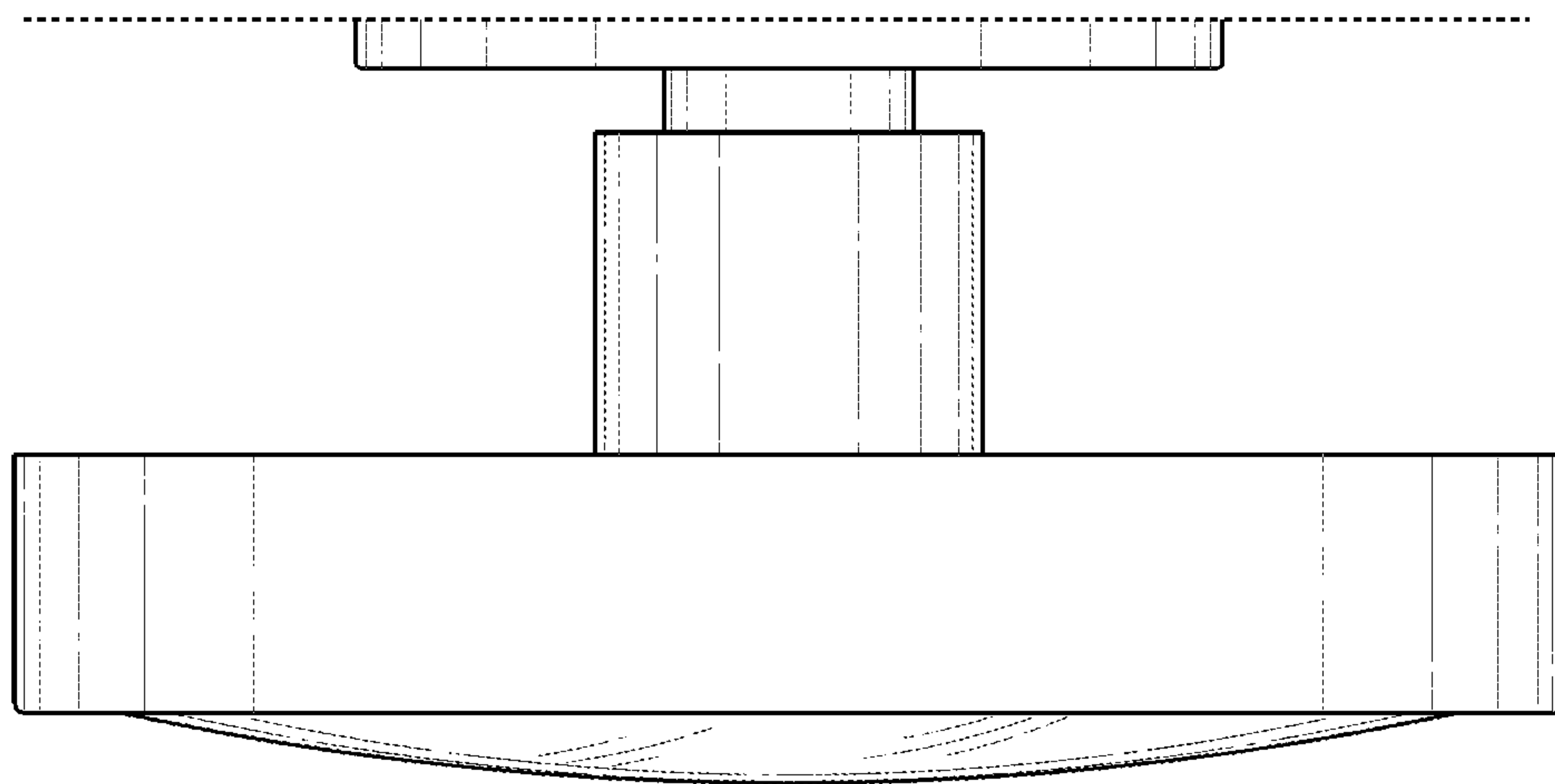


FIG. 5

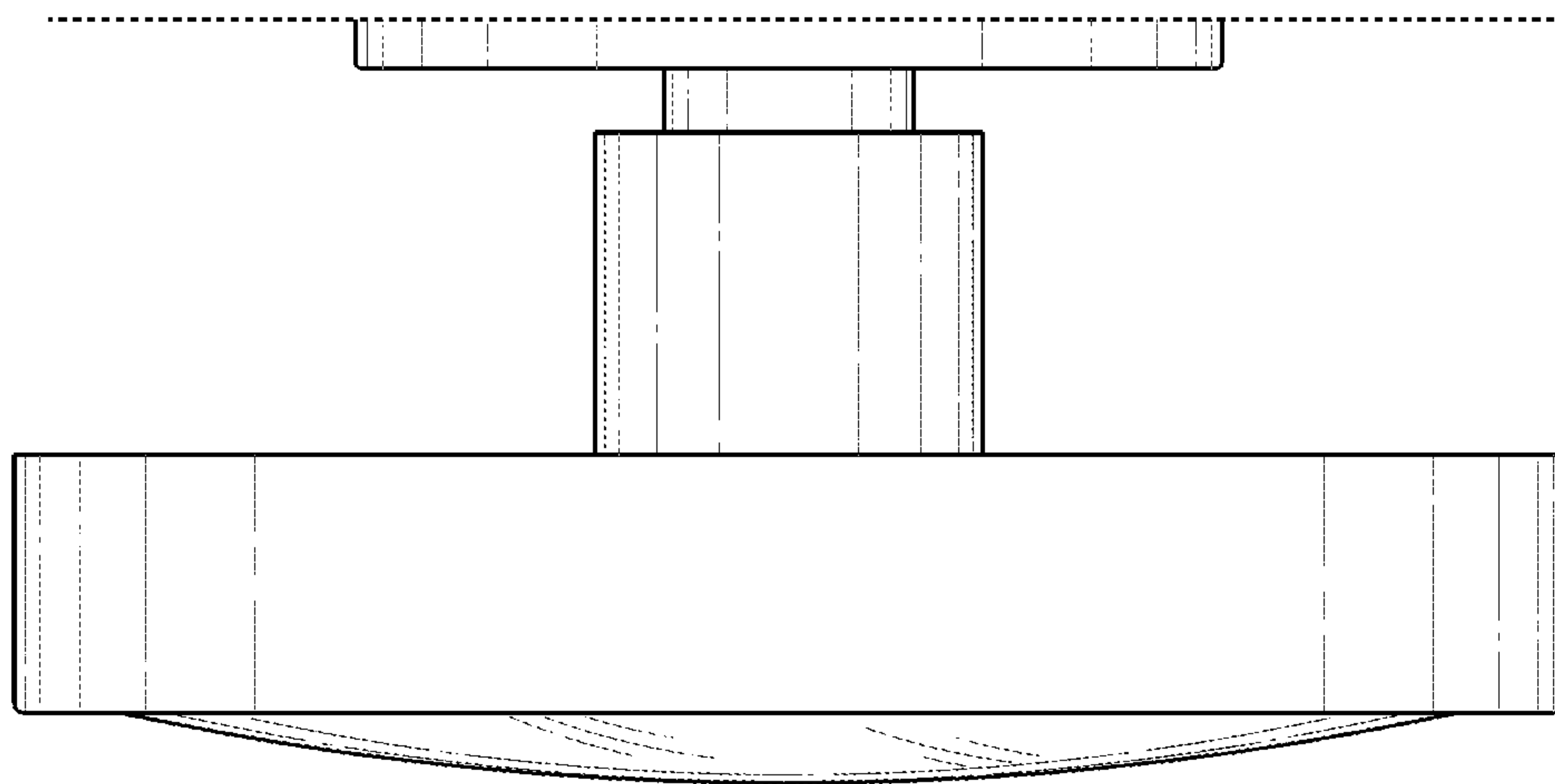


FIG. 6

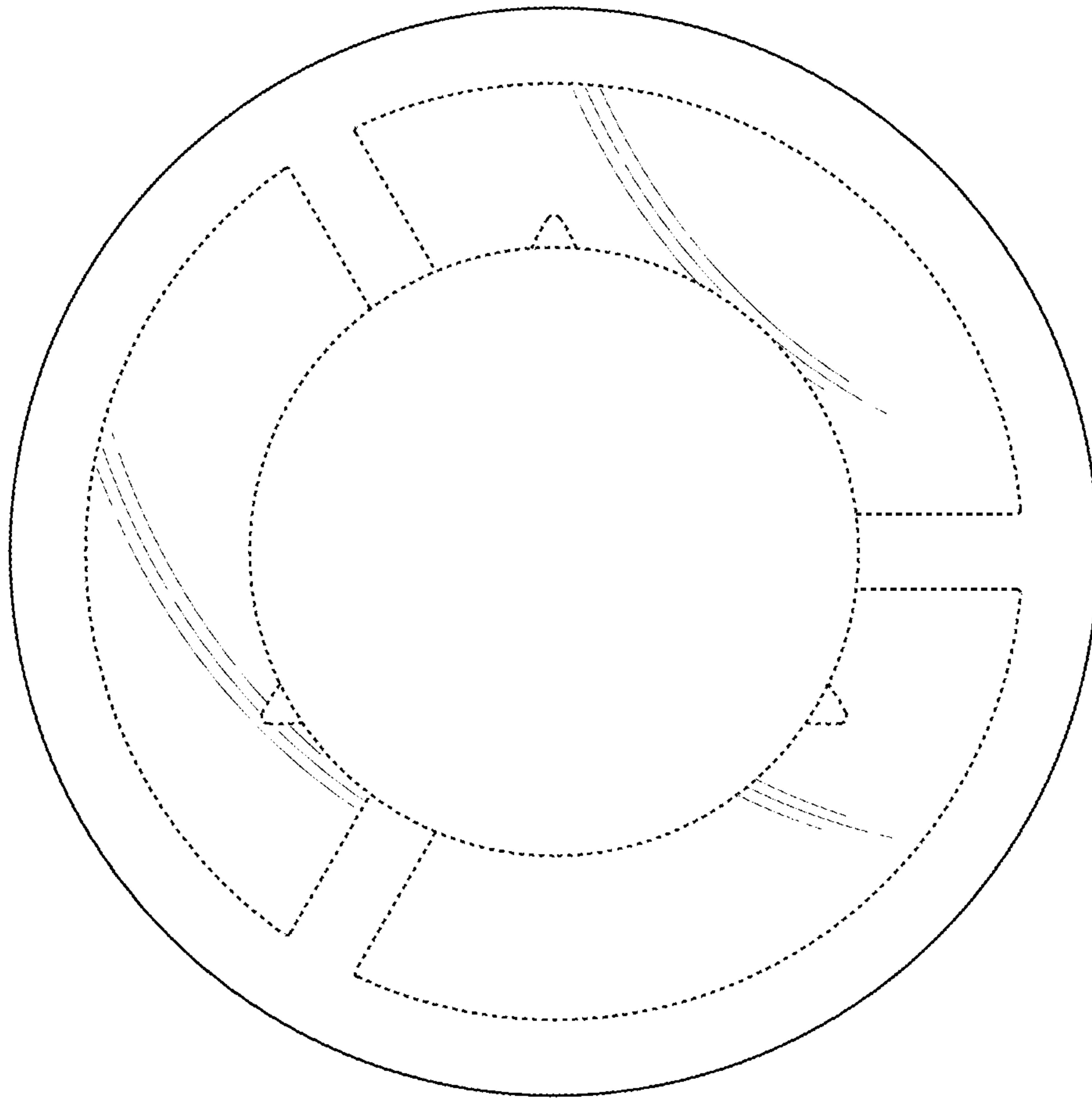


FIG. 7

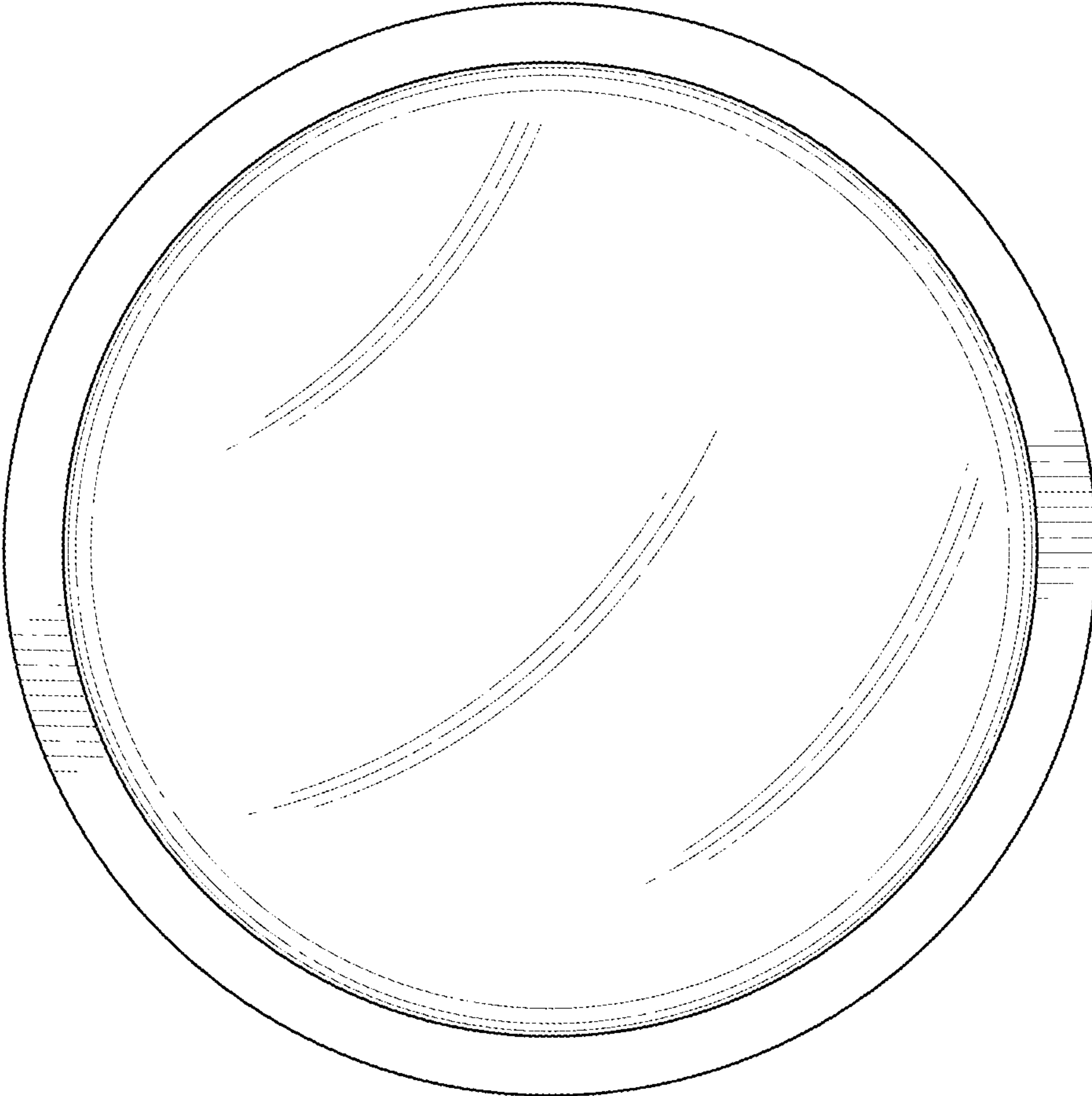


FIG. 8