



US00D875292S

(12) **United States Design Patent**
Zhou et al.

(10) **Patent No.:** **US D875,292 S**

(45) **Date of Patent:** **** Feb. 11, 2020**

(54) **MINING LAMP**

(71) Applicants: **Yaqun Zhou**, Hengyang (CN);
Xiangchi Wen, Zixing (CN)

(72) Inventors: **Yaqun Zhou**, Hengyang (CN);
Xiangchi Wen, Zixing (CN)

(**) Term: **15 Years**

(21) Appl. No.: **29/659,992**

(22) Filed: **Aug. 14, 2018**

(51) **LOC (12) Cl.** **26-05**

(52) **U.S. Cl.**
USPC **D26/72**

(58) **Field of Classification Search**
USPC D26/63, 72, 80, 83, 85, 88, 89, 118
CPC F21S 8/03; F21S 8/033; F21S 8/036; F21S
8/04; F21S 8/043; F21S 8/06; F21S
8/061; F21S 8/063; F21S 8/086; F21W
2121/1005; F21W 2121/402; F21W
2121/409; F21V 29/76; F21V 29/77;
F21V 29/777; F21V 29/78; F21V 21/008;
F21V 21/26
See application file for complete search history.

(56) **References Cited**

U.S. PATENT DOCUMENTS

D690,453 S *	9/2013	Guercio	D26/72
D702,867 S *	4/2014	Kim	D26/72
D796,722 S *	9/2017	Zhu	D26/72
D845,532 S *	4/2019	Zhu	D26/72
D860,509 S *	9/2019	Ma	D26/89
D868,332 S *	11/2019	Zhao	D26/72
D868,334 S *	11/2019	Li	D26/72
D868,336 S *	11/2019	Li	D26/72

2013/0215605 A1 *	8/2013	Wu	F21S 8/061 362/184
2016/0363300 A1 *	12/2016	Ma	F21V 21/108
2017/0153016 A1 *	6/2017	Lee	F21V 29/77

OTHER PUBLICATIONS

100W UFO LED High Bay Light Fixture, 13000Im 1-10V Dimmable 5000K UL, DLC Complied [175W/250W. sold by HYKOLITY at amazon.com Apr. 8, 2017. (Year: 2017).*
UFO LED High Bay sold by LumeGen at amazon.com Jul. 23, 2019. (Year: 2019).*
LED High Bay Lighting 150Watt with 5500K Daylight White, 500-600W HPS. Equivalent, Perfect for Commercial and Industrial Lighting sold by Britestars at amazon.com Jul. 24, 2019. (Year: 2019).*
LED High Bay Light sold by WareLight at amazon.com Sep. 26, 2019. (Year: 2019).*

* cited by examiner

Primary Examiner — Clare E Heflin

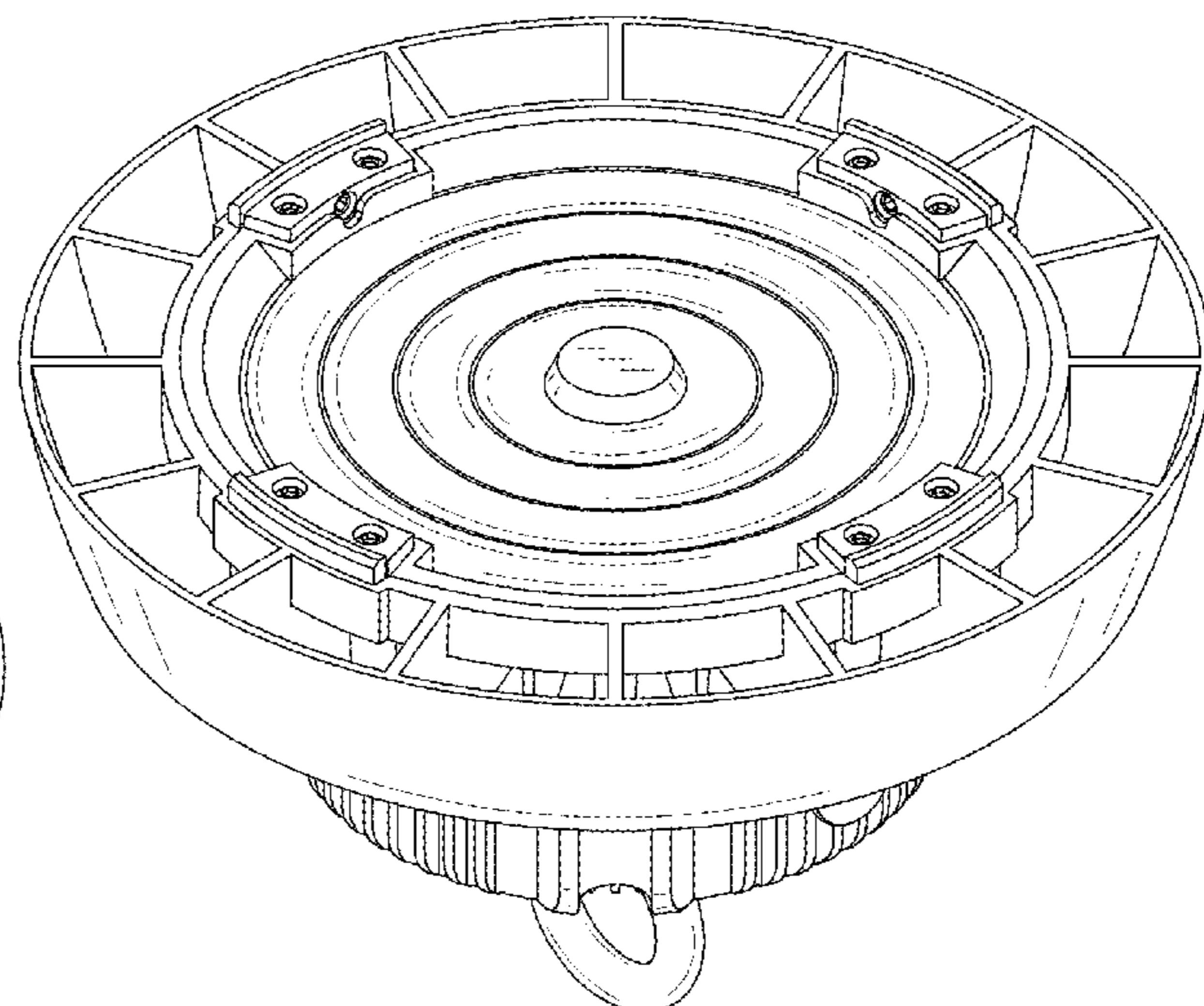
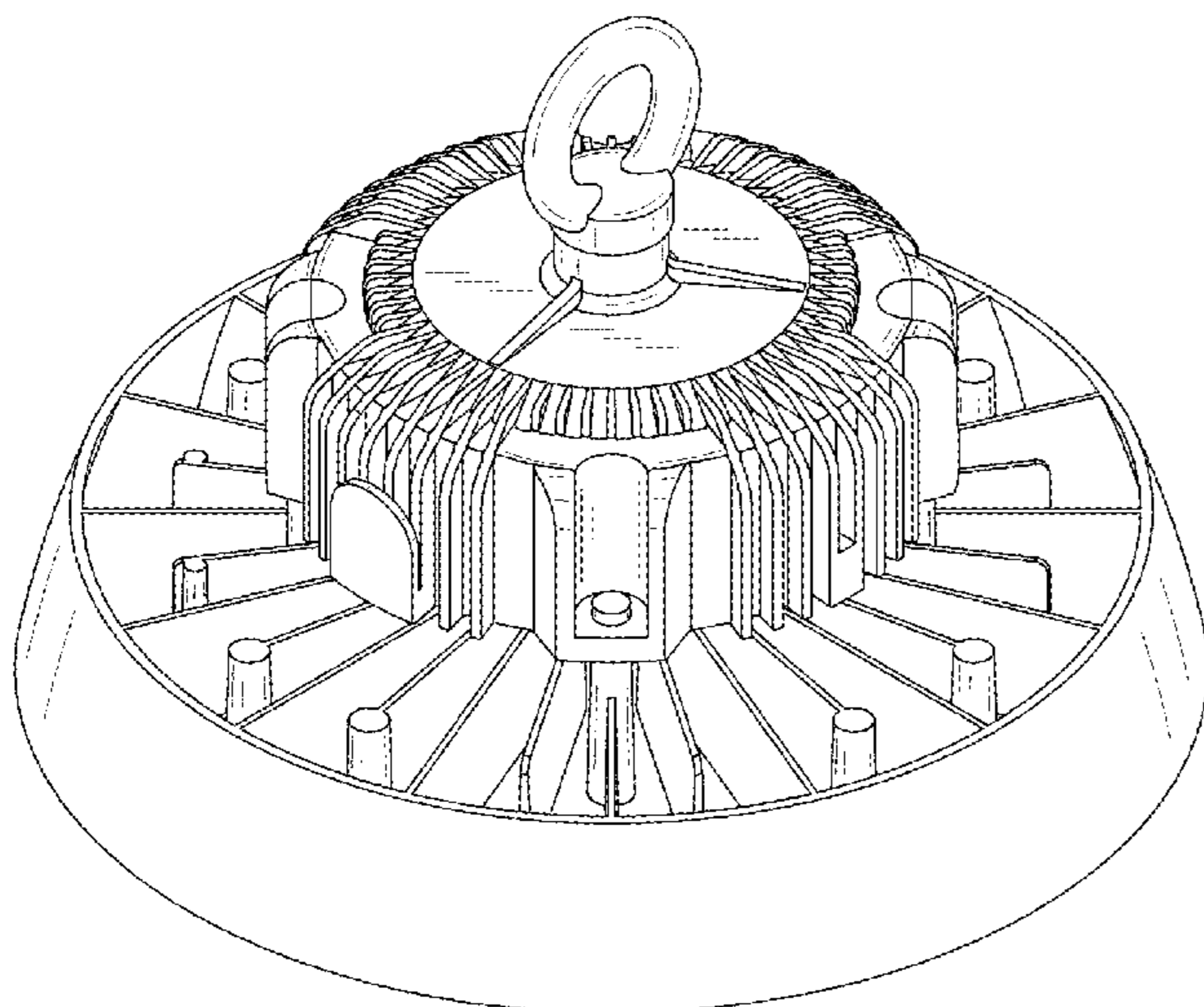
(57) **CLAIM**

The ornamental design for the mining lamp, as shown and described.

DESCRIPTION

FIG. 1 is a top plan view of the mining lamp showing our new design;
FIG. 2 is a bottom plan view thereof;
FIG. 3 is a left side view thereof;
FIG. 4 is a right side view thereof;
FIG. 5 is a front view thereof;
FIG. 6 is a rear view thereof;
FIG. 7 is a perspective view thereof; and,
FIG. 8 is another perspective view thereof.

1 Claim, 7 Drawing Sheets



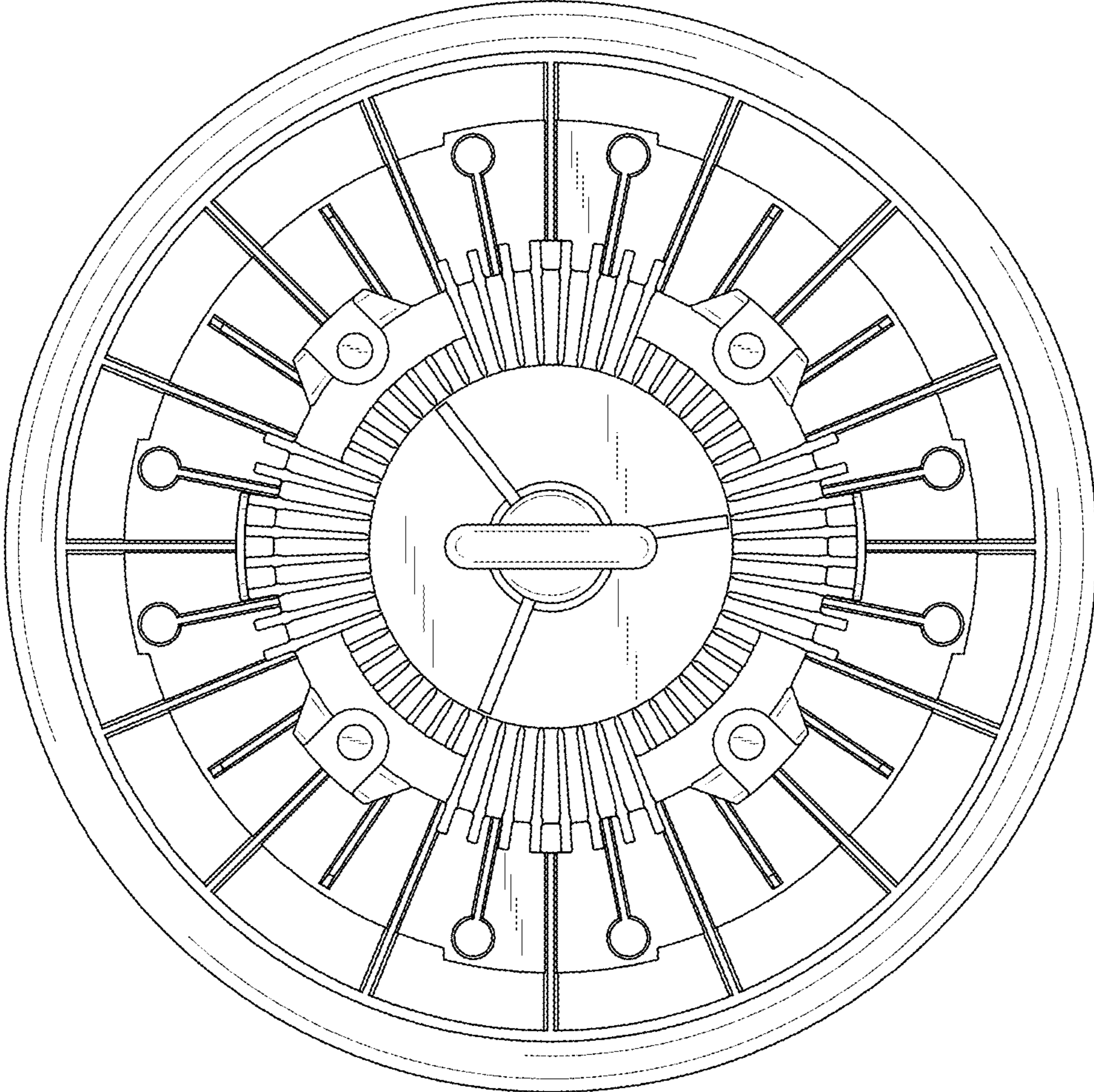


Fig.1

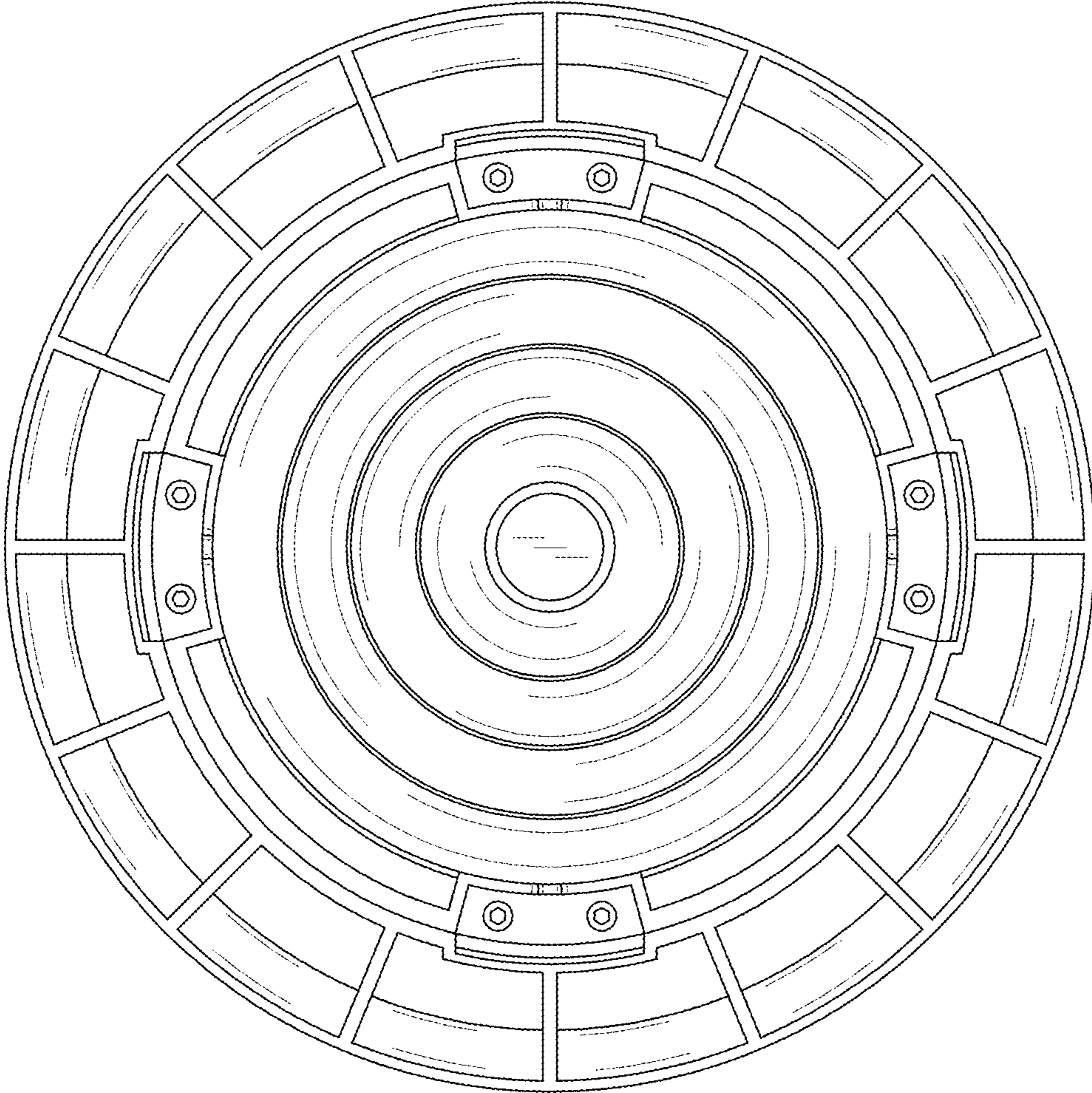


Fig.2

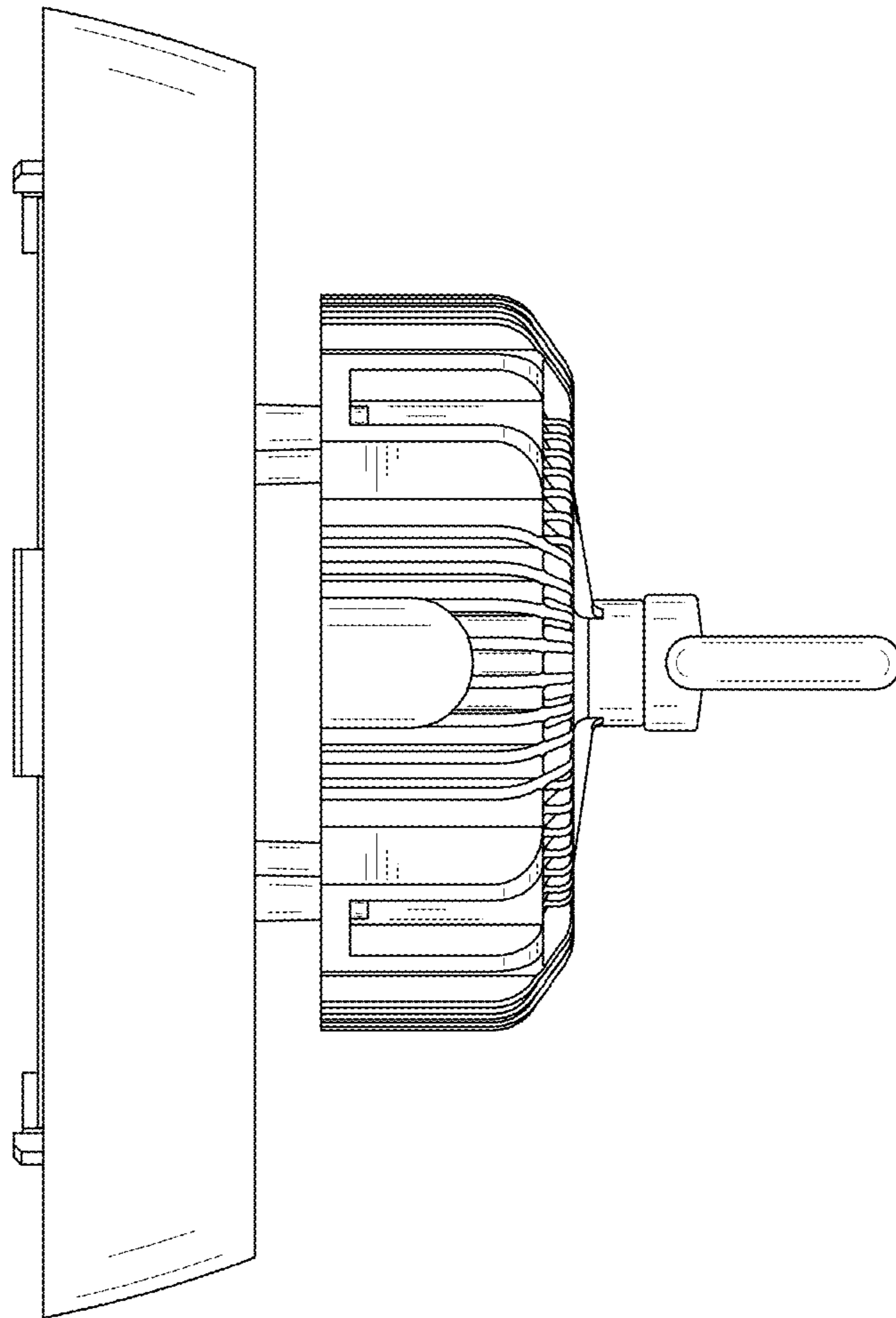


Fig3

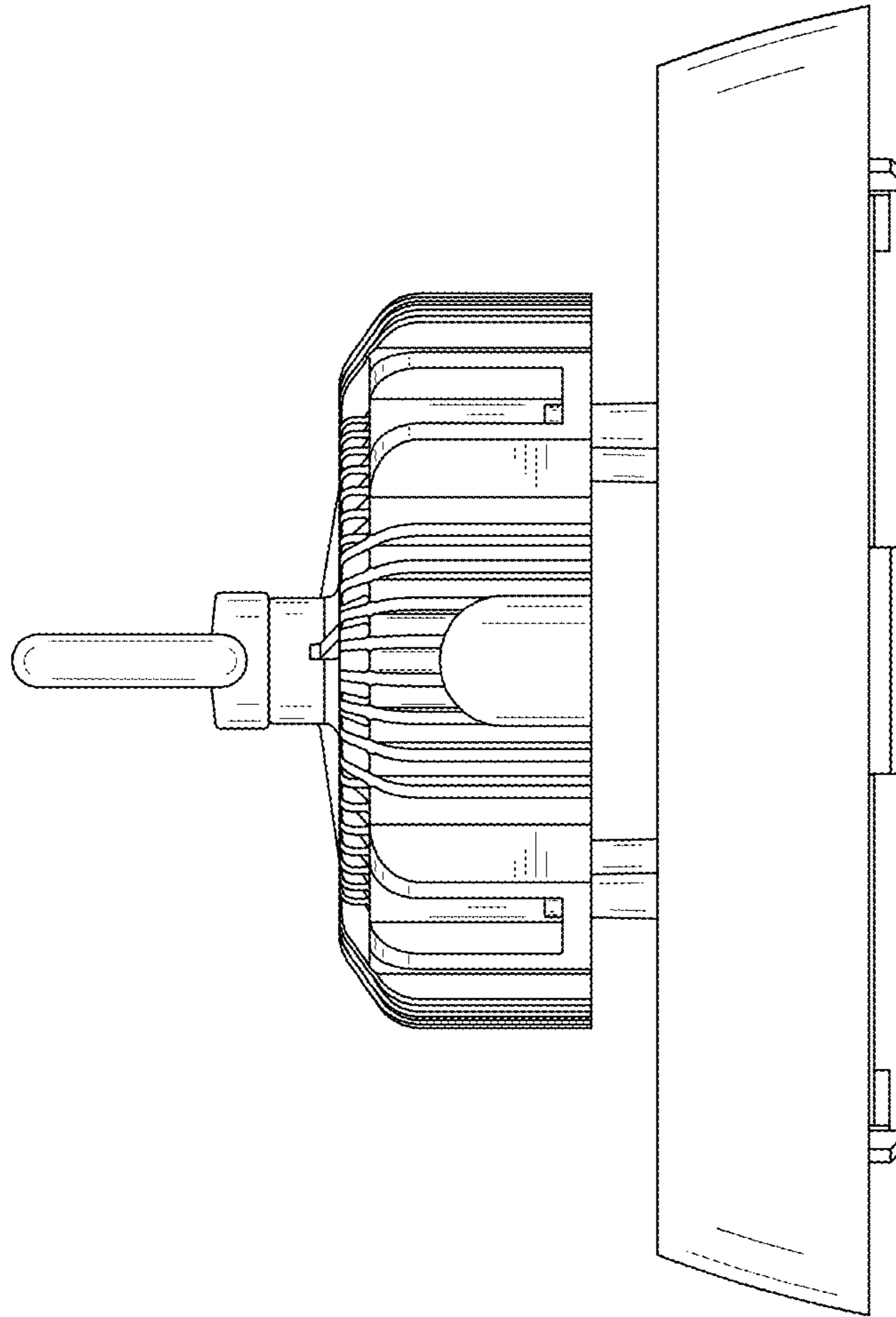


Fig.4

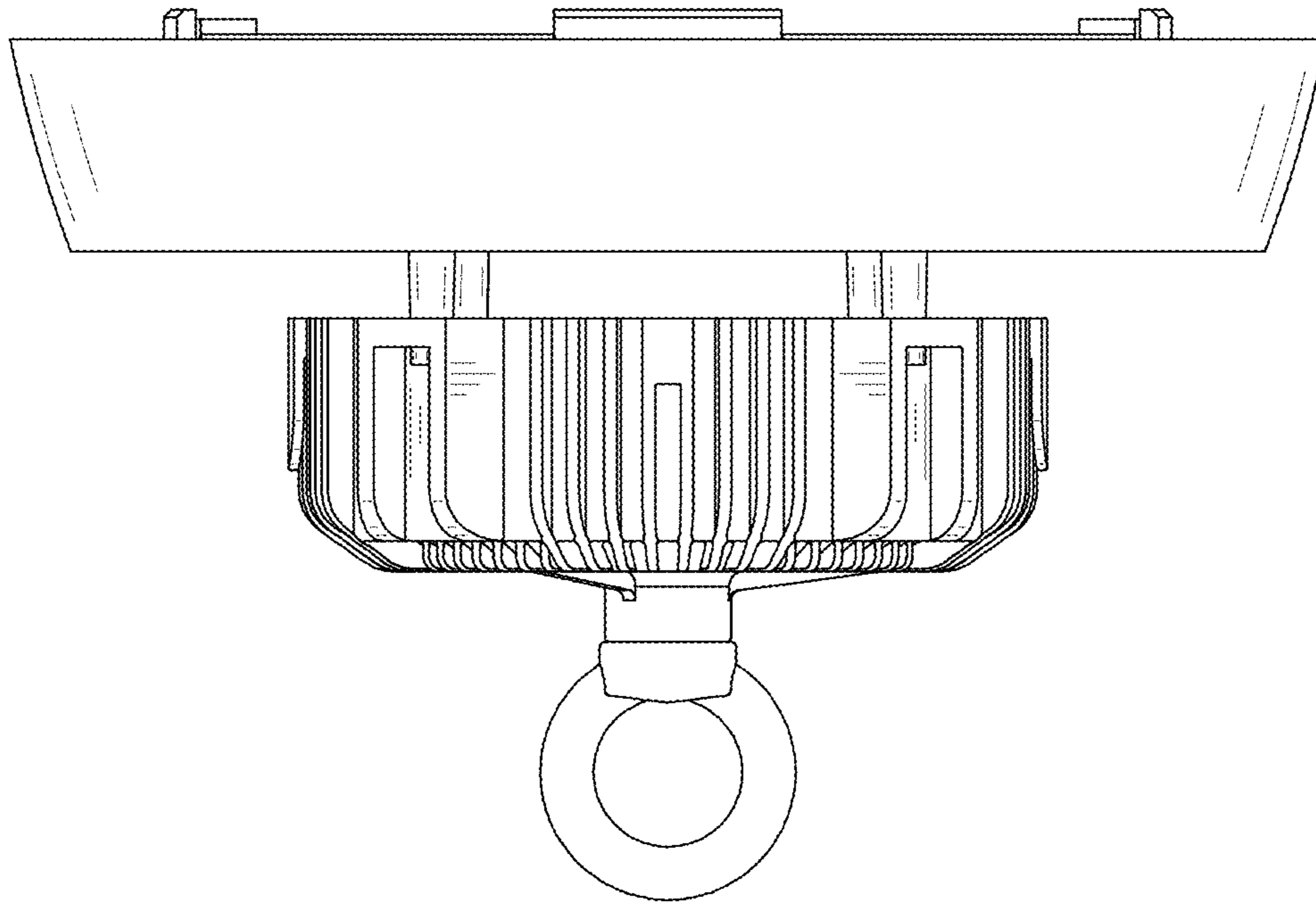


Fig.5

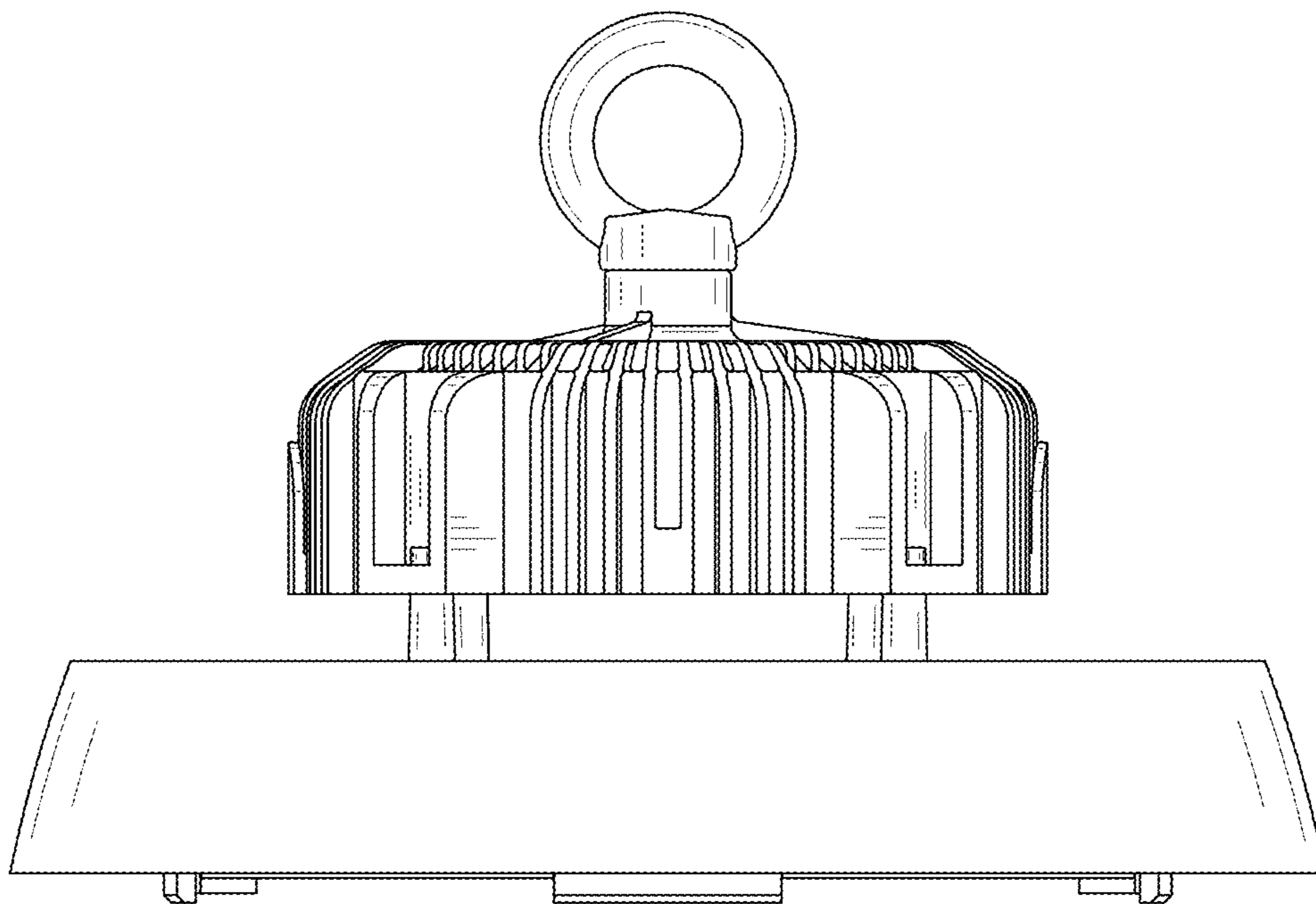


Fig.6

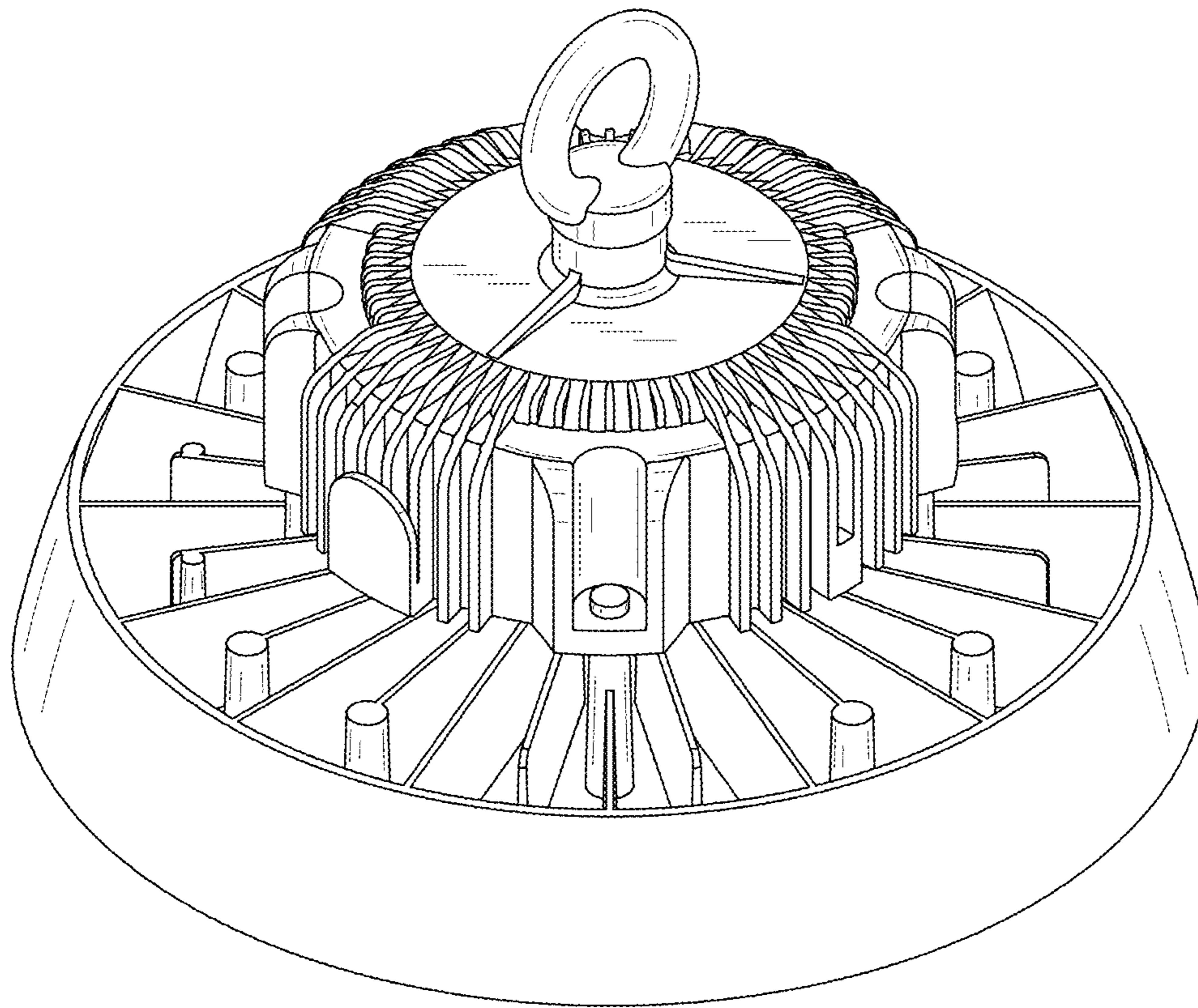


Fig.7

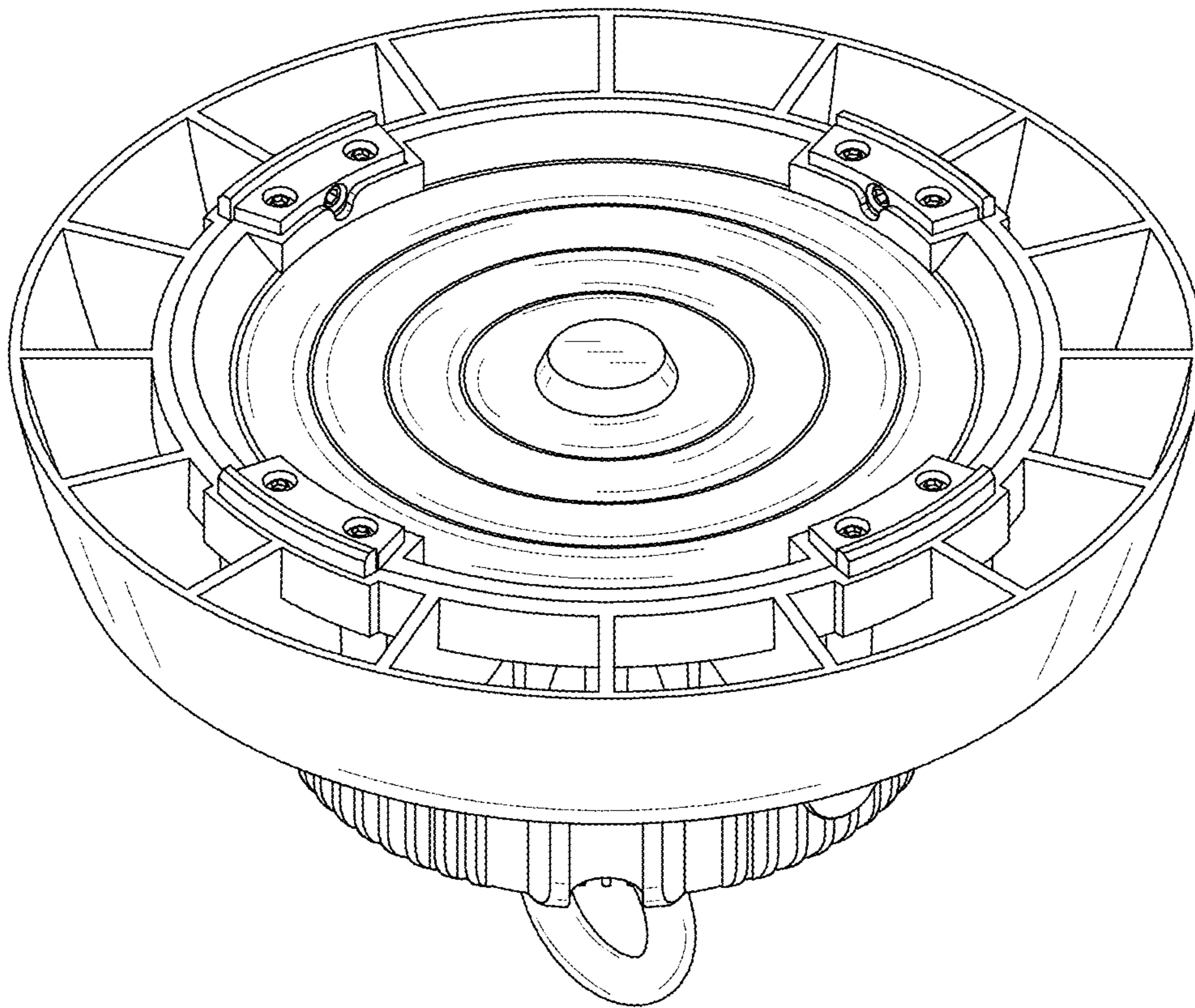


Fig.8