



US00D875291S

(12) **United States Design Patent**  
**Liu**

(10) **Patent No.:** **US D875,291 S**  
(45) **Date of Patent:** **\*\* Feb. 11, 2020**

(54) **GARDEN TORCH LAMP**

(71) Applicant: **Xin Liu**, Shenzhen (CN)

(72) Inventor: **Xin Liu**, Shenzhen (CN)

(\*\*) Term: **15 Years**

(21) Appl. No.: **29/663,205**

(22) Filed: **Sep. 13, 2018**

(51) **LOC (12) Cl.** ..... **26-05**

(52) **U.S. Cl.**  
USPC ..... **D26/67**

(58) **Field of Classification Search**  
USPC ..... D26/63, 67-70, 85  
CPC .. F21S 8/081; F21S 8/083; F21S 8/088; F21S  
9/03; F21S 9/032; F21S 9/035; F21V  
21/0824; F21W 2111/02; F21W 2111/023;  
F21W 2131/109

See application file for complete search history.

(56) **References Cited**

**U.S. PATENT DOCUMENTS**

D50,542 S *	3/1917	Wellman	.....	D26/85
D426,013 S *	5/2000	Landefeld	.....	D26/68
D485,930 S *	1/2004	Chen	.....	D26/67
D488,576 S *	4/2004	Chen	.....	D26/67
D500,876 S *	1/2005	Bucher	.....	D26/67
D530,035 S *	10/2006	Wen	.....	D26/67
D604,439 S *	11/2009	Chen	.....	D26/67

D604,440 S *	11/2009	Chen	.....	D26/67
D646,832 S *	10/2011	Chen	.....	D26/67
D707,380 S *	6/2014	Sooferian	.....	D26/68
D814,092 S *	3/2018	Chen	.....	D26/67
D841,213 S *	2/2019	Zhuo	.....	D26/68

**OTHER PUBLICATIONS**

Solar Pathway Lights by GIGALUMI sold at amazon.com as early as May 12, 2018. (Year: 2018).\*  
Solar Lights Metal Flickering Flame Solar Torches by TomCare sold at amazon.com as early as Sep. 10, 2019. (Year: 2019).\*  
6 Pack Solar Path Lights by SOLPEX sold at amazon.com as early as Apr. 23, 2019. (Year: 2019).\*

\* cited by examiner

*Primary Examiner* — Clare E Heflin  
(74) *Attorney, Agent, or Firm* — Gokalp Bayramoglu

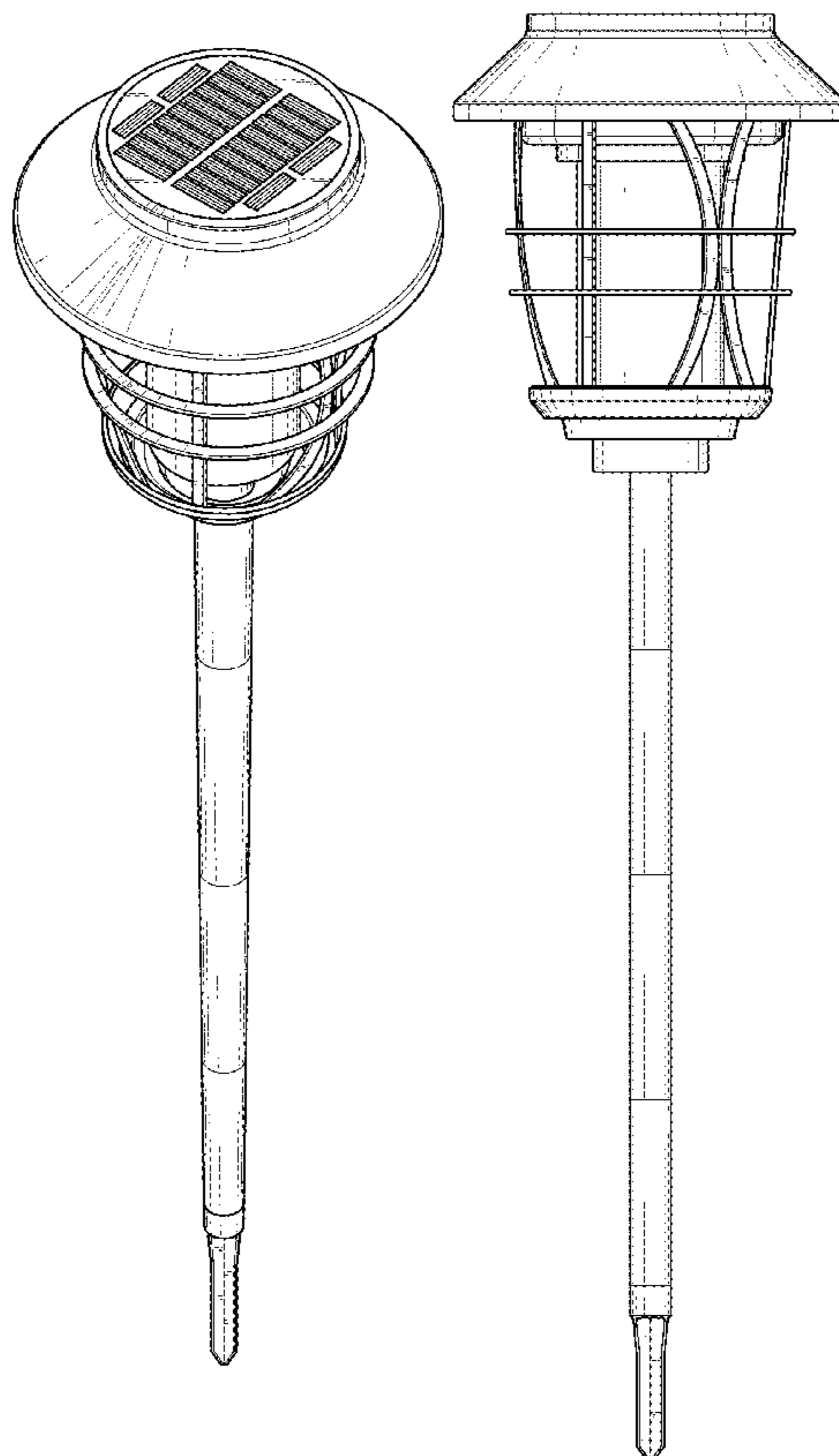
(57) **CLAIM**

The ornamental design for a garden torch lamp, as shown and described.

**DESCRIPTION**

FIG. 1 is a perspective view of a garden torch lamp showing my new design;  
FIG. 2 is a front view thereof;  
FIG. 3 is a rear view thereof;  
FIG. 4 is a left side view thereof;  
FIG. 5 is a right side view thereof;  
FIG. 6 is a top view thereof; and,  
FIG. 7 is a bottom view thereof.

**1 Claim, 7 Drawing Sheets**



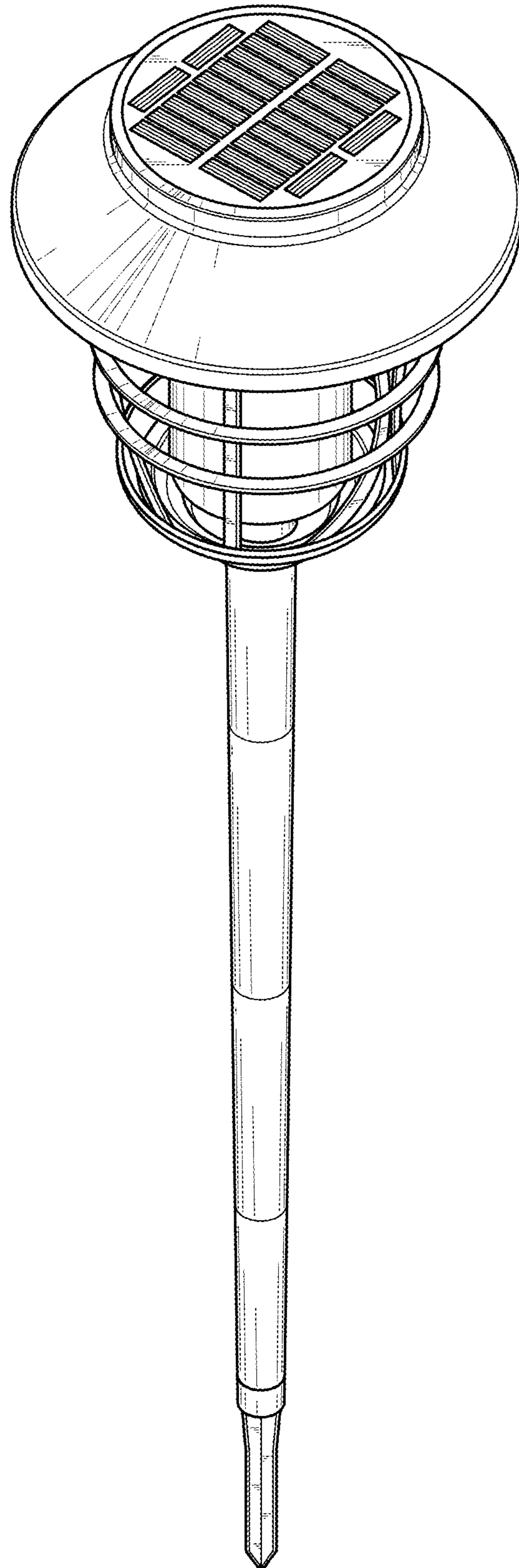


Fig. 1

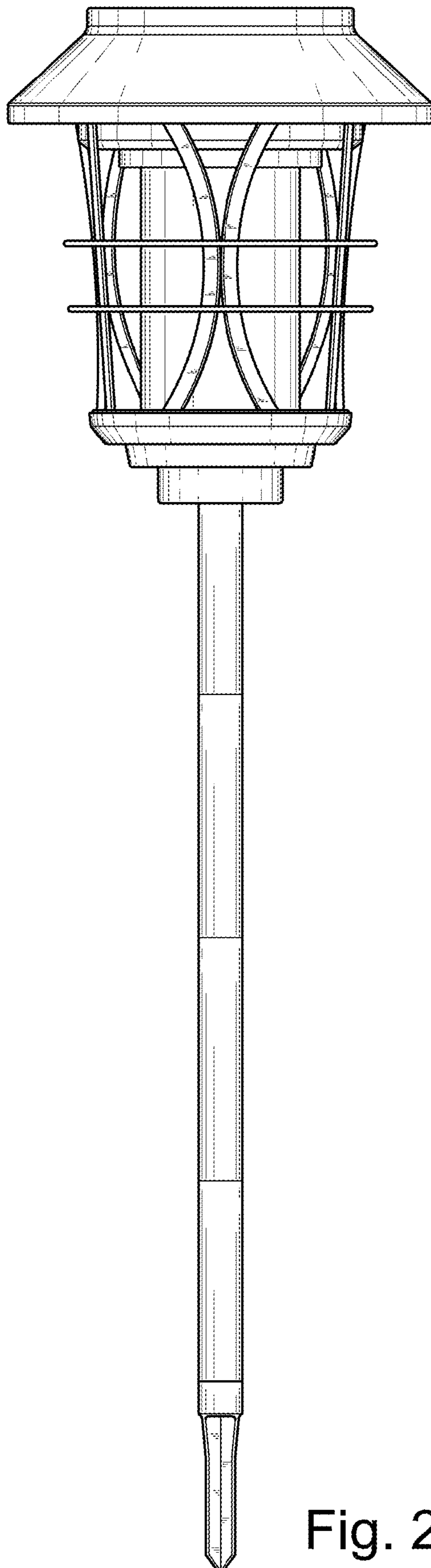


Fig. 2

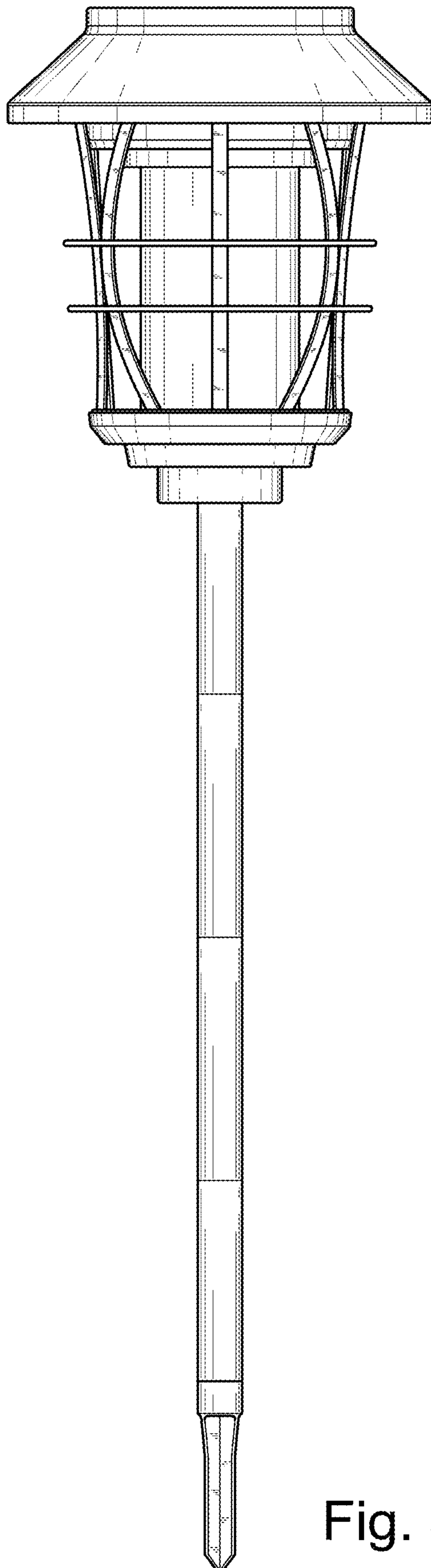


Fig. 3

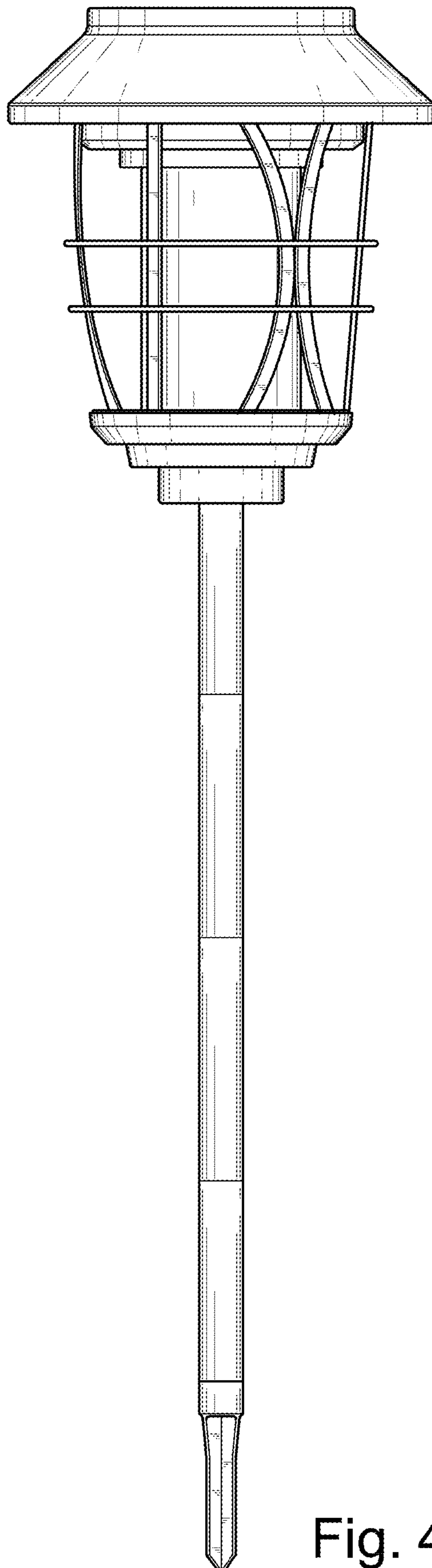


Fig. 4

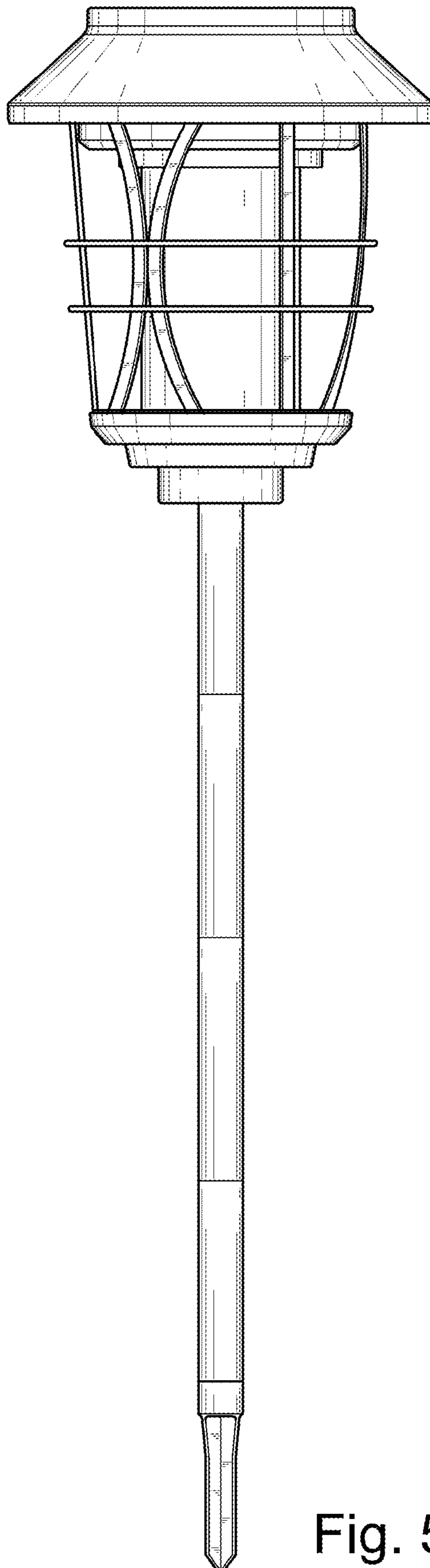


Fig. 5

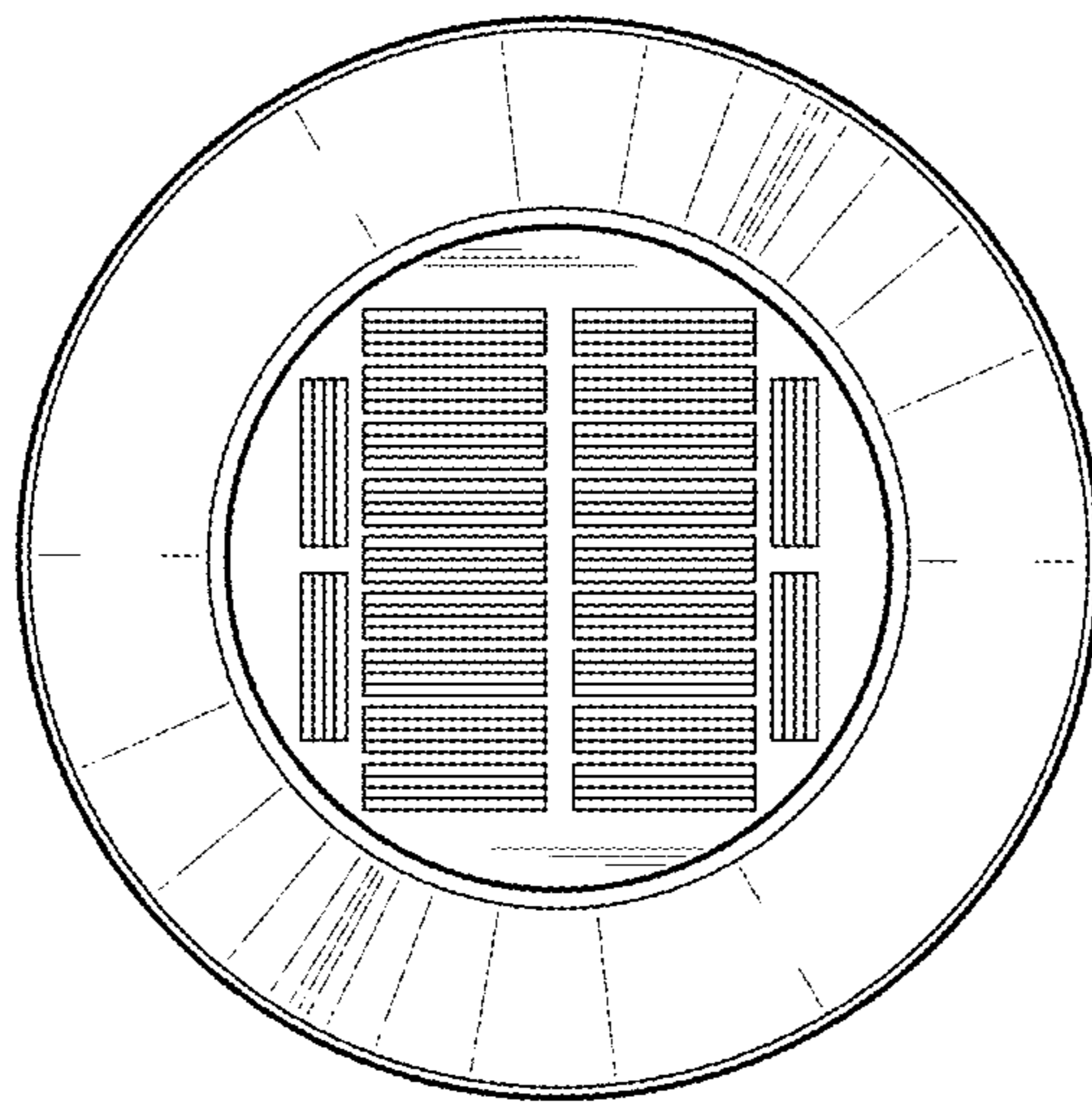


Fig. 6

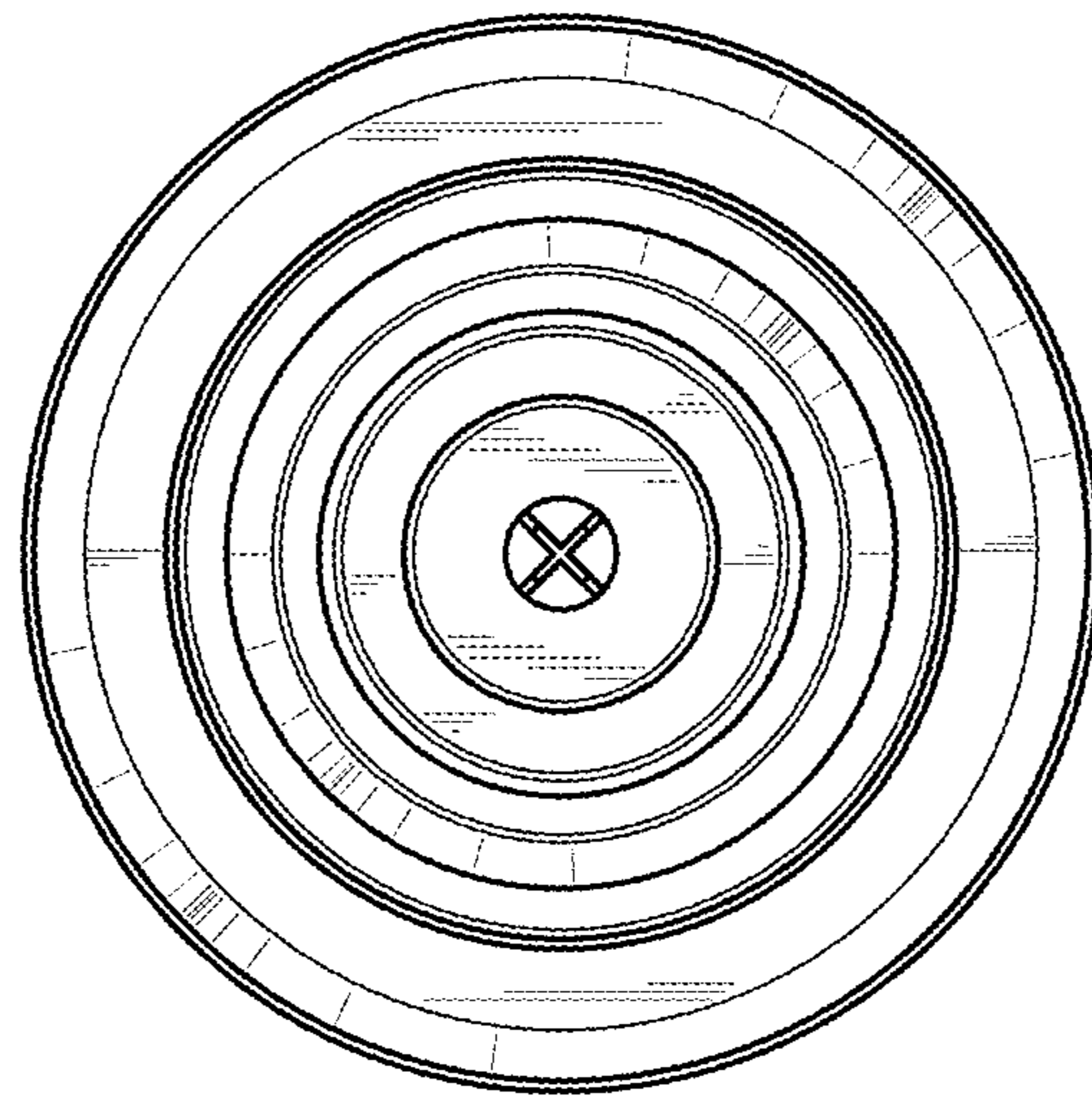


Fig. 7