



US00D875289S

(12) **United States Design Patent**
Hu

(10) **Patent No.:** **US D875,289 S**

(45) **Date of Patent:** **** Feb. 11, 2020**

(54) **SOLAR LAMP**

(71) Applicant: **SHENZHEN QIANHAI PATUOXUN NETWORK AND TECHNOLOGY CO., LTD**, Shenzhen (CN)

(72) Inventor: **Zaihui Hu**, Shenzhen (CN)

(73) Assignee: **SHENZHEN QIANHAI PATUOXUN NETWORK AND TECHNOLOGY CO., LTD**, Shenzhen (CN)

(**) Term: **15 Years**

(21) Appl. No.: **29/705,925**

(22) Filed: **Sep. 17, 2019**

(51) **LOC (12) Cl.** **26-05**

(52) **U.S. Cl.**
USPC **D26/63; D26/67**

(58) **Field of Classification Search**
USPC D26/63, 67-70, 85
CPC .. F21S 8/081; F21S 8/083; F21S 8/088; F21S 9/03; F21S 9/032; F21S 9/035; F21V 21/0824; F21W 2111/02; F21W 2111/023; F21W 2131/109
See application file for complete search history.

(56) **References Cited**

U.S. PATENT DOCUMENTS

D209,076 S *	10/1967	Ortega	D26/63
D308,111 S *	5/1990	Banathy	D26/63
D370,070 S *	5/1996	Kay	D26/63
D550,880 S *	9/2007	Korpi	D26/63
D619,290 S *	7/2010	You	D26/63
D647,234 S *	10/2011	Izardel	D26/65
D732,219 S *	6/2015	Adams	D26/63
D778,478 S *	2/2017	Khubani	D26/63
D810,342 S *	2/2018	Chen	D26/68
D821,626 S *	6/2018	Hou	D26/69
D838,889 S *	1/2019	Liu	D26/63

D838,890 S *	1/2019	Xiong	D26/63
D841,858 S *	2/2019	Deng	D26/68
D848,045 S *	5/2019	Liao	D26/63
D848,046 S *	5/2019	Zhuo	D26/67
D851,798 S *	6/2019	Liu	D26/63
D851,799 S *	6/2019	Liu	D26/63
D852,398 S *	6/2019	Liu	D26/63
D867,644 S *	11/2019	Luo	D26/68

(Continued)

OTHER PUBLICATIONS

12 LED Solar Landscape Spotlights by LITOM sold at amazon.com Nov. 18, 2018. (Year: 2018).*

(Continued)

Primary Examiner — Clare E Heflin

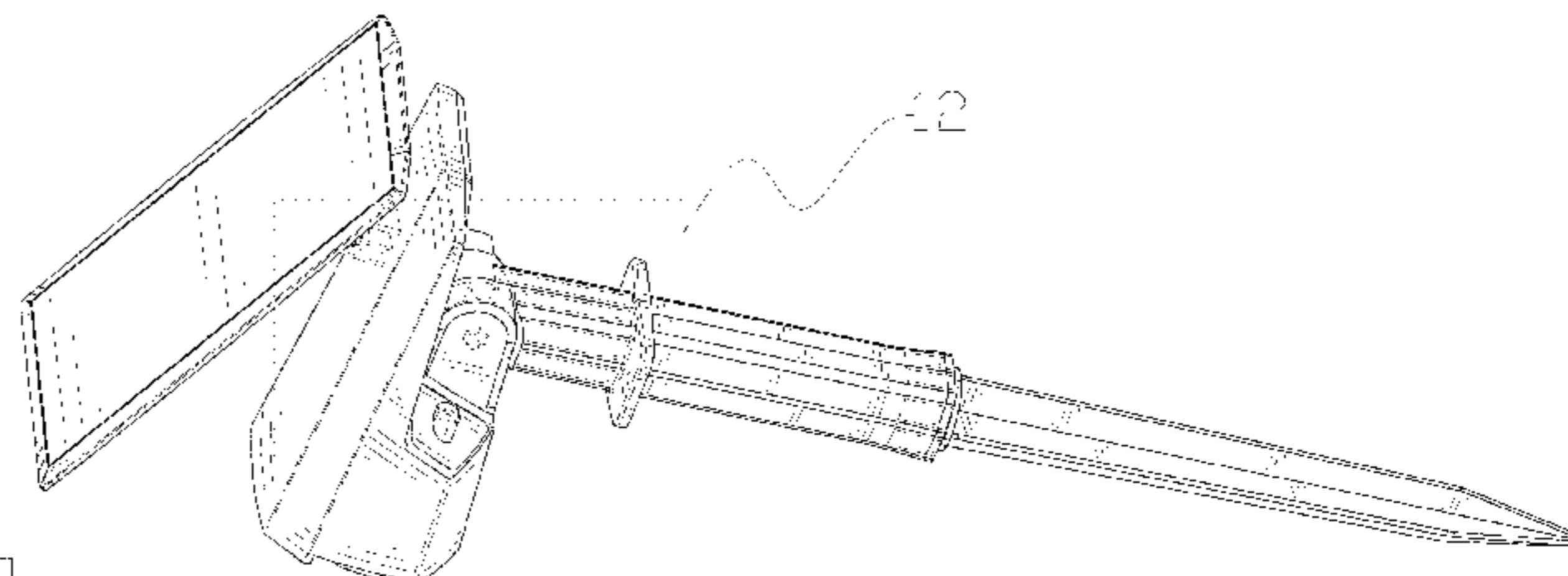
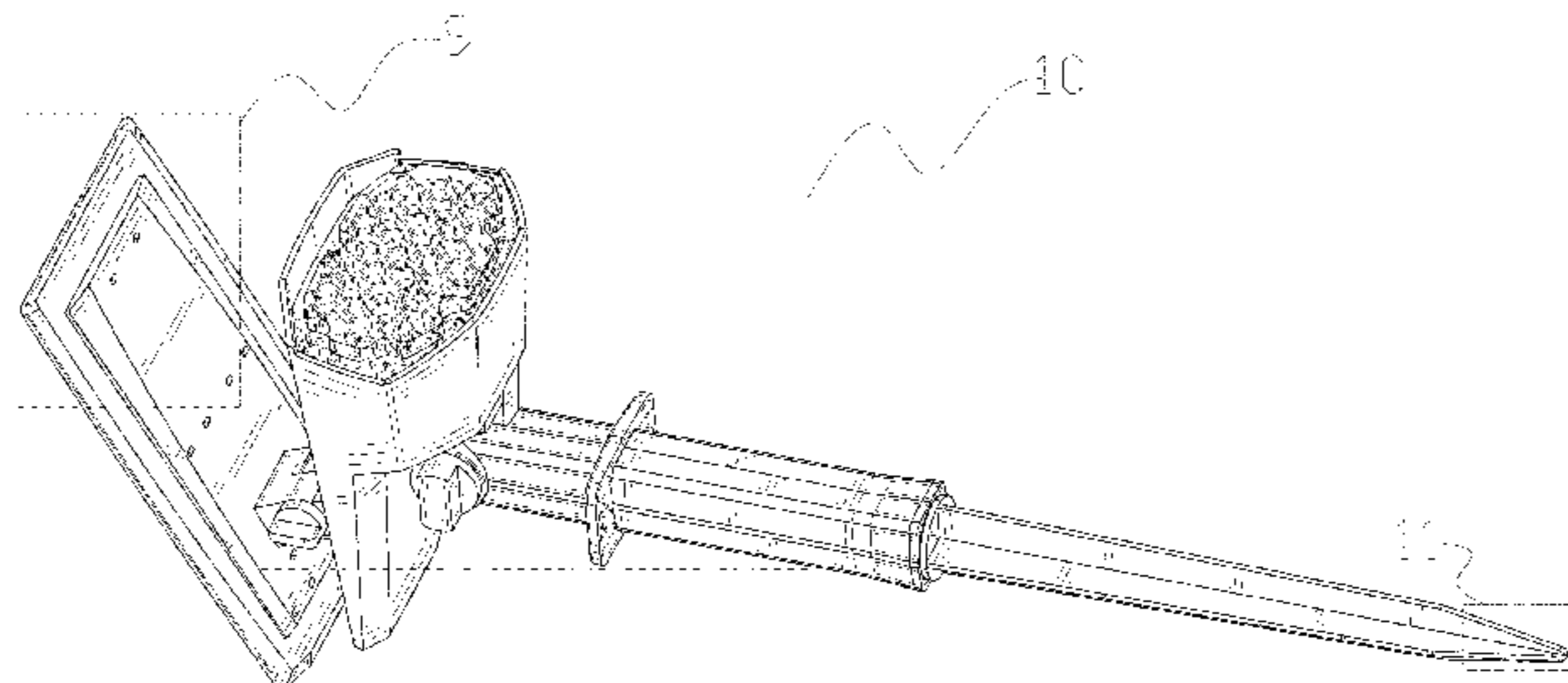
(57) **CLAIM**

The ornamental design for a solar lamp, as shown and described.

DESCRIPTION

FIG. 1 is a perspective view of a solar lamp showing my new design;
FIG. 2 is another perspective view thereof;
FIG. 3 is a front elevational view thereof;
FIG. 4 is a rear elevational view thereof;
FIG. 5 is a left side elevational view thereof;
FIG. 6 is a right side elevational view thereof;
FIG. 7 is a top plan view thereof;
FIG. 8 is a bottom plan view thereof;
FIG. 9 is an enlarged view of portion 9 shown in FIG. 1;
FIG. 10 is an enlarged view of portion 10 shown in FIG. 1;
FIG. 11 is an enlarged view of portion 11 shown in FIG. 1; and,
FIG. 12 is an enlarged view of portion 12 shown in FIG. 2.
The broken lines in the drawings depict portions of the solar lamp that form no part of the claimed design.

1 Claim, 12 Drawing Sheets



(56)

References Cited

U.S. PATENT DOCUMENTS

D868,330 S * 11/2019 Ji D26/63
2018/0283657 A1 * 10/2018 Xiong F21V 21/0824
2019/0346101 A1 * 11/2019 Chang A63H 27/10

OTHER PUBLICATIONS

Solar LED Landscape Lights by JESLED sold at amazon.com as early as Oct. 30, 2019. (Year: 2019).*

“LITOM 12 LED Solar Landscape Spotlights, IP67 Waterproof Solar Powered Wall Lights 2-in-1 Wireless Outdoor Solar Landscaping Lights for Yard Garden Driveway Porch Walkway Pool Patio 4 Pack Warm White”, Retrieved Sep. 17, 2019]. Retrieved from Internet, <https://www.amazon.com/dp/B07V6FW9L2/>.

“URPOWER Solar Lights, 2-in-1 Waterproof 4 LED Solar Spotlight Adjustable Wall Light Landscape Light Security Lighting Dark Sensing Auto On/Off for Patio Deck Yard Garden Driveway Pool Area(2 Pack)”, Retrieved Sep. 17, 2019]. Retrieved from Internet, <https://www.amazon.com/URPOWER-Waterproof-LED-Spotlight-Adjustable/dp/B012ZO93R4/>.

* cited by examiner

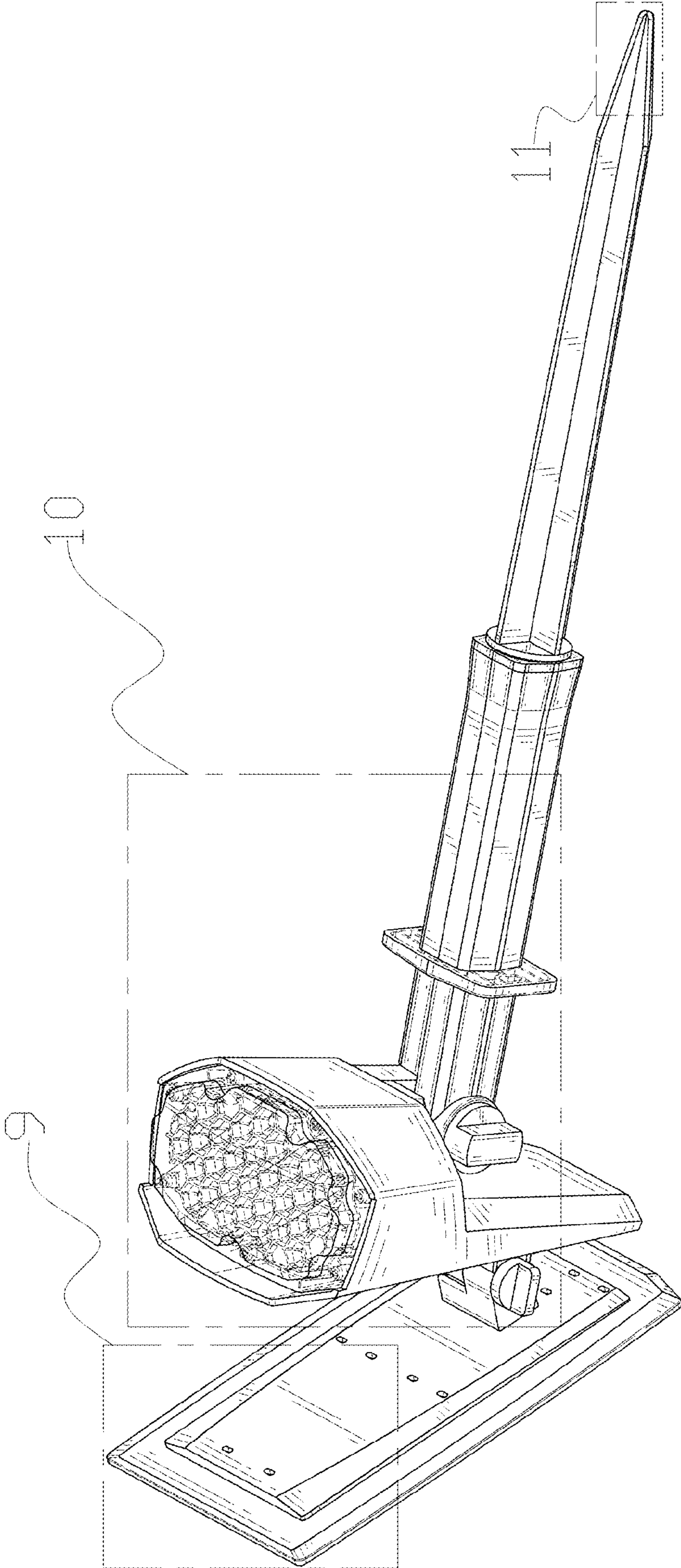


FIG. 1

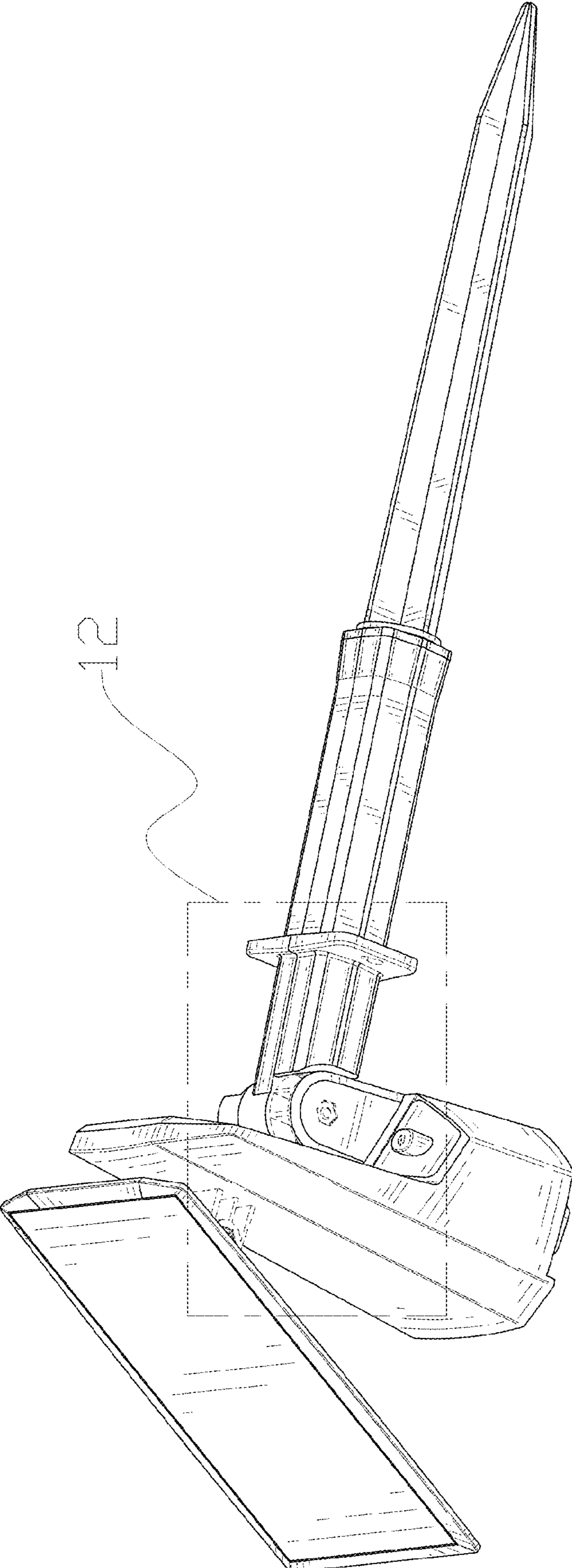


FIG. 2

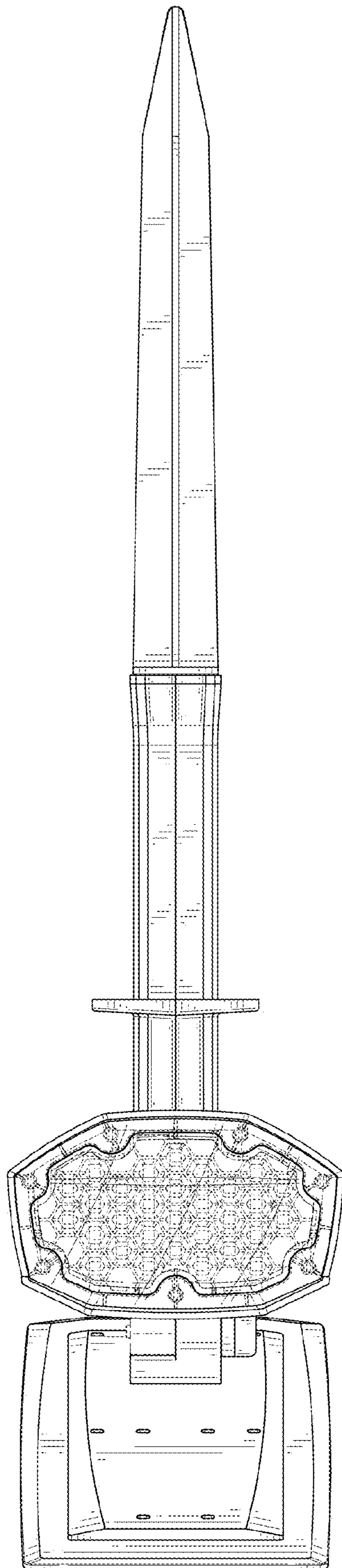


FIG. 3

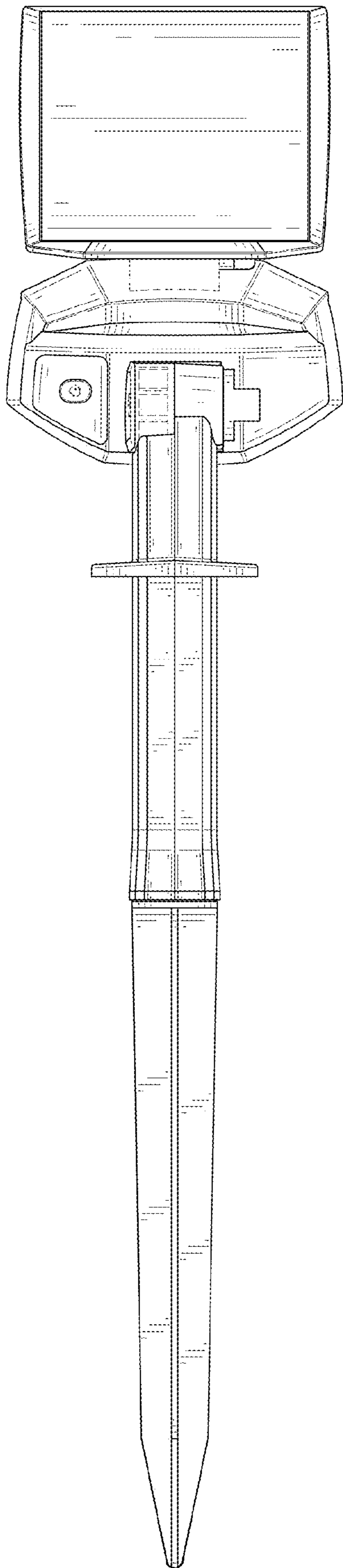


FIG. 4

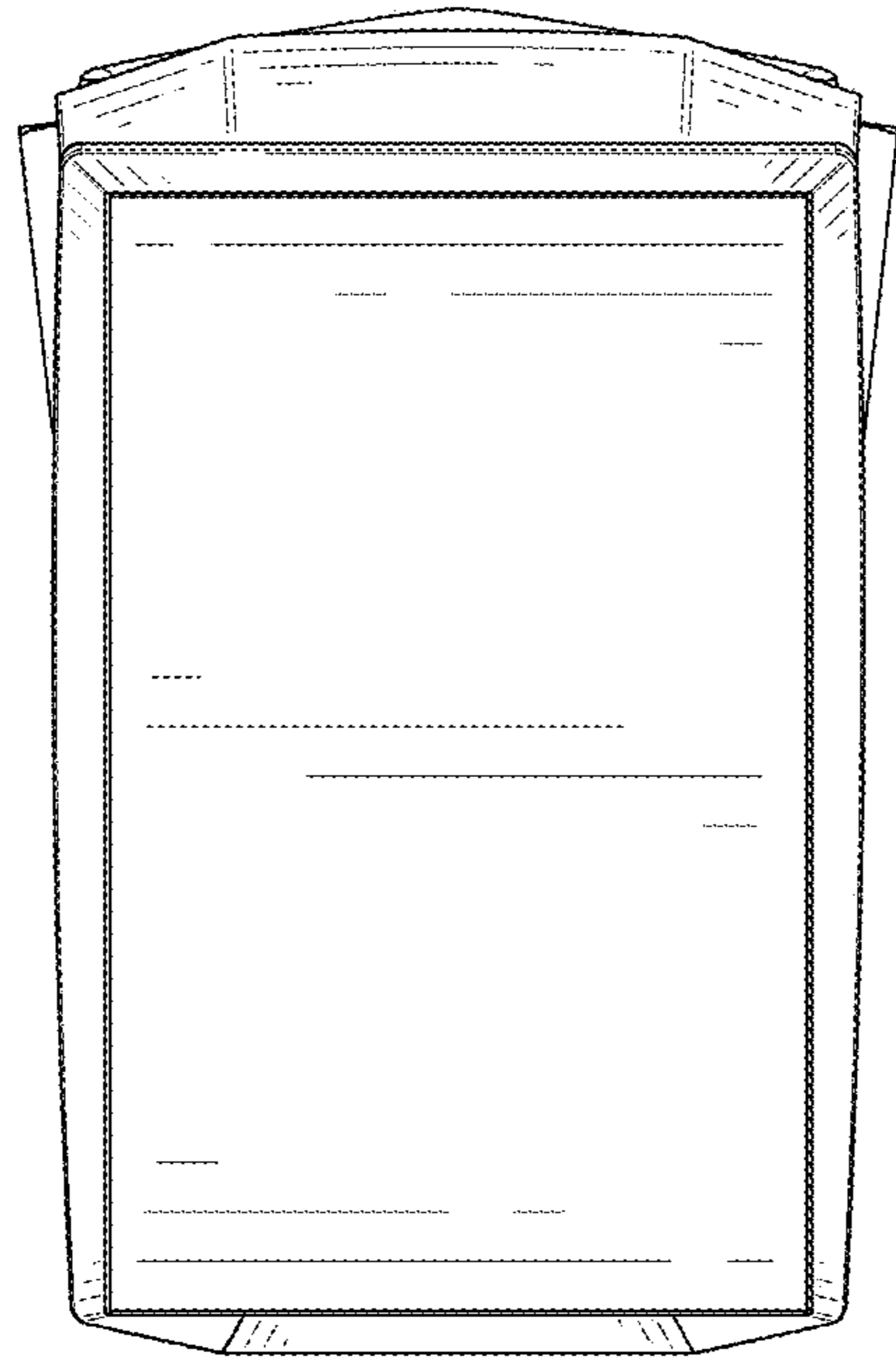


FIG. 5

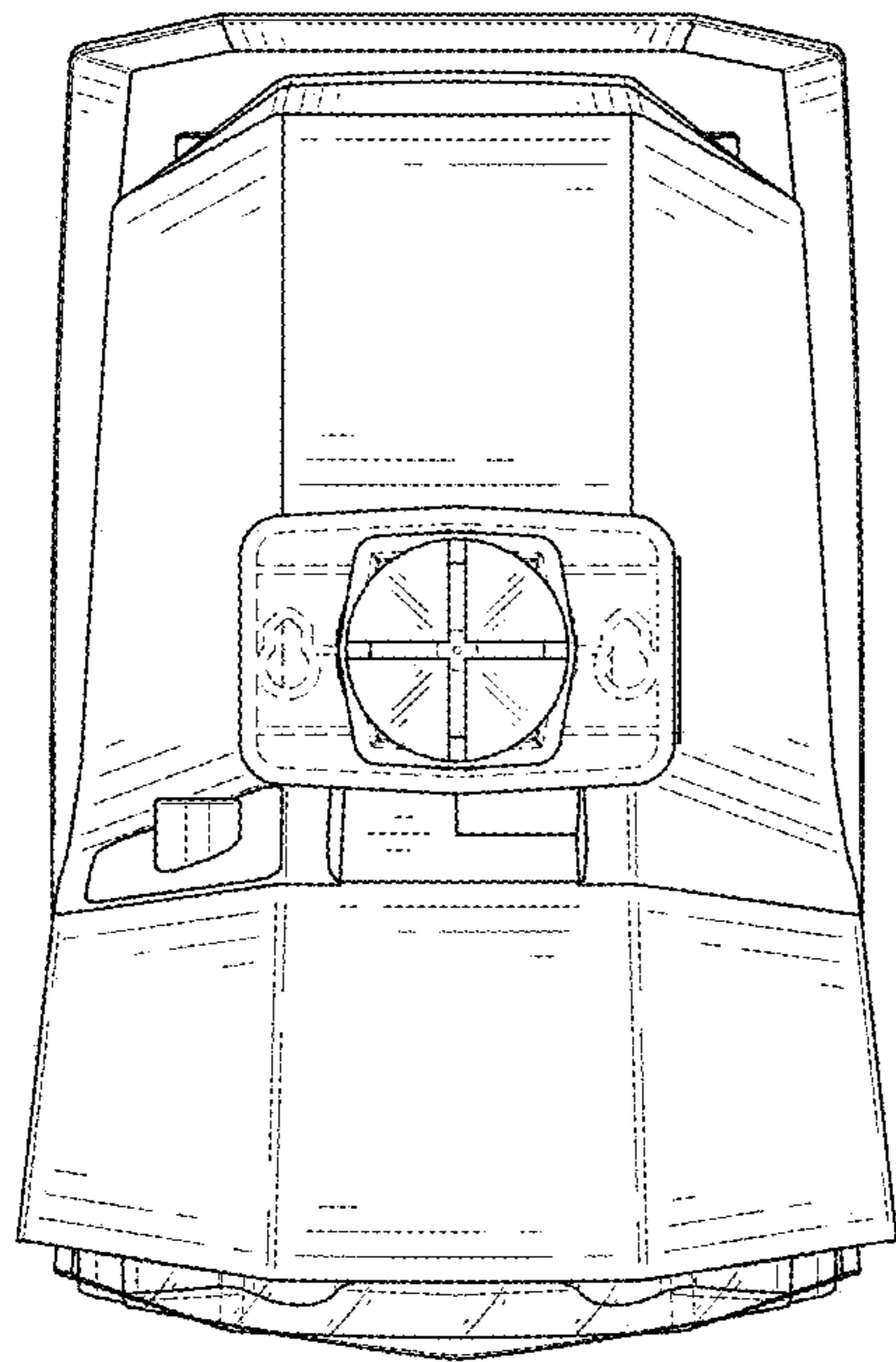


FIG. 6

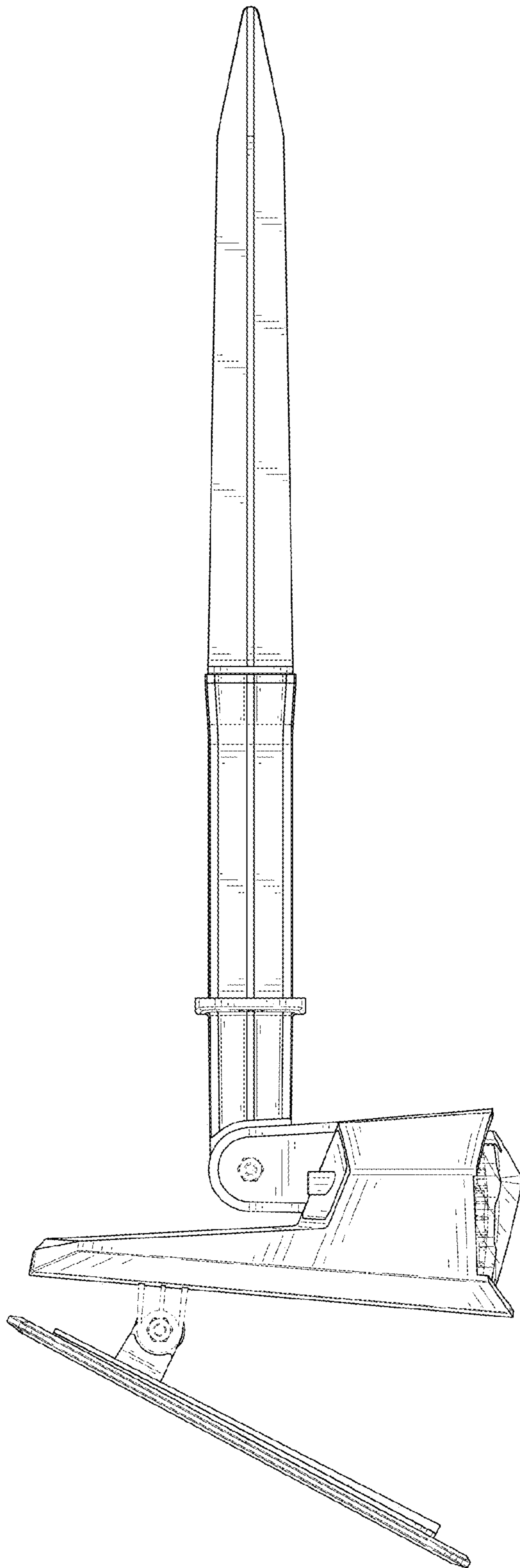


FIG. 7

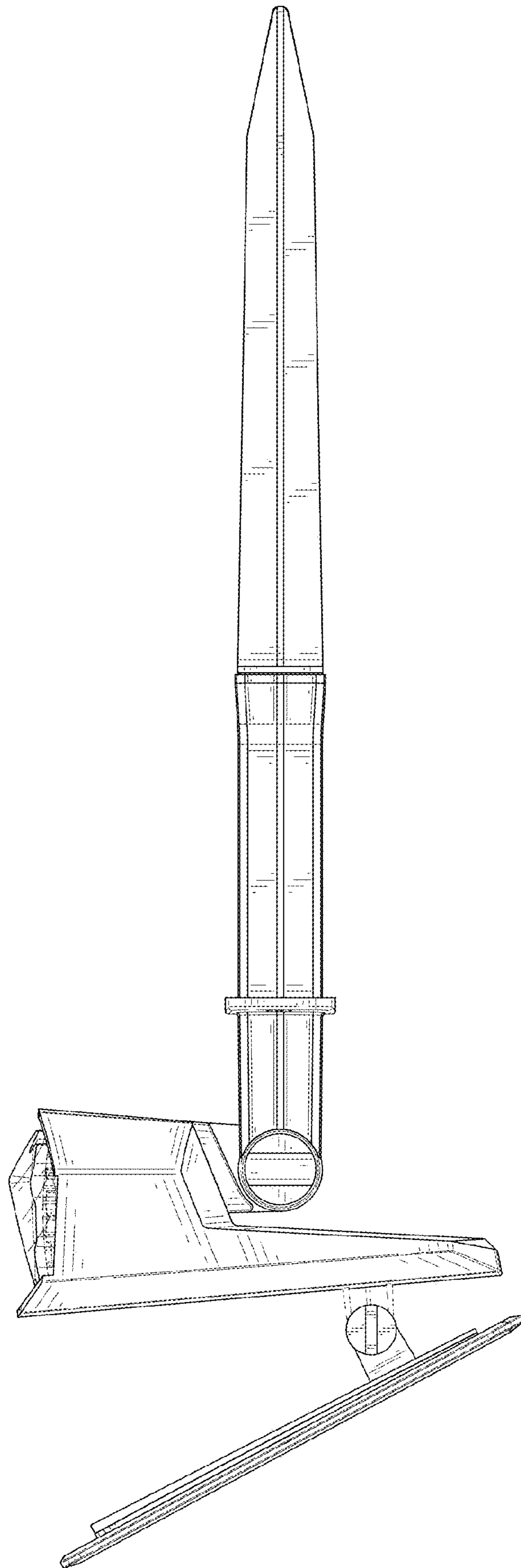


FIG. 8

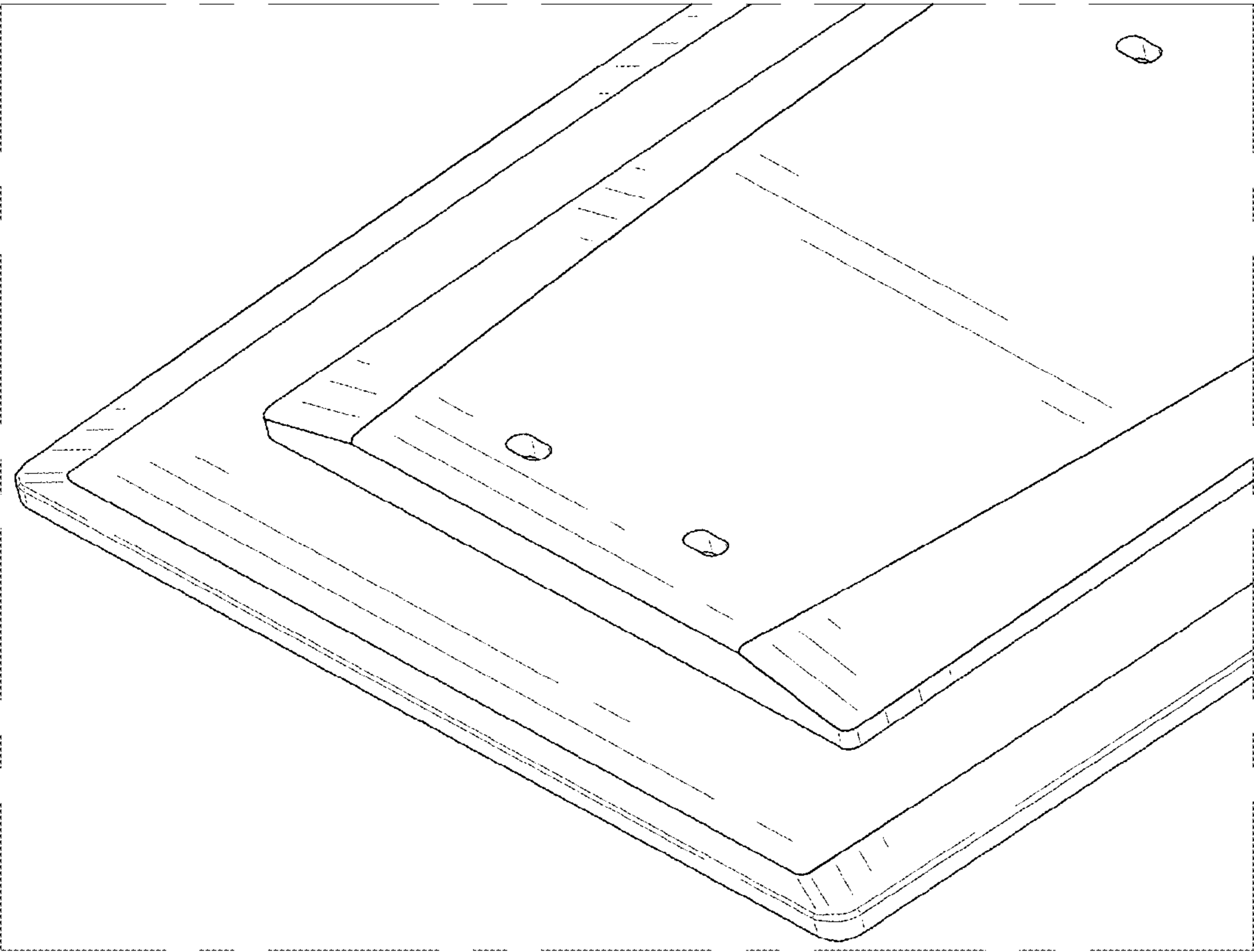


FIG. 9

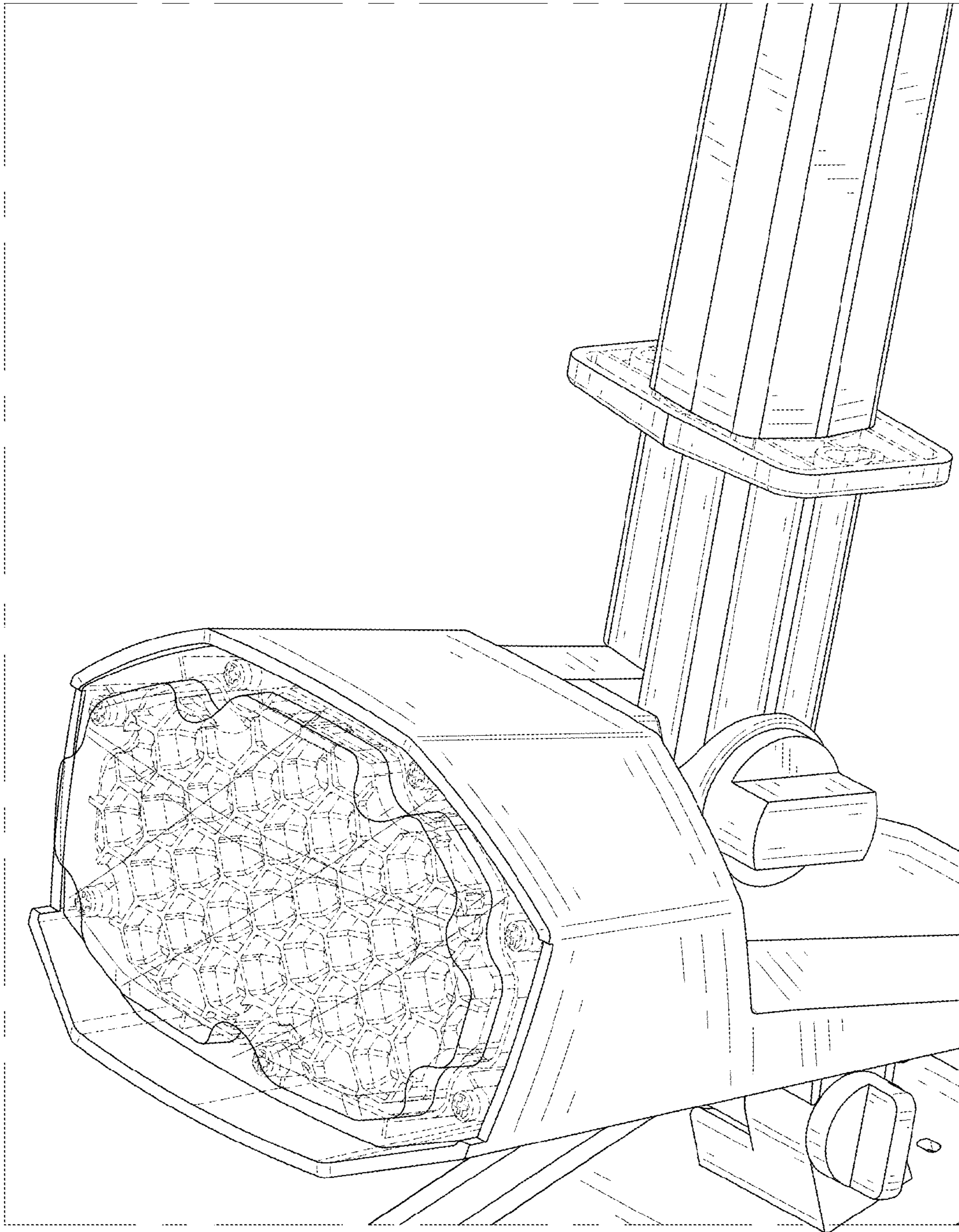


FIG. 10

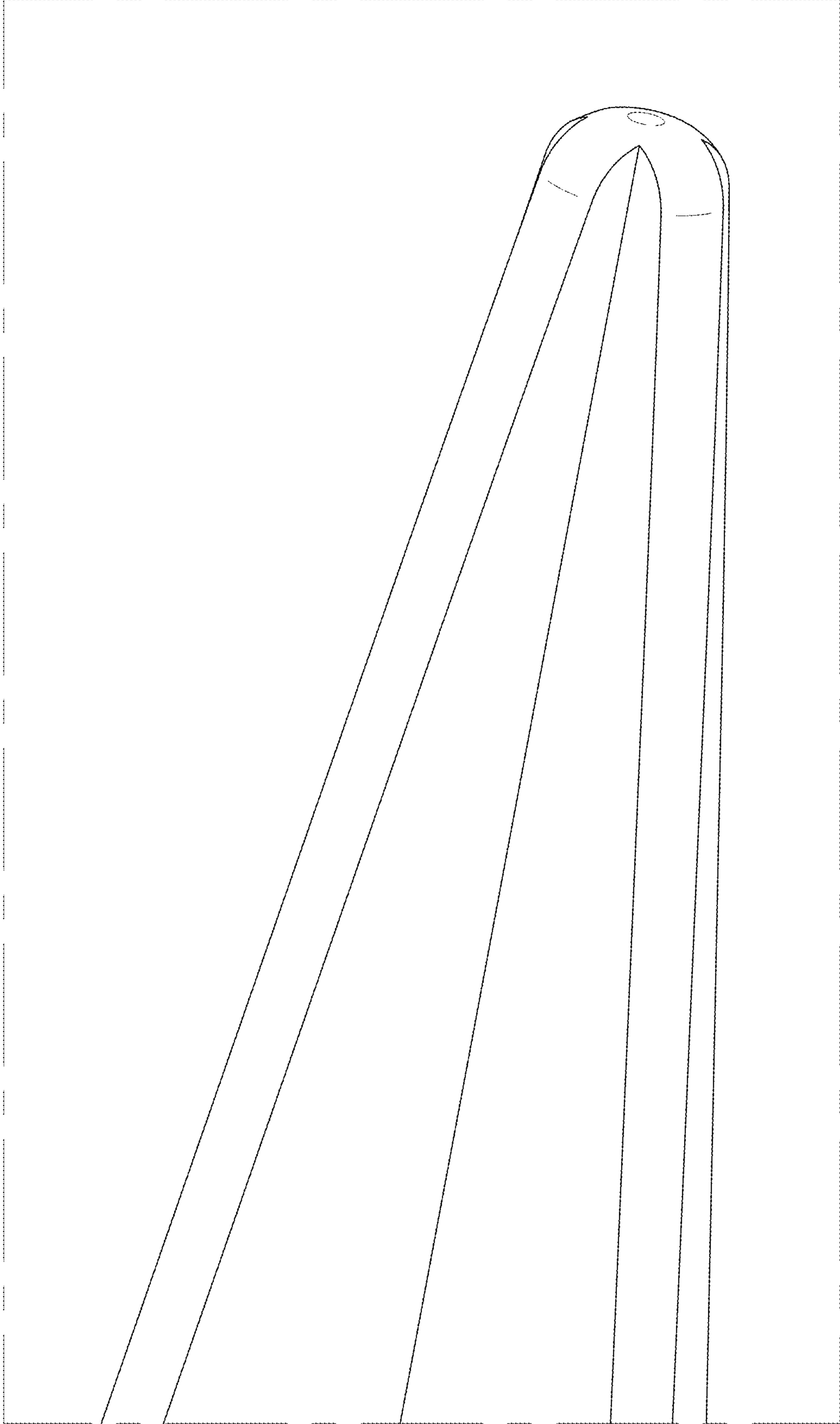


FIG. 11

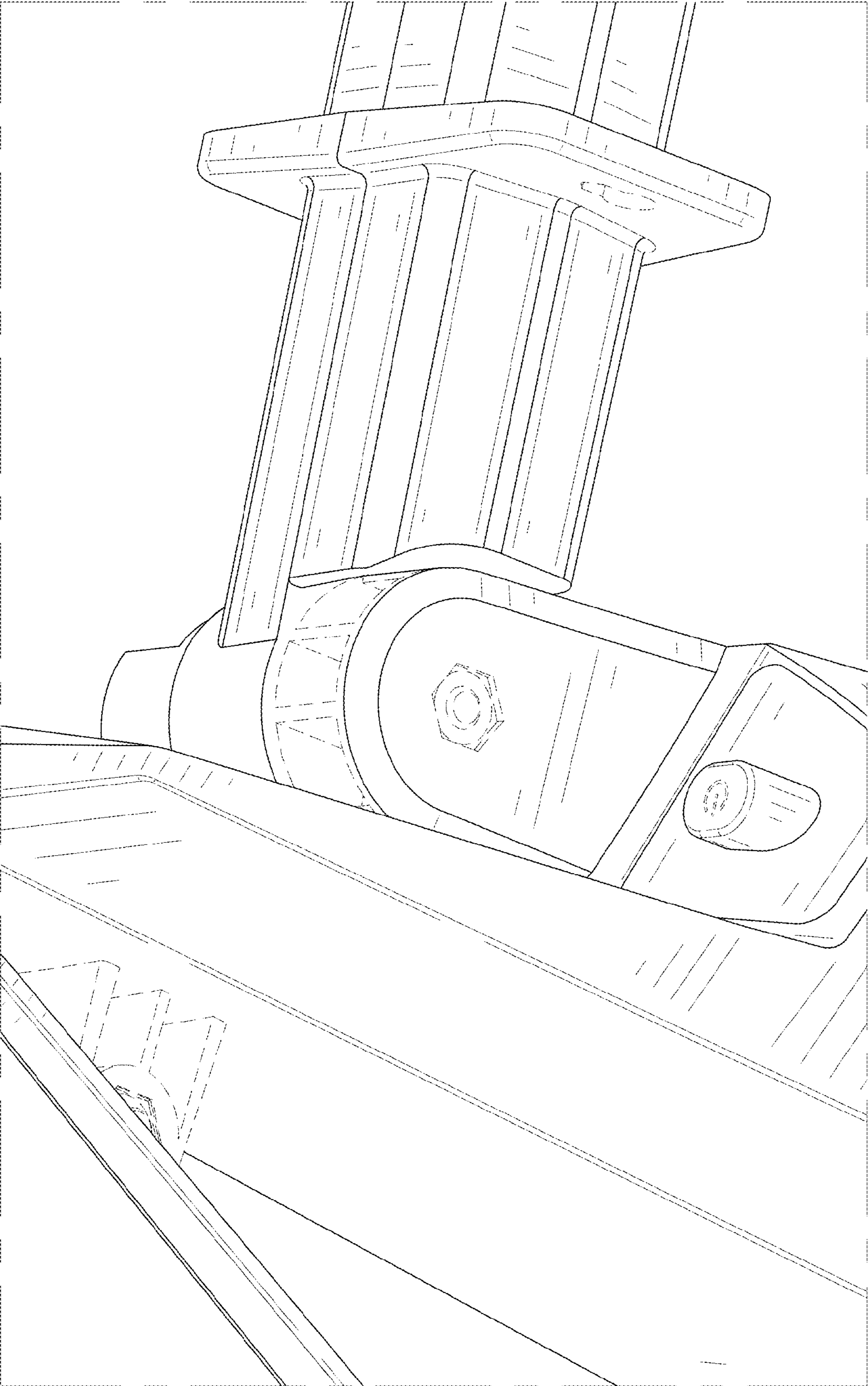


FIG. 12