



US00D875288S

(12) **United States Design Patent**
Holmes

(10) **Patent No.:** **US D875,288 S**

(45) **Date of Patent:** **** Feb. 11, 2020**

- (54) **CEILING FAN LIGHT KIT**
- (71) Applicant: **HUNTER FAN COMPANY**,
Memphis, TN (US)
- (72) Inventor: **Christine Holmes**, Memphis, TN (US)
- (73) Assignee: **Hunter Fan Company**, Memphis, TN
(US)
- (**) Term: **15 Years**
- (21) Appl. No.: **29/619,325**
- (22) Filed: **Sep. 28, 2017**

- D462,756 S 9/2002 Liu
- D464,722 S 10/2002 Sonneman
- D476,406 S 6/2003 Friedes
- D476,411 S 6/2003 Friedes
- D510,622 S 10/2005 Tai
- D514,695 S 2/2006 Badarello
- D516,200 S 2/2006 Pickett
- D517,197 S 3/2006 Pickett
- D517,675 S 3/2006 Young
- D521,625 S 5/2006 Young
- D525,696 S * 7/2006 Ertze D23/377
- D555,239 S 11/2007 Shurtleff

(Continued)

Related U.S. Application Data

- (62) Division of application No. 29/588,573, filed on Dec. 21, 2016, now Pat. No. Des. 808,002.
- (51) **LOC (12) Cl.** **26-05**
- (52) **U.S. Cl.**
USPC **D26/59**
- (58) **Field of Classification Search**
USPC ... D26/59, 24, 118, 119, 121–124, 128–137;
D23/370, 377–382, 411–414
CPC F04D 25/088; F04D 29/38; F21V 21/03
See application file for complete search history.

References Cited

U.S. PATENT DOCUMENTS

- D298,454 S 11/1988 Clyde-Mason
- D325,776 S 4/1992 Scofield et al.
- D345,790 S 4/1994 Caldwell
- D411,615 S 6/1999 Lo
- D428,982 S 8/2000 Oldenburg
- D430,280 S 8/2000 Huang
- D430,930 S 9/2000 Zuege
- D435,289 S 12/2000 Liu
- D449,396 S 10/2001 Campbell
- D451,191 S 11/2001 Goodman

OTHER PUBLICATIONS

<http://www.hunterfan.com/Ceiling-Fans/Perdido-Key?ModelNumber=59276>, Item Specification for Hunter 54" Perdido Key CAN—54" Ceiling Fan, Accessed Oct. 28, 2016.

(Continued)

Primary Examiner — Janice Hallmark

(74) *Attorney, Agent, or Firm* — McGarry Bair PC

(57)

CLAIM

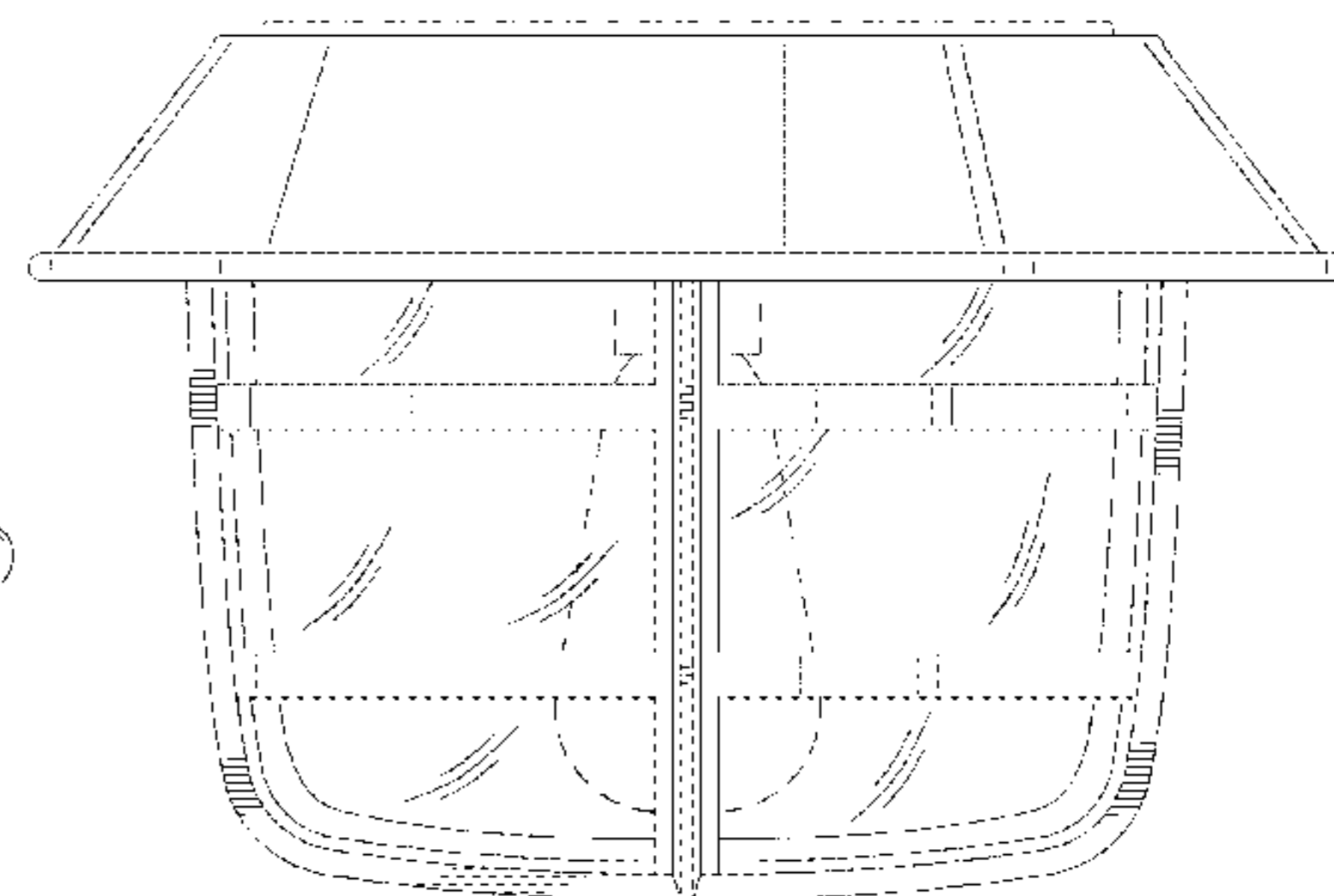
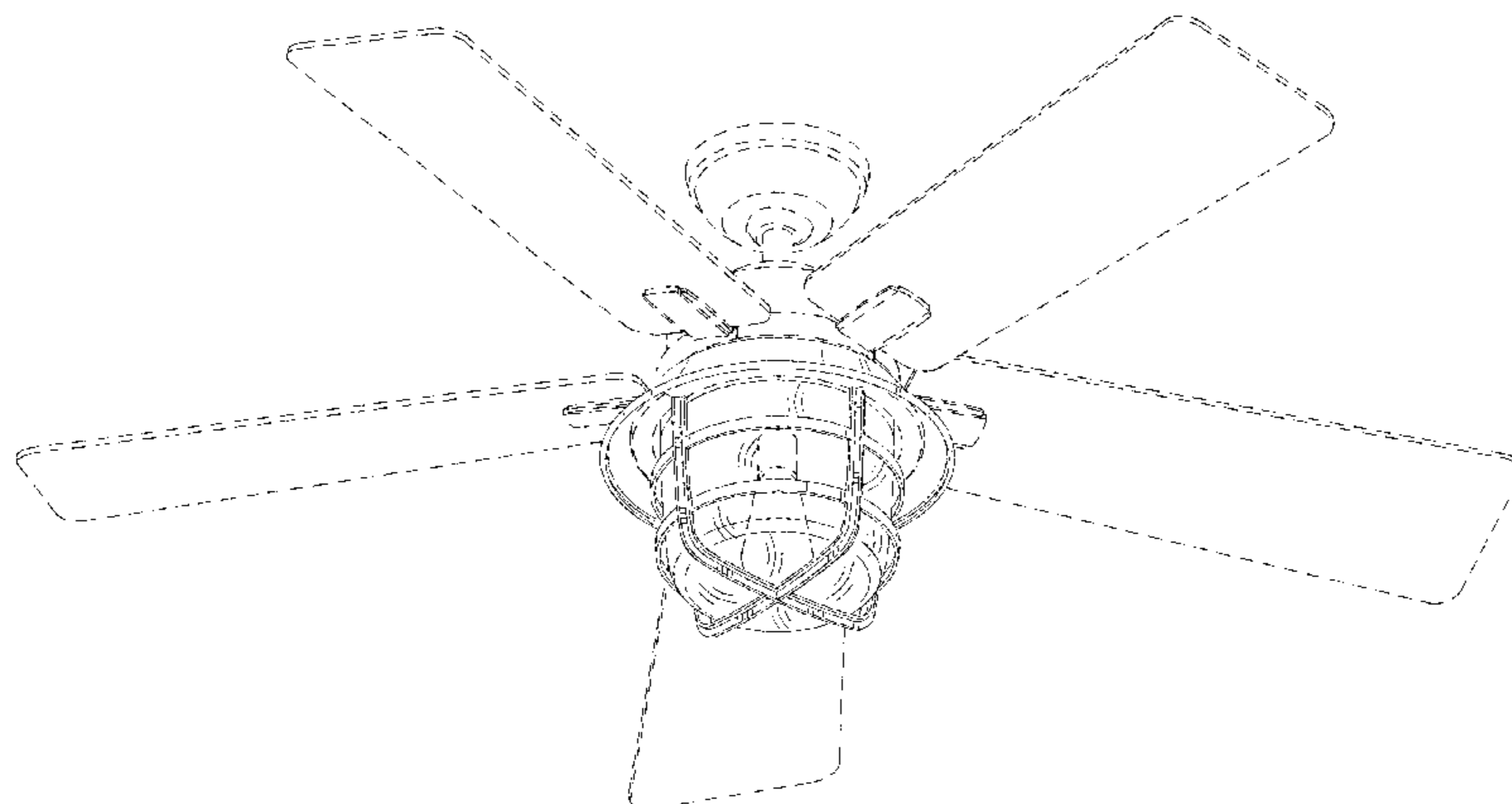
The ornamental design for a ceiling fan light kit, as shown and described.

DESCRIPTION

FIG. 1 is a bottom perspective view of a ceiling fan light kit showing my new design in the environment of a ceiling fan; FIG. 2 is a top perspective view thereof; FIG. 3 is a top view thereof; FIG. 4 is a bottom view thereof; and, FIG. 5 is a side view thereof.

The broken lines showing a ceiling fan in FIG. 1 illustrate environmental subject matter only and form no part of the claimed design. All other broken lines depict portions of the ceiling fan light kit that form no part of the claimed design.

1 Claim, 5 Drawing Sheets



(56)

References Cited

U.S. PATENT DOCUMENTS

D574,945 S 8/2008 Hidalgo
 D580,044 S * 11/2008 Ertze D23/413
 D704,819 S 5/2014 Wang
 D704,822 S 5/2014 Wang
 D710,489 S 8/2014 Shurtleff
 D732,157 S 6/2015 Lin et al.
 D804,635 S * 12/2017 Holmes D23/377
 D804,638 S * 12/2017 Guthrie D23/377
 D805,173 S * 12/2017 Vajen Habig D23/377
 D805,182 S * 12/2017 Pickett D23/411
 D806,852 S * 1/2018 Holmes D23/377
 D808,002 S * 1/2018 Holmes D23/377
 D810,918 S * 2/2018 Holmes D23/377
 D814,011 S * 3/2018 McRoberts D23/377
 D818,104 S * 5/2018 Holmes D23/377
 D821,009 S * 6/2018 Holmes D26/59
 D821,010 S * 6/2018 Holmes D26/59
 D823,512 S * 7/2018 Vajen Habig D26/59
 D825,086 S * 8/2018 Holmes D26/59
 D834,172 S * 11/2018 Guthrie D23/411
 D855,873 S * 8/2019 Hagggar D26/119
 D857,978 S * 8/2019 Fan D26/119
 D859,628 S * 9/2019 Yang D23/377
 D859,630 S * 9/2019 Puerto D23/385
 D861,218 S * 9/2019 Yang D26/59
 2005/0207140 A1 9/2005 Srass et al.

OTHER PUBLICATIONS

<http://www.homedepot.com/p/Hampton-Bay-Devereaux-II-52-in-Oil-Rubbed-Bronze-Ceiling-Fan-AL685-ORB/203244862>, Item Specification for Hampton Bay Devereaux II 52 in. Oil-Rubbed Bronze Ceiling Fan, Accessed Oct. 28, 2016.
<http://www.hunterfan.com/Ceiling-Fans/Ivy-Creek?ModelNumber=59277>, Item Specification for Hunter Ivy Creek—52" ceiling Fan, Accessed Oct. 28, 2016.
<http://www.hunterfan.com/Ceiling-Fans/Key-Biscayne?ModelNumber=59135>, Item Specification for Hunter Key Biscayne—54" Ceiling Fan, Accessed Oct. 28, 2016.
<http://ceilingfans.emerson.com/shop/en/fan/fan-s-all/fans-s-browse-all/maui-bay-fan-p-cf2000>, Item Specification for Emerson Maui Bay—52" Ceiling Fan, Accessed Oct. 28, 2016.
<http://www.fanimation.com/products/index.php/fans/kaya.html>, Item Specification for Fanimation Kaya Ceiling Fan, Accessed Oct. 28, 2016.
<http://www.kichler.com/products/product/52-inch-chicago-fan-tzg-300001tzm.aspx>, Item Specification for Kichler Chicago Collection 52 Inch Chicago Fan TZG, Accessed Oct. 28, 2016.
<http://www.montecarlofans.com/32990/52-Morton-Oil-Rubbed-Bronze-5MB52OZD.html>, Item Specification for Monte Carlo 52" Morton—Oil Rubbed Bronze, Accessed Oct. 28, 2016.
<http://www.homedepot.com/p/Hampton-Bay-Metro-54-in-Rustic-Copper-Indoor-Outdoor-Ceiling-Fan-34342/202075572>, Item Speci-

fication for Hampton Bay Metro 54 in. Rustic Copper Indoor/Outdoor Ceiling Fan, Accessed Oct. 28, 2016.
<http://www.craftmade.com/Craftmade-MOR54ESP3-Espresso-Ceiling-Fan.HTM>, Item Specification for Craftmade MOR54ESP3—Moorestad, Accessed Oct. 28, 2016.
<http://www.minkagroup.net/products/f582-ORB>, Item Specification for Minka Aire F582-Orb 52" Rainman, Accessed Oct. 28, 2016.
<http://www.craftmade.com/Craftmade-OLK13CFL-FB-Flat-Black-Outdoor-Light-Kit.HTM>, Item Specification for Craftmade OLK13CFL-FB, Accessed Oct. 28, 2016.
<http://www.craftmade.com/Craftmade-OLK200CFL-RI-Rustic-Iron-Ceiling-Fan-Light-Kit.HTM>, Item Specification for Craftmade OLK200CFL-RI, Accessed Oct. 28, 2016.
<http://www.craftmade.com/Craftmade-OLK67CFL-OB-Oiled-Bronze-Outdoor-Light-Kit.HTM>, Item Specification for Craftmade OLK67CFL-OB, Accessed Oct. 28, 2016.
<http://www.modernfan.com/products/pharos.html>, Item Specification for Pharos, Accessed Oct. 28, 2016.
<http://www.montecarlofans.com/32467/52-Aviary-Dark-Bronze-4AIR52DBD.html>, Item Specification for Monte Carlo 52" Aviary—Dark Bronze, Accessed Oct. 28, 2016.
[http://www.montecarlofans.com/22172/52-Burnet-Outdoor-Fan---Roman-Bronze-\(Wet-Rated\)-5BR52RBD.html](http://www.montecarlofans.com/22172/52-Burnet-Outdoor-Fan---Roman-Bronze-(Wet-Rated)-5BR52RBD.html), Item Specification for Monte Carlo 52" Burnet Outdoor Fan—Roman Bronze (Wet Rated), Accessed Oct. 28, 2016.
<http://www.homedepot.com/p/Hampton-Bay-Glacier-Bay-52-in-Indoor-Outdoor-Rustic-Copper-Ceiling-Fan-14938/202790702>, Item Specification for Hampton Bay Glacier Bay 52in. Indoor/Outdoor Rustic Copper Ceiling Fan, Accessed Oct. 28, 2016.
<http://www.homedepot.com/p/Hampton-Bay-North-Shoreline-46-in-Natural-Iron-Indoor-Outdoor-Ceiling-Fan-with-Light-Kit-51546/205643117>, Item Specification for Hampton Bay North Shoreline 46 in. Natural Iron Indoor/Outdoor Ceiling Fan with Light Kit, Accessed Oct. 28, 2016.
<https://www.lowes.com/pd/Harbor-Breeze-Merrimack-52-in-Antique-Bronze-Downrod-Mount-Indoor-Outdoor-Ceiling-Fan-with-Light-Kit-and-Remote/4165863>, Item Specification for Harbor Breeze Merrimack 52-in Antique Bronze Downrod Mount Indoor/Outdoor Ceiling Fan with Light Kit and Remote, Accessed Oct. 28, 2016.
<http://www.hunterfan.com/Ceiling-Fans/Mayford?ModelNumber=59205>, Item Specification for Hunter Mayford—54" Ceiling Fan, Accessed Oct. 28, 2016.
<http://arcadianhome.com/CM-B552C-CR>, Item Specification for Craftmade Contour Series 52" Type 2 Blades—CM-B552C-CR, Accessed Oct. 28, 2016.
<http://www.fanimation.com/products/index.php/22-inch-breckenfield-composite-blade-set.html>, Item Specification for Fanimation 22 Inch Breckenfield Composite Blade Set, Accessed Oct. 28, 2016.
<https://www.lowes.com/pd/Hunter-Allegheny-52-in-New-Bronze-Flush-Mount-Indoor-Outdoor-Ceiling-Fan-with-Light-Kit/3819969>, Hunter Allegheny 52-in. New Bronze Flush Mouny Indoor/Outdoor Ceiling Fan with Light Kit, accessed Apr. 6, 2018.

* cited by examiner

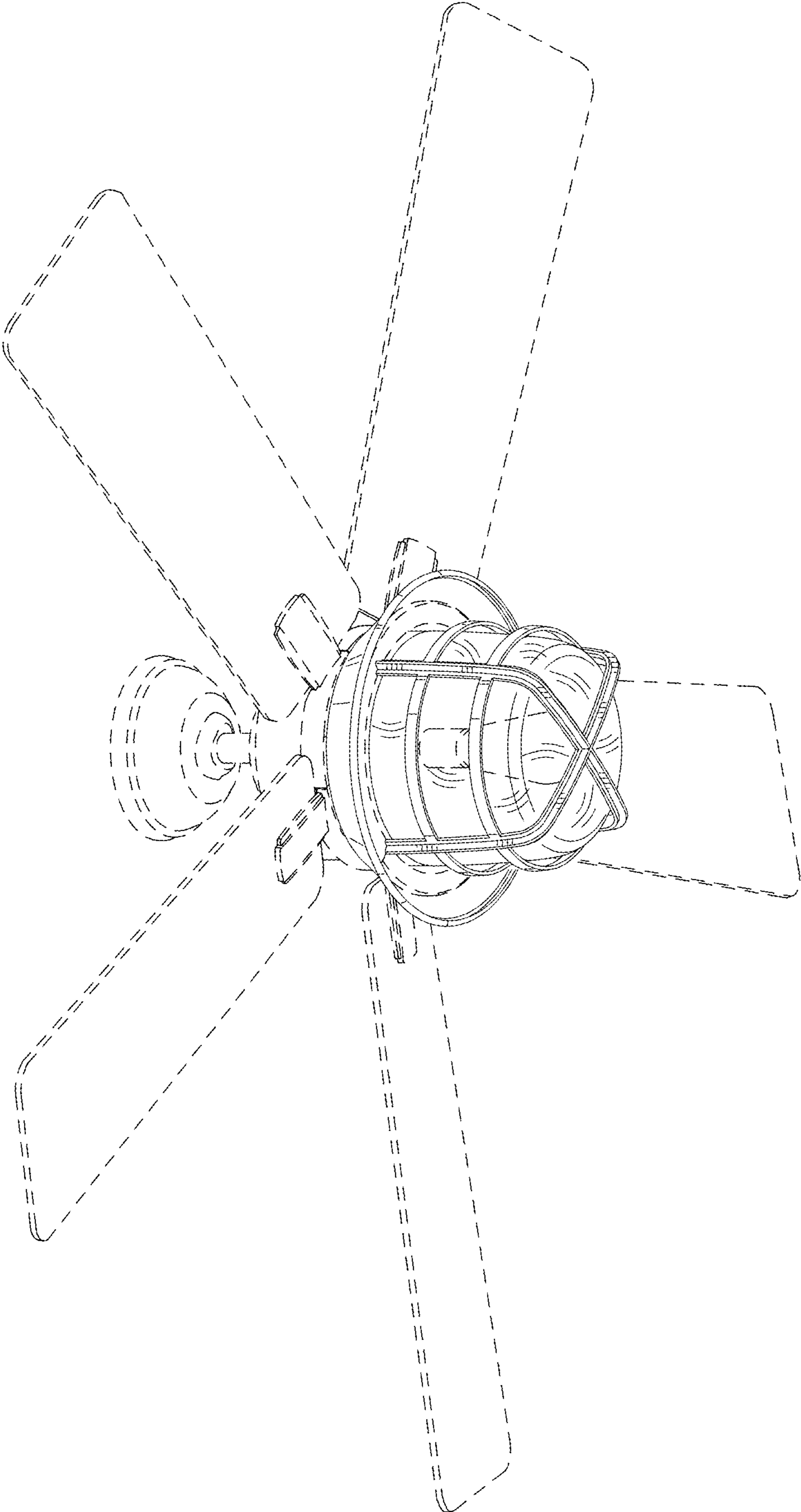


FIG. 1

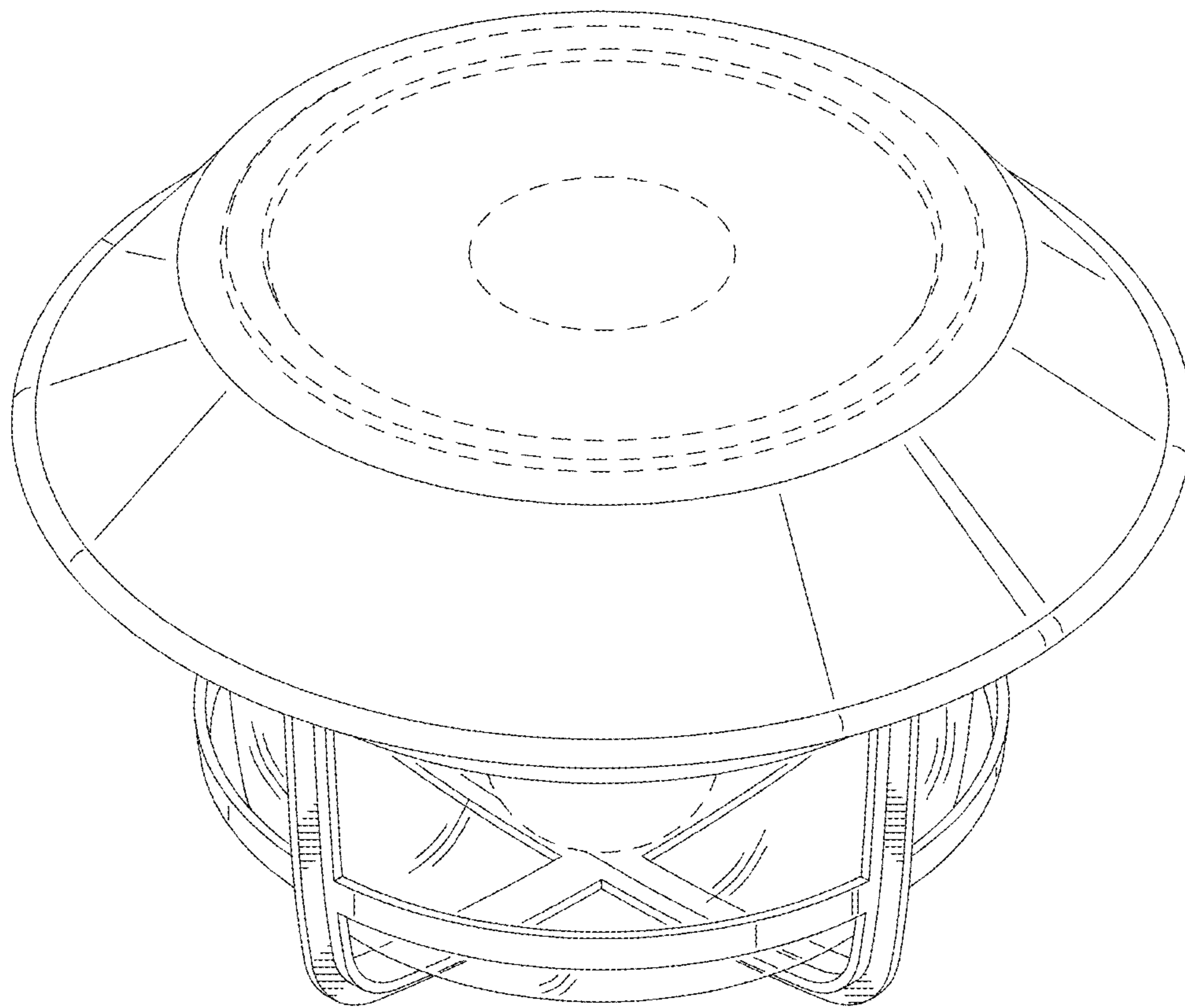


FIG.2

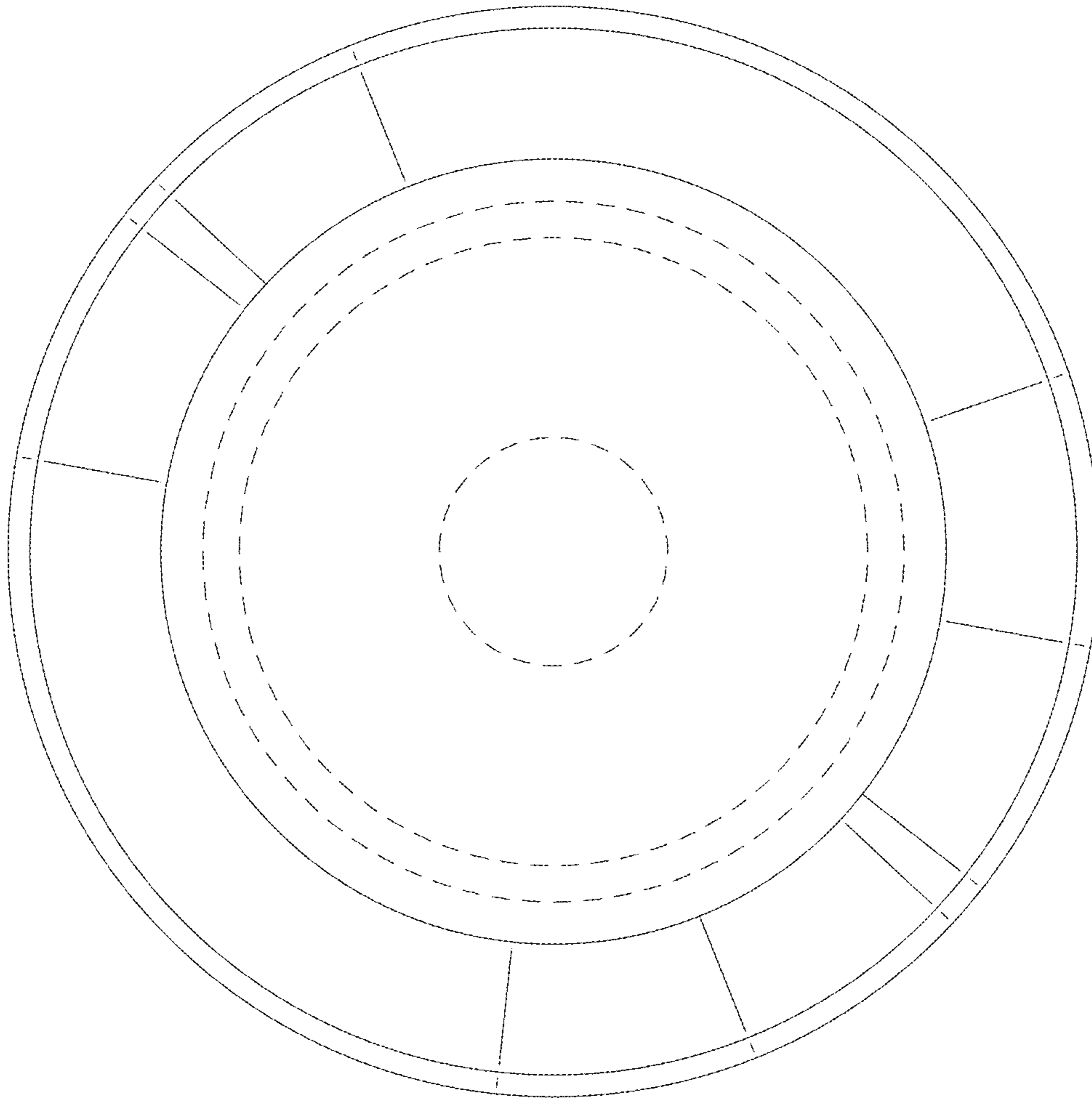


FIG. 3

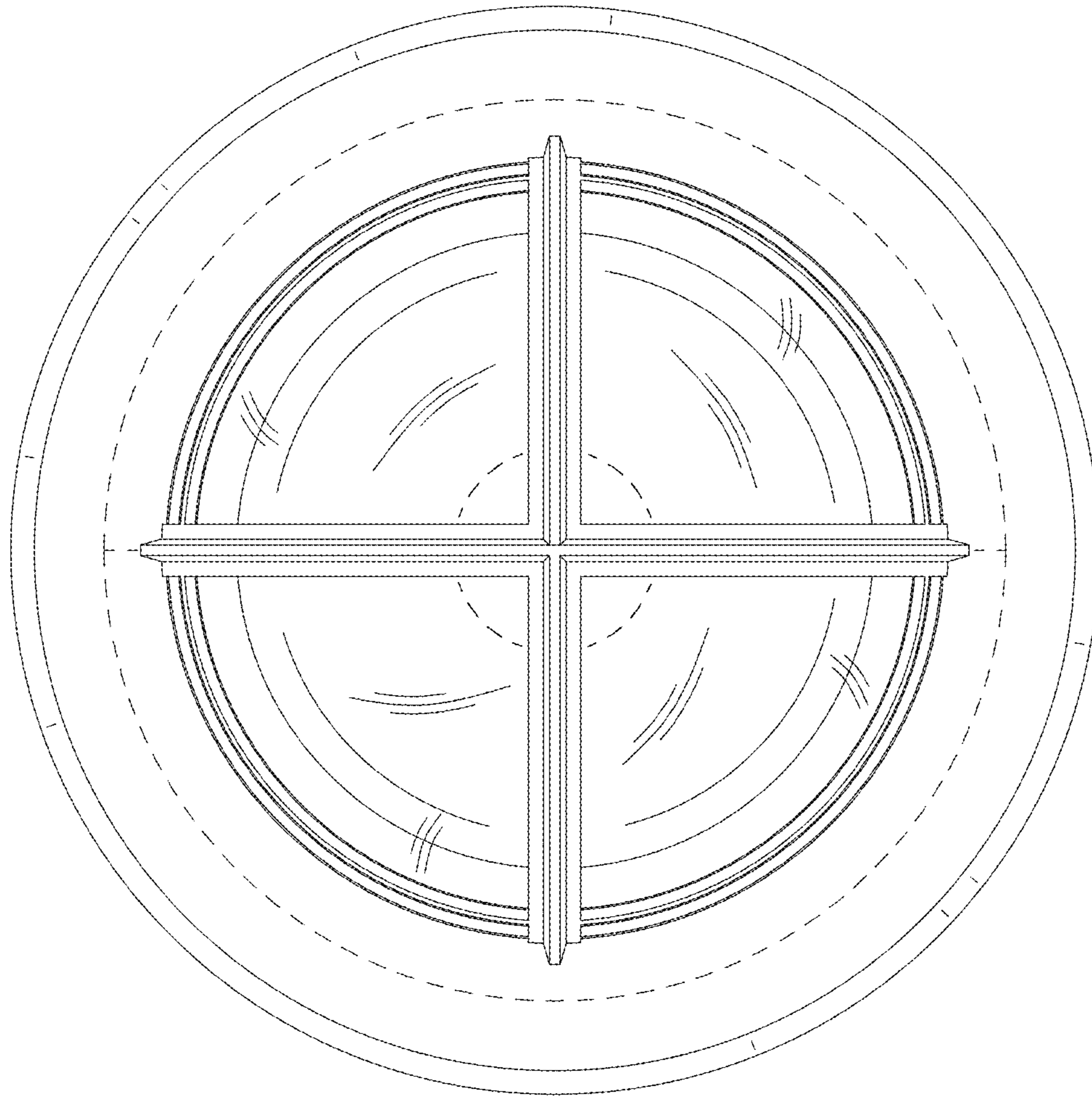


FIG.4

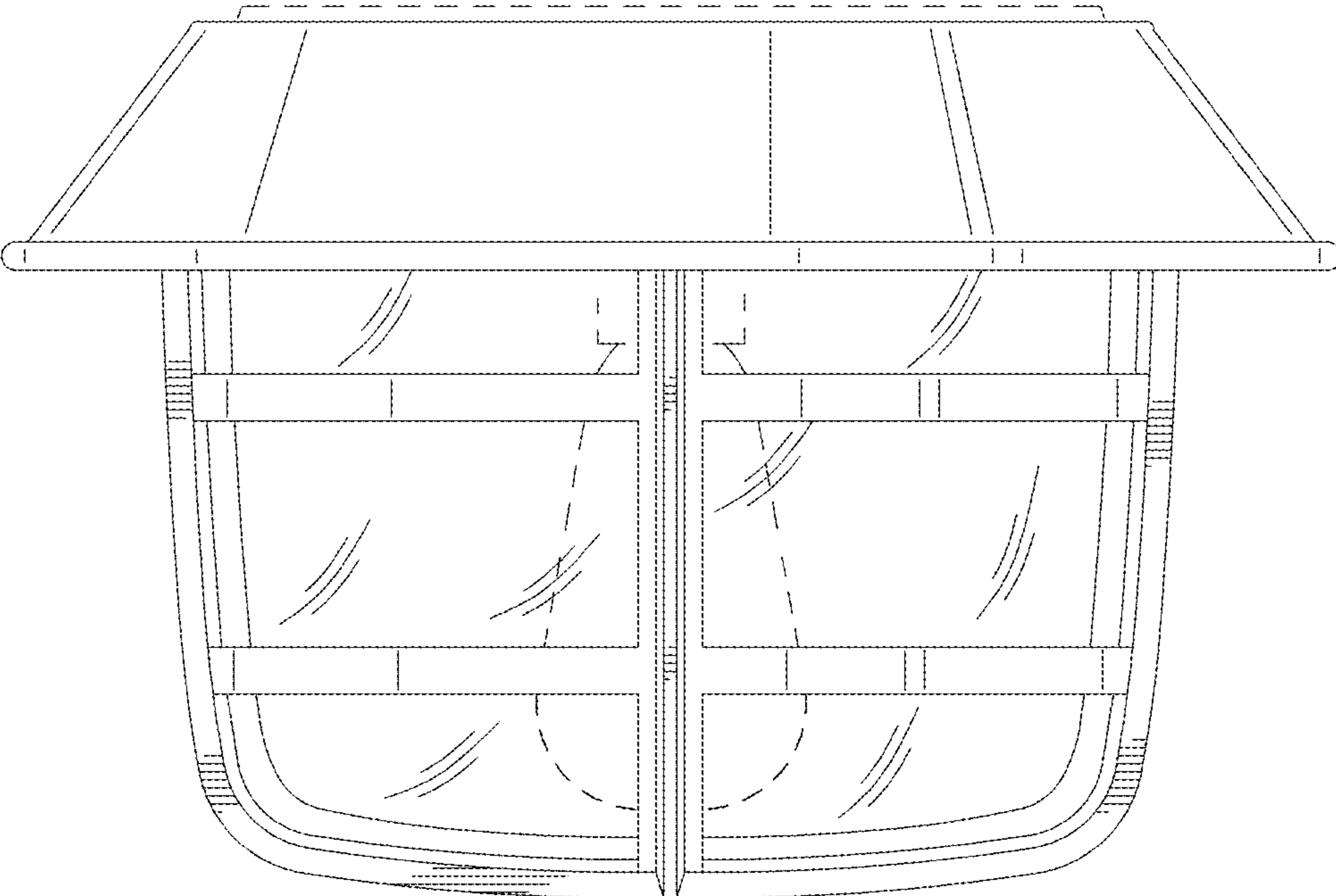


FIG. 5