



US00D875287S

(12) **United States Design Patent**  
**Inskeep et al.**

(10) **Patent No.:** **US D875,287 S**

(45) **Date of Patent:** **\*\* \*Feb. 11, 2020**

(54) **FLASHLIGHT**

(71) Applicant: **Vector Products, Inc.**, Boca Raton, FL (US)

(72) Inventors: **Mathew Inskeep**, Highland Beach, FL (US); **Ling To Shum**, Boca Raton, FL (US)

(73) Assignee: **VECTOR PRODUCTS, INC.**, Boca Raton, FL (US)

(\*) Notice: This patent is subject to a terminal disclaimer.

(\*\*) Term: **15 Years**

(21) Appl. No.: **29/642,977**

(22) Filed: **Apr. 3, 2018**

(51) **LOC (12) Cl.** ..... **26-02**

(52) **U.S. Cl.**  
USPC ..... **D26/49**

(58) **Field of Classification Search**  
USPC ..... D26/37-51  
CPC ..... F21L 2003/00; F21L 4/00; F21L 4/005;  
F21L 4/02; F21L 4/025; F21L 4/027;  
F21L 4/04; F21L 4/08; F21L 2005/00;  
F21L 7/00; F21L 11/00; F21L 13/00;  
F21L 13/04; F21L 13/08; F21L 14/02;  
F21L 17/00; F21L 19/00; F21L 25/00  
See application file for complete search history.

(56) **References Cited**

**U.S. PATENT DOCUMENTS**

D502,277 S \* 2/2005 Chen ..... D26/49  
D709,232 S \* 7/2014 Inskeep ..... D26/49  
D709,233 S \* 7/2014 Inskeep ..... D26/49

D709,234 S \* 7/2014 Inskeep ..... D26/49  
D716,984 S \* 11/2014 Inskeep ..... D26/49  
D724,247 S \* 3/2015 Chouprinov ..... D22/117  
D739,060 S \* 9/2015 Chouprinov ..... D22/117  
D745,200 S \* 12/2015 Inskeep ..... D26/49  
D745,732 S \* 12/2015 Inskeep ..... D26/49  
D745,987 S \* 12/2015 Nawaz ..... D22/117  
D769,496 S \* 10/2016 Inskeep ..... D26/49  
D797,336 S \* 9/2017 Inskeep ..... D26/49  
D803,445 S \* 11/2017 Inskeep ..... D26/49  
D846,169 S \* 4/2019 Inskeep ..... D26/49

\* cited by examiner

*Primary Examiner* — Lakiya G Rogers

*Assistant Examiner* — Carissa C Fitts

(74) *Attorney, Agent, or Firm* — Daniel S. Polley, P.A.

(57) **CLAIM**

We claim the ornamental design for a flashlight, as shown and described.

**DESCRIPTION**

FIG. 1 is a top perspective view of the flashlight showing our new design.

FIG. 2 is a bottom perspective view thereof.

FIG. 3 is a top view thereof.

FIG. 4 is a bottom view thereof.

FIG. 5 is a front right side view thereof.

FIG. 6 is a front left side view thereof with the sheath lowered.

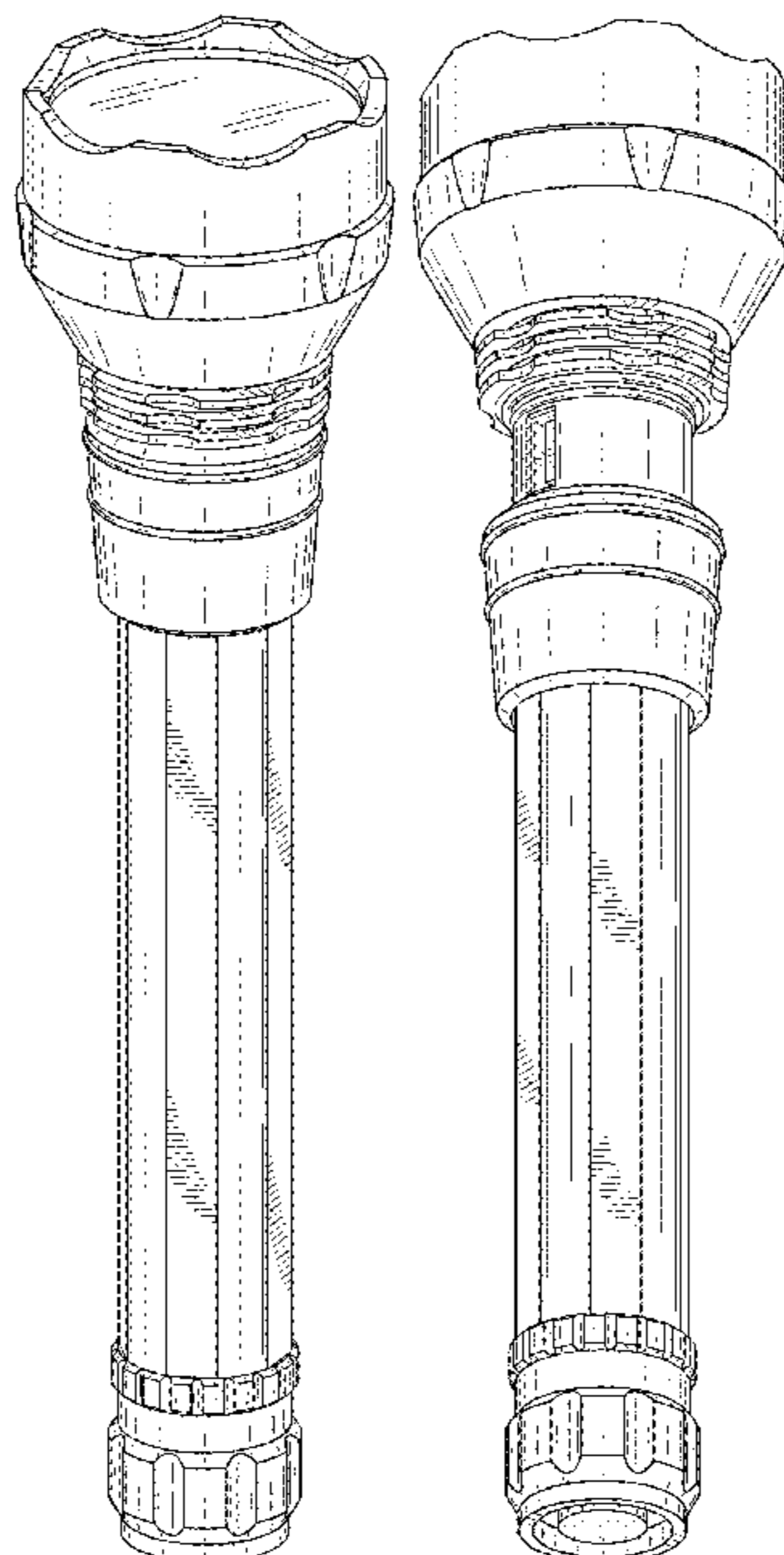
FIG. 7 is a front view thereof.

FIG. 8 is a right side view thereof with the sheath lowered and charging port exposed.

FIG. 9 is a back perspective view thereof with the sheath lowered and the charging light exposed; and,

FIG. 10 is a front perspective view thereof with the sheath lowered and the charging port exposed.

**1 Claim, 5 Drawing Sheets**



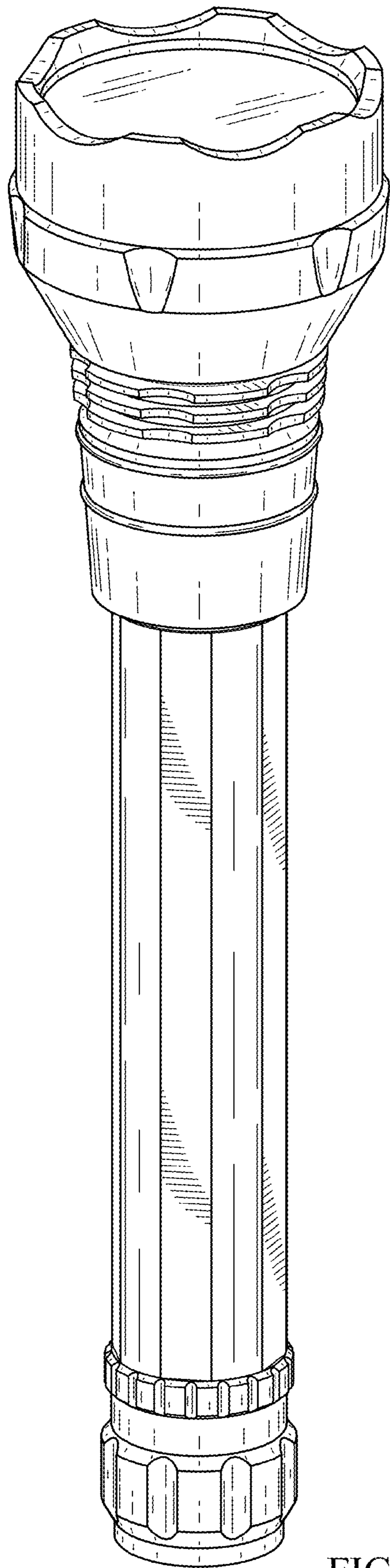


FIG. 1

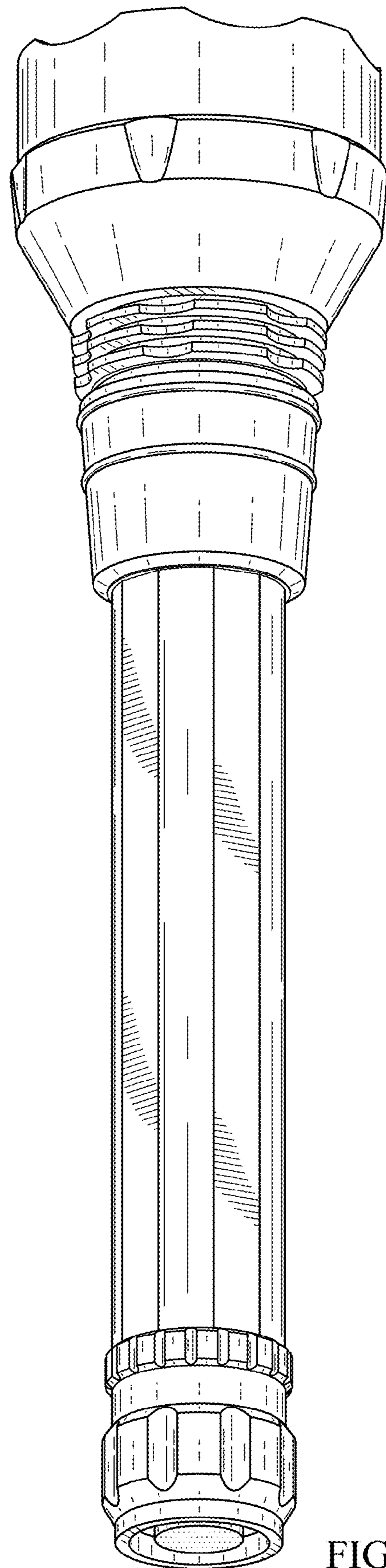


FIG. 2

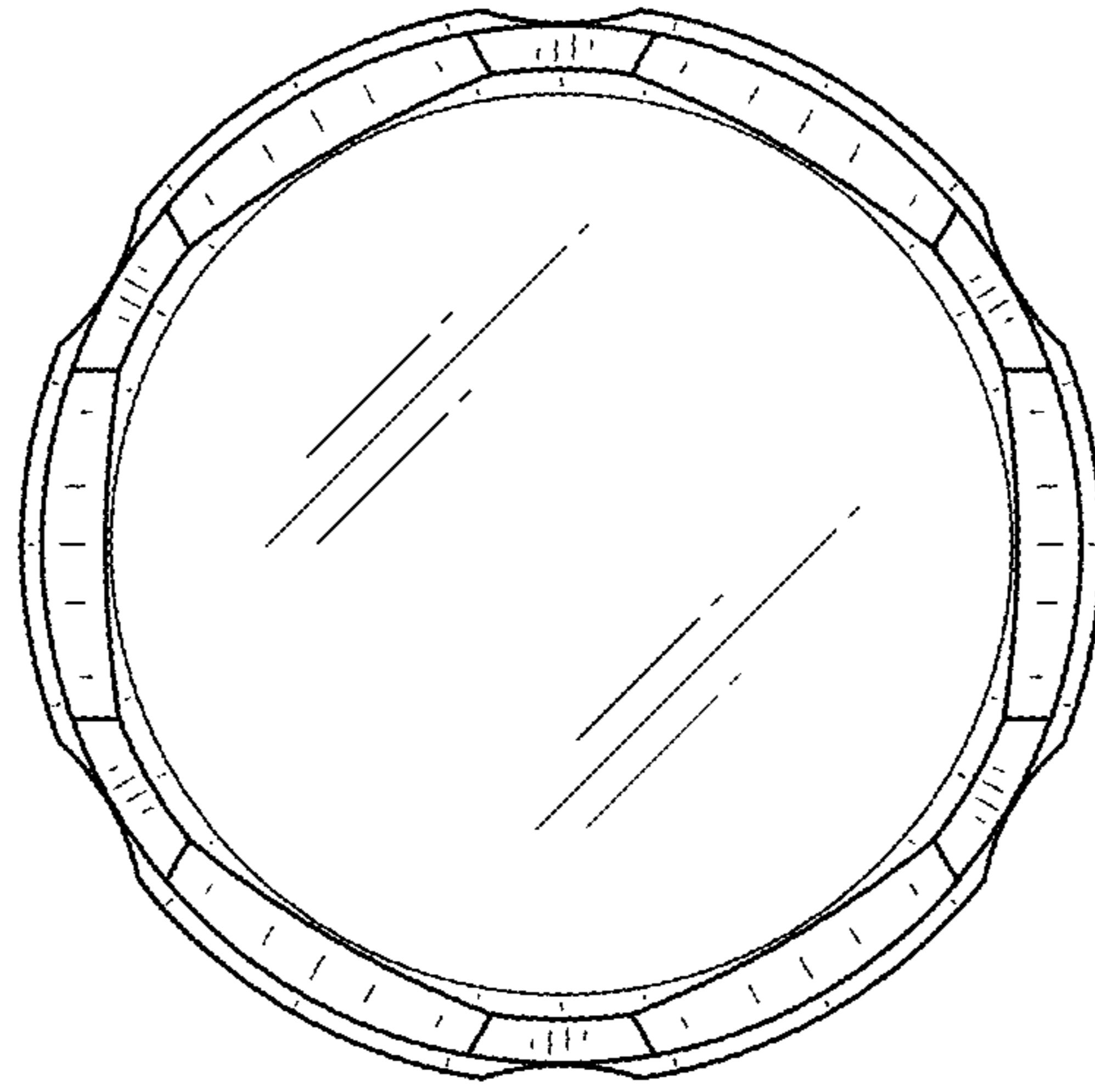


FIG. 3

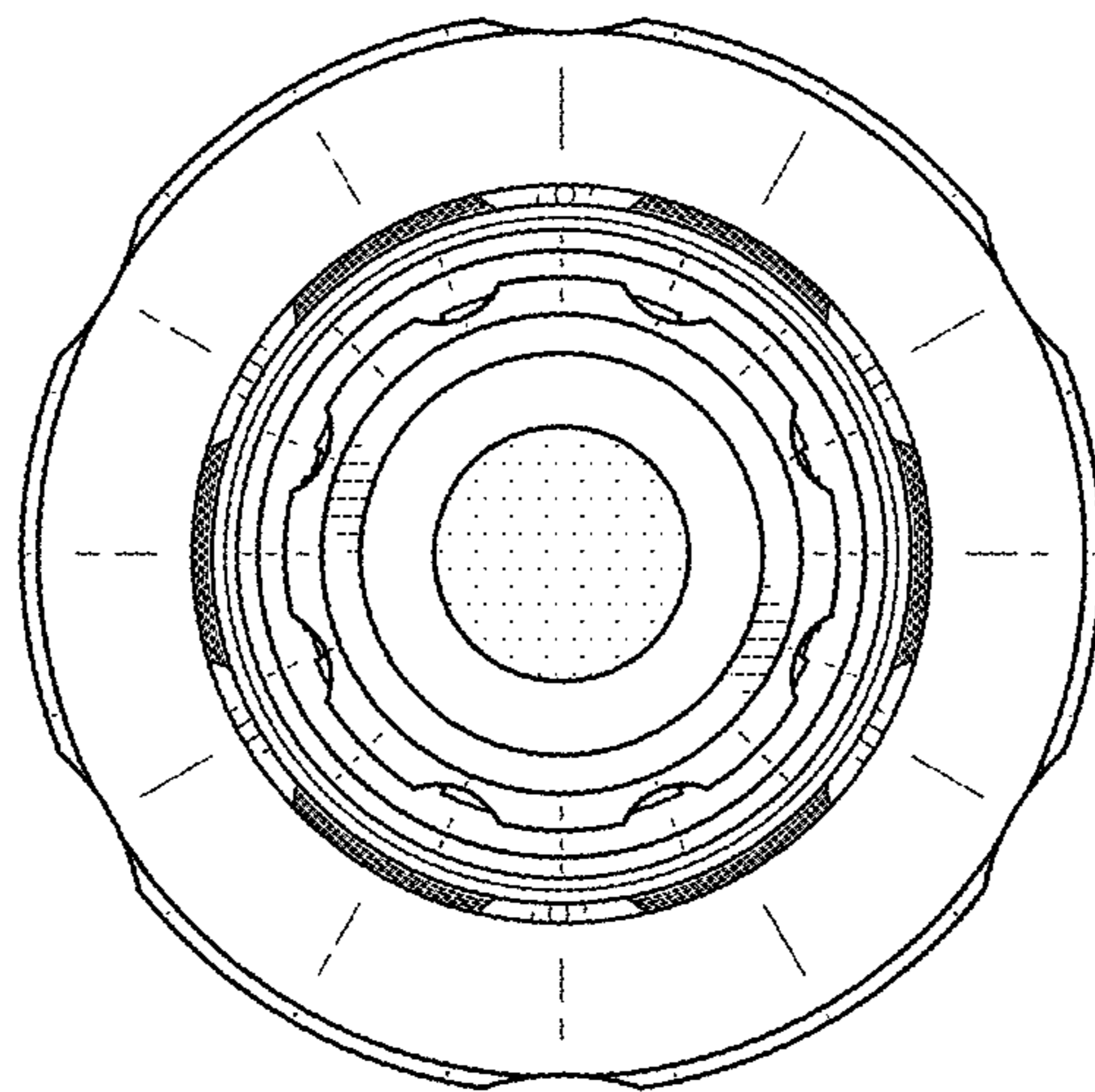


FIG. 4

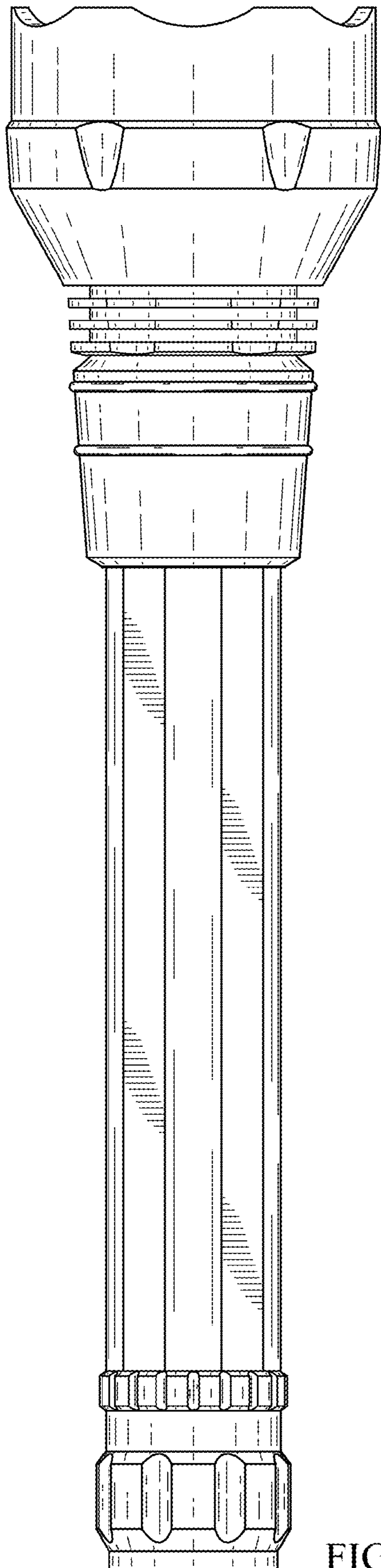


FIG. 5

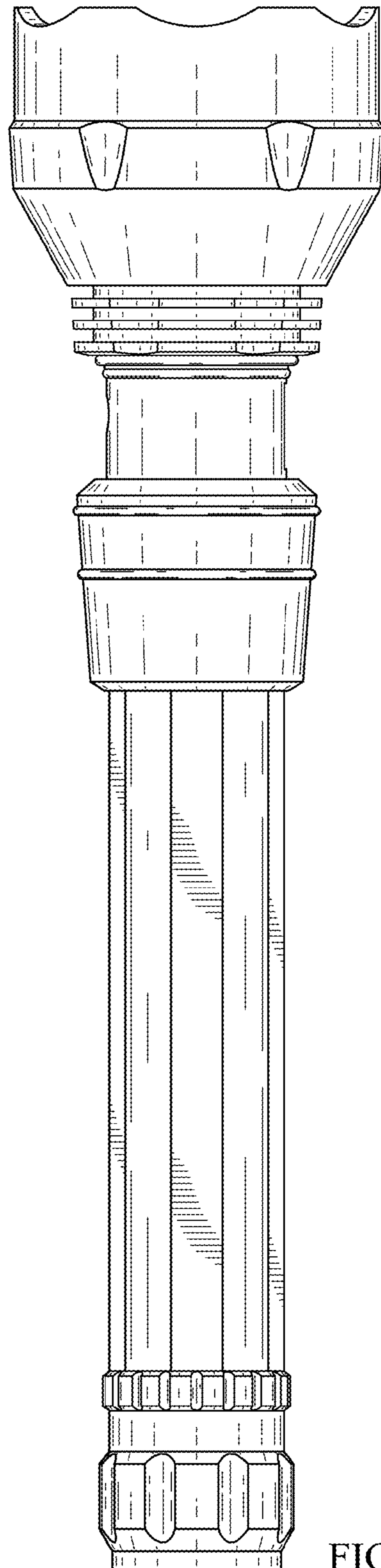


FIG. 6

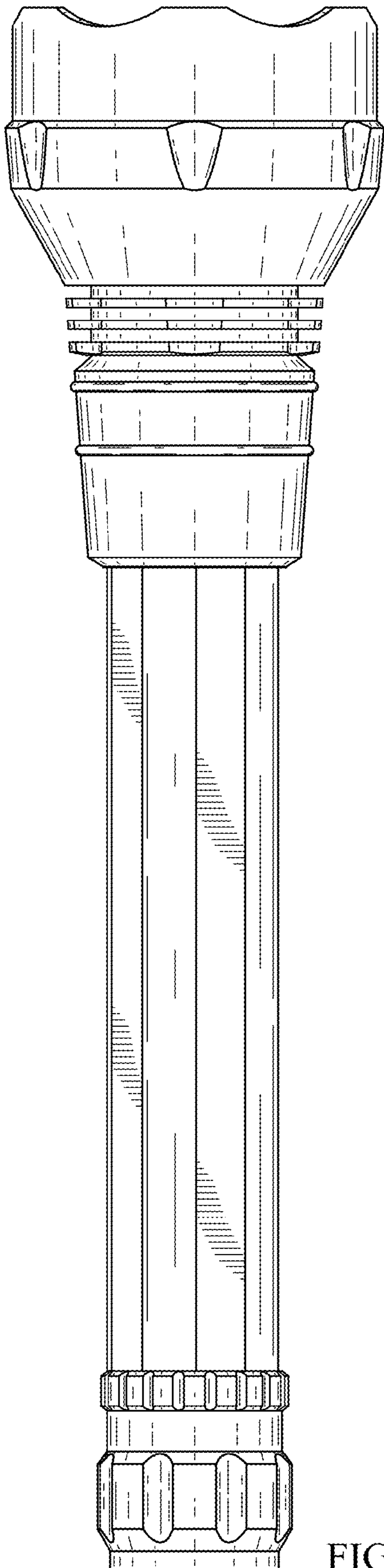


FIG. 7

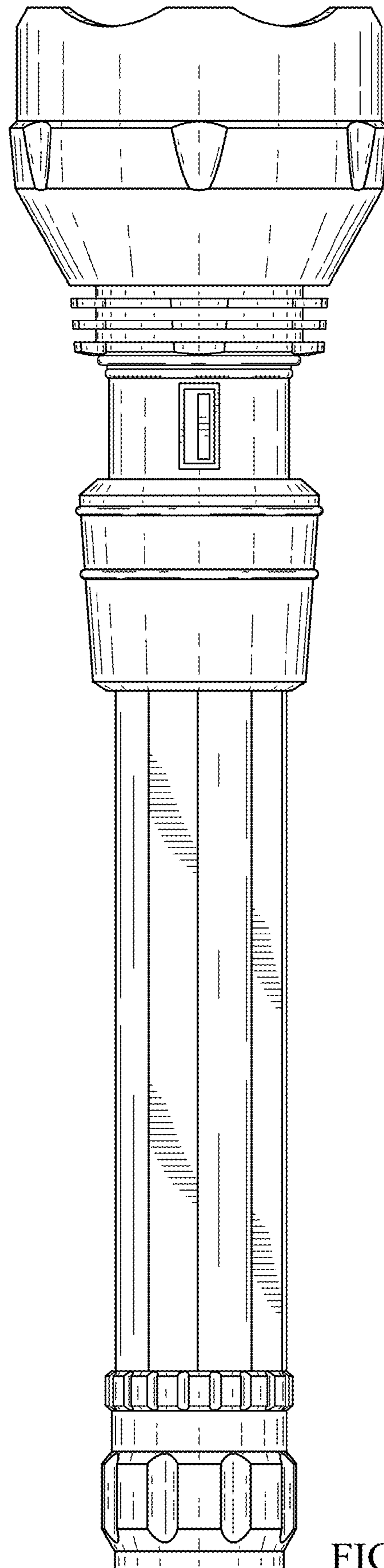


FIG. 8

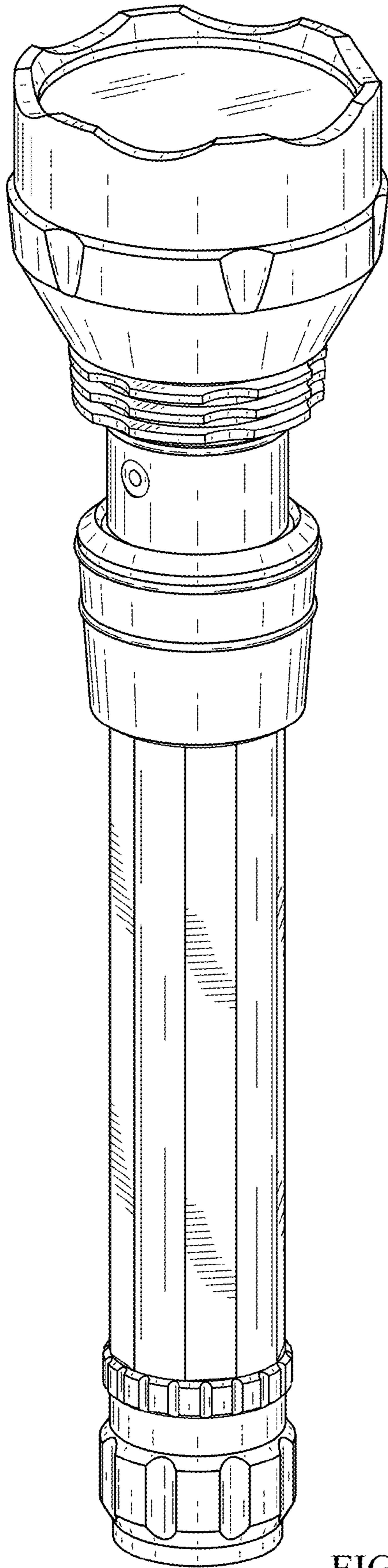


FIG. 9

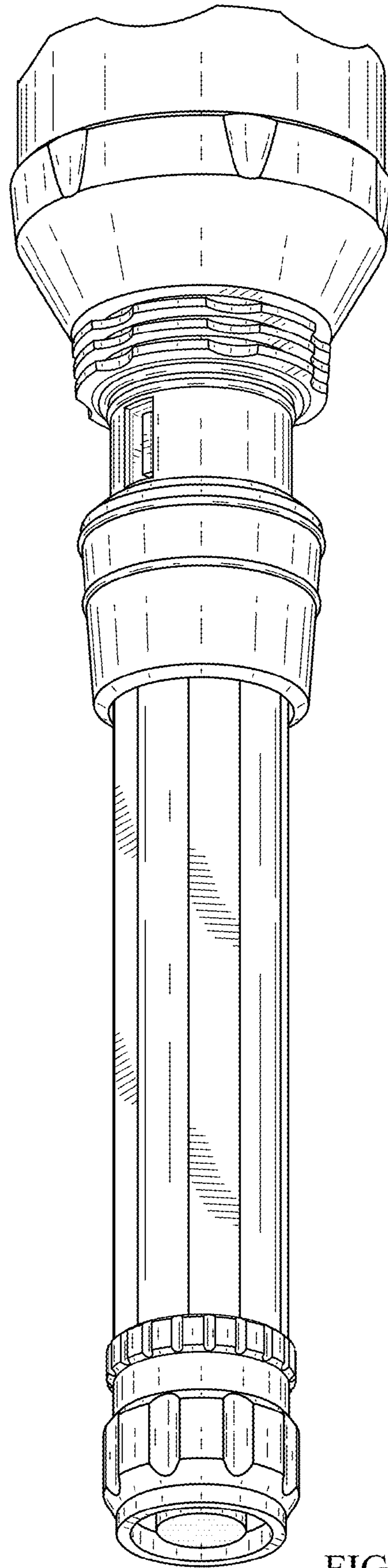


FIG. 10