



US00D875286S

(12) **United States Design Patent**
Noga et al.

(10) **Patent No.:** **US D875,286 S**
(45) **Date of Patent:** **** Feb. 11, 2020**

- (54) **FISHING LIGHT**
- (71) Applicants: **Rebecca Noga**, Edgewater, FL (US);
Dingfang Shi, Cixi (CN)
- (72) Inventors: **Rebecca Noga**, Edgewater, FL (US);
Dingfang Shi, Cixi (CN)
- (**) Term: **15 Years**
- (21) Appl. No.: **29/594,371**
- (22) Filed: **Feb. 17, 2017**
- (51) **LOC (12) Cl.** **26-02**
- (52) **U.S. Cl.**
USPC **D26/42**
- (58) **Field of Classification Search**
USPC D26/37-51
CPC F21L 2003/00; F21L 4/00; F21L 4/005;
F21L 4/02; F21L 4/025; F21L 4/027;
F21L 4/04; F21L 4/08; F21L 2005/00;
F21L 7/00; F21L 11/00; F21L 13/00;
F21L 13/04; F21L 13/08; F21L 14/02;
F21L 17/00; F21L 19/00; F21L 25/00
See application file for complete search history.

- (56) **References Cited**
U.S. PATENT DOCUMENTS
- D333,190 S * 2/1993 Waldmann D26/42
- D416,344 S * 11/1999 Hawkins D26/42
- D421,142 S * 2/2000 Bayat D26/42
- D430,946 S * 9/2000 MacAllister D26/38
- D446,877 S * 8/2001 Lester D26/72
- D457,664 S * 5/2002 Moriyama D26/3
- D458,339 S * 6/2002 Cheong D22/134
- D505,217 S * 5/2005 Bayat D26/42
- D538,456 S * 3/2007 Trigiani D26/42
- D567,977 S * 4/2008 Jianwei D26/42
- D567,978 S * 4/2008 Jianwei D26/42
- 7,367,689 B2 * 5/2008 Huang F21L 4/00
362/171
- D593,695 S * 6/2009 Levine D26/42

- D620,627 S * 7/2010 Kovacik D26/42
- 8,419,211 B2 * 4/2013 Chi F21V 19/004
362/217.1
- D690,452 S * 9/2013 Payne D26/80
- D694,446 S * 11/2013 Zhou D26/42
- D701,986 S * 4/2014 Goeckel D26/42
- D711,573 S * 8/2014 Payne D26/42
- D726,355 S * 4/2015 Payne D26/37
- D739,586 S * 9/2015 Hong D26/51
- D757,973 S * 5/2016 Zhang D26/44

(Continued)

Primary Examiner — Lakiya G Rogers
Assistant Examiner — Carissa C Fitts
(74) *Attorney, Agent, or Firm* — Quickpatents, LLC;
Kevin Prince

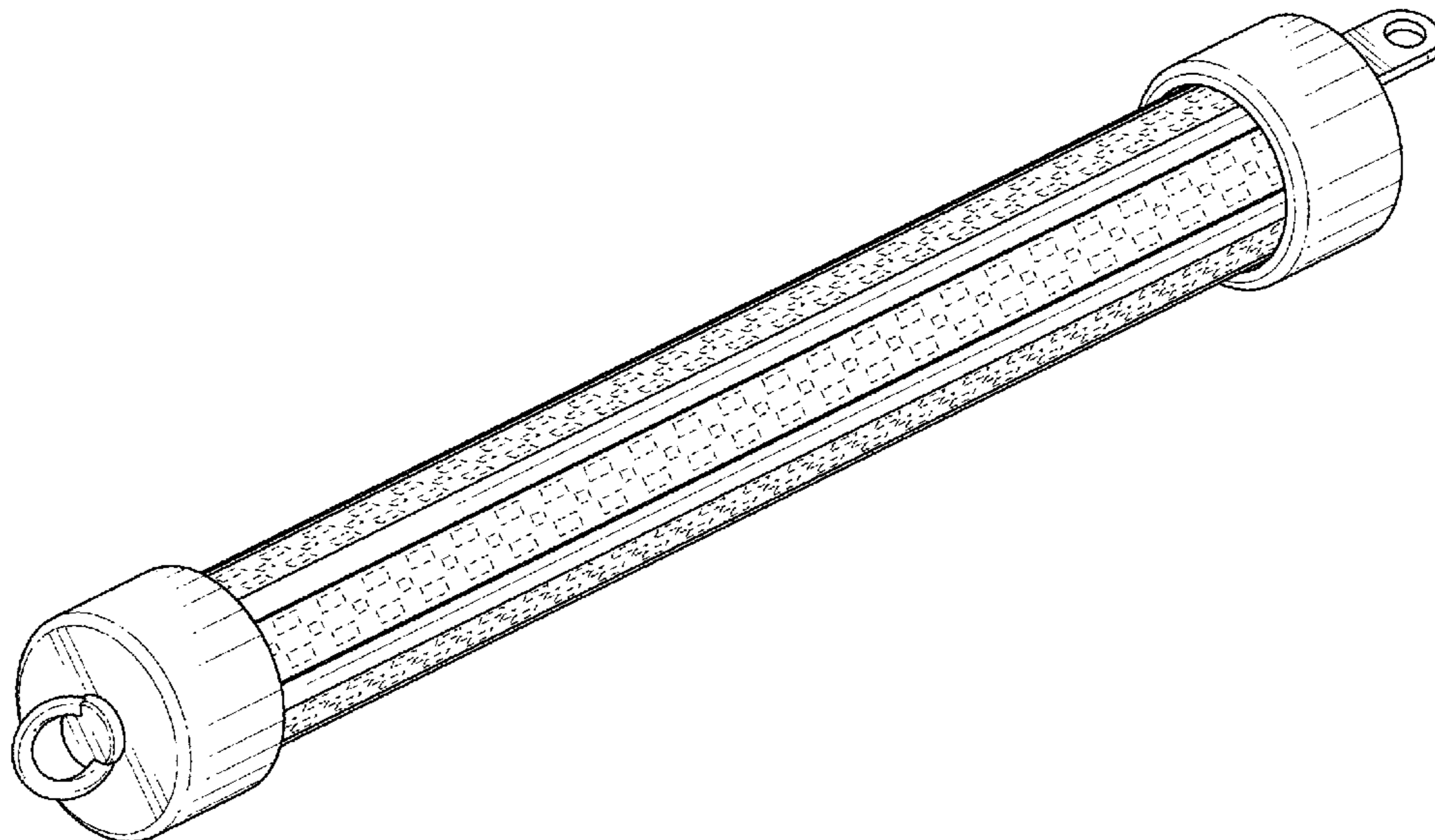
(57) **CLAIM**

We claim the ornamental design for a fishing light, as shown and described.

DESCRIPTION

FIG. 1 is a perspective view of a fishing light, showing our new design;
FIG. 2 is a top plan view thereof,
FIG. 3 is a bottom plan view thereof;
FIG. 4 is a left-side elevational view thereof;
FIG. 5 is a right-side elevational view thereof;
FIG. 6 is a front elevational view thereof;
FIG. 7 is a rear elevational view thereof;
FIG. 8 is a perspective view of a fishing light, showing a second embodiment;
FIG. 9 is a top plan view thereof;
FIG. 10 is a bottom plan view thereof;
FIG. 11 is a left-side elevational view thereof;
FIG. 13 is a front elevational view thereof; and,
FIG. 14 is a rear elevational view thereof.
The broken lines showing a power cord and LED components in the figures depict environmental matter and form no part of the claimed design.

1 Claim, 6 Drawing Sheets



(56)

References Cited

U.S. PATENT DOCUMENTS

D787,105	S *	5/2017	Kelleghan	D26/46
D805,669	S *	12/2017	Noga	D26/51
D808,555	S *	1/2018	Inskeep	D26/41
D811,635	S *	2/2018	Urry	D26/42
D811,636	S *	2/2018	Galli	D26/49
2004/0007980	A1 *	1/2004	Shibata	F21K 9/27 313/634
2006/0198132	A1 *	9/2006	Trigiani	F21L 4/027 362/183
2010/0033968	A1 *	2/2010	Kachkin	G09F 9/33 362/249.02
2010/0067230	A1 *	3/2010	Uang	F21K 9/27 362/249.02
2013/0063944	A1 *	3/2013	Lodhie	F21K 9/278 362/249.02
2013/0135852	A1 *	5/2013	Chan	F21V 21/002 362/218
2013/0250558	A1 *	9/2013	Griffin	F21L 4/00 362/183
2016/0360585	A1 *	12/2016	Urry	H05B 33/0845
2017/0207429	A1 *	7/2017	Wang	H01M 2/105
2018/0202617	A1 *	7/2018	Zhu	F21L 4/00
2019/0063696	A1 *	2/2019	Grandadam	F21L 4/02

* cited by examiner

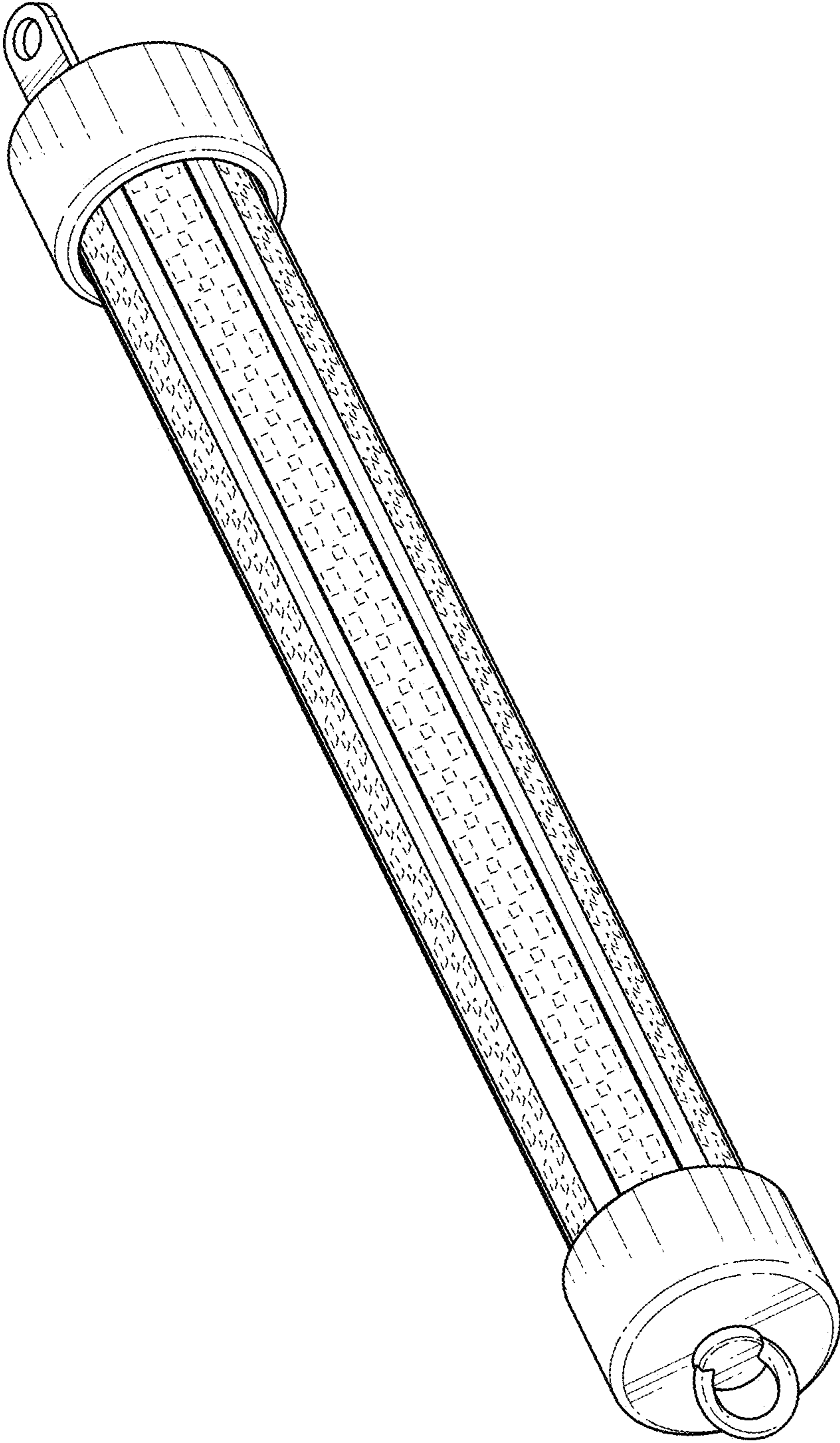


FIG. 1

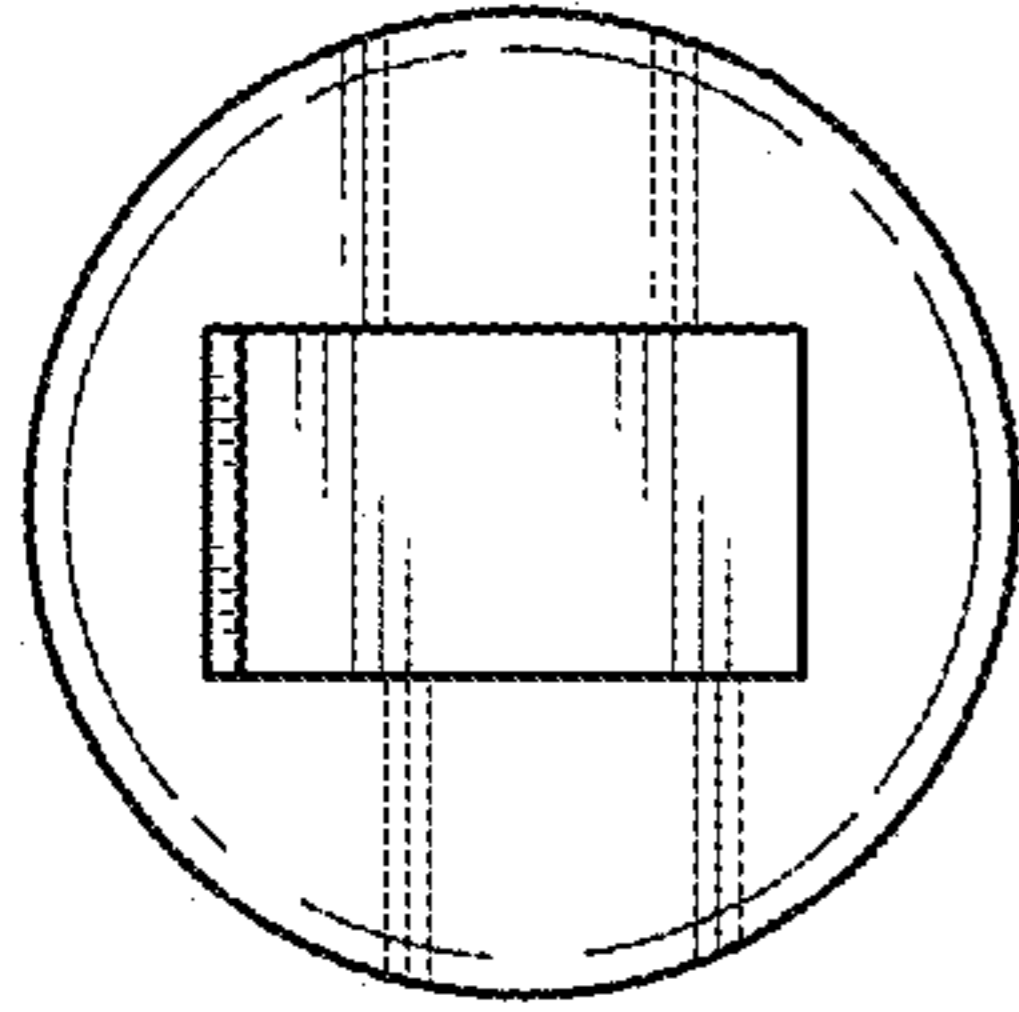


FIG. 3

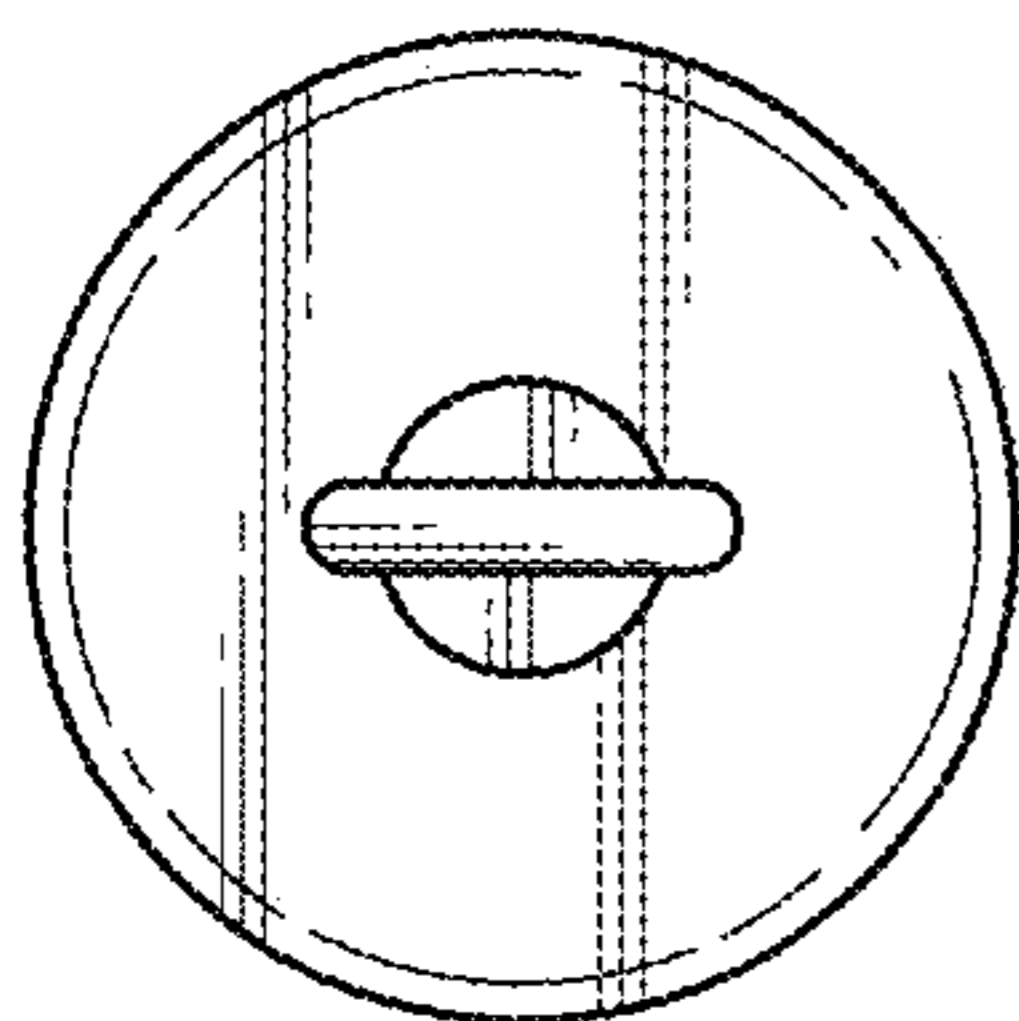


FIG. 2

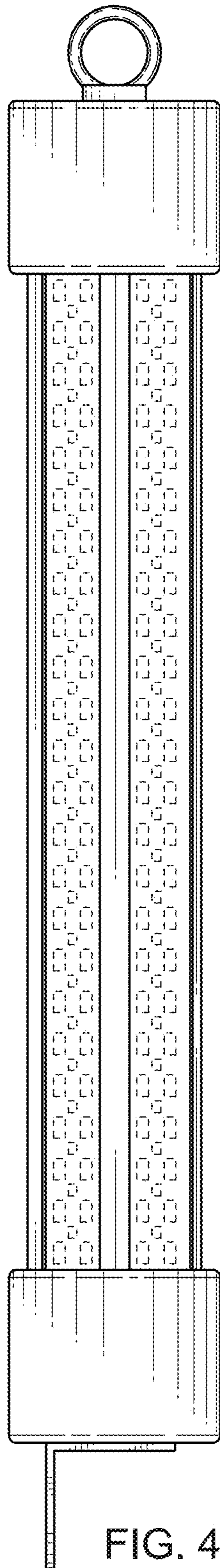


FIG. 4

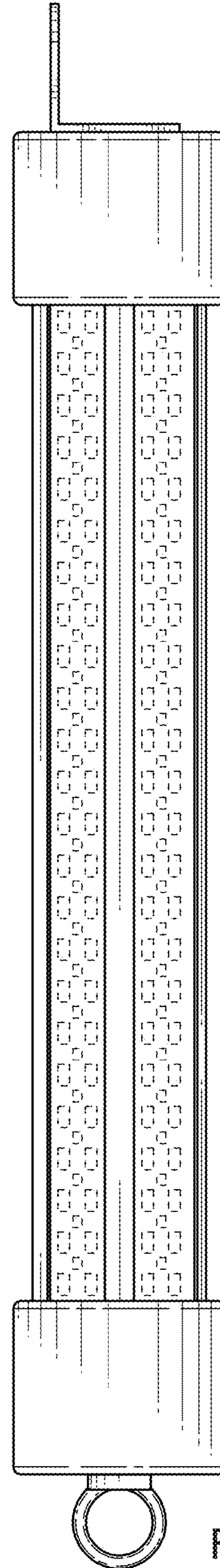


FIG. 5

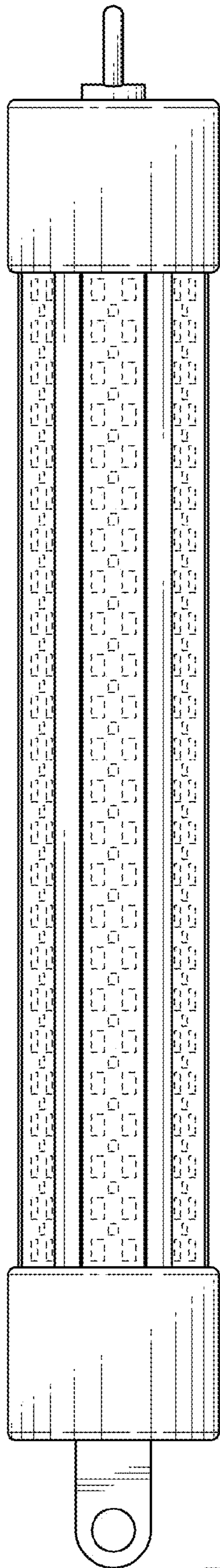


FIG. 6

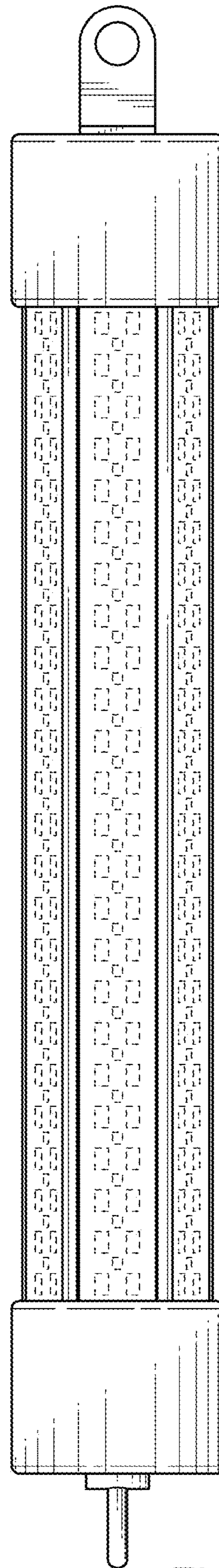


FIG. 7

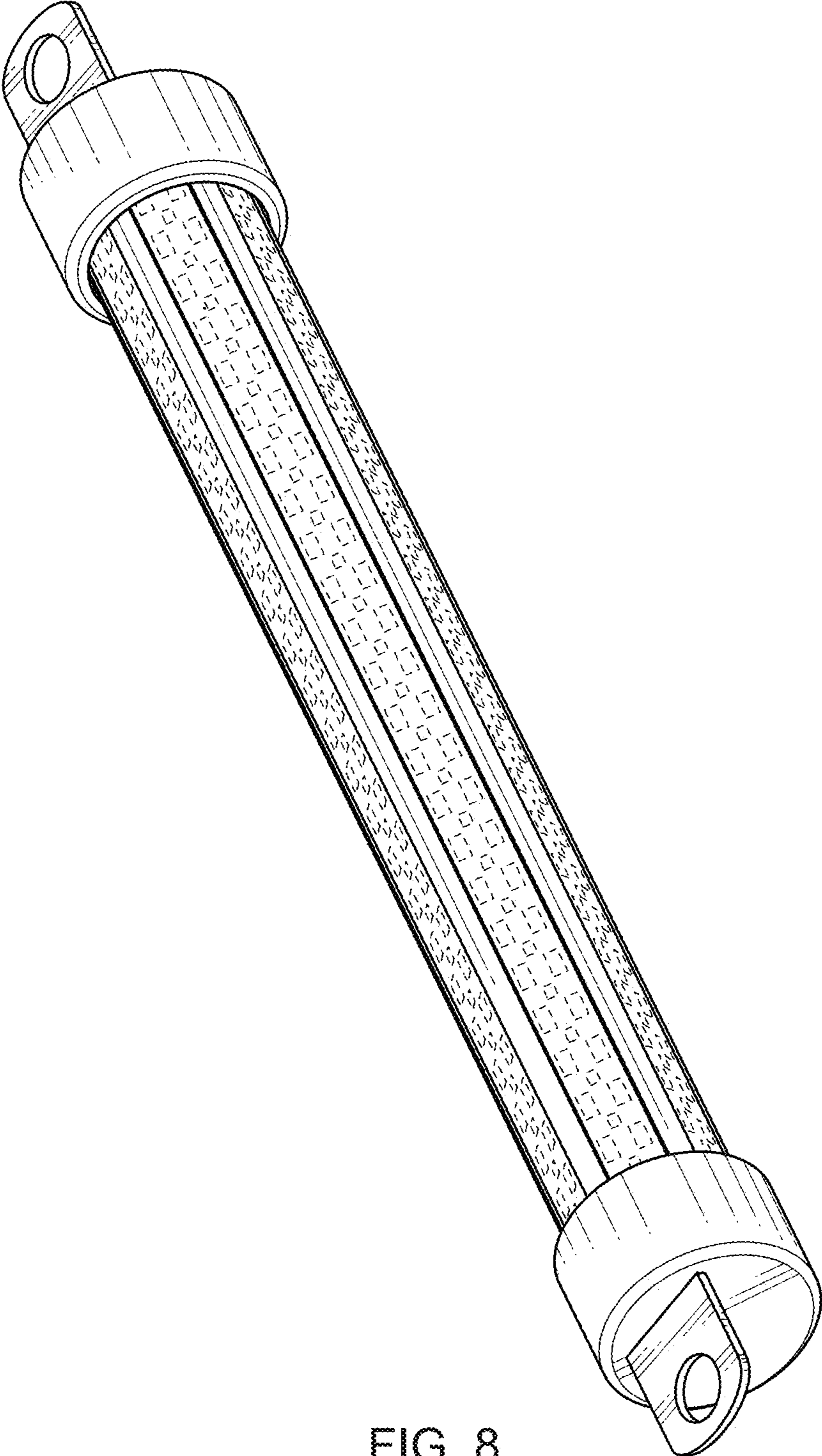


FIG. 8

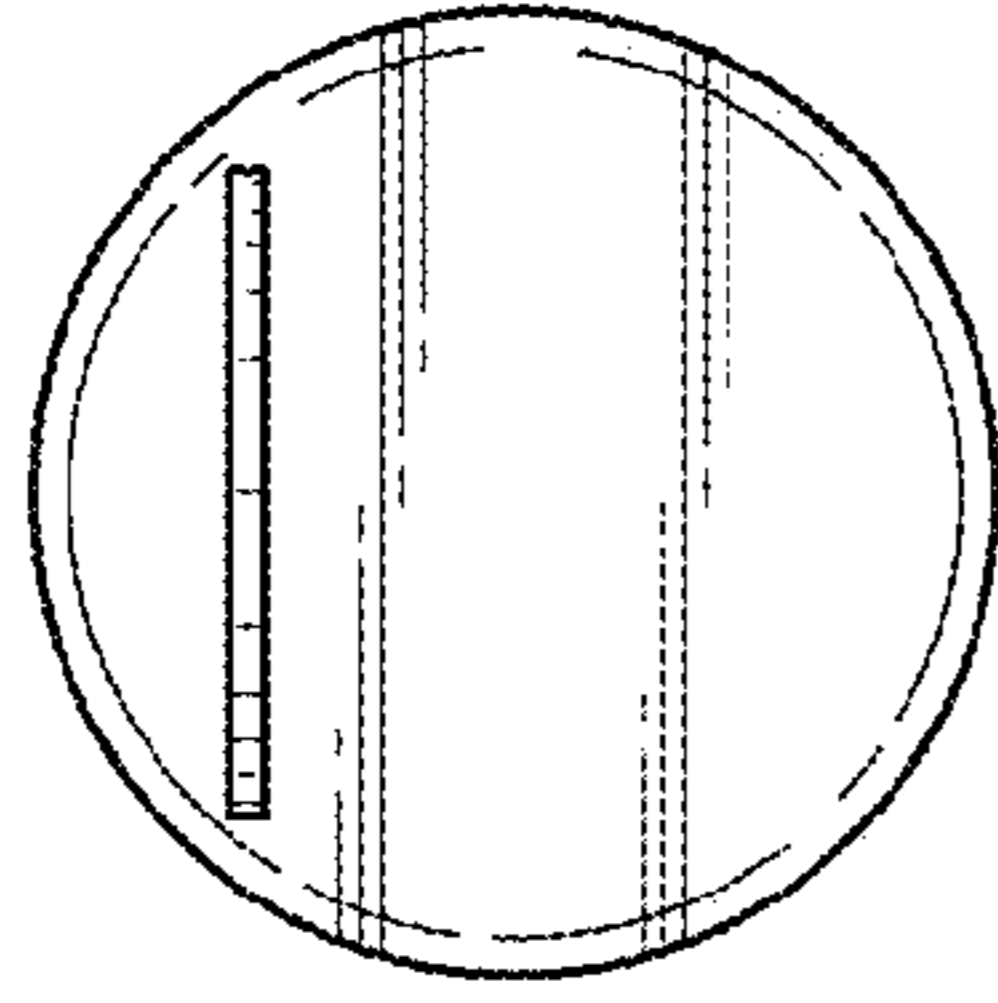


FIG. 9

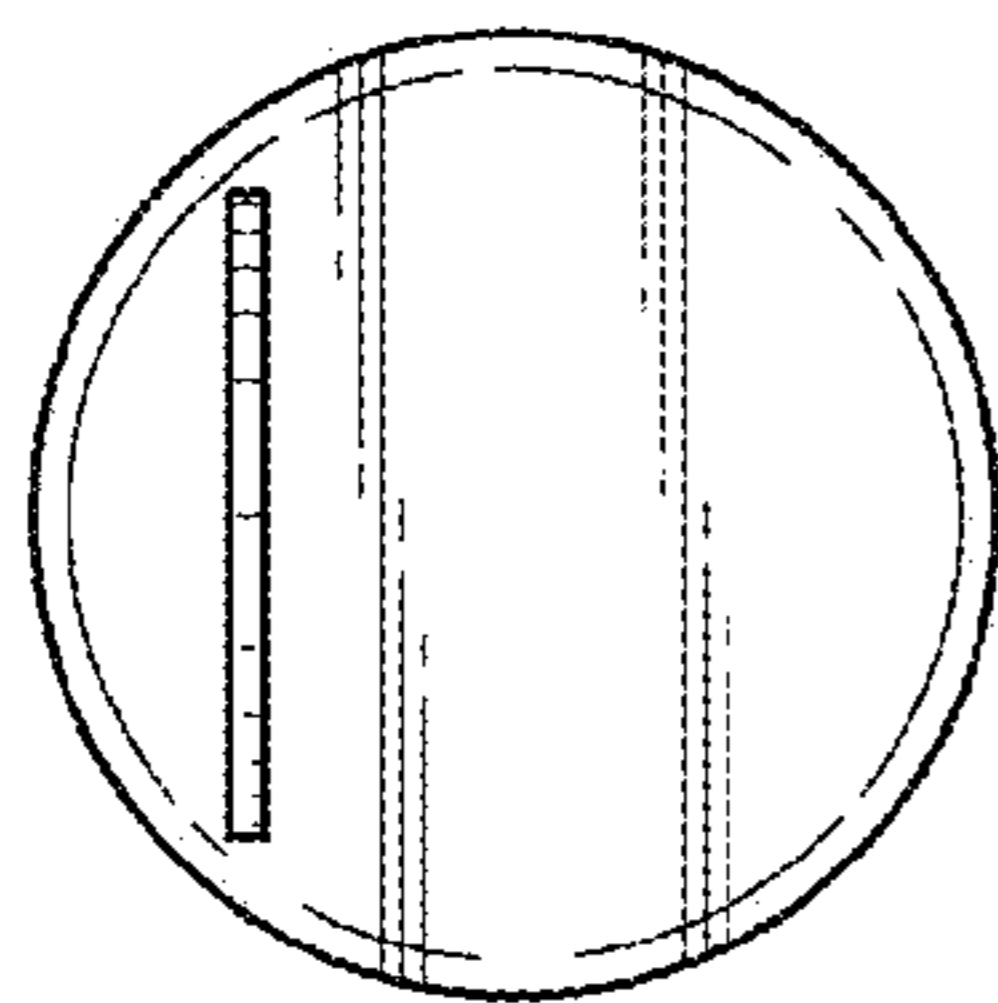


FIG. 10

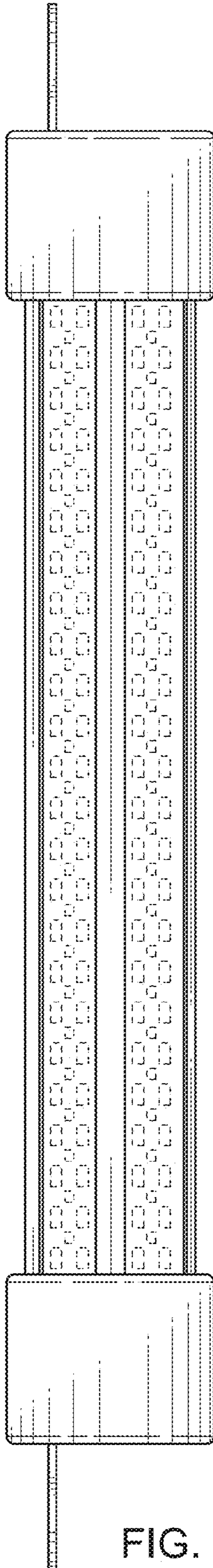


FIG. 11

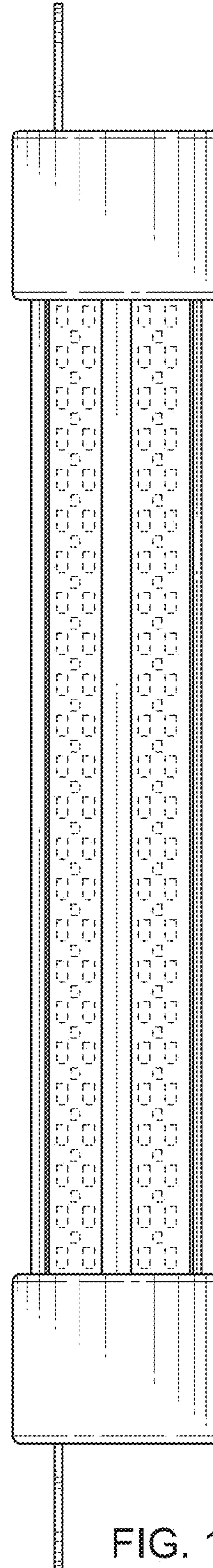


FIG. 12

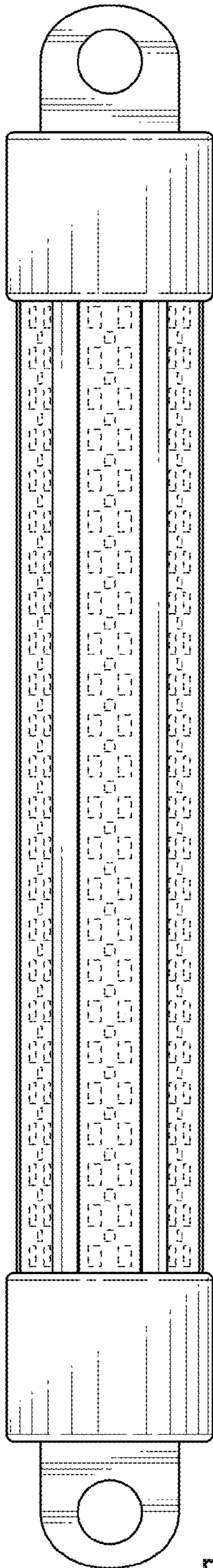


FIG. 13

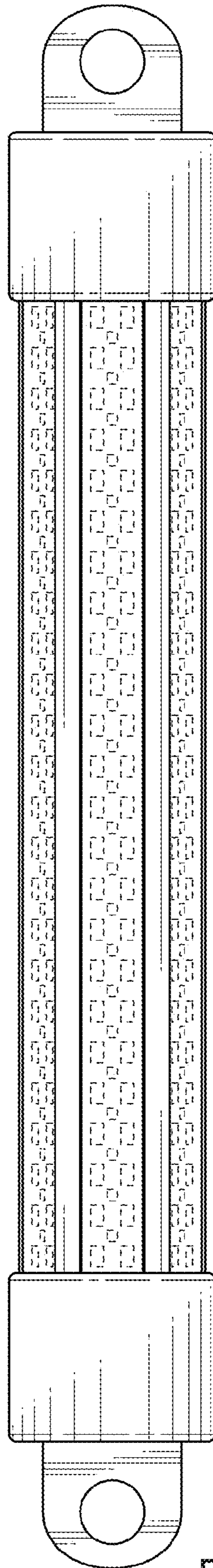


FIG. 14