



US00D875285S

(12) **United States Design Patent** (10) **Patent No.:** **US D875,285 S**  
**Prieto et al.** (45) **Date of Patent:** **\*\* Feb. 11, 2020**

(54) **LIGHTING DEVICE**

(71) Applicant: **Alliance Sports Group, L.P.**, Grand Prairie, TX (US)  
(72) Inventors: **Jimmy Prieto**, Grand Prairie, TX (US); **Huang Xiaohong**, Ningbo (CN)  
(73) Assignee: **Alliance Sports Group, L.P.**, Grand Prairie, TX (US)

(\*\*) Term: **15 Years**

(21) Appl. No.: **29/660,446**

(22) Filed: **Aug. 21, 2018**

(51) **LOC (12) Cl.** ..... **26-02**

(52) **U.S. Cl.**  
USPC ..... **D26/37**

(58) **Field of Classification Search**

USPC ..... D26/1, 24, 25, 43, 60, 110, 113, 28, 37, D26/61, 85, 102, 138-140; 362/249.14, 362/311.02, 311.13  
CPC ..... F21S 4/00; F21S 4/10; F21S 4/15; F21S 4/26; F21S 2/00; F21V 11/02; F21V 11/06; F21V 17/10; F21V 17/16; F21V 21/0296; F21V 21/0054; F21V 21/008; F21V 21/00; F21V 21/08; F21V 23/00; F21V 23/04; F21V 33/00; F21W 2121/00; F21W 2121/04; F21Y 2115/10; F21L 4/00; F21L 4/02; F21L 4/04; F21L 4/08

See application file for complete search history.

(56) **References Cited**

U.S. PATENT DOCUMENTS

D544,619 S \* 6/2007 Lee ..... D26/37  
D565,214 S \* 3/2008 Lee ..... D26/37  
D571,492 S \* 6/2008 Lee ..... D26/37  
D663,454 S \* 7/2012 Sham ..... D26/37

\* cited by examiner

*Primary Examiner* — Abraham Bahta

(74) *Attorney, Agent, or Firm* — Thorpe North & Western LLP

(57) **CLAIM**

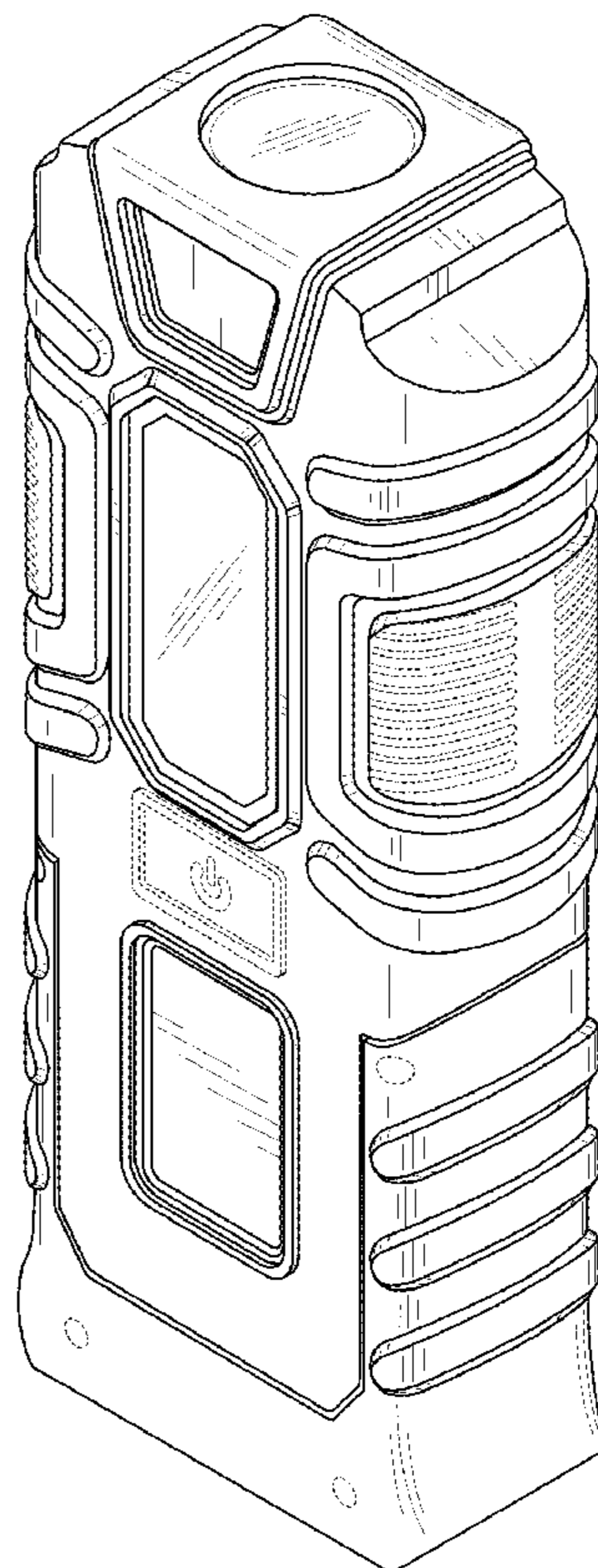
The ornamental design for a lighting device, as shown and described.

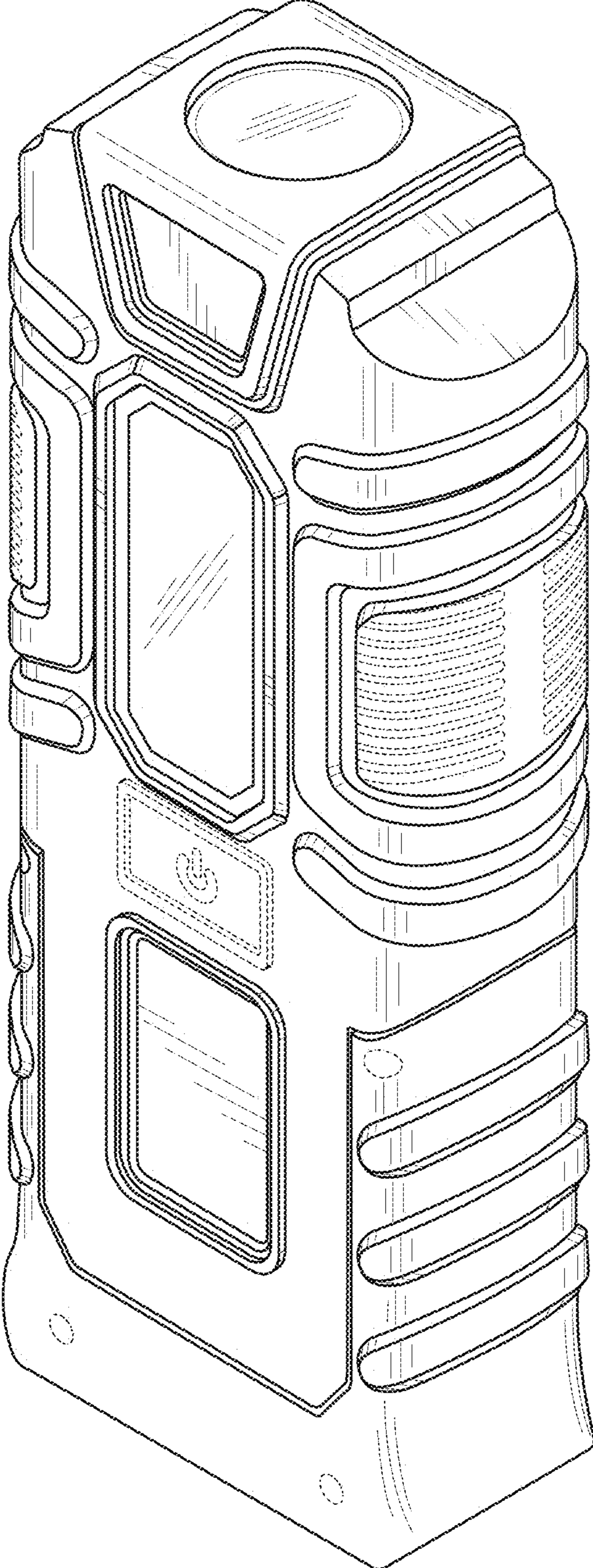
**DESCRIPTION**

FIG. 1 is an elevated, perspective view of the lighting device in accordance with our invention; FIG. 2 is a front view of FIG. 1; FIG. 3 is a back view of FIG. 1; FIG. 4 is a side view of FIG. 1; FIG. 5 is an opposite view of FIG. 4; FIG. 6 is a top view of FIG. 1; and, FIG. 7 is a bottom view of FIG. 1.

The broken lines shown represent portions of the article not claimed and form no part of the claimed design.

**1 Claim, 5 Drawing Sheets**





**FIG. 1**



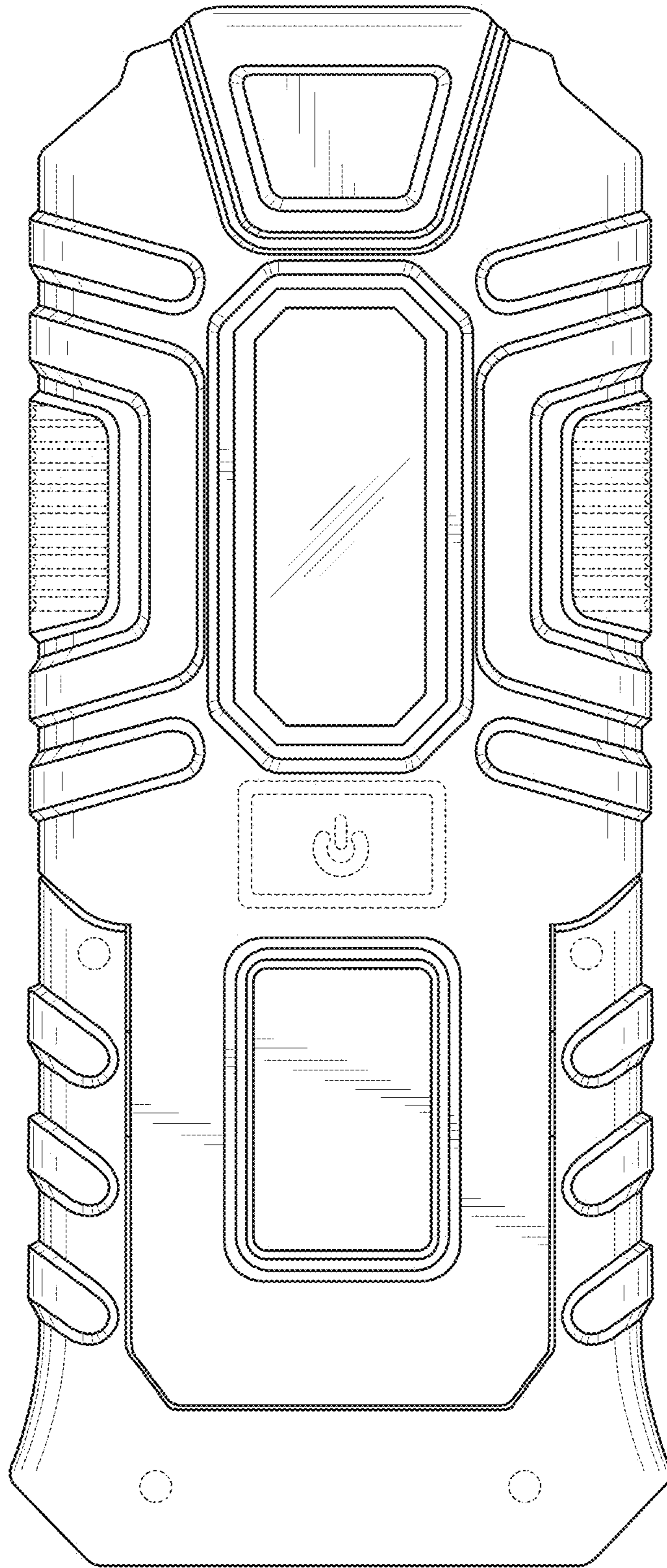


FIG. 2

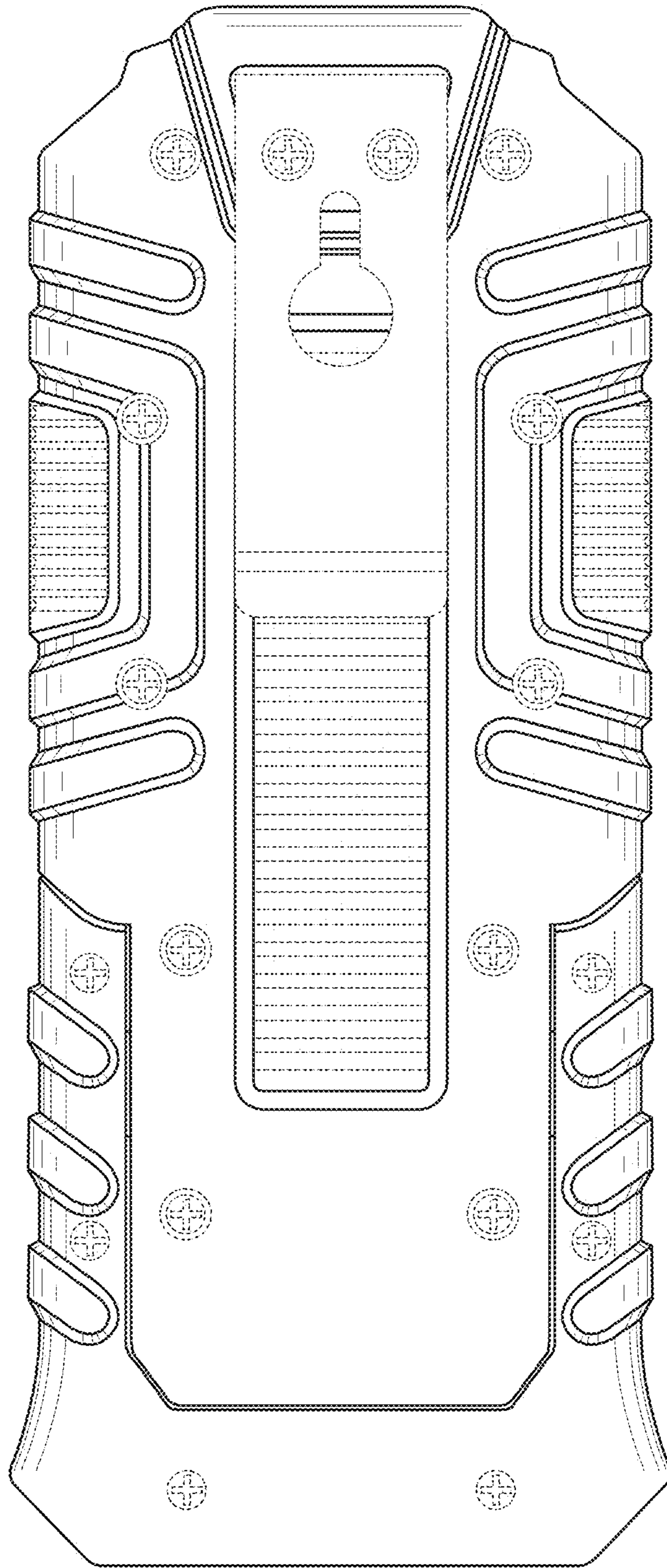
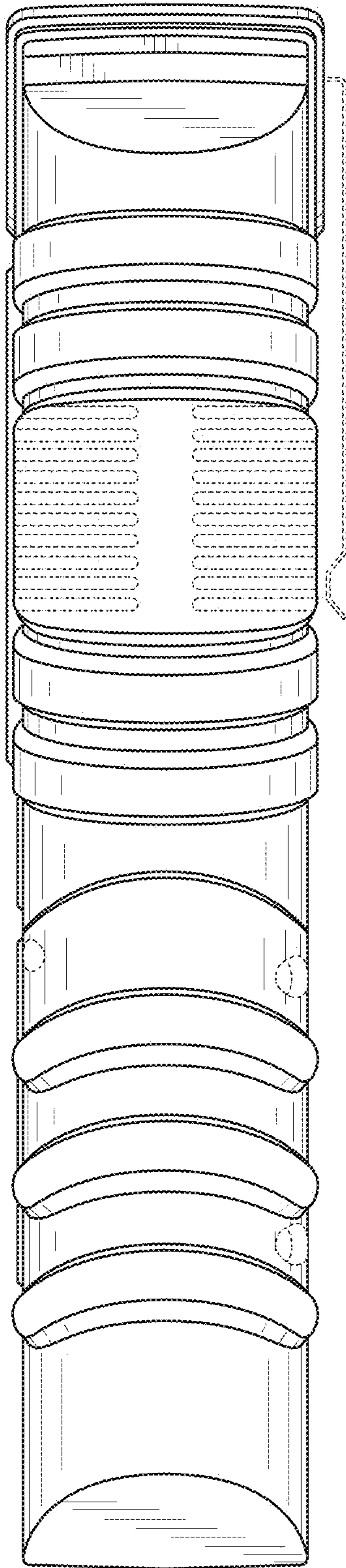
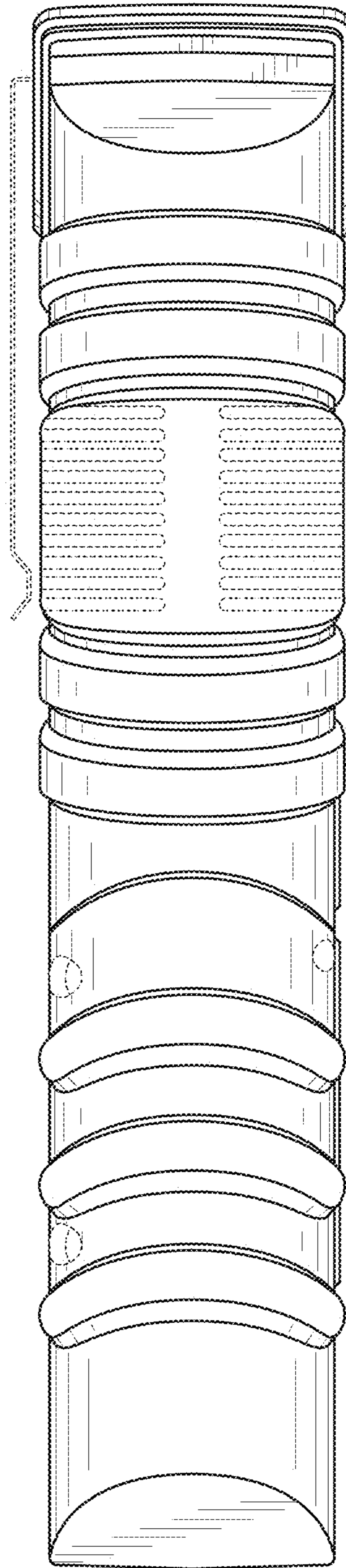


FIG. 3

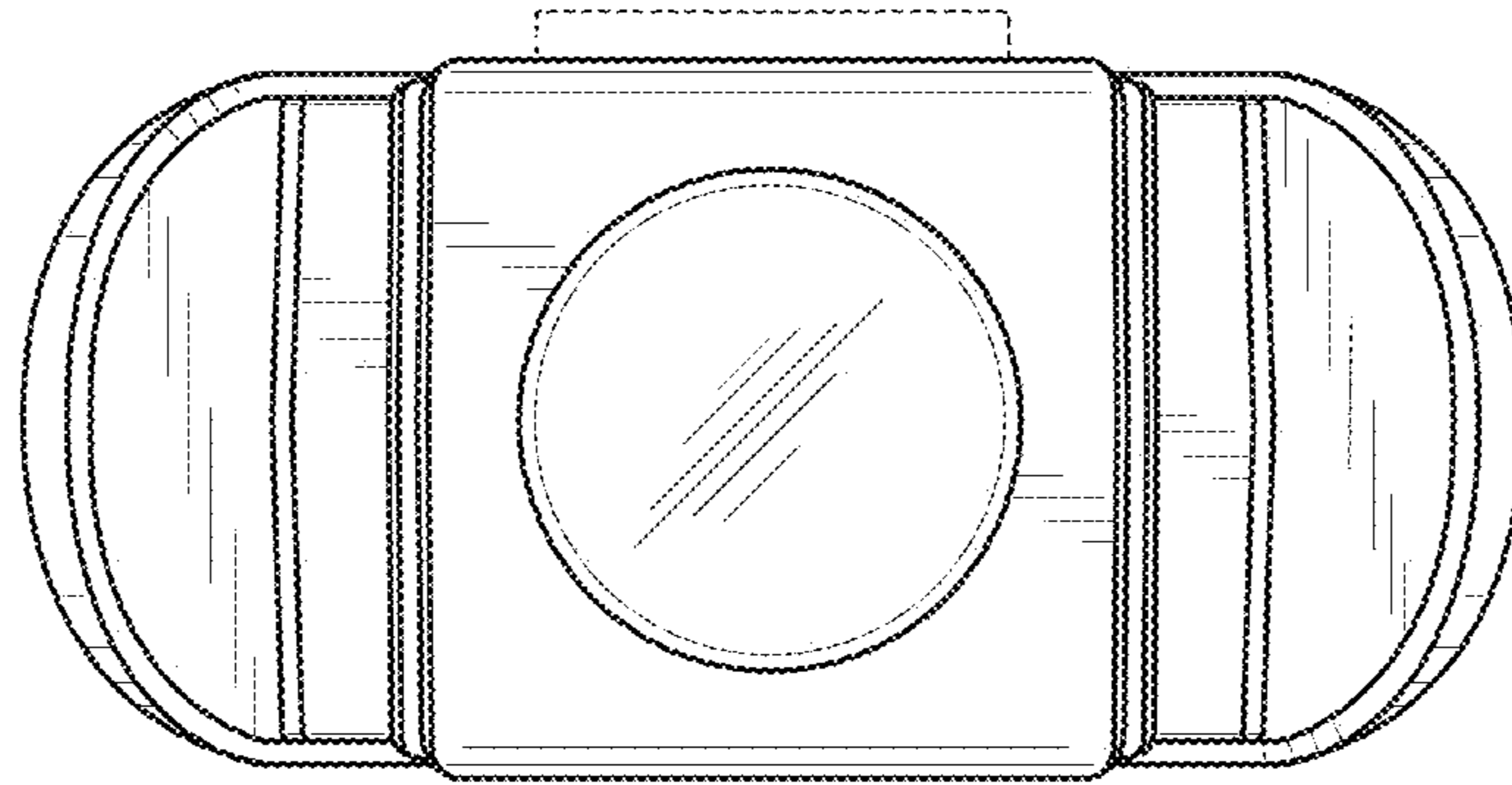


**FIG. 4**

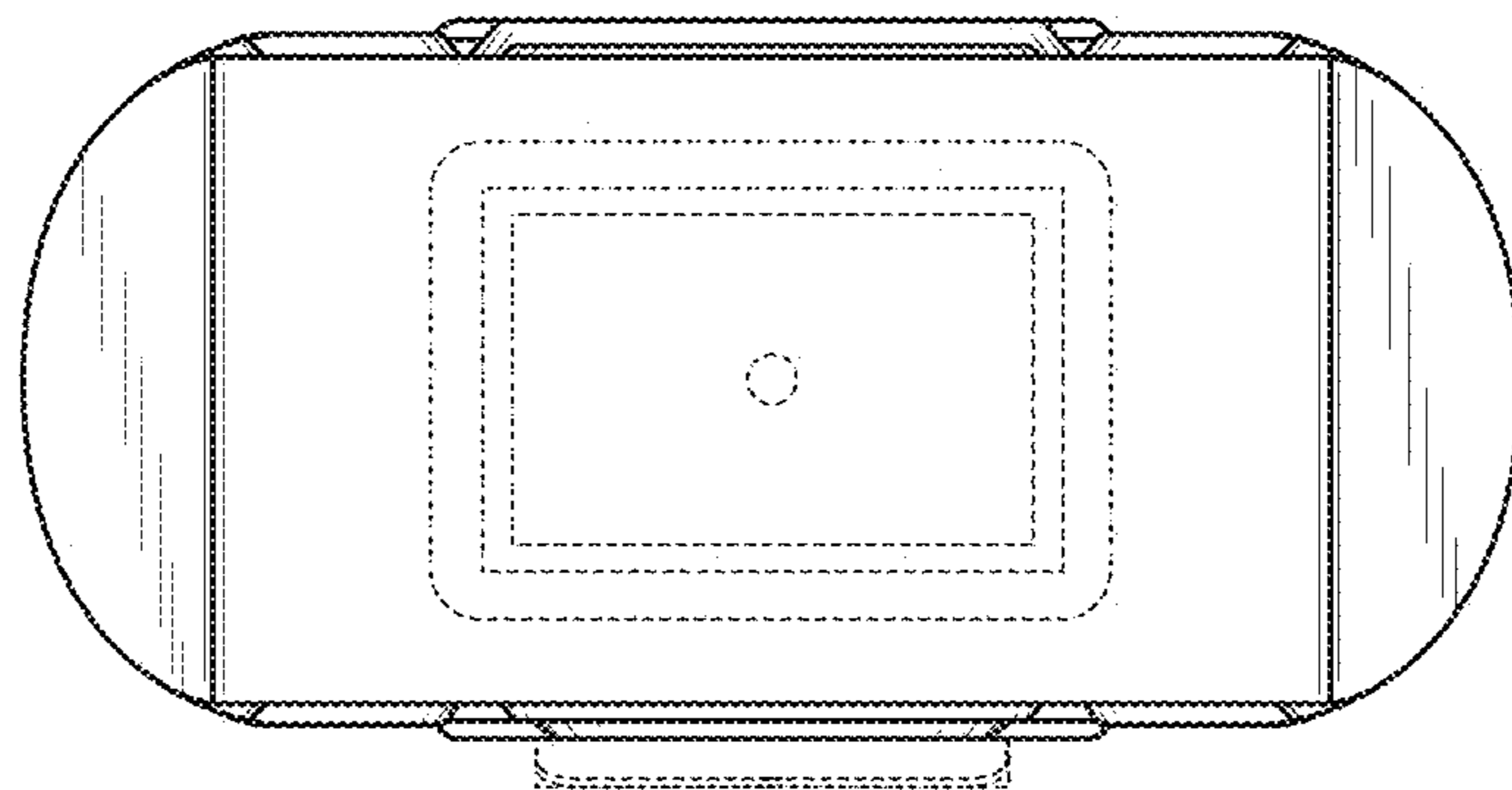


**FIG. 5**





**FIG. 6**



**FIG. 7**