



US00D875284S

(12) **United States Design Patent** (10) **Patent No.:** **US D875,284 S**
Cacciabeve (45) **Date of Patent:** **** Feb. 11, 2020**

(54) **PORTABLE LIGHT**
(71) Applicant: **Walter R. Tucker Enterprises, Ltd.**,
Deposit, NY (US)
(72) Inventor: **Robert Cacciabeve**, Boonton, NJ (US)
(73) Assignee: **Walter R. Tucker Enterprises, Ltd.**,
Deposit, NY (US)
(**) Term: **15 Years**

D441,491 S 5/2001 Leen
D469,212 S 1/2003 Chiu
6,629,771 B2 10/2003 Chiu
D544,388 S 6/2007 Chisholm
D553,771 S 10/2007 Watson et al.
D593,236 S 5/2009 Ng et al.
D593,238 S 5/2009 Allen
D593,693 S 6/2009 Adamany et al.
D605,794 S 12/2009 Engebrigtsen
D606,691 S 12/2009 Lindholm
D608,038 S 1/2010 Chan

(Continued)

(21) Appl. No.: **29/608,101**

OTHER PUBLICATIONS

(22) Filed: **Jun. 19, 2017**

Snap on—200 Lumens LED worklight, [online] [site visited Nov. 6, 2019] Available on the internet, <<https://www.youtube.com/watch?v=SiV9SyqPPME>> 1 page (Year: 2014).*

(Continued)

Related U.S. Application Data

(63) Continuation-in-part of application No. 15/156,988, filed on May 17, 2016, now Pat. No. 9,951,930, and a continuation-in-part of application No. 29/542,750, filed on Oct. 16, 2015, now Pat. No. Des. 866,027.

Primary Examiner — Lakiya G Rogers
Assistant Examiner — Carissa C Fitts
(74) *Attorney, Agent, or Firm* — Breiner & Breiner, L.L.C.

(51) **LOC (12) Cl.** **26-02**
(52) **U.S. Cl.**

(57) **CLAIM**

USPC **D26/37**
(58) **Field of Classification Search**
USPC D26/37–51
CPC F21L 2003/00; F21L 4/00; F21L 4/005;
F21L 4/02; F21L 4/025; F21L 4/027;
F21L 4/04; F21L 4/08; F21L 2005/00;
F21L 7/00; F21L 11/00; F21L 13/00;
F21L 13/04; F21L 13/08; F21L 14/02;
F21L 17/00; F21L 19/00; F21L 25/00
See application file for complete search history.

The ornamental design for a portable light, as shown and described.

DESCRIPTION

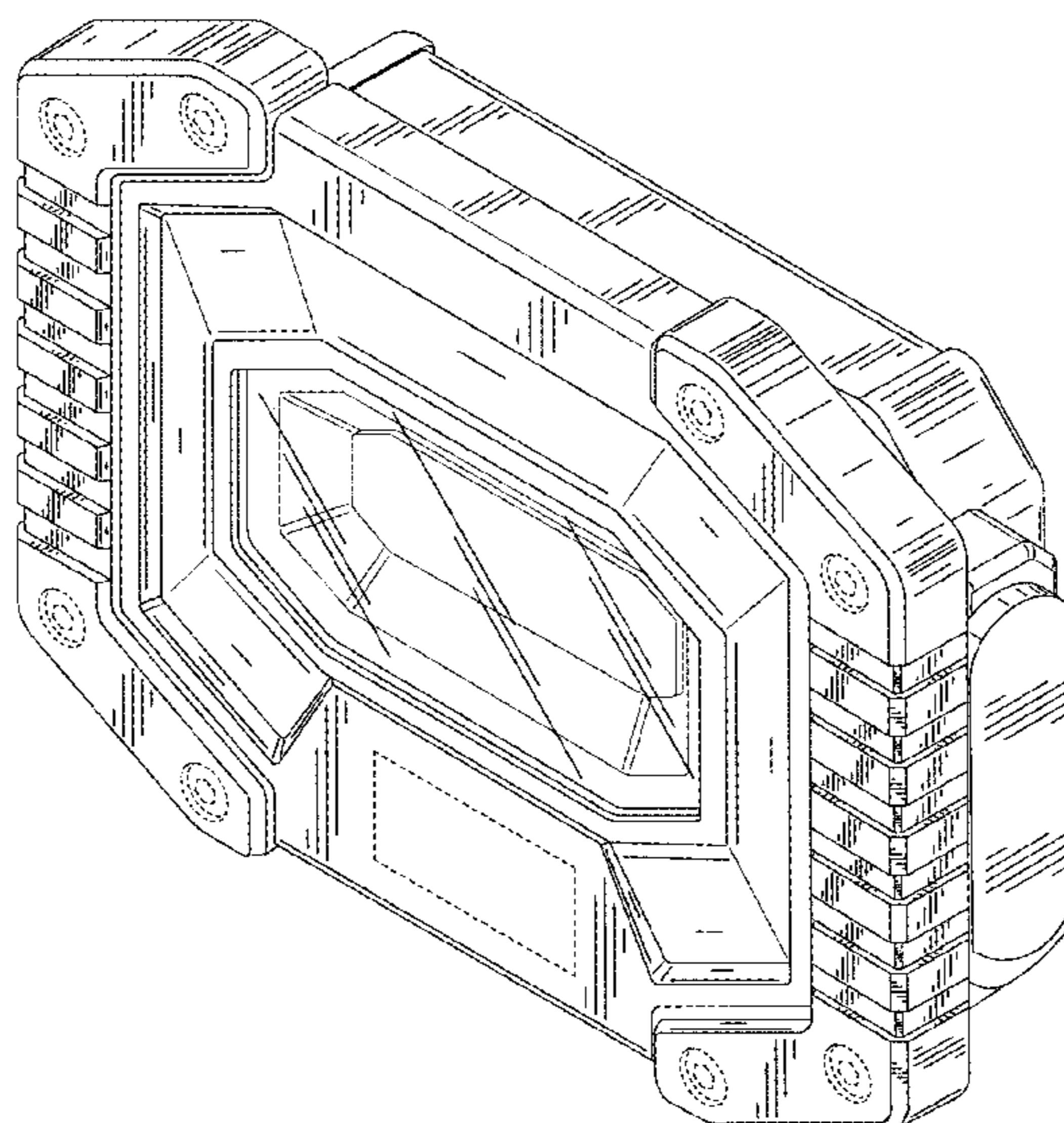
(56) **References Cited**

U.S. PATENT DOCUMENTS

D217,638 S 5/1970 Magi
D316,305 S 4/1991 Court
5,469,345 A 11/1995 Pettersen et al.
5,720,543 A 2/1998 Sheps
D438,667 S 3/2001 Leen

FIG. 1 is a front/side elevational perspective view of the portable light;
FIG. 2 is a front view of the portable light;
FIG. 3 is a rear view of the portable light;
FIG. 4 is a first side view of the portable light;
FIG. 5 is a second side view of the portable light;
FIG. 6 is a top view of the portable light; and,
FIG. 7 is a bottom view of the portable light.
The broken lines in the figures represent portions of the portable light that form no part of the claimed design.

1 Claim, 5 Drawing Sheets



(56)

References Cited

U.S. PATENT DOCUMENTS

D608,938 S 1/2010 Schmitt et al.
 D622,879 S 8/2010 Kotsis et al.
 D629,131 S 12/2010 Seal et al.
 D629,561 S 12/2010 Kim et al.
 D630,374 S 1/2011 Leen
 7,932,528 B2 4/2011 Tessnow
 D639,469 S 6/2011 Zhuang
 D654,387 S 2/2012 Wilson et al.
 D659,867 S 5/2012 Zhan
 D665,522 S 8/2012 Werner et al.
 D682,451 S 5/2013 Hardy
 D693,500 S 11/2013 Souvay et al.
 D695,434 S 12/2013 Shen
 D702,865 S 4/2014 Yuen
 D703,355 S 4/2014 Kotsis
 D703,356 S 4/2014 Grandadam
 D706,478 S 6/2014 Yuen
 D731,988 S 6/2015 Urtiga et al.
 D732,220 S 6/2015 Bao
 D734,886 S 7/2015 Lazalier et al.
 D735,387 S 7/2015 Bao
 D736,442 S 8/2015 Kovacik et al.
 D737,491 S 8/2015 Shen
 D738,022 S 9/2015 Shen
 D742,058 S 10/2015 Chen
 D744,139 S 11/2015 Itoh et al.
 D744,964 S 12/2015 Sachsenweger
 D748,448 S 2/2016 Nelson
 D750,307 S 2/2016 Borring
 D750,832 S 3/2016 Lehman
 D751,739 S 3/2016 Hamasaki
 D753,333 S 4/2016 Hamasaki
 D754,900 S 4/2016 Mumma et al.
 D756,014 S 5/2016 Bao
 D757,585 S 5/2016 Hojmose
 D763,492 S 8/2016 Bryant et al.

D766,481 S 9/2016 Lipson
 D798,483 S * 9/2017 Hoffmann D26/63
 D803,440 S * 11/2017 Tompkin D26/37
 D805,666 S * 12/2017 Nguyen D26/37
 D806,294 S * 12/2017 Nguyen D26/37
 D820,489 S * 6/2018 Zhang D26/44
 D825,500 S * 8/2018 Nishio D13/180
 D827,170 S * 8/2018 Zhang D26/44
 D827,917 S * 9/2018 Botti D26/138
 D828,938 S * 9/2018 Hou D26/38
 D829,354 S * 9/2018 Cacciabeve D26/37
 2005/0018421 A1 1/2005 Parsons
 2005/0265035 A1 12/2005 Brass et al.
 2006/0087846 A1 4/2006 Yuen
 2006/0109662 A1 5/2006 Reiff et al.
 2006/0146523 A1 7/2006 Yuen
 2006/0193127 A1 8/2006 Kumthampinij et al.
 2007/0115674 A1 5/2007 Tessnow
 2008/0225518 A1 9/2008 Devaney et al.
 2009/0122546 A1 5/2009 Liu
 2011/0063849 A1 3/2011 Alexander et al.
 2011/0140147 A1 6/2011 Chen et al.
 2011/0193111 A1 8/2011 Seo et al.
 2012/0033415 A1 2/2012 Sharrah et al.
 2012/0327665 A1 12/2012 Pickard et al.
 2013/0241435 A1 9/2013 Lamvik et al.
 2013/0272016 A1 10/2013 Weaver
 2014/0126192 A1 5/2014 Ancona et al.
 2014/0313706 A1 10/2014 Itoh et al.
 2015/0131276 A1 5/2015 Thompson et al.
 2015/0263239 A1 9/2015 Watanabe

OTHER PUBLICATIONS

Rechargeable work light, [online] [site visited Nov. 6, 2019] Available on the internet, < <https://www.youtube.com/watch?v=sLBzHzU9IrE> > 1 page (Year: 2016).*

* cited by examiner

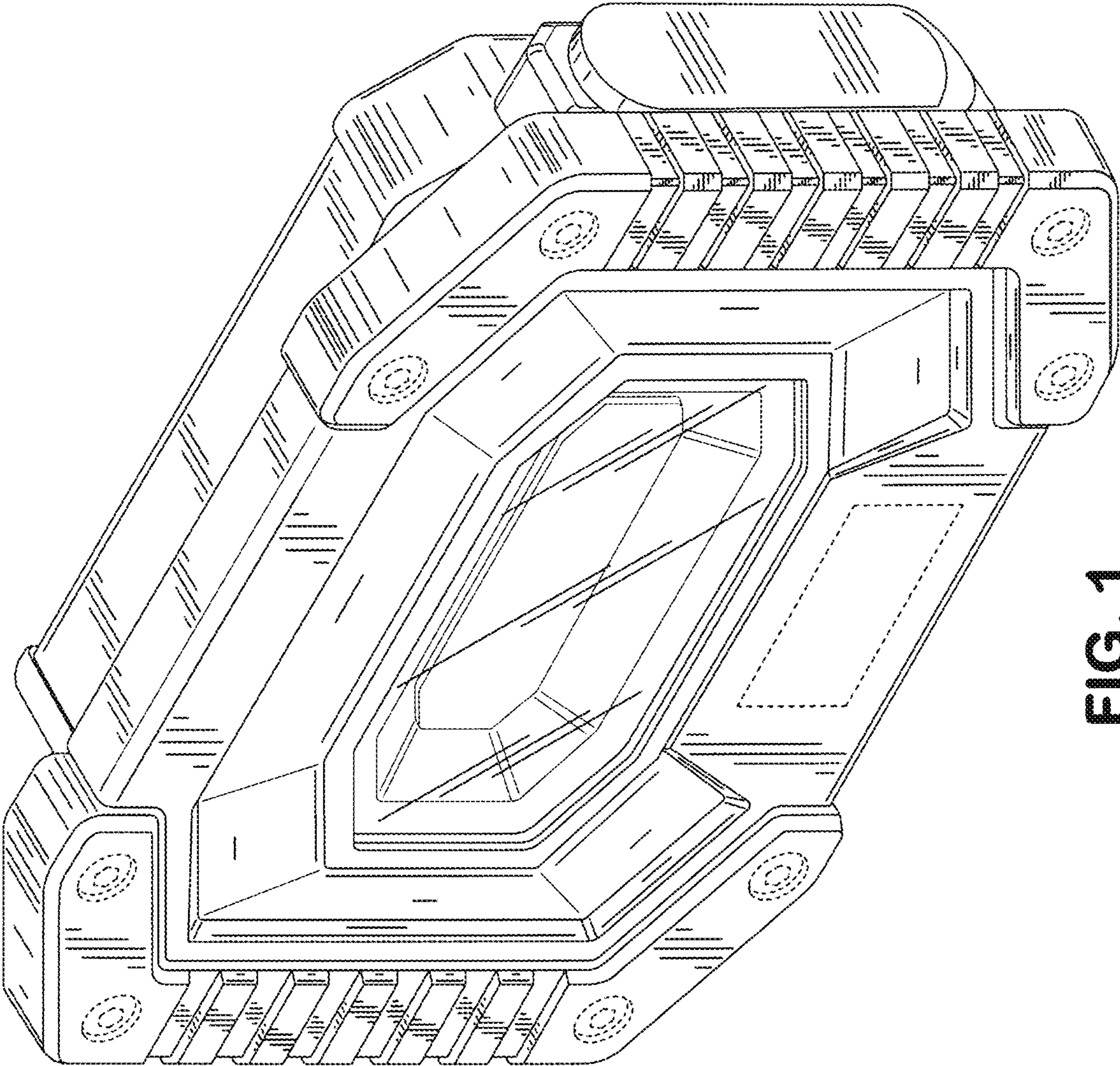


FIG. 1

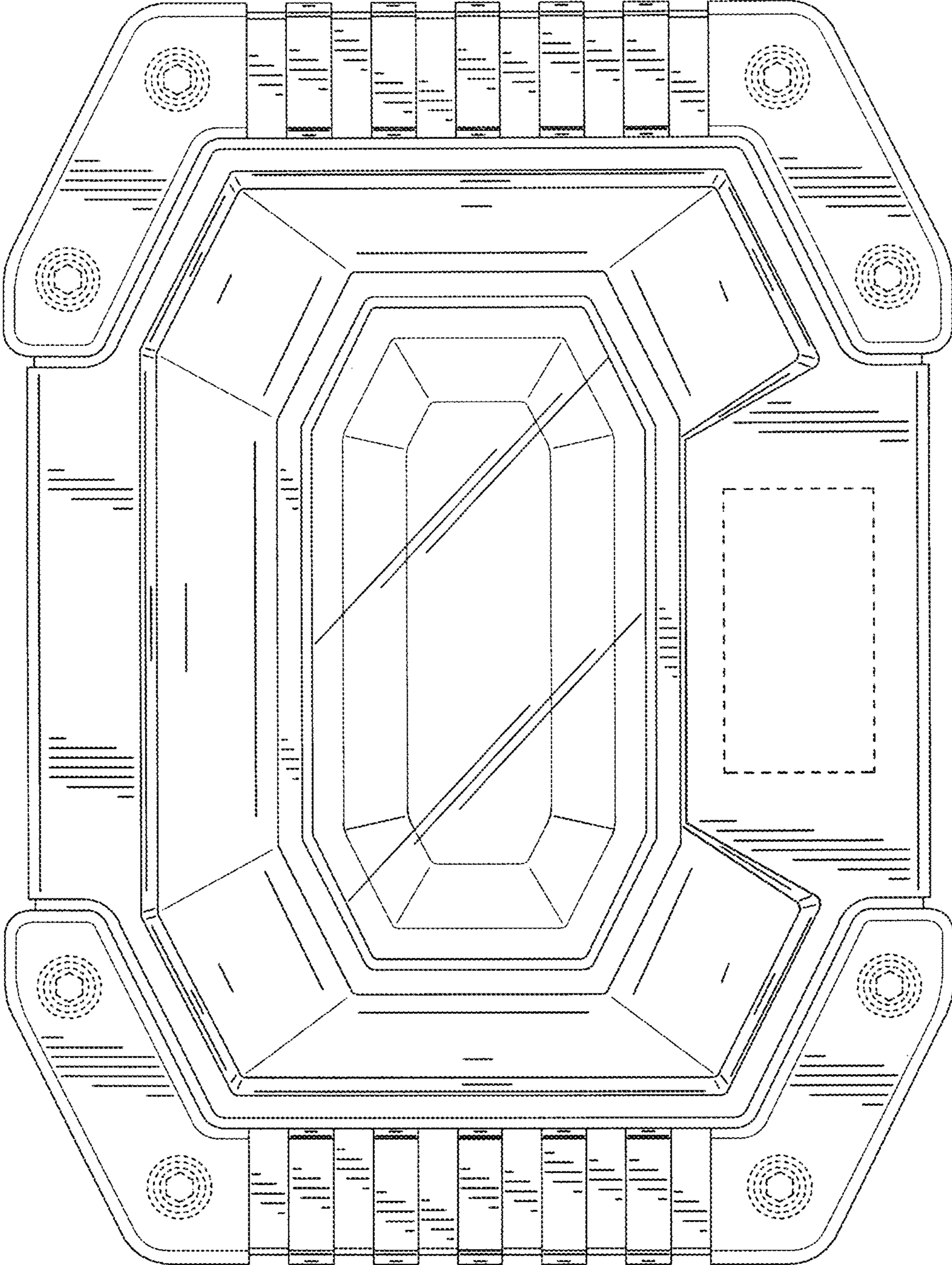


FIG. 2

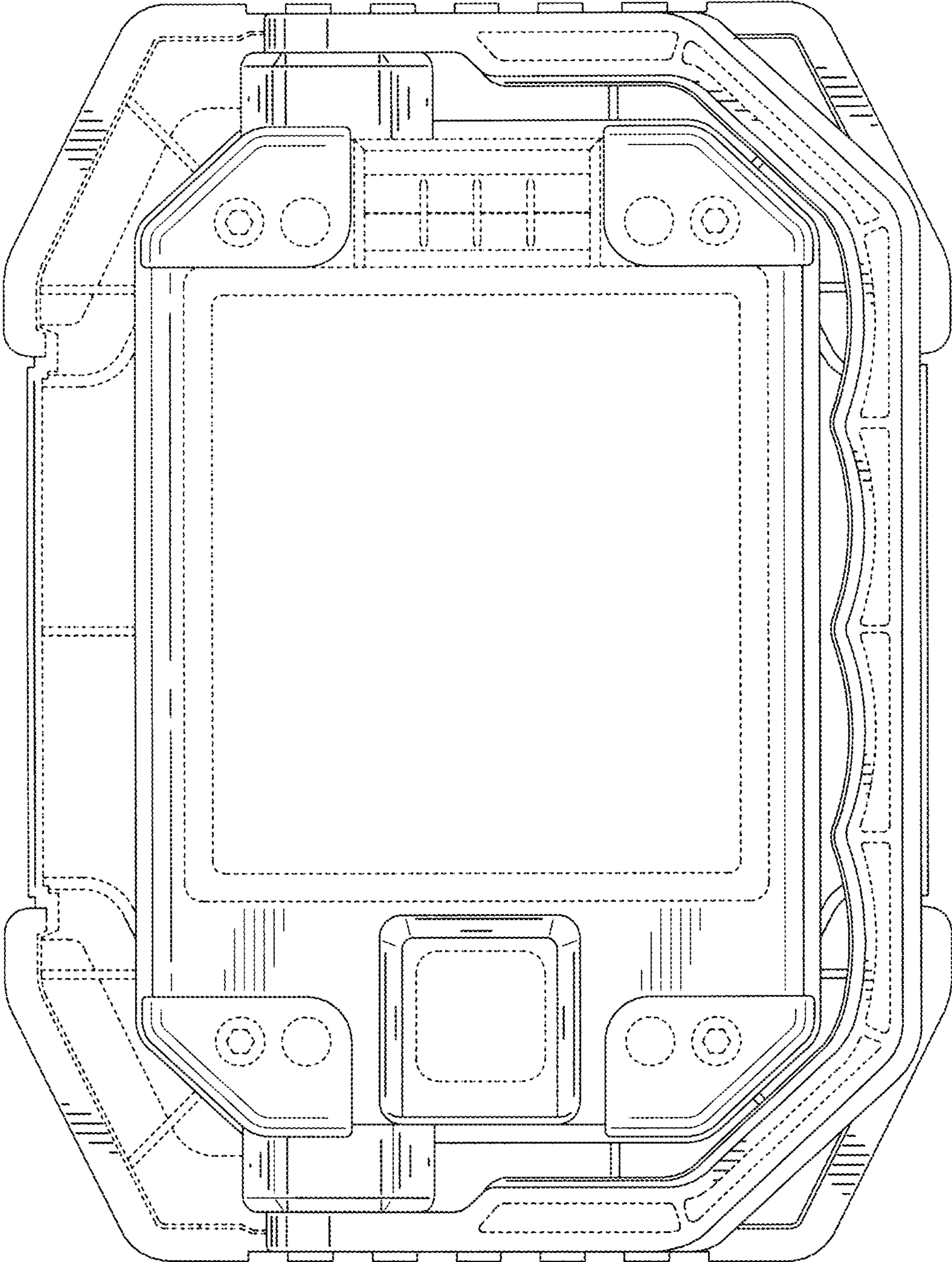


FIG. 3

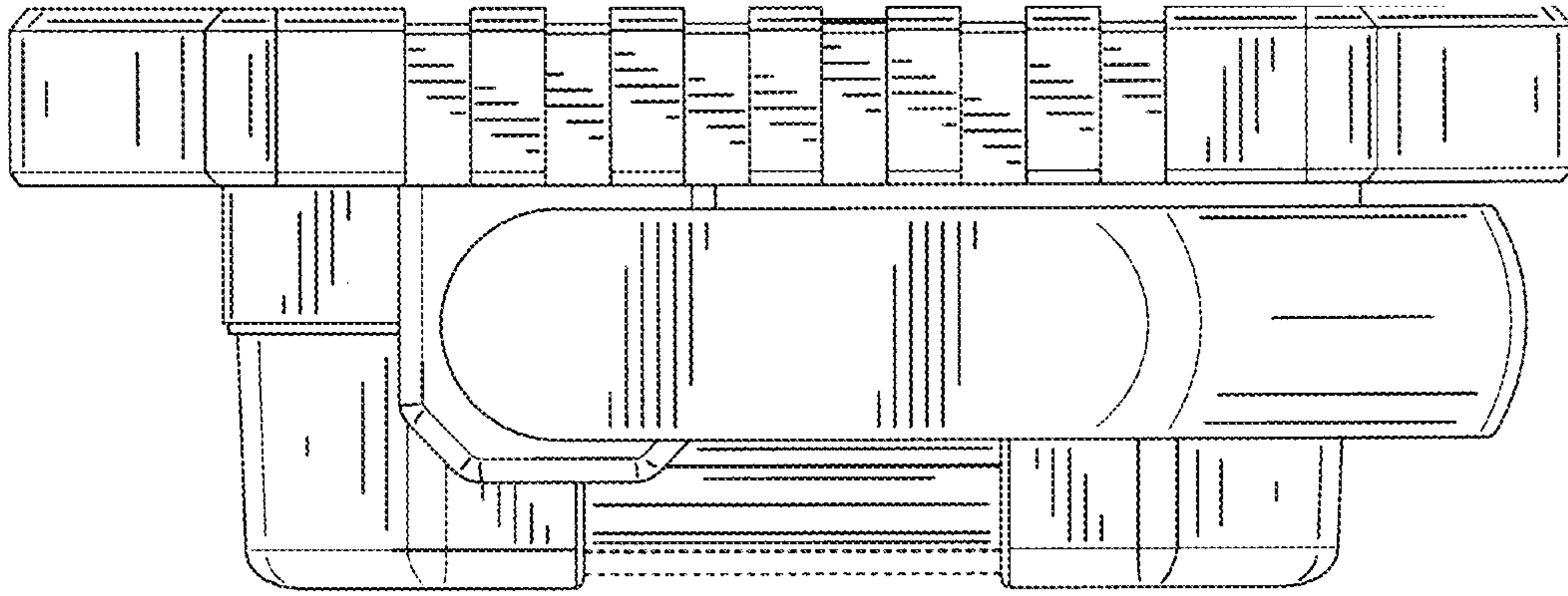


FIG. 5

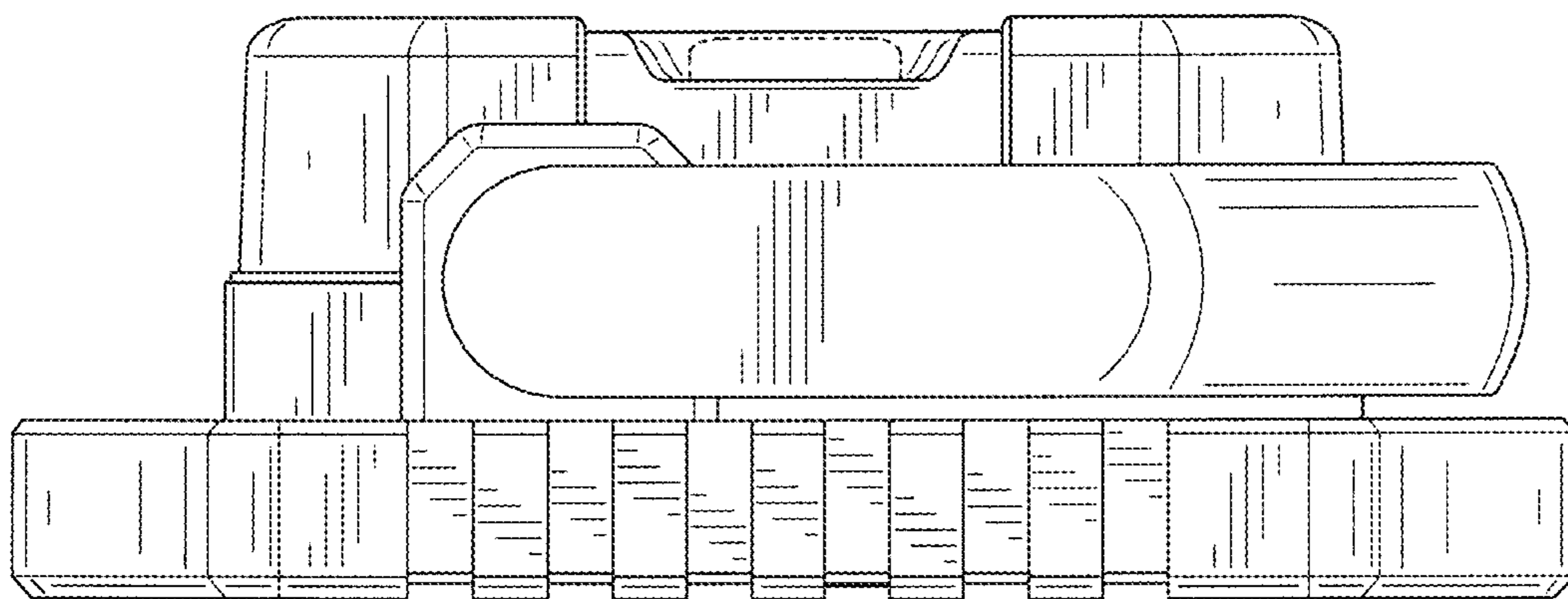


FIG. 4

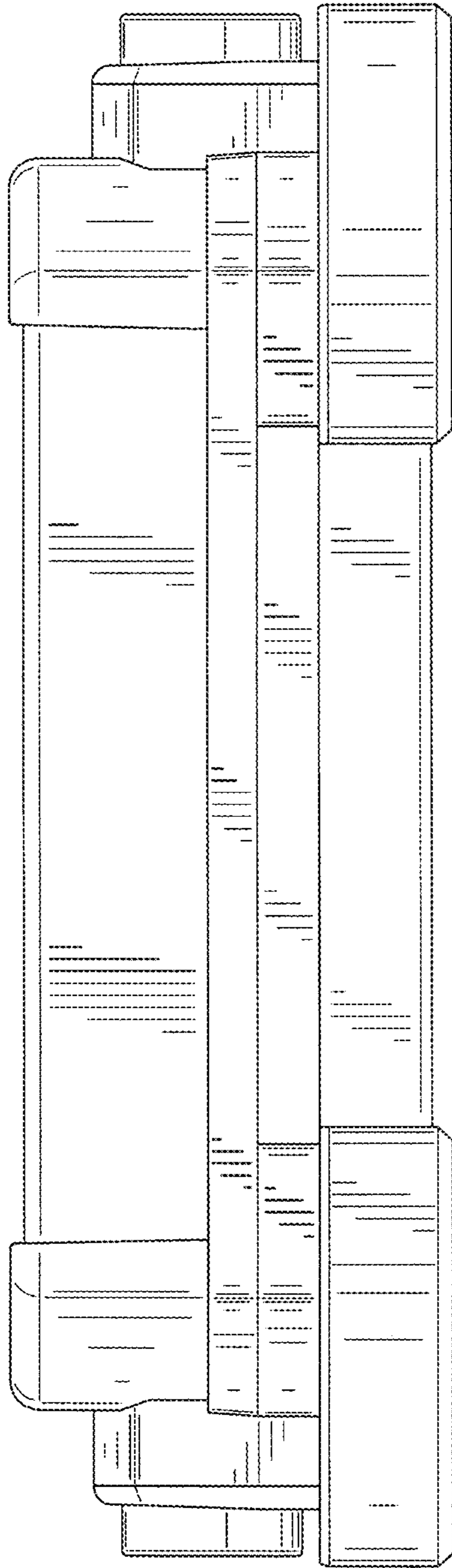


FIG. 6

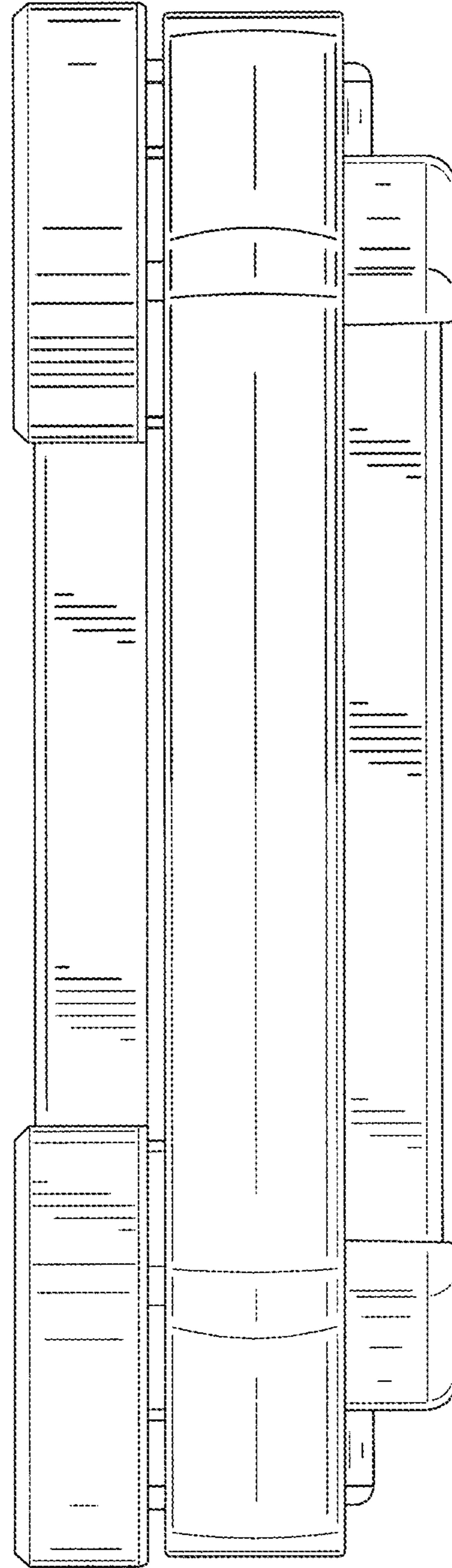


FIG. 7