



US00D875283S

(12) **United States Design Patent**  
**He**

(10) **Patent No.:** **US D875,283 S**

(45) **Date of Patent:** **\*\* Feb. 11, 2020**

(54) **HEADLIGHT FOR A VEHICLE**

(71) Applicant: **Arex Industries, Inc.**, Irwindale, CA  
(US)

(72) Inventor: **Mizeng He**, TaiZhou (CN)

(\*\*) Term: **15 Years**

(21) Appl. No.: **29/673,967**

(22) Filed: **Dec. 18, 2018**

(51) **LOC (12) Cl.** ..... **26-06**

(52) **U.S. Cl.**  
USPC ..... **D26/28**

(58) **Field of Classification Search**

USPC ..... D26/28-36, 139  
CPC ..... F21S 48/00; F21S 48/10; F21S 48/115;  
F21S 48/225; F21S 48/1233; F21S  
48/1266; F21S 48/1388; F21S 48/2268;  
F21V 21/04; F21V 29/004; B60Q 9/13;  
B60Q 9/135; B60Q 9/1375  
See application file for complete search history.

(56) **References Cited**

**U.S. PATENT DOCUMENTS**

D593,233 S \* 5/2009 Bai ..... D26/28  
D674,938 S \* 1/2013 Lai ..... D26/28

D757,970 S \* 5/2016 Binder ..... D26/28  
D797,332 S \* 9/2017 Lin ..... D26/28  
D802,812 S \* 11/2017 Lai ..... D26/28  
D809,682 S \* 2/2018 Lin ..... D26/28  
D819,849 S \* 6/2018 Lin ..... D26/28  
D824,058 S \* 7/2018 Hong ..... D26/28

\* cited by examiner

*Primary Examiner* — Marcus A Jackson

(74) *Attorney, Agent, or Firm* — Theodore S. Lee

(57) **CLAIM**

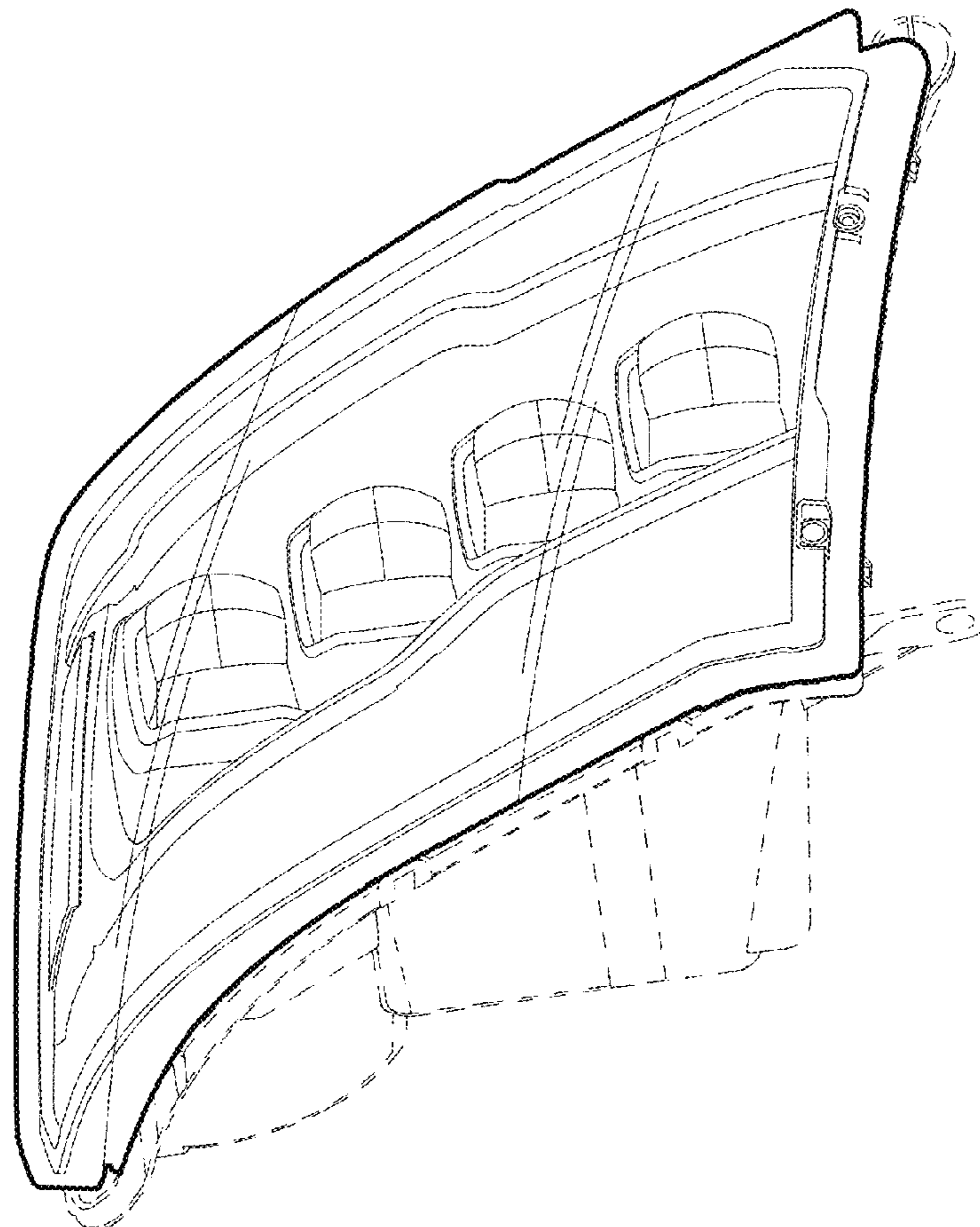
The ornamental design for an headlight for a vehicle, as shown and described.

**DESCRIPTION**

FIG. 1 is a perspective view of an headlight for a vehicle according to the novel design;  
FIG. 2 is an alternative perspective view  
FIG. 3 is left side view thereof;  
FIG. 4 is a front view thereof;  
FIG. 5 is a right side view; and,  
FIG. 6 is the top plan view.

The broken lines are for environmental purposes only and form no part of the claimed design. The design shown is not to be limited to any particular size and may be scaled larger or smaller. The drawings and descriptions represent the left side embodiment. The claim is also for a mirror image of a right side embodiment that is not shown.

**1 Claim, 6 Drawing Sheets**



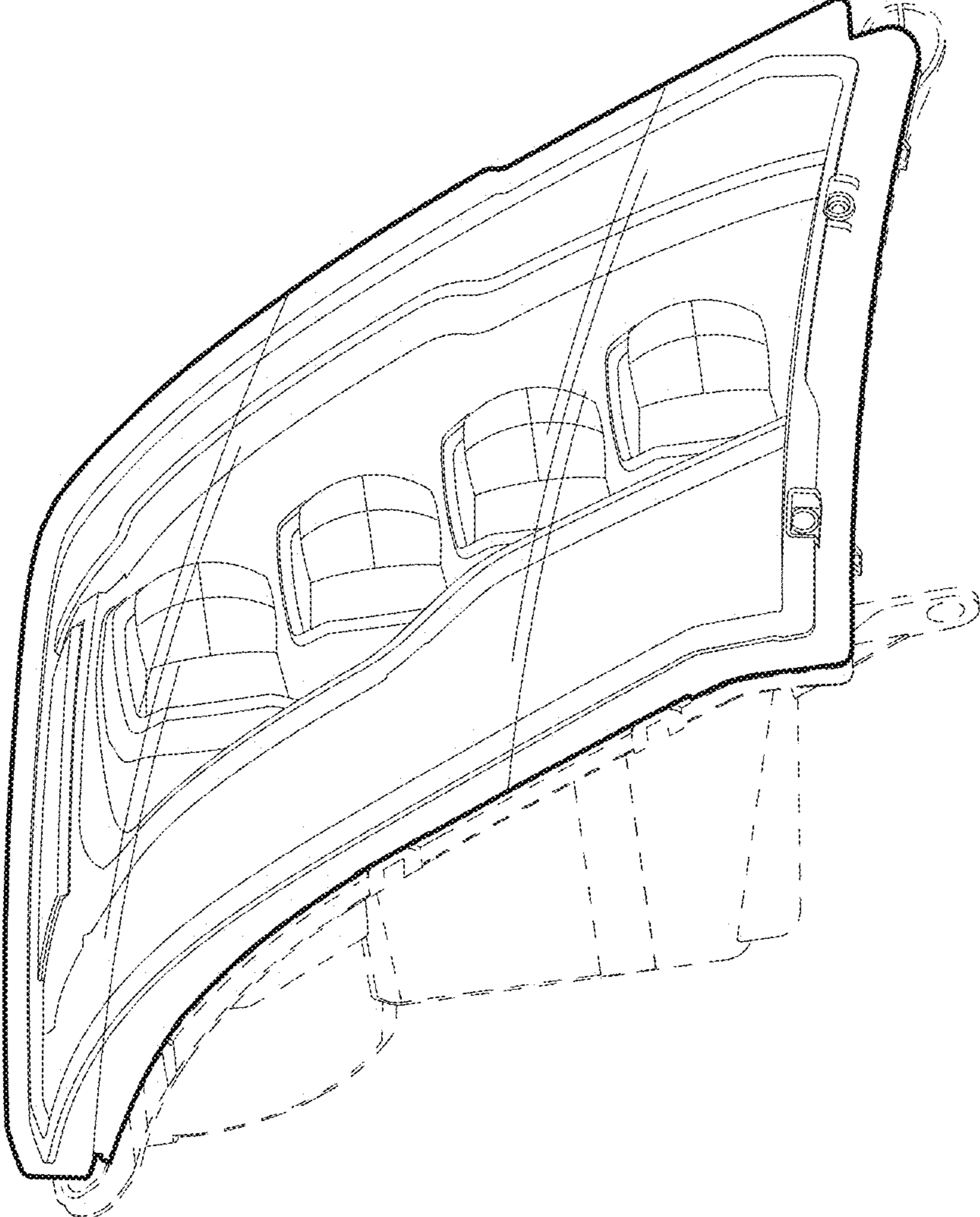


FIG. 1

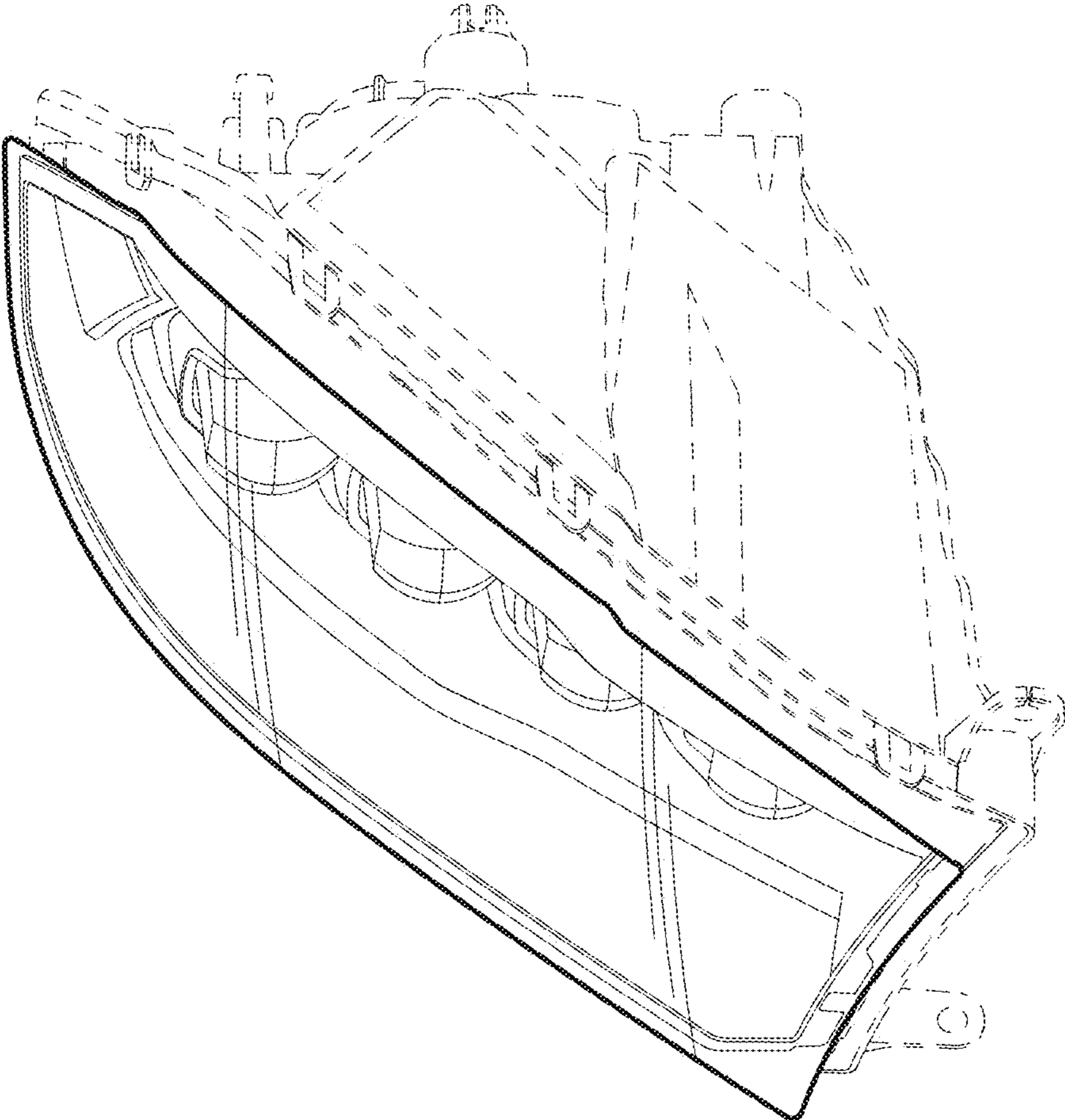


FIG. 2

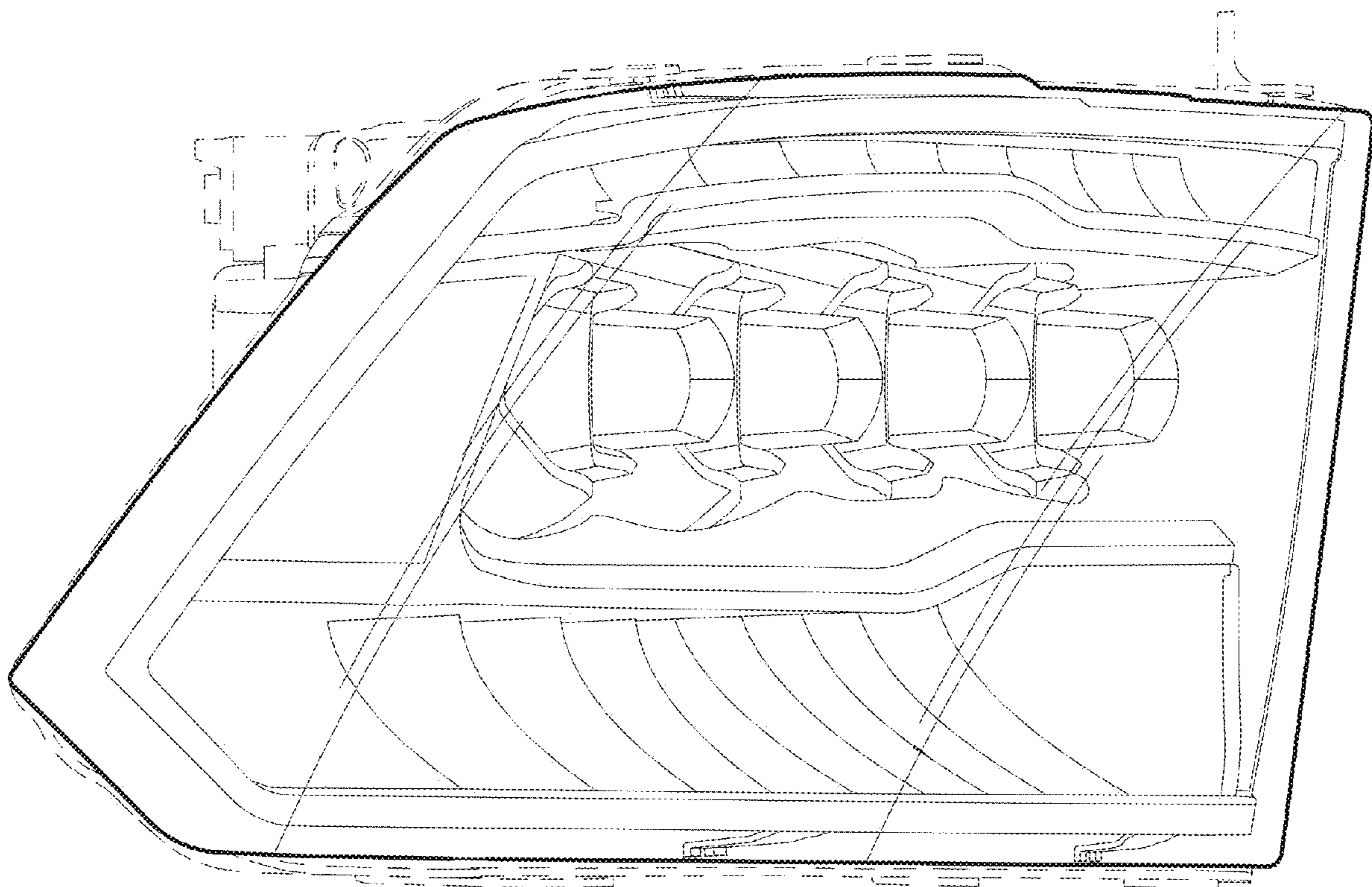


FIG. 3

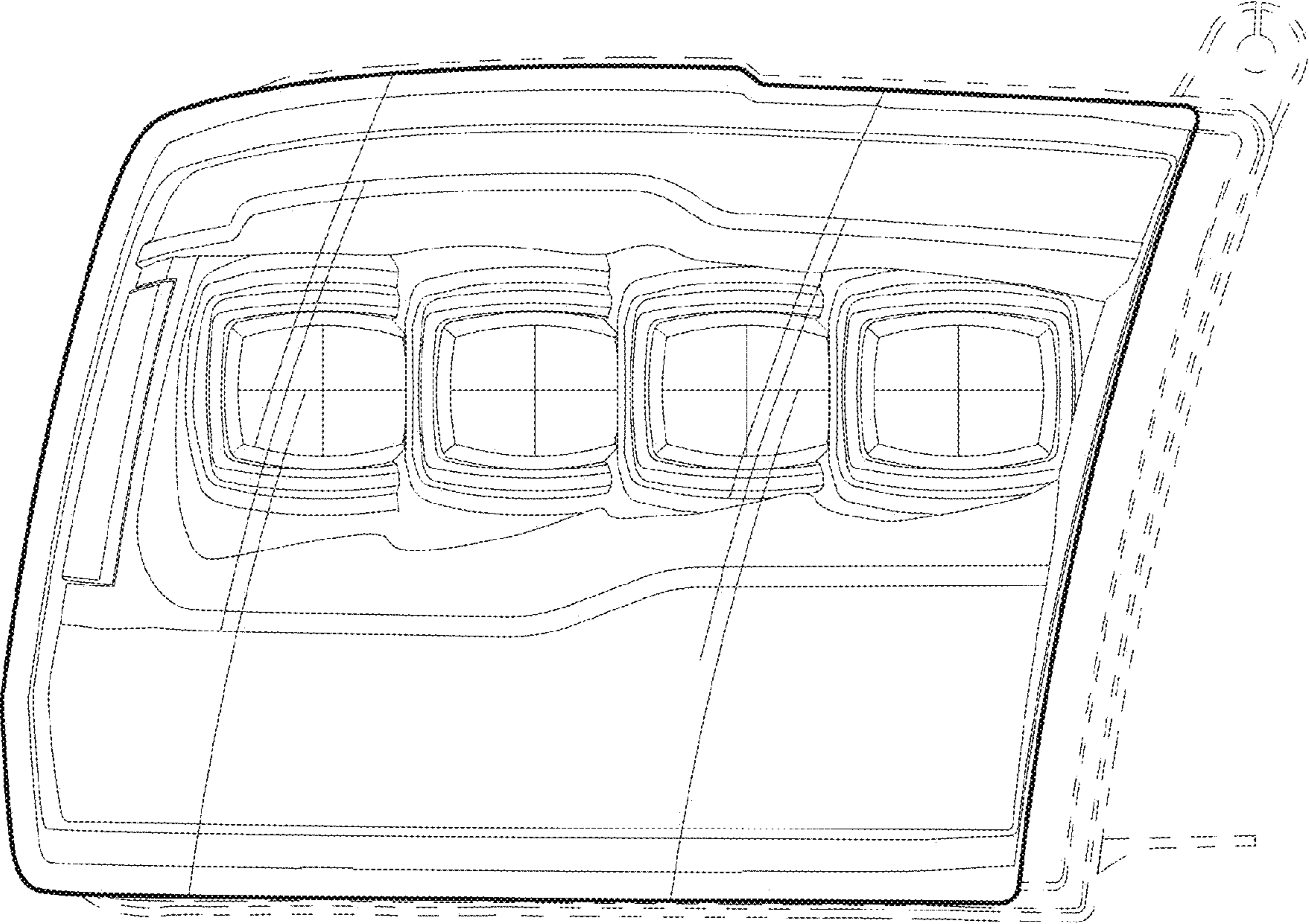


FIG. 4

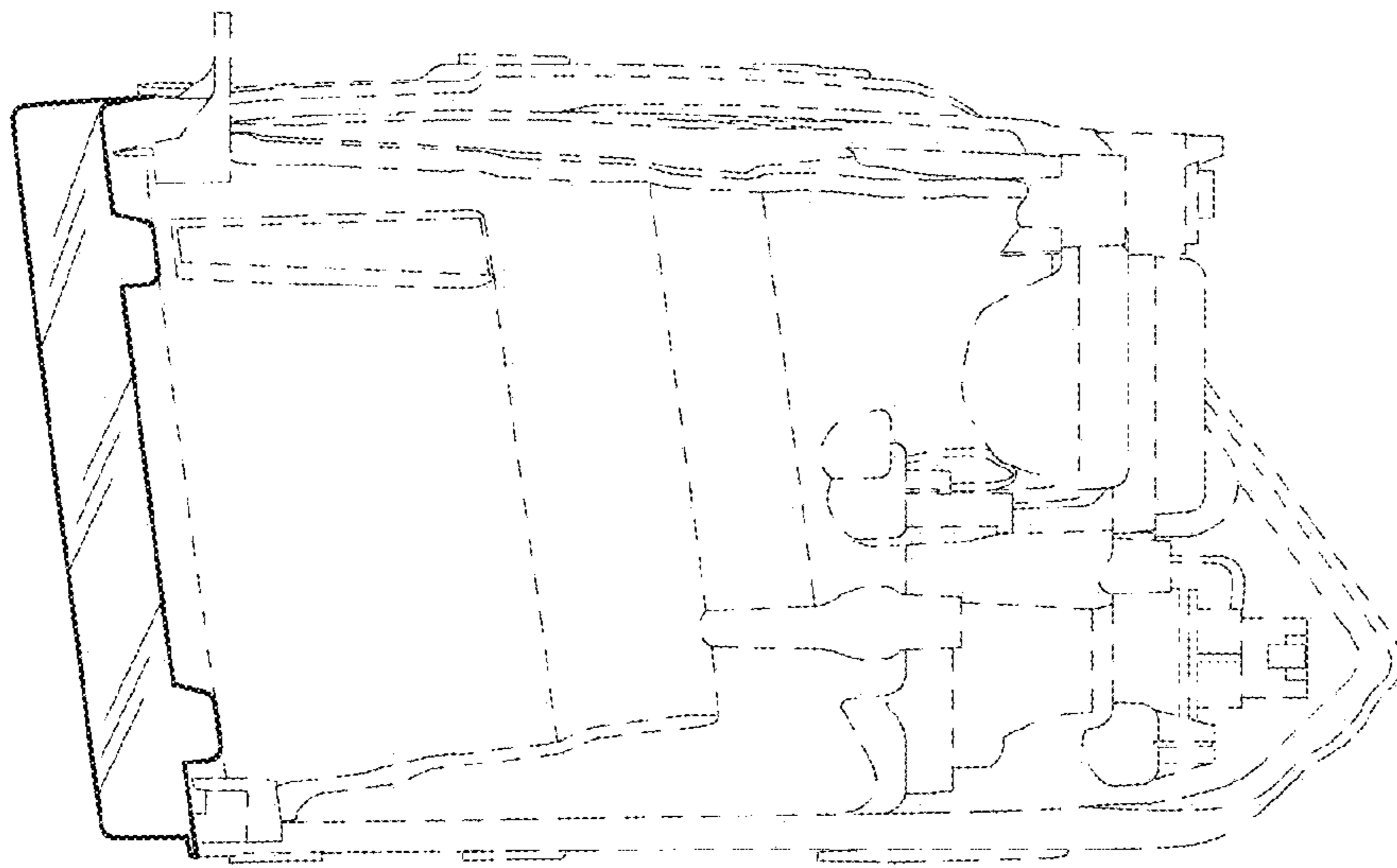


FIG. 5

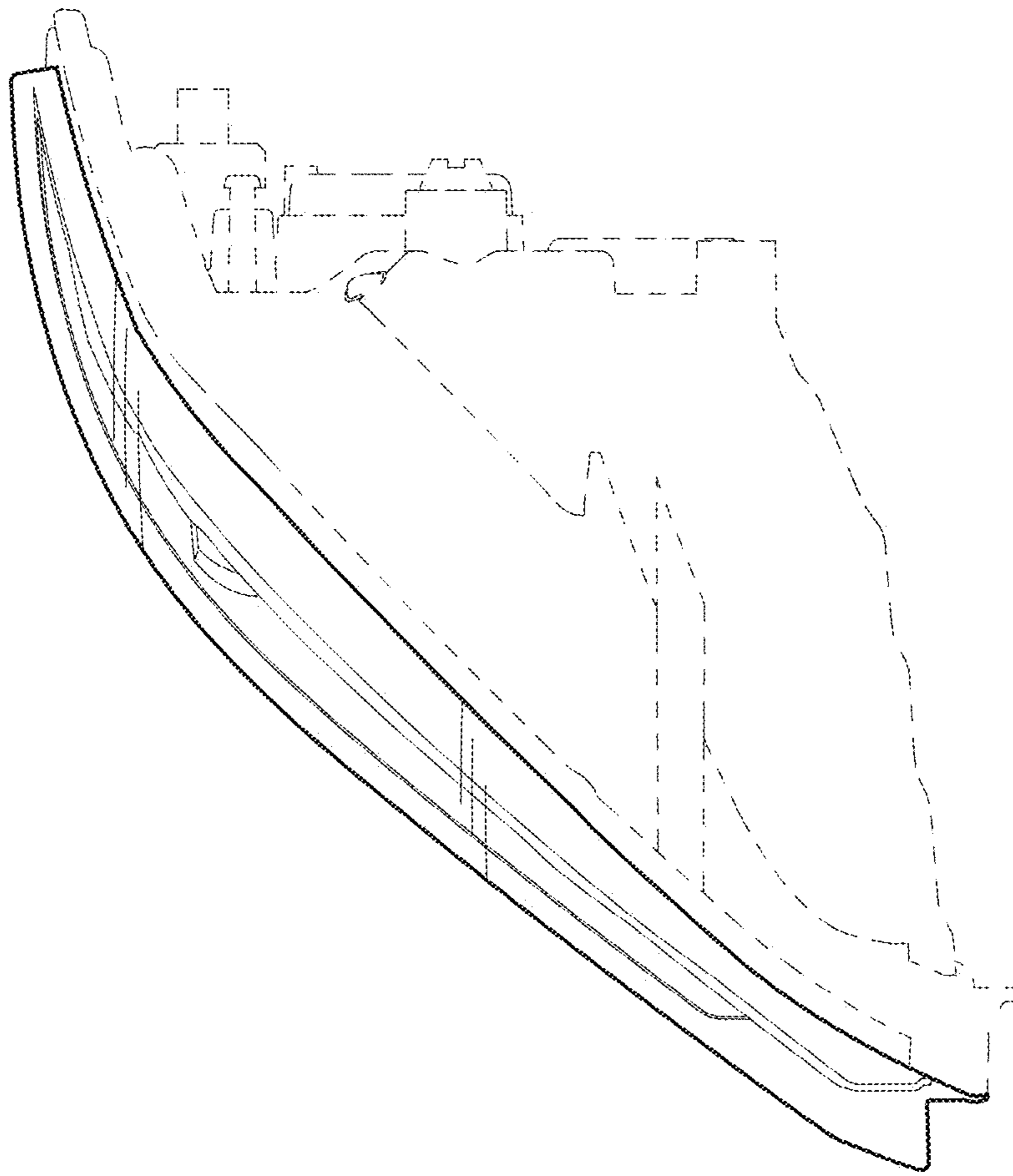


FIG. 6