



US00D875282S

(12) **United States Design Patent** (10) **Patent No.:** **US D875,282 S**  
**Huang** (45) **Date of Patent:** **\*\* \*Feb. 11, 2020**

(54) **VEHICLE LAMP**

(56) **References Cited**

(71) Applicant: **SIRIUS LIGHT TECHNOLOGY CO., LTD.**, Tainan (TW)

U.S. PATENT DOCUMENTS

(72) Inventor: **Ricky Huang**, Tainan (TW)

D583,085 S *	12/2008	Yang	.....	D26/28
D658,320 S *	4/2012	Goplen	.....	D26/28
D676,168 S *	2/2013	Lai	.....	D26/28
D686,355 S *	7/2013	Morgenstern	.....	D26/28
D718,894 S *	12/2014	Lai	.....	D26/28
D721,450 S *	1/2015	Lai	.....	D26/28
D754,375 S *	4/2016	Vena	.....	D26/28

(73) Assignee: **SIRIUS LIGHT TECHNOLOGY CO., LTD.**, Tainan (TW)

(\* ) Notice: This patent is subject to a terminal disclaimer.

\* cited by examiner

(\*\*) Term: **15 Years**

*Primary Examiner* — Marcus A Jackson

(21) Appl. No.: **29/659,673**

(57) **CLAIM**

(22) Filed: **Aug. 10, 2018**

The ornamental design for a vehicle lamp, as shown and described.

(30) **Foreign Application Priority Data**

**DESCRIPTION**

Jun. 29, 2018 (TW) ..... 107303680

(51) **LOC (12) Cl.** ..... **26-06**

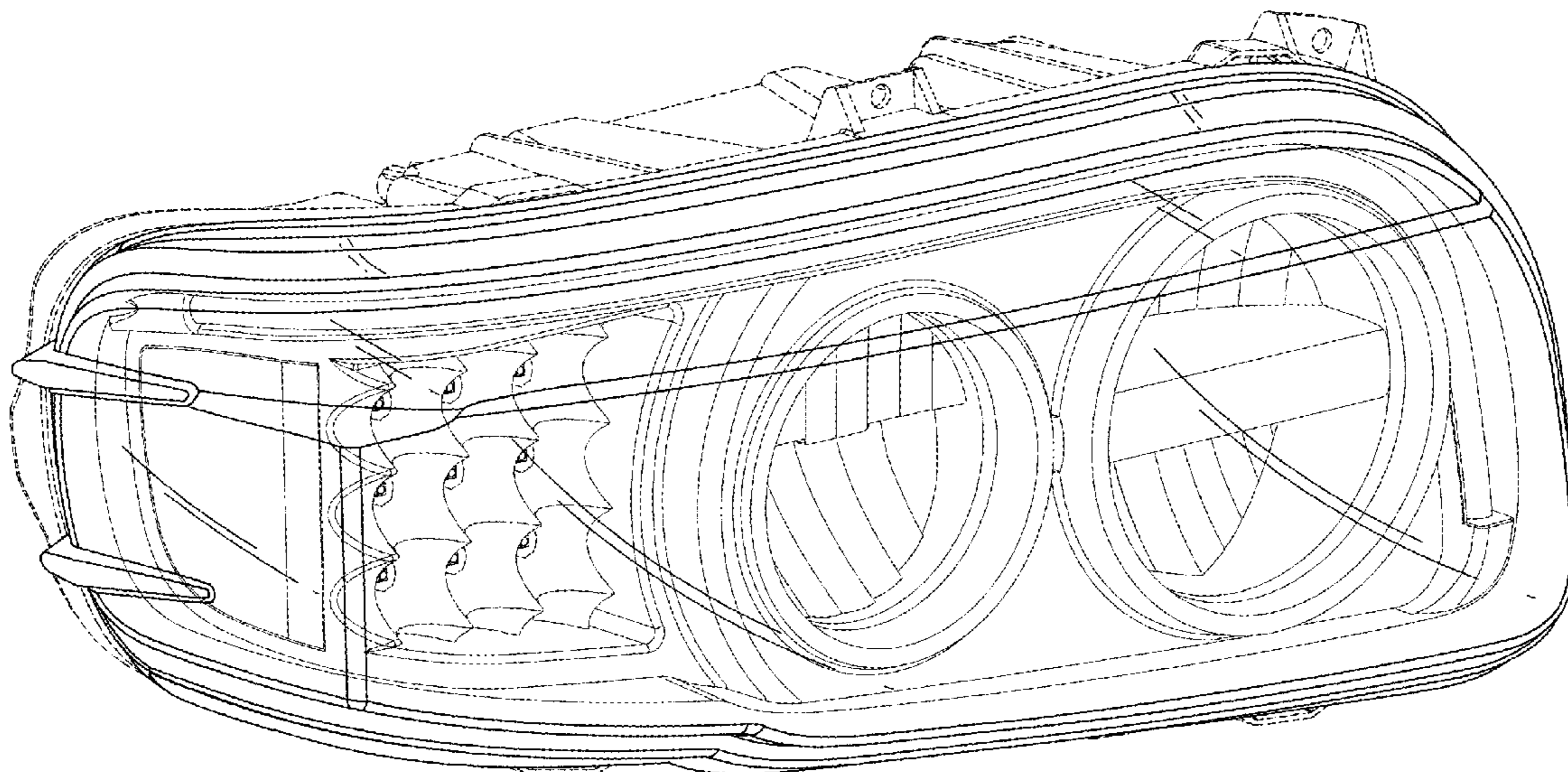
(52) **U.S. Cl.**  
USPC ..... **D26/28**

(58) **Field of Classification Search**  
USPC ..... D26/28-36, 139  
CPC ..... F21S 48/00; F21S 48/10; F21S 48/115;  
F21S 48/225; F21S 48/1233; F21S  
48/1266; F21S 48/1388; F21S 48/2268;  
F21V 5/00; B60Q 9/13; B60Q 9/135;  
B60Q 9/1375

FIG. 1 is a perspective view of a vehicle lamp showing my new design;  
FIG. 2 is a front elevational view thereof;  
FIG. 3 is a rear elevational view thereof;  
FIG. 4 is a left side elevational view thereof;  
FIG. 5 is a right side elevational view thereof;  
FIG. 6 is a top plan view thereof; and,  
FIG. 7 is a bottom plan view thereof.  
The broken lines depict portions of a vehicle lamp in which the design is embodied that form no part of the claimed design.

See application file for complete search history.

**1 Claim, 6 Drawing Sheets**



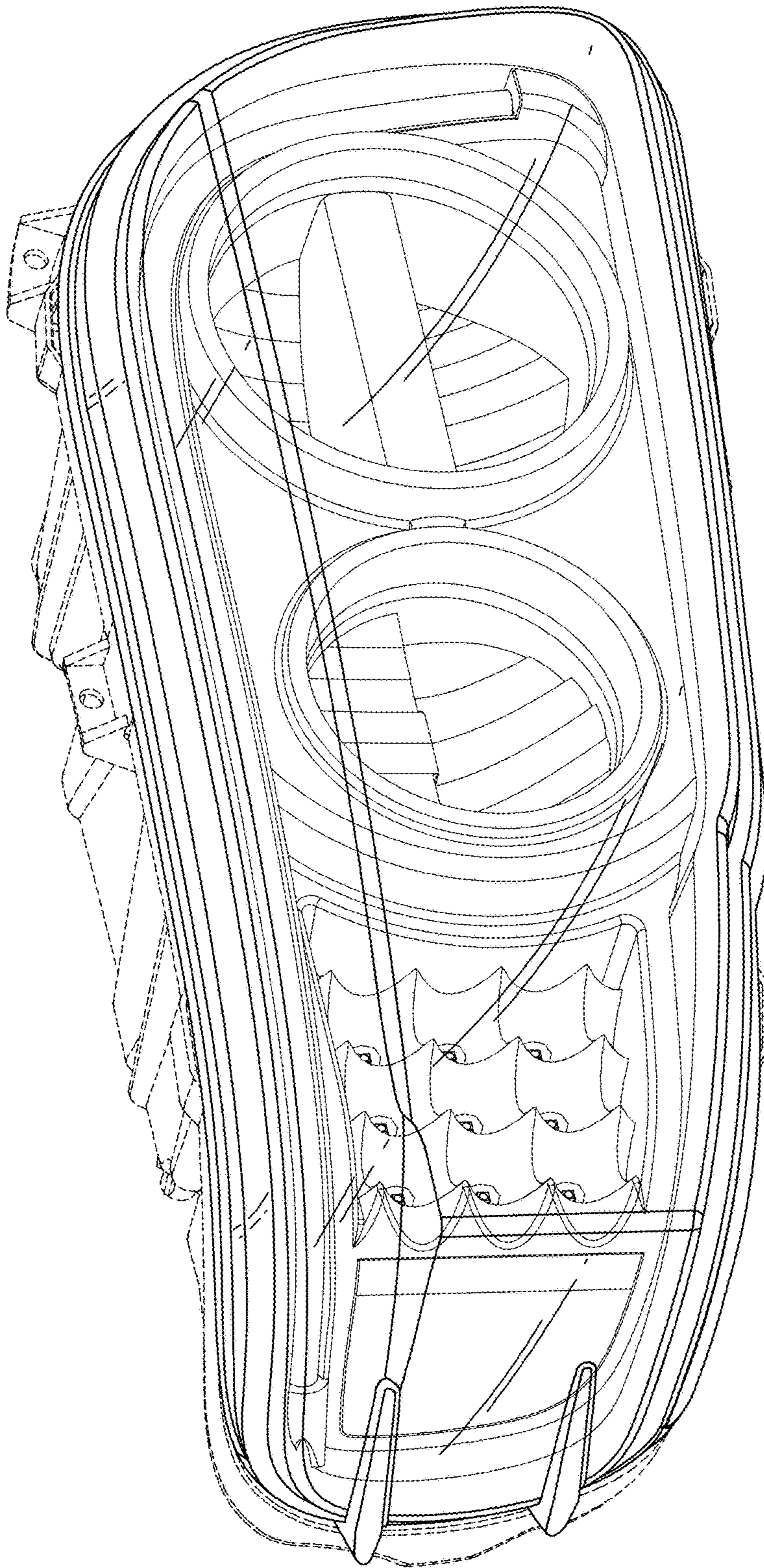


FIG. 1

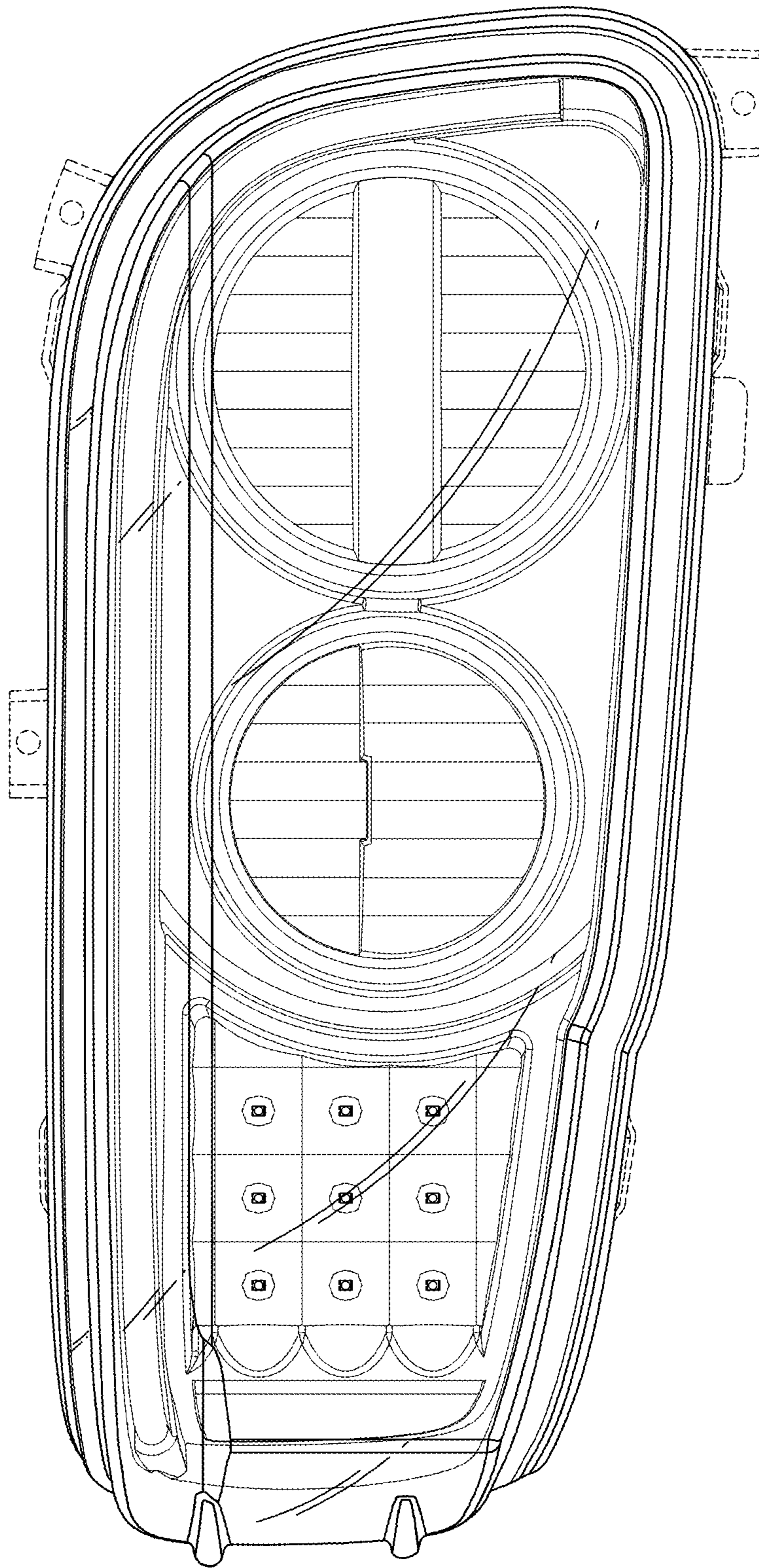


FIG.2

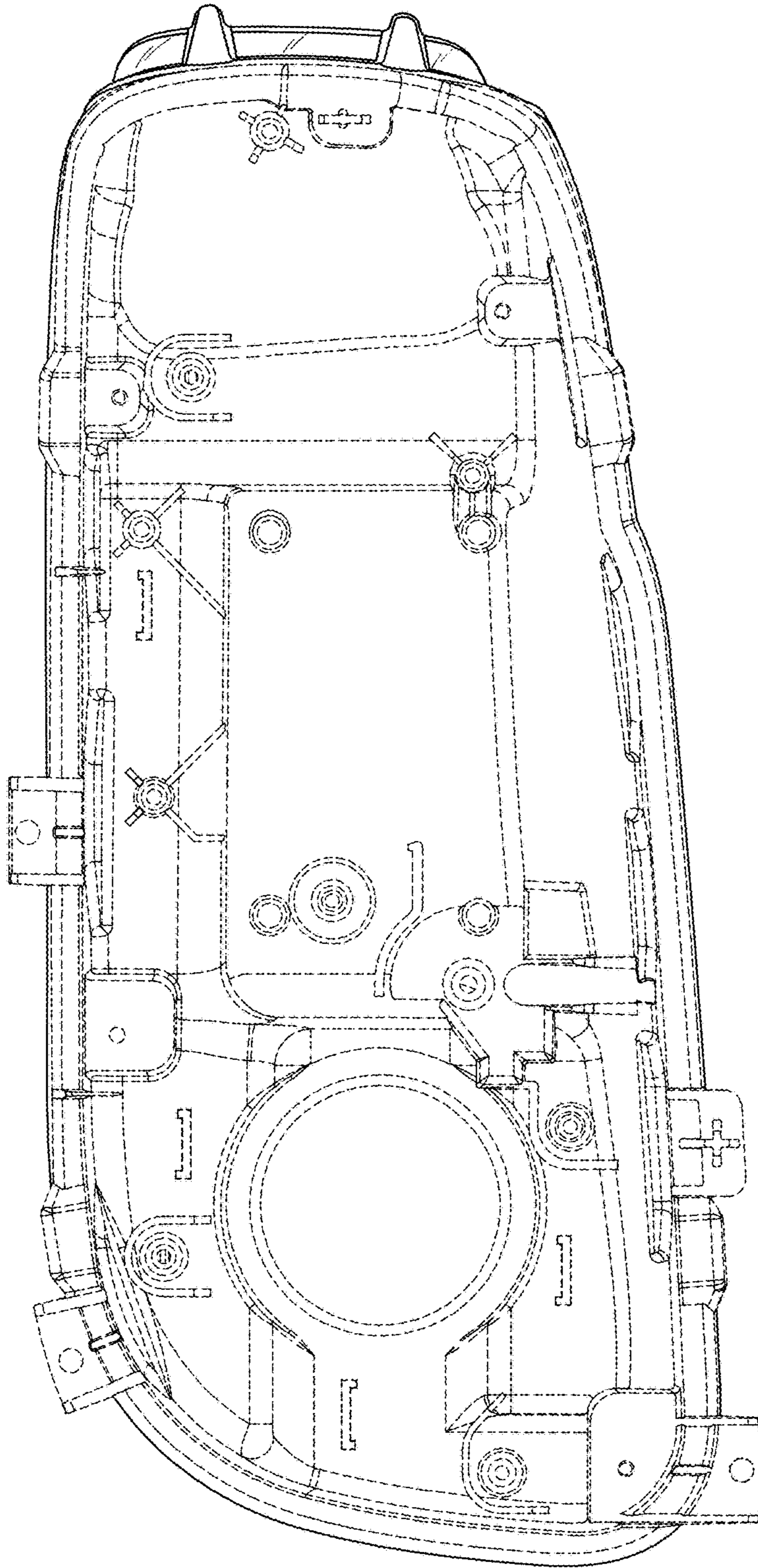


FIG.3

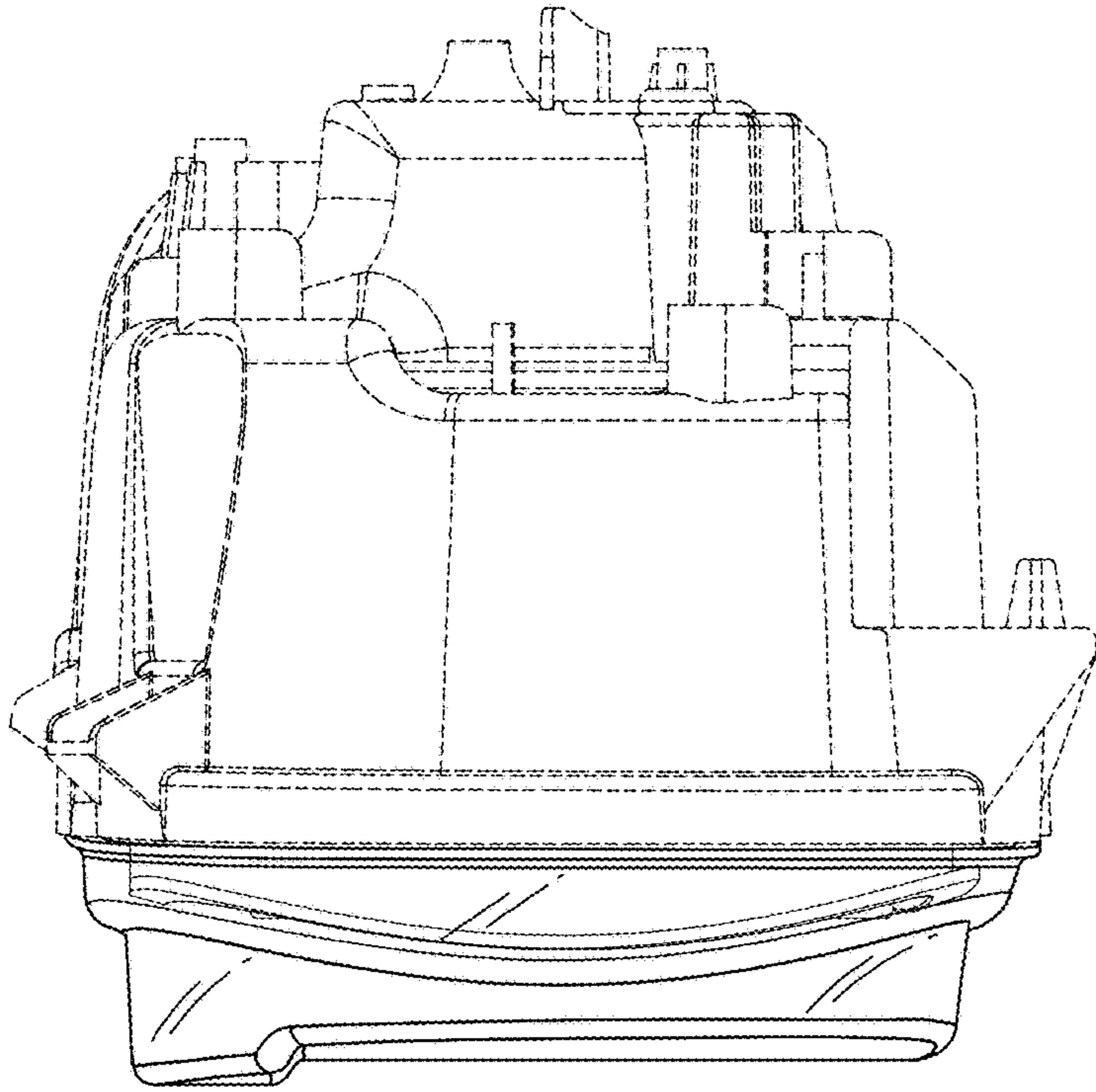


FIG. 5

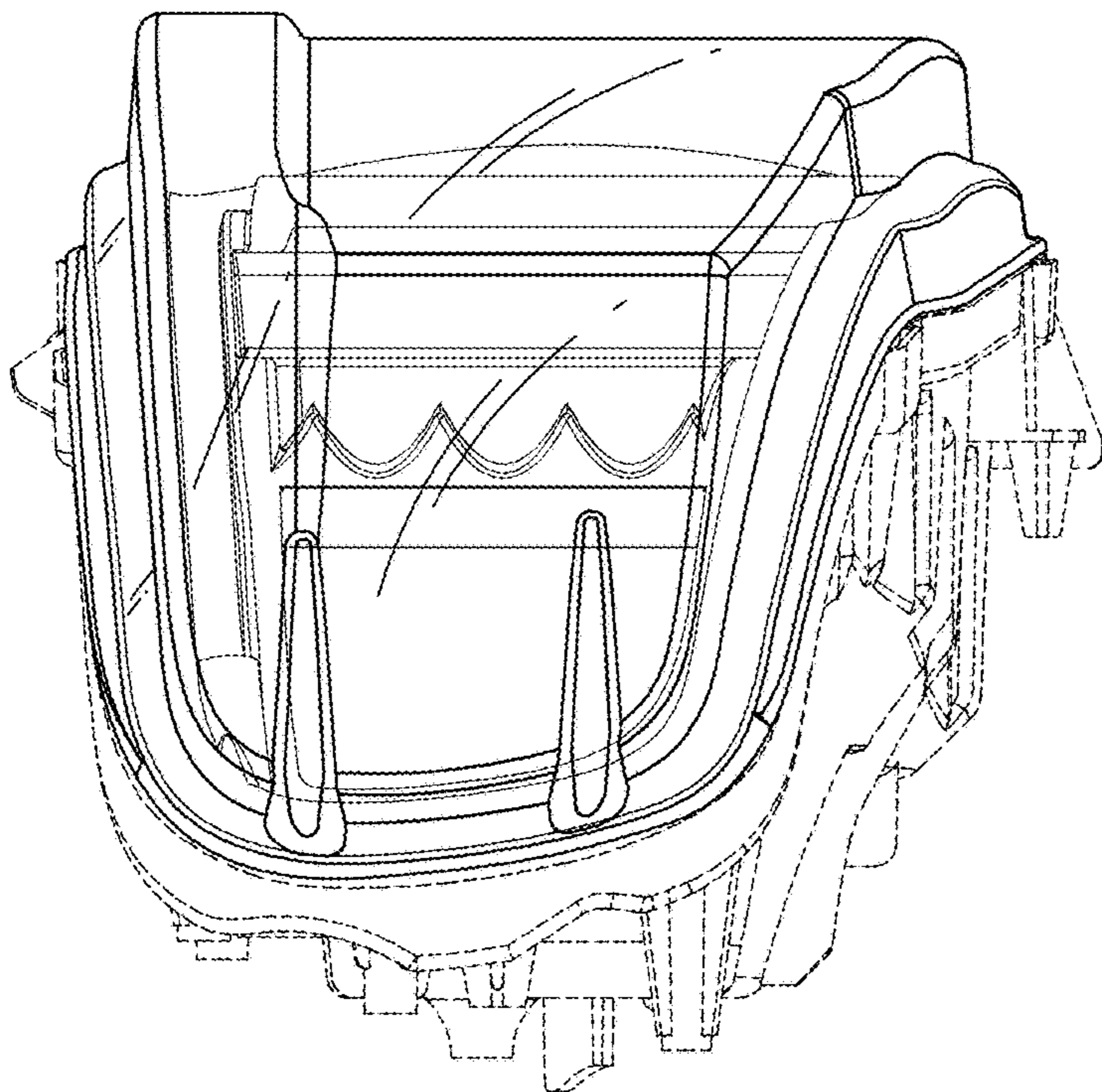


FIG. 4

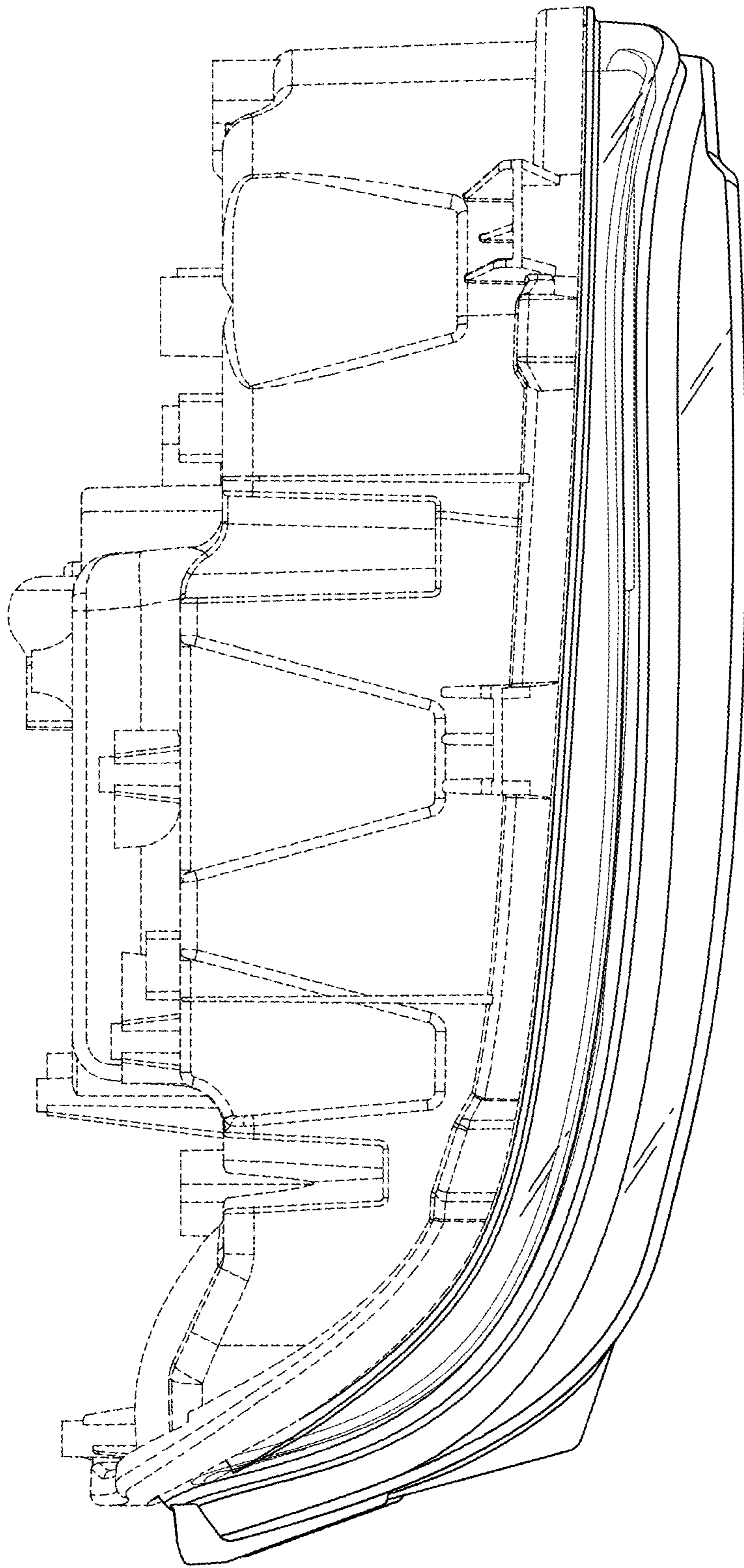


FIG.6

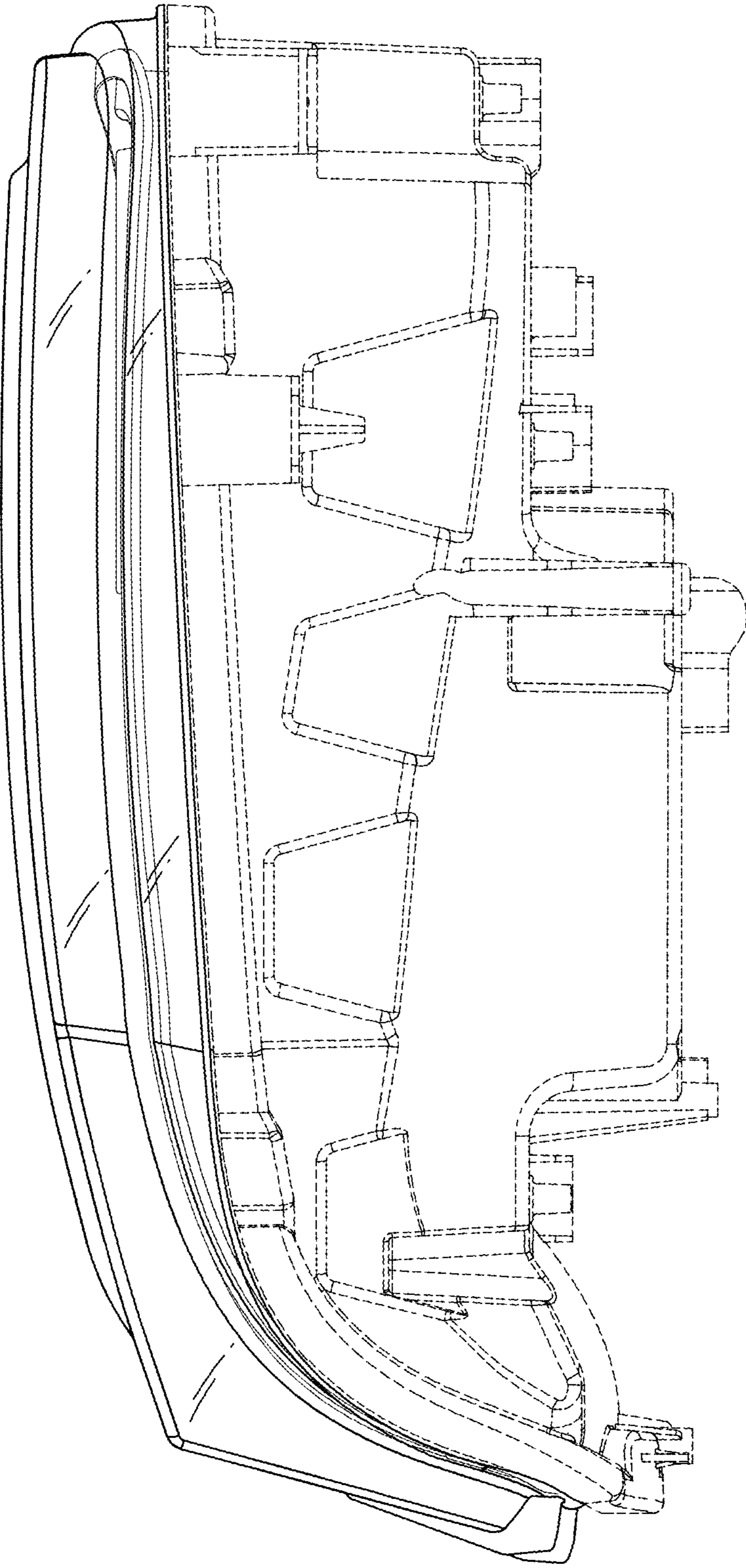


FIG. 7