



US00D875280S

(12) **United States Design Patent** (10) **Patent No.:** **US D875,280 S**  
**Lucas et al.** (45) **Date of Patent:** **\*\* Feb. 11, 2020**

(54) **VEHICLE TAIL LAMP BAR**

(71) Applicant: **Ford Global Technologies, LLC**,  
Dearborn, MI (US)  
  
(72) Inventors: **Earl C. Lucas**, Southfield, MI (US);  
**Keith Rogman**, Fenton, MI (US);  
**David Woodhouse**, Troy, MI (US);  
**Solomon Song**, Farmington Hills, MI  
(US); **Viet Nguyen**, Madison Heights,  
MI (US)

(73) Assignee: **Ford Global Technologies, LLC**,  
Dearborn, MI (US)

(\*\*) Term: **15 Years**

(21) Appl. No.: **29/624,504**

(22) Filed: **Nov. 1, 2017**

(51) **LOC (12) Cl.** ..... **26-07**

(52) **U.S. Cl.**  
USPC ..... **D26/28**

(58) **Field of Classification Search**  
USPC ..... D7/340, 402, 405, 406, 511; D8/316,  
D8/317, 319; D12/86, 90-92, 114, 163,  
D12/169, 171-173, 181, 190, 196, 197,  
D12/199, 400; D15/79-91; D17/1, 222;  
D26/28-36, 139; D32/3  
CPC .. B62J 6/02; B62J 6/00; B60Q 3/0279; B60Q  
3/104; B60Q 3/10408; B60Q 3/10466;  
B60Q 3/12653; B60Q 3/128; F21S 48/00;  
F21S 48/10; F21S 48/115; F21S 48/225;  
F21S 48/1233; F21S 48/1266; F21S  
48/1388; F21S 48/2268; F21V 21/04  
See application file for complete search history.

(56) **References Cited**

**U.S. PATENT DOCUMENTS**

D469,894 S \* 2/2003 Hsu ..... D26/28  
D596,768 S \* 7/2009 Shimizugami ..... D26/28

D637,746 S \* 5/2011 Kong ..... D26/28  
D684,711 S \* 6/2013 Chen ..... D26/28  
D711,025 S \* 8/2014 Gueler ..... D26/28  
D722,712 S \* 2/2015 Dubosc ..... D26/28  
D743,588 S \* 11/2015 Wolff ..... D26/28  
D747,016 S \* 1/2016 George ..... D26/28  
D759,278 S \* 6/2016 Kim ..... D26/31  
D775,751 S \* 1/2017 Jones, Jr. .... D26/28  
D780,961 S \* 3/2017 Curic ..... D26/28  
D791,375 S \* 7/2017 Lichte ..... D26/28  
D802,183 S \* 11/2017 Leutiger ..... D26/28  
D809,168 S \* 1/2018 Kennemer ..... D26/28  
D815,765 S \* 4/2018 Jacobsthal ..... D26/28

(Continued)

**OTHER PUBLICATIONS**

Suncoast Parts | Product | Tinted Tail Lights (718), first reviewed on  
Jun. 30, 2018, © 2018 Suncoast Parts and Accessories [online], [site  
visited Jan. 6, 2019]. Available from Internet, <URL: [https://www.  
suncoastparts.com/product/SKU718LIGHTS.html](https://www.suncoastparts.com/product/SKU718LIGHTS.html)>.\*

*Primary Examiner* — Philip S Hyder  
*Assistant Examiner* — Cary M Robinson

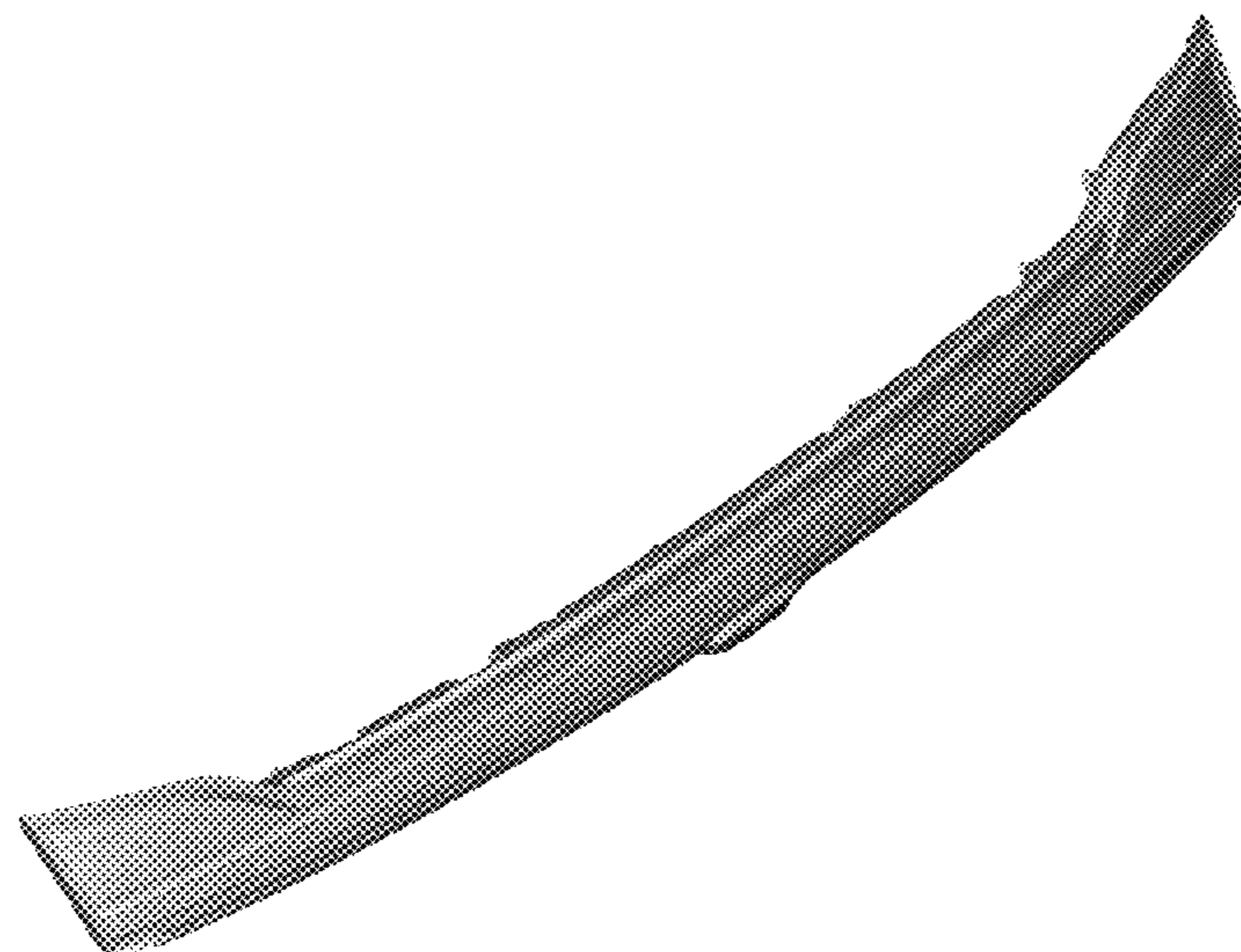
(57) **CLAIM**

The ornamental design for a vehicle tail lamp bar, as shown  
and described.

**DESCRIPTION**

FIG. 1 is a top, front, and left side perspective view of a  
vehicle tail lamp bar, showing our new design;  
FIG. 2 is a bottom, front, and left side perspective view  
thereof;  
FIG. 3 is a top, rear, and left side perspective view thereof;  
FIG. 4 is a front elevational view thereof;  
FIG. 5 is a rear elevational view thereof;  
FIG. 6 is a left side elevational view thereof;  
FIG. 7 is a right side elevational view thereof;  
FIG. 8 is a top plan view thereof; and,  
FIG. 9 is a bottom plan view thereof.

**1 Claim, 9 Drawing Sheets**



(56)

**References Cited**

U.S. PATENT DOCUMENTS

D822,237 S *	7/2018	Woodhouse .....	D26/28
D822,243 S *	7/2018	Lee .....	D26/28
D837,422 S *	1/2019	Yamashita .....	D26/28
D845,520 S *	4/2019	Mossner .....	D26/28
2016/0258598 A1 *	9/2016	Adams .....	F21S 45/49

\* cited by examiner

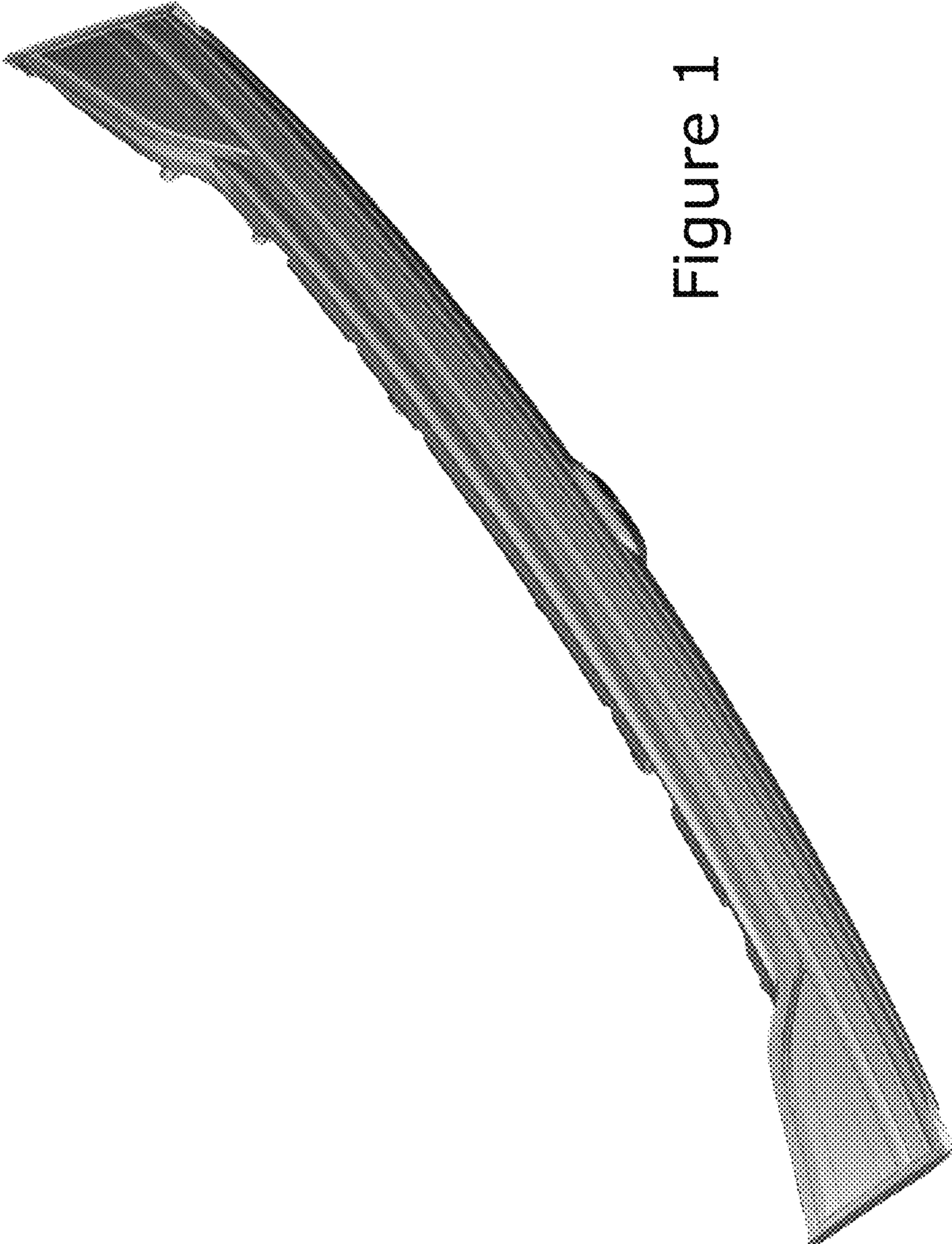


Figure 1

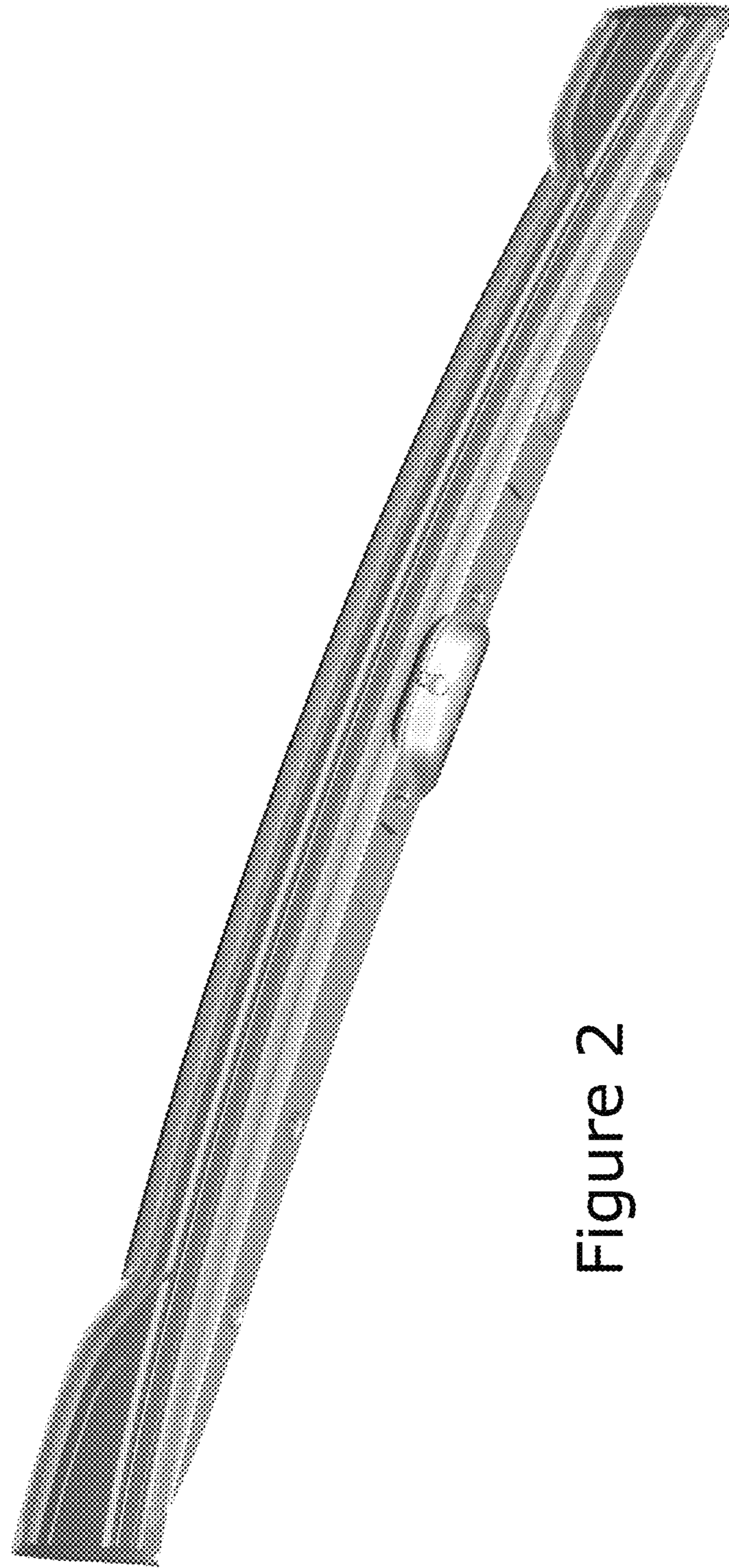


Figure 2

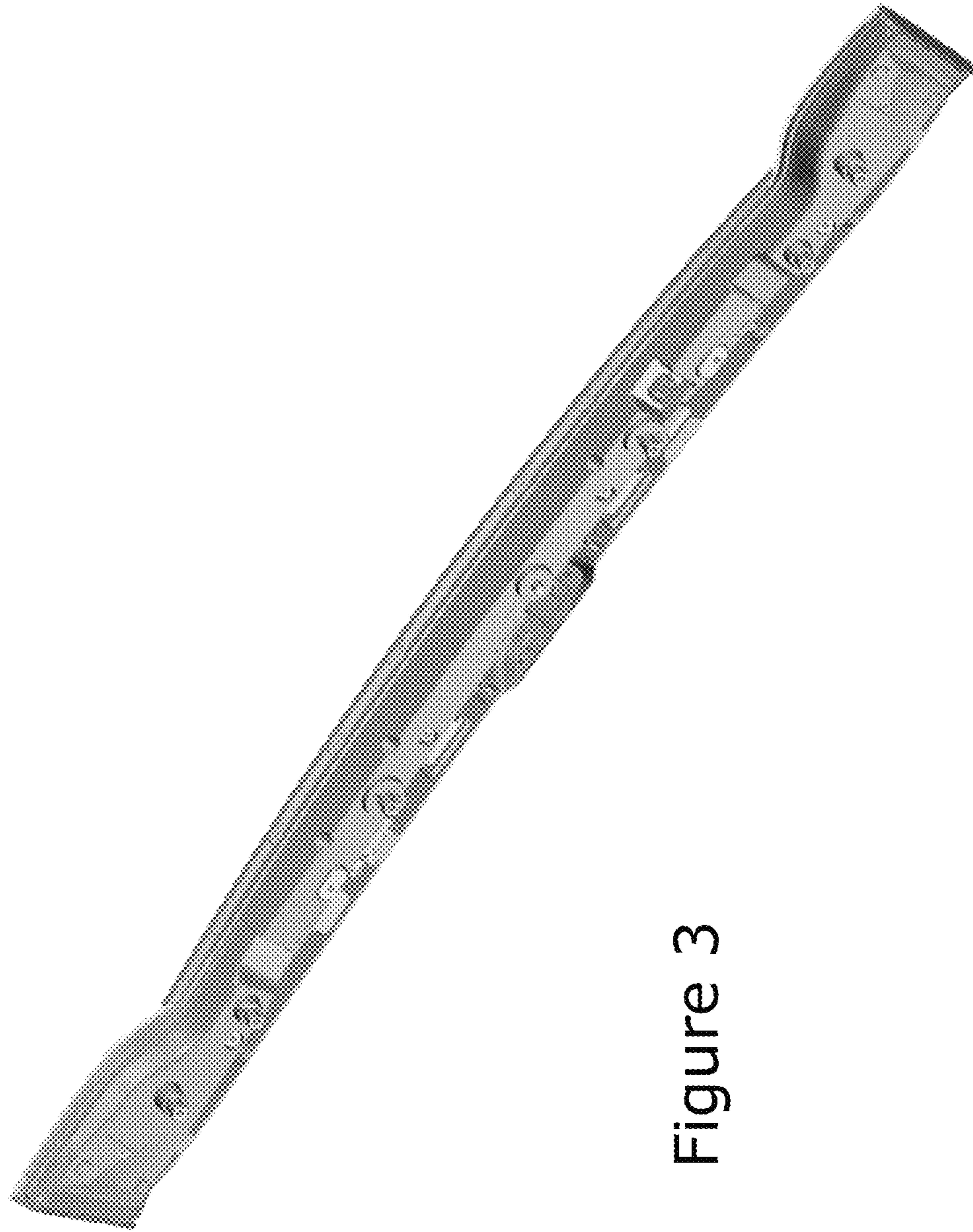


Figure 3

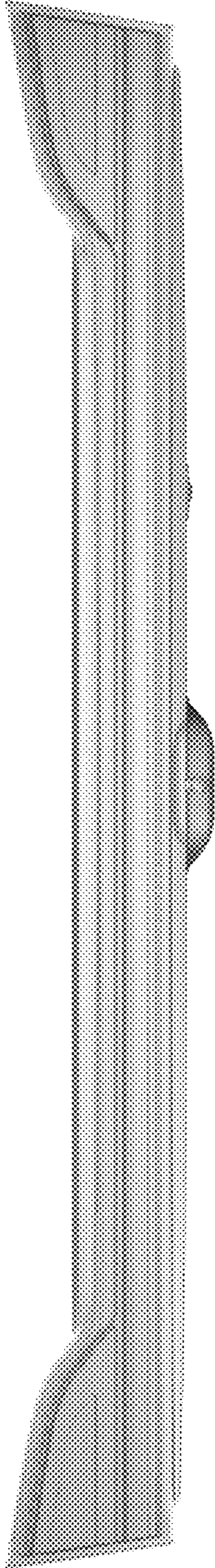


Figure 4

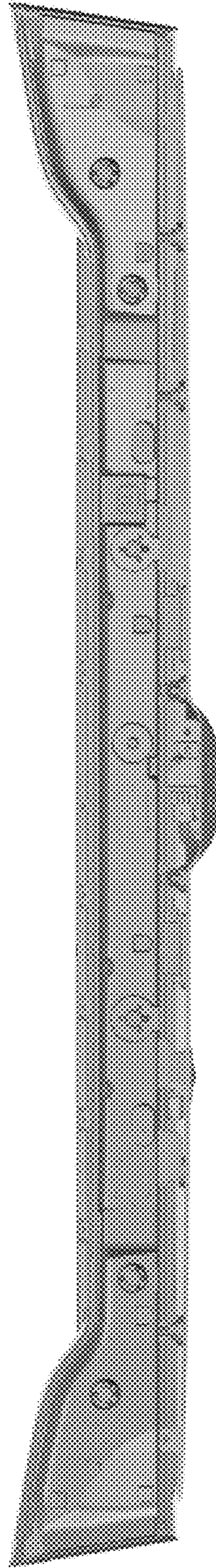


Figure 5

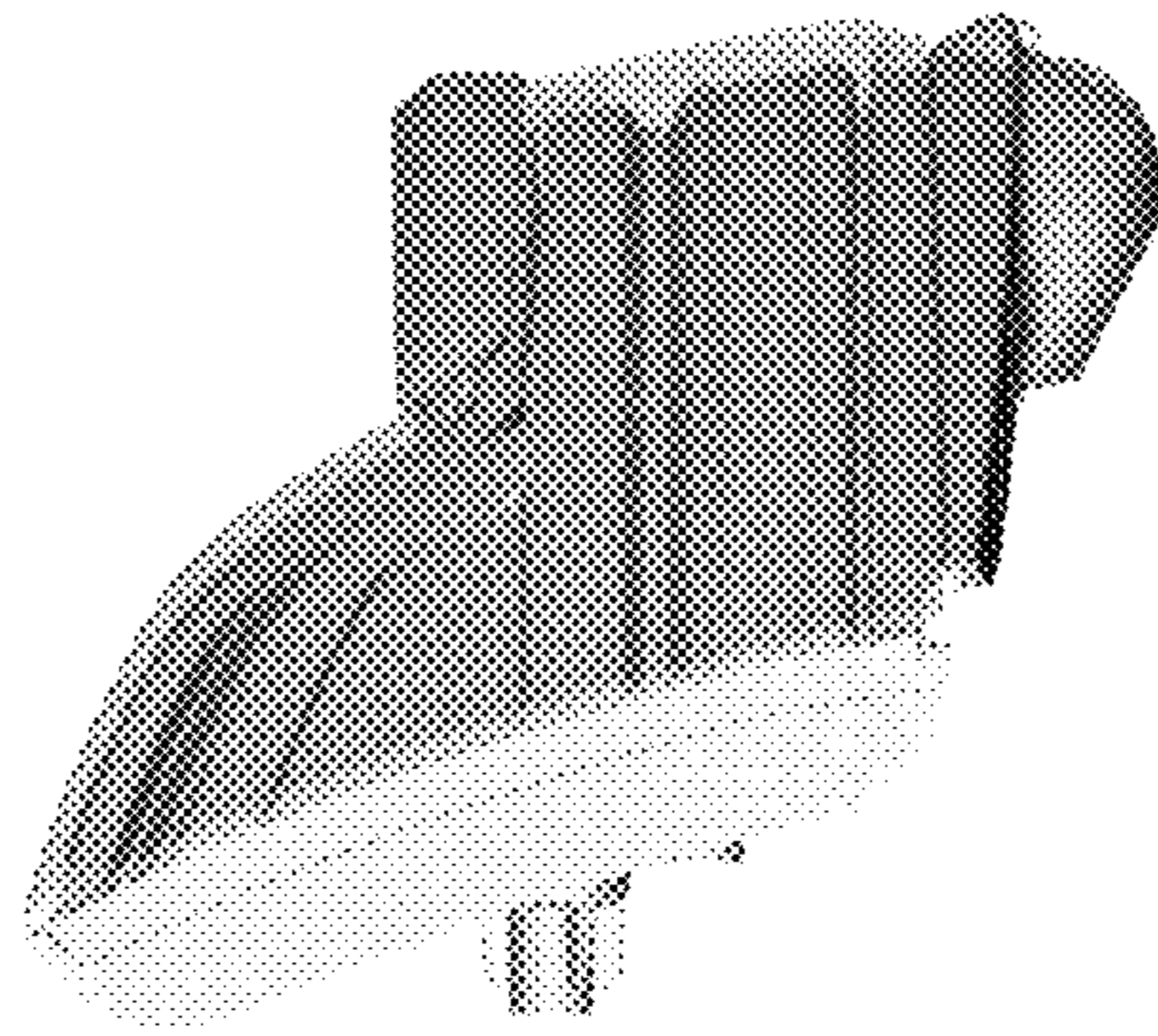


Figure 6



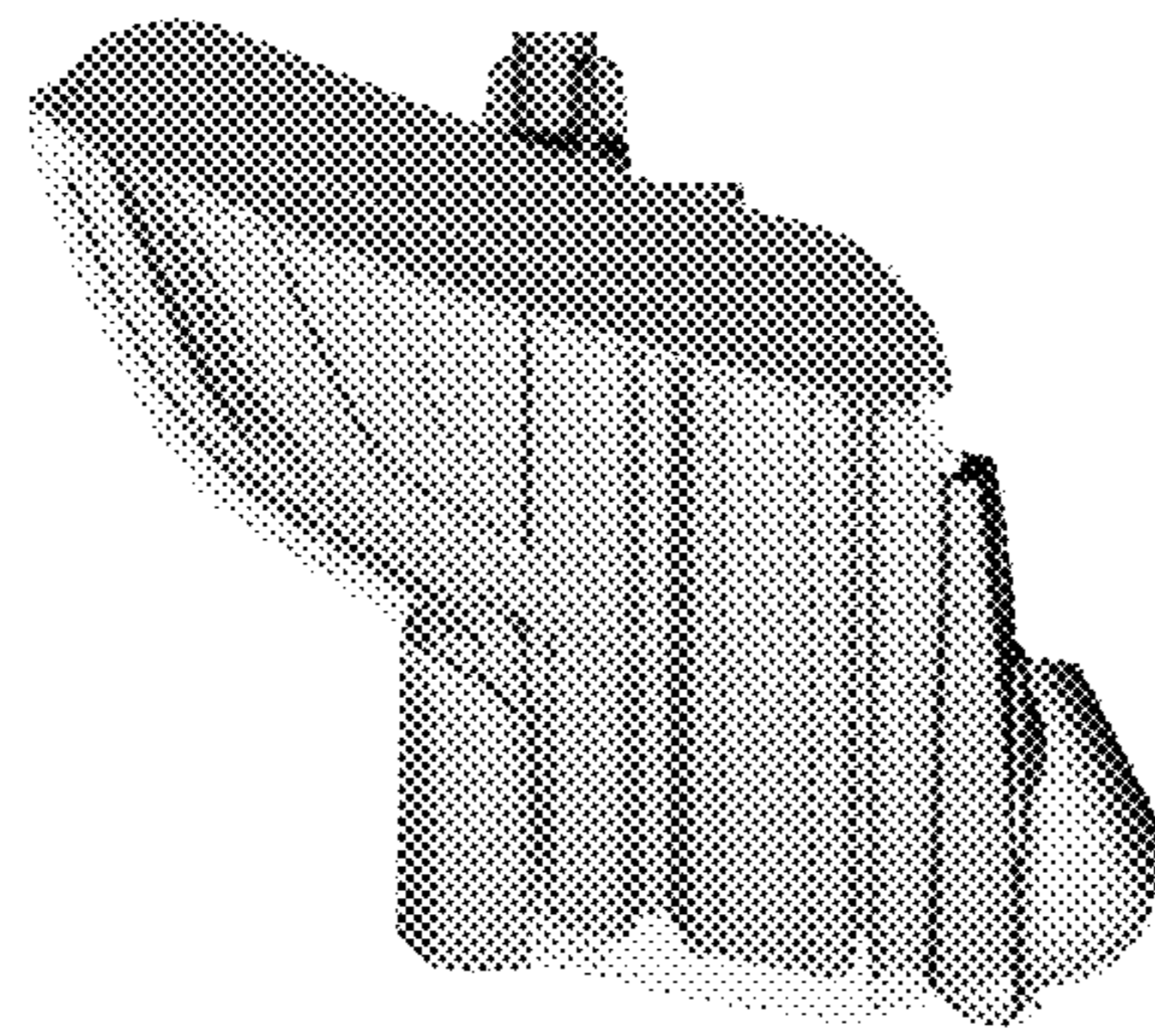


Figure 7



Figure 8

Figure 9

