



US00D875278S

(12) **United States Design Patent** (10) **Patent No.:** **US D875,278 S**
Jobling (45) **Date of Patent:** **** Feb. 11, 2020**

(54) **TAIL LIGHT SIGNATURE FOR A VEHICLE**

(71) Applicant: **Jaguar Land Rover Limited**, Whitley, Coventry (GB)

(72) Inventor: **Paul Jobling**, Coventry (GB)

(73) Assignee: **Jaguar Land Rover Limited**, Whitley, Coventry (GB)

(**) Term: **15 Years**

(21) Appl. No.: **29/615,841**

(22) Filed: **Aug. 31, 2017**

(30) **Foreign Application Priority Data**

Mar. 16, 2017 (EM) 003802420-0004
Mar. 16, 2017 (EM) 003802420-0005

(51) **LOC (12) Cl.** **26-06**

(52) **U.S. Cl.**
USPC **D26/28**

(58) **Field of Classification Search**
USPC D26/28-36, 26
CPC F21S 48/00; F21S 48/10; F21S 48/1266;
F21S 48/1388; F21S 48/2268; F21V
21/04
See application file for complete search history.

(56) **References Cited**

U.S. PATENT DOCUMENTS

D573,732 S * 7/2008 Suzuki D26/28
D660,481 S * 5/2012 Gotschke D26/28
D672,482 S * 12/2012 Lee D26/28
D683,486 S * 5/2013 Kogawa D26/28
D739,583 S * 9/2015 Forsgren D26/28
D749,756 S * 2/2016 Beaven D26/28
D749,759 S * 2/2016 Beaven D26/28
D761,464 S * 7/2016 Keskin D26/28
D769,485 S * 10/2016 Morikawa D26/28
D775,378 S * 12/2016 Hatton D26/28

D779,091 S * 2/2017 Giolito D26/28
D781,471 S * 3/2017 Han D26/28
D787,716 S * 5/2017 Patel D26/28
D812,269 S * 3/2018 Minamiyama D26/28
D814,073 S * 3/2018 Granlund D26/28
D815,764 S * 4/2018 Smock D26/28
D834,228 S * 11/2018 Lee D26/28
D834,229 S * 11/2018 Lee D26/28

* cited by examiner

Primary Examiner — Mark A Goodwin

Assistant Examiner — Benjamin M Weeks

(74) *Attorney, Agent, or Firm* — Wood Herron & Evans LLP

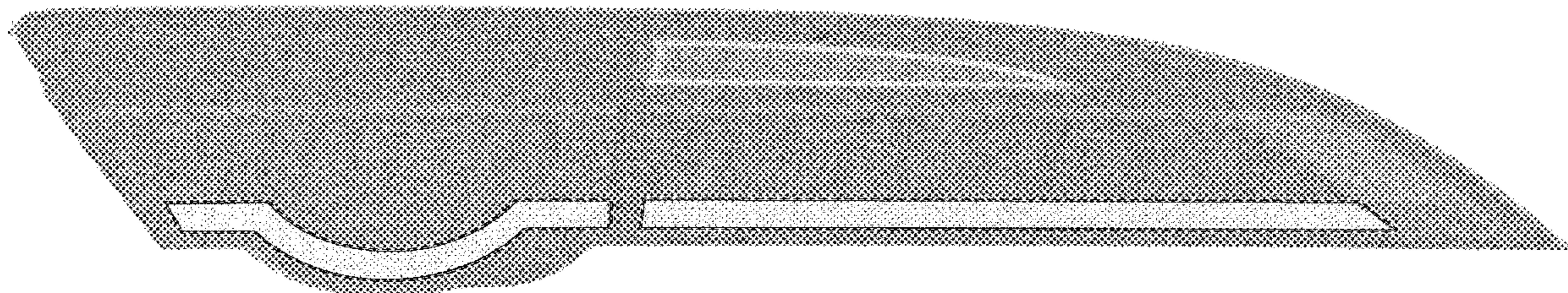
(57) **CLAIM**

The ornamental design for a tail light signature for a vehicle, as shown and described.

DESCRIPTION

FIG. 1 is a front right perspective view of a tail light signature for a vehicle according to the present invention. FIG. 2 is a front left perspective view of the tail light signature for a vehicle shown in FIG. 1. FIG. 3 is a rear right perspective view thereof. FIG. 4 is a front view thereof. FIG. 5 is a right side view thereof; and, FIG. 6 is a front view of the tail light signature for a vehicle that is shown in FIGS. 1-5, with the corresponding tail light mounted on a vehicle shown in de-emphasized and half-tone portions so as to illustrate environmental structure. These portions form no part of the claimed invention. More particularly, in FIG. 6, the inventive tail light signature is shown within the broken line, and the elements shown outside of the broken line form no part of the claimed invention, but are instead included to show environmental aspects thereof. Also, in FIG. 6 the inventive tail light signature appears only on the right rear of the vehicle. The invention contemplates another such tail light signature on the rear left side of the vehicle, as a mirror image.

1 Claim, 6 Drawing Sheets



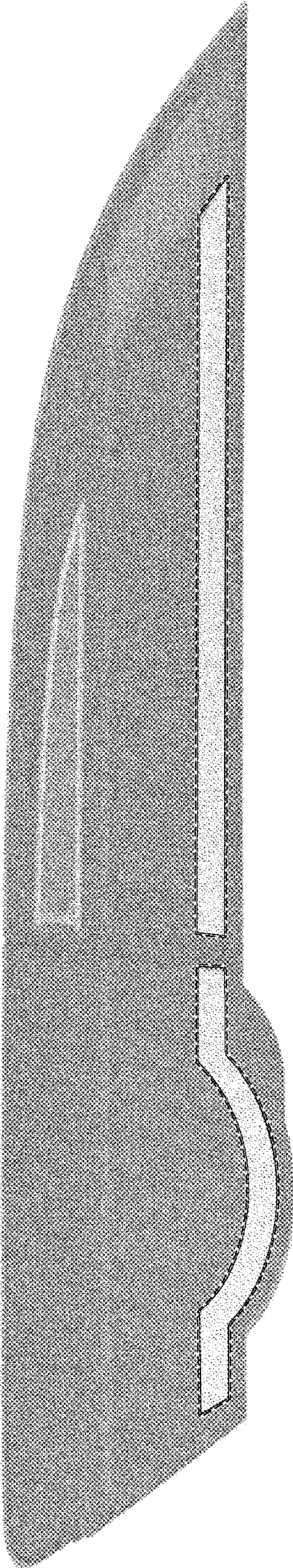


FIG. 1

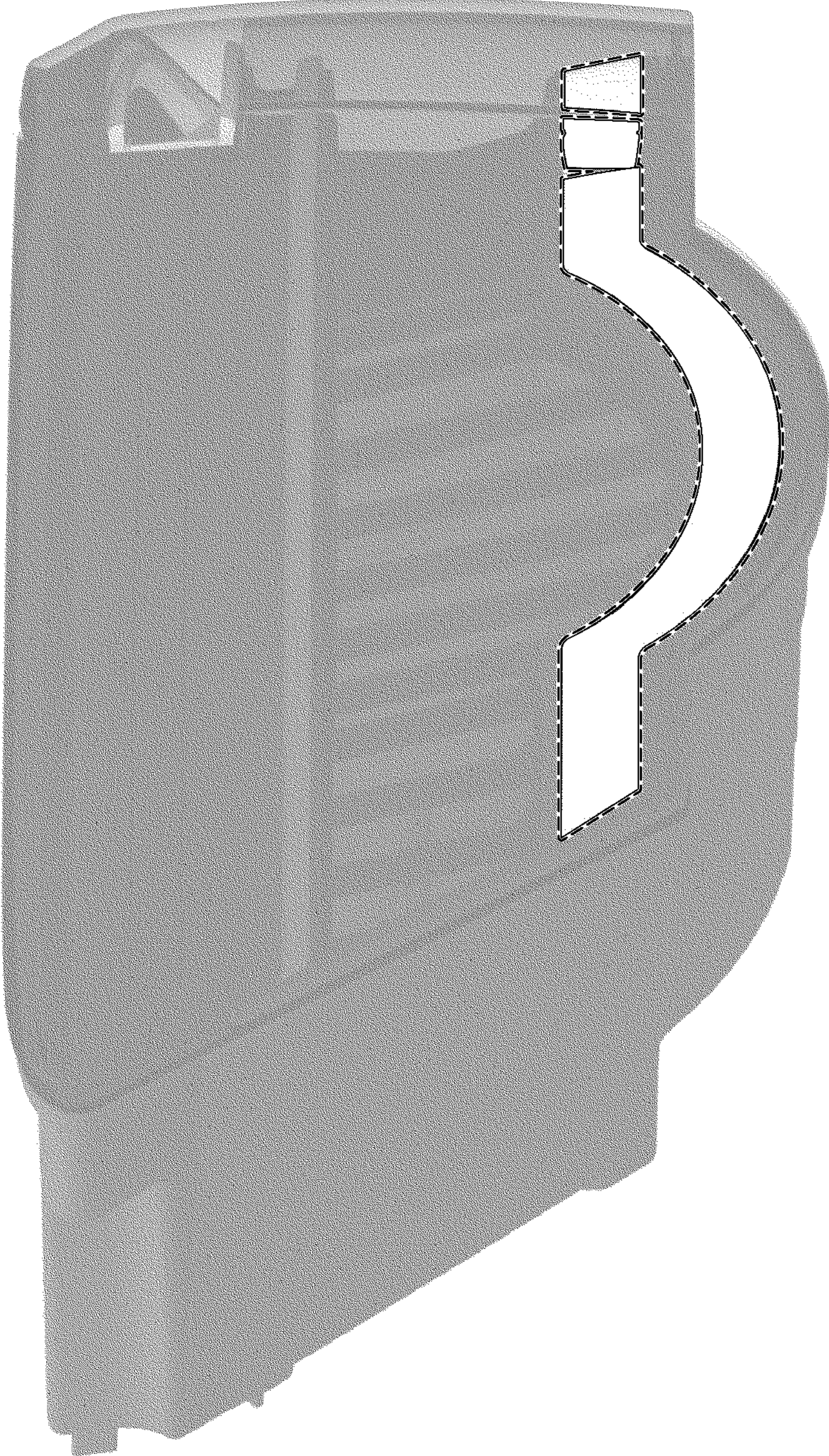


FIG. 2



FIG. 3

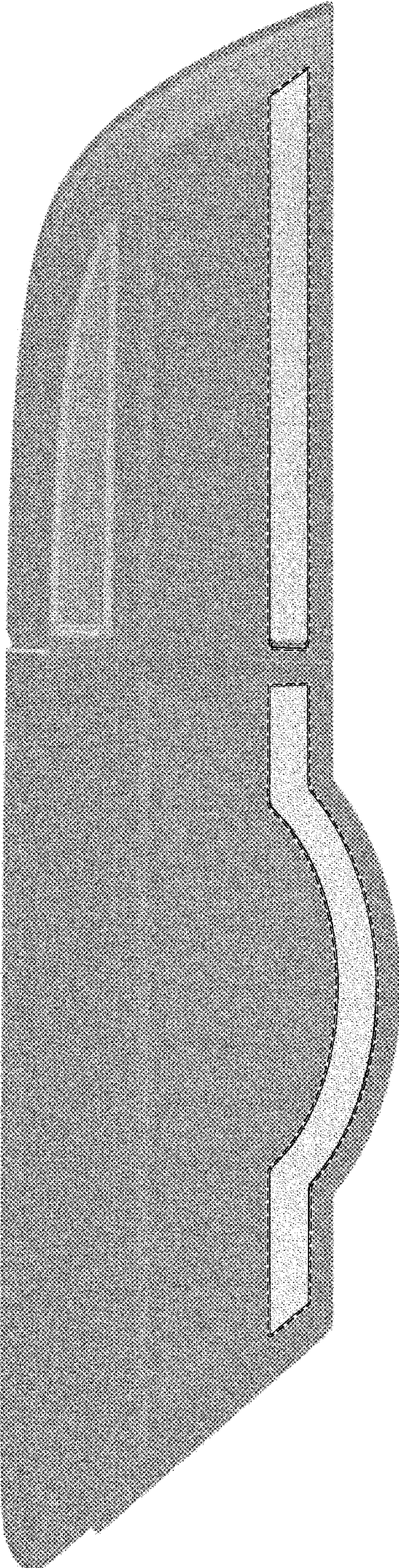


FIG. 4

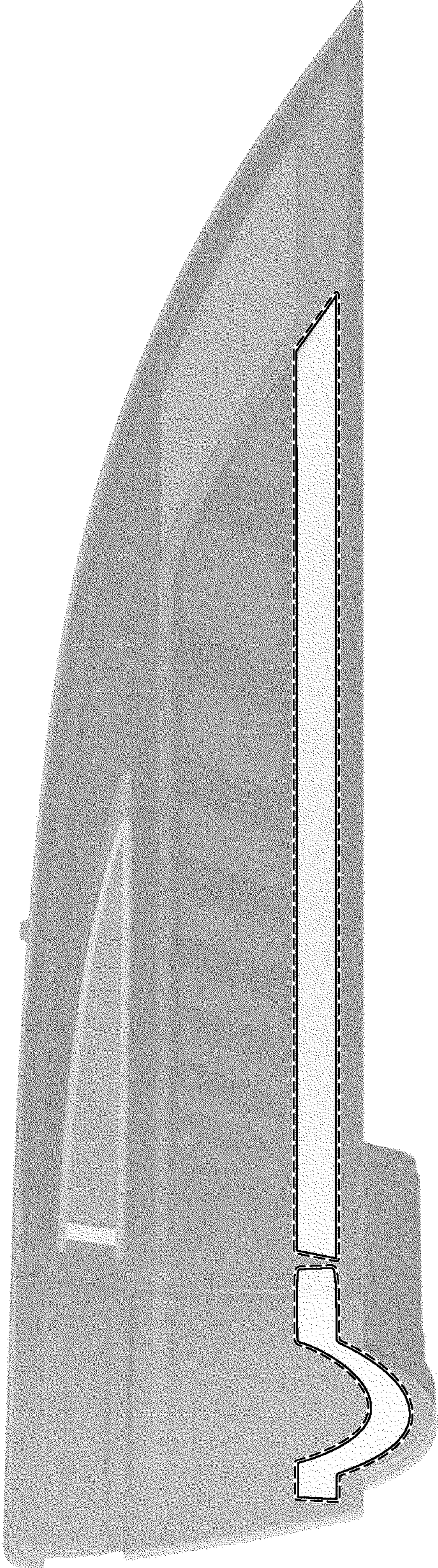


FIG. 5

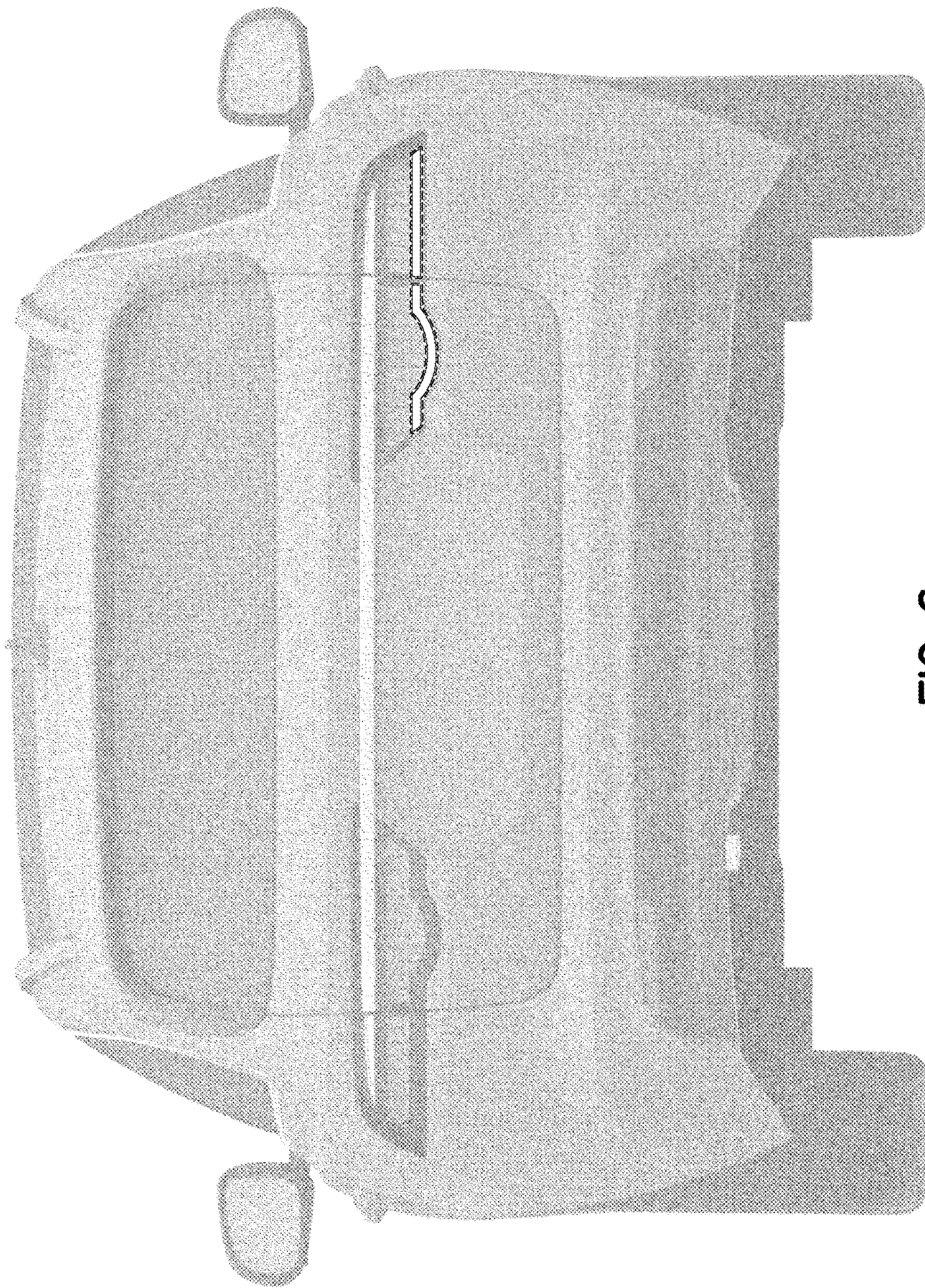


FIG. 6