

US00D875275S

(12) **United States Design Patent** (10) **Patent No.:** **US D875,275 S**
Thomas (45) **Date of Patent:** **** Feb. 11, 2020**

(54) **SLEEVE FOR A POST**
(71) Applicant: **NZ Tube Mills Limited**, Lower Hutt (NZ)
(72) Inventor: **Malcom Thomas**, Upper Hutt (NZ)
(73) Assignee: **NZ TUBE MILLS LIMITED**, Lower Hutt (NZ)
(**) Term: **15 Years**
(21) Appl. No.: **29/659,468**
(22) Filed: **Aug. 9, 2018**
(30) **Foreign Application Priority Data**
Feb. 13, 2018 (NZ) 424049
(51) **LOC (12) Cl.** **25-01**
(52) **U.S. Cl.**
USPC **D25/133**
(58) **Field of Classification Search**
USPC D21/484, 485, 486, 487, 488, 489, 490, D21/491, 492, 493, 501, 386, 389, 404, D21/468, 470, 471, 578-583, 621, 622; D25/38.1, 40, 122, 126, 133, 135; D15/199; D11/152, 153, 154, 143, 144, D11/47, 65.5; D19/77, 78, 79, 80, 81, D19/82, 83, 84, 85, 86, 107; D6/623, D6/624, 625; D27/125, 130
CPC .. E04B 1/38; E04B 5/326; E04F 11/18; E04F 11/00; E04F 2201/0115; E04H 17/1421; E04H 17/20; E04H 17/00; F16M 11/24; A63H 33/08; Y10T 156/1062; B25J 9/044
See application file for complete search history.

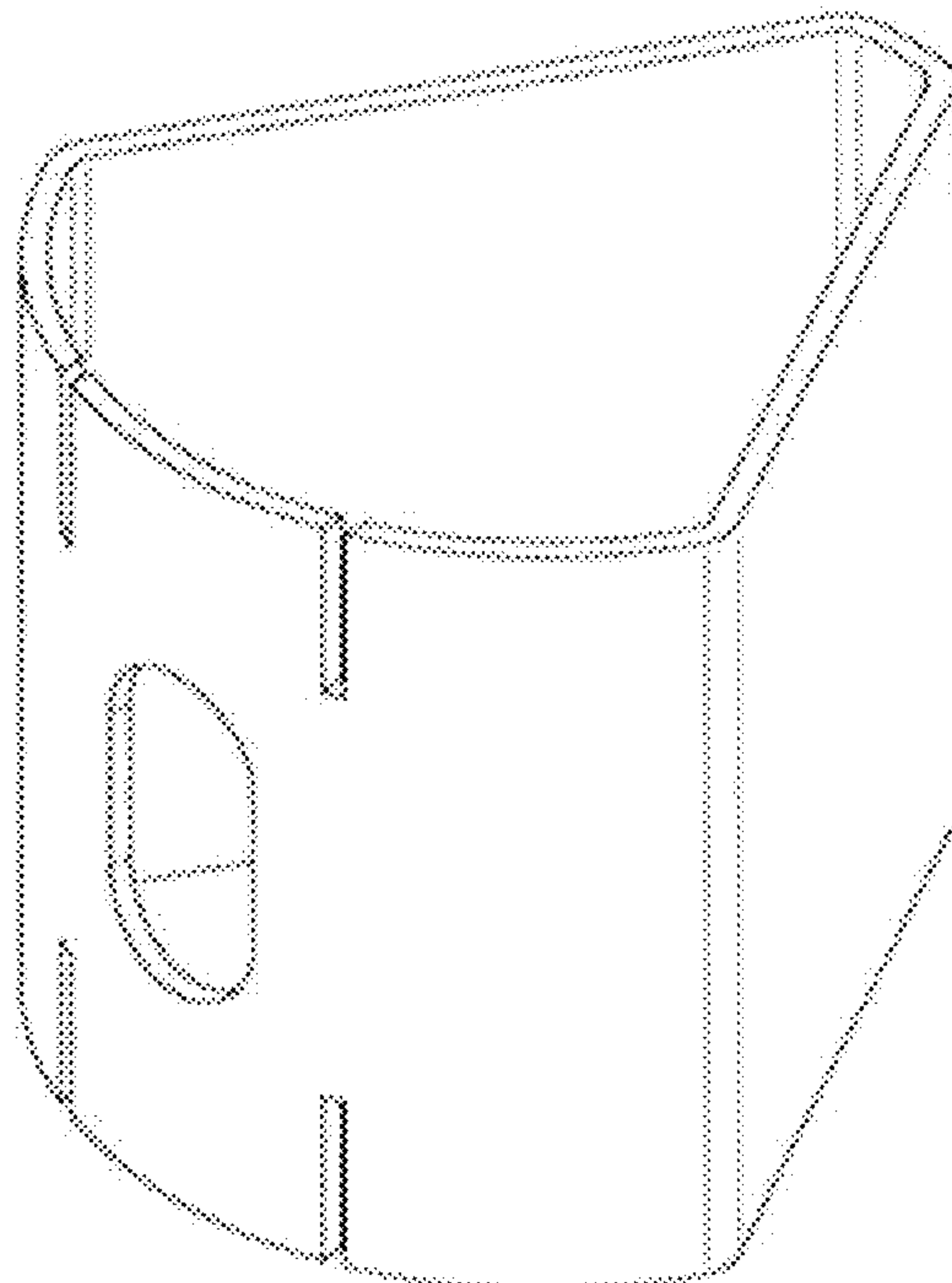
(56) **References Cited**
U.S. PATENT DOCUMENTS
D617,174 S * 6/2010 Schaefer D25/122
D686,057 S * 7/2013 Castellano D8/354
D732,703 S * 6/2015 Kreutzman D25/122
D815,937 S * 4/2018 Long D8/380

* cited by examiner
Primary Examiner — Randall H Gholson
(74) *Attorney, Agent, or Firm* — Grogan, Tuccillo & Vanderleeden, LLP

(57) **CLAIM**
The ornamental design for a sleeve for a post, as shown and described.

DESCRIPTION
FIG. 1 is a perspective view of a sleeve for a post according to an embodiment of the present invention;
FIG. 2 is a front view of the sleeve for a post of FIG. 1;
FIG. 3 is a back view of the sleeve for a post thereof;
FIG. 4 is a side view of the sleeve for a post thereof;
FIG. 5 is an opposite view of the sleeve for a post thereof;
FIG. 6 is a top view of the sleeve for a post thereof;
FIG. 7 is a bottom view of the sleeve for a post thereof;
FIG. 8 is a perspective view of the sleeve for a post thereof assembled; and,
FIG. 9 is a perspective view of the sleeve for a post exploded thereof.
The broken line portion of the figures is included to show unclaimed subject matter only and forms no part of the claimed designs.

1 Claim, 9 Drawing Sheets



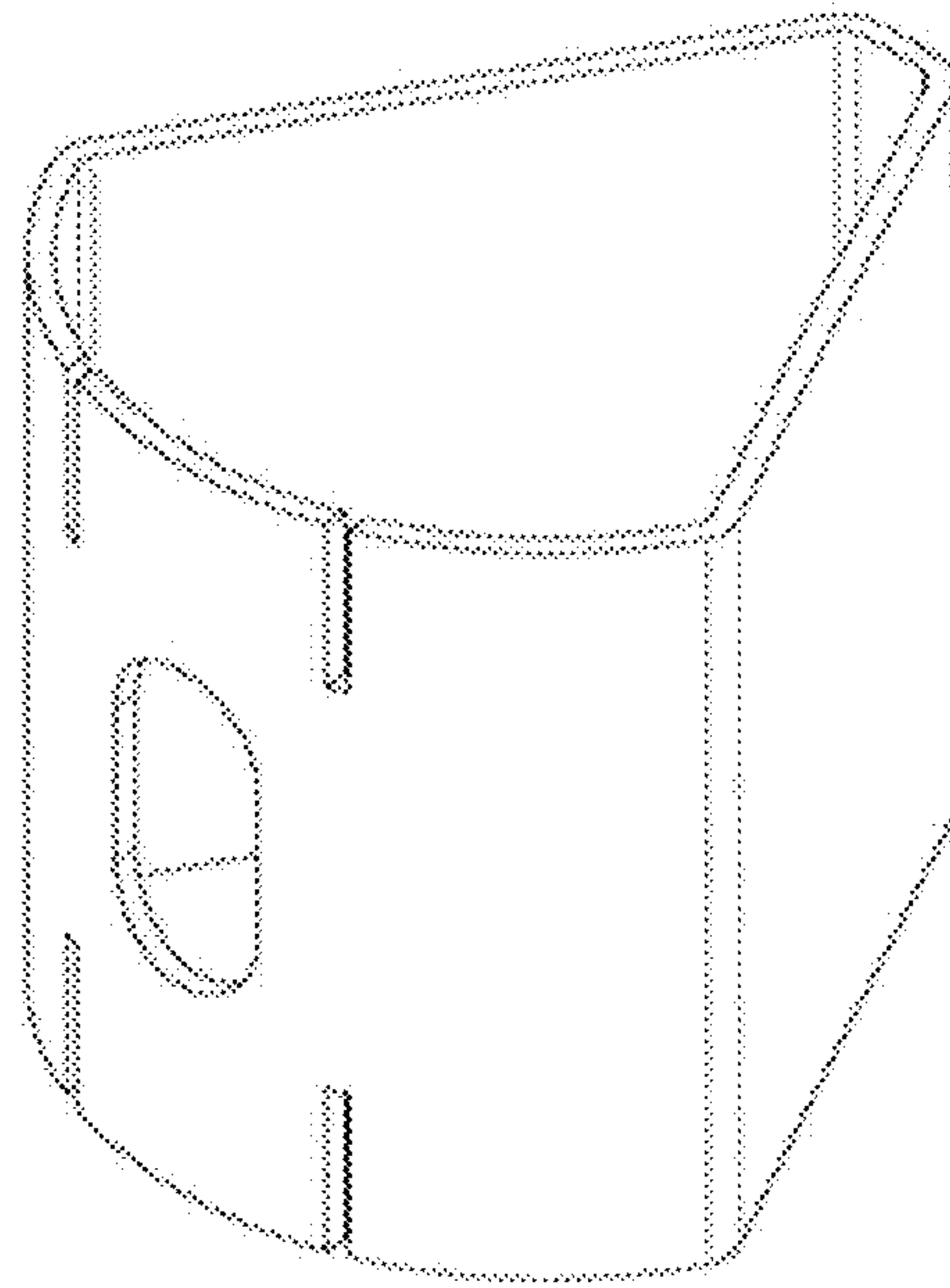


Fig. 1

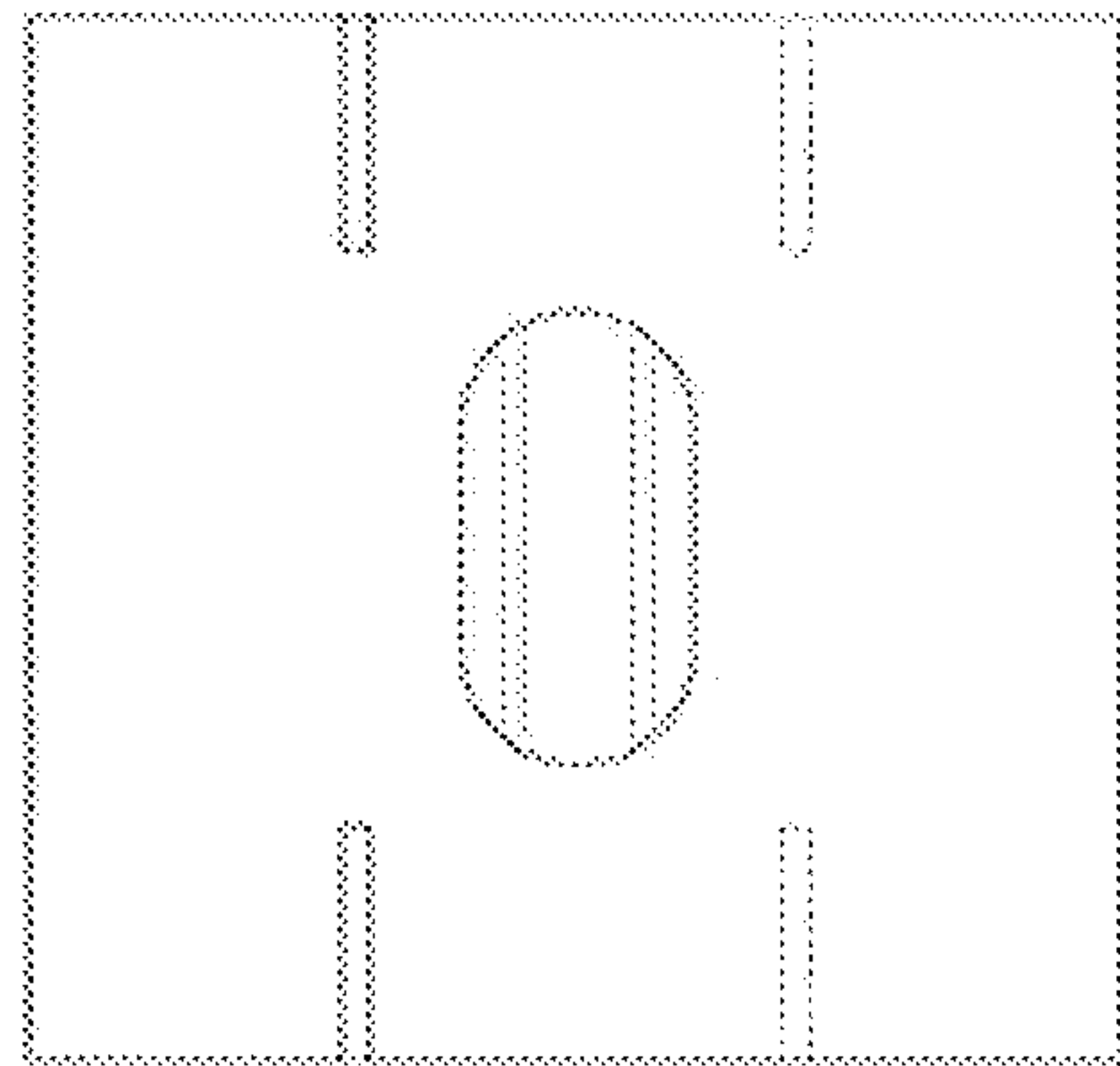


Fig. 2

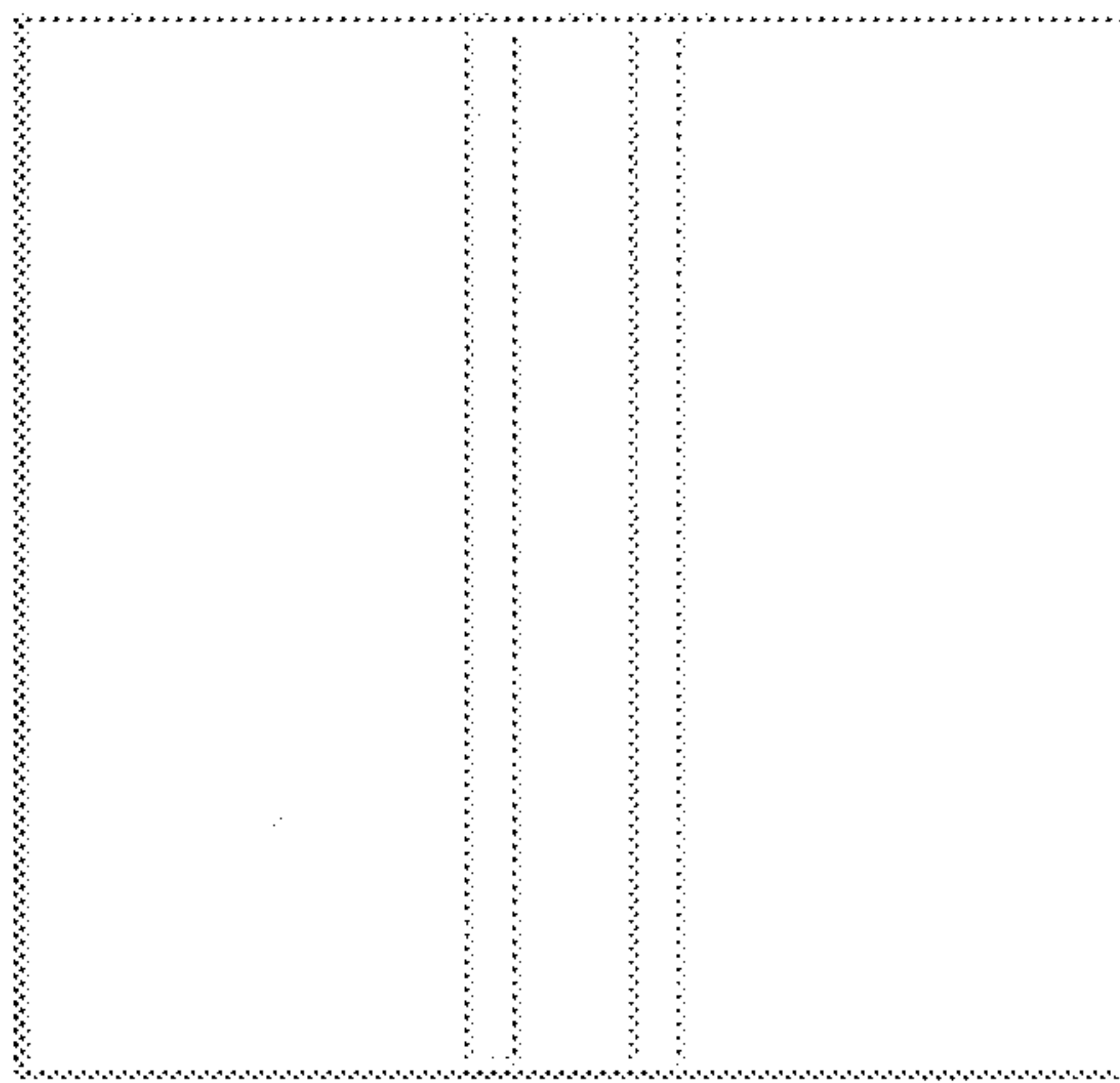


Fig. 3

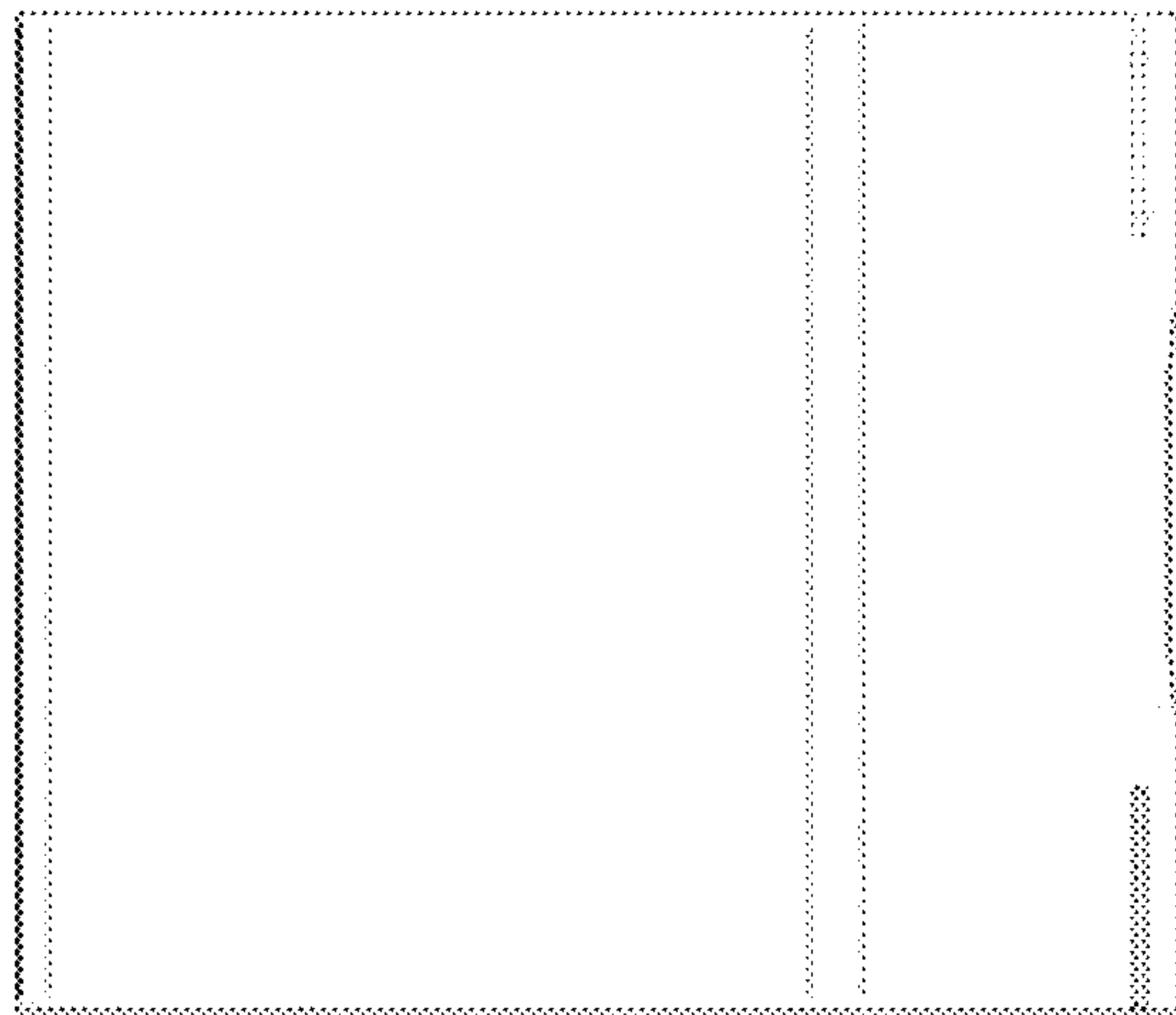


Fig. 4

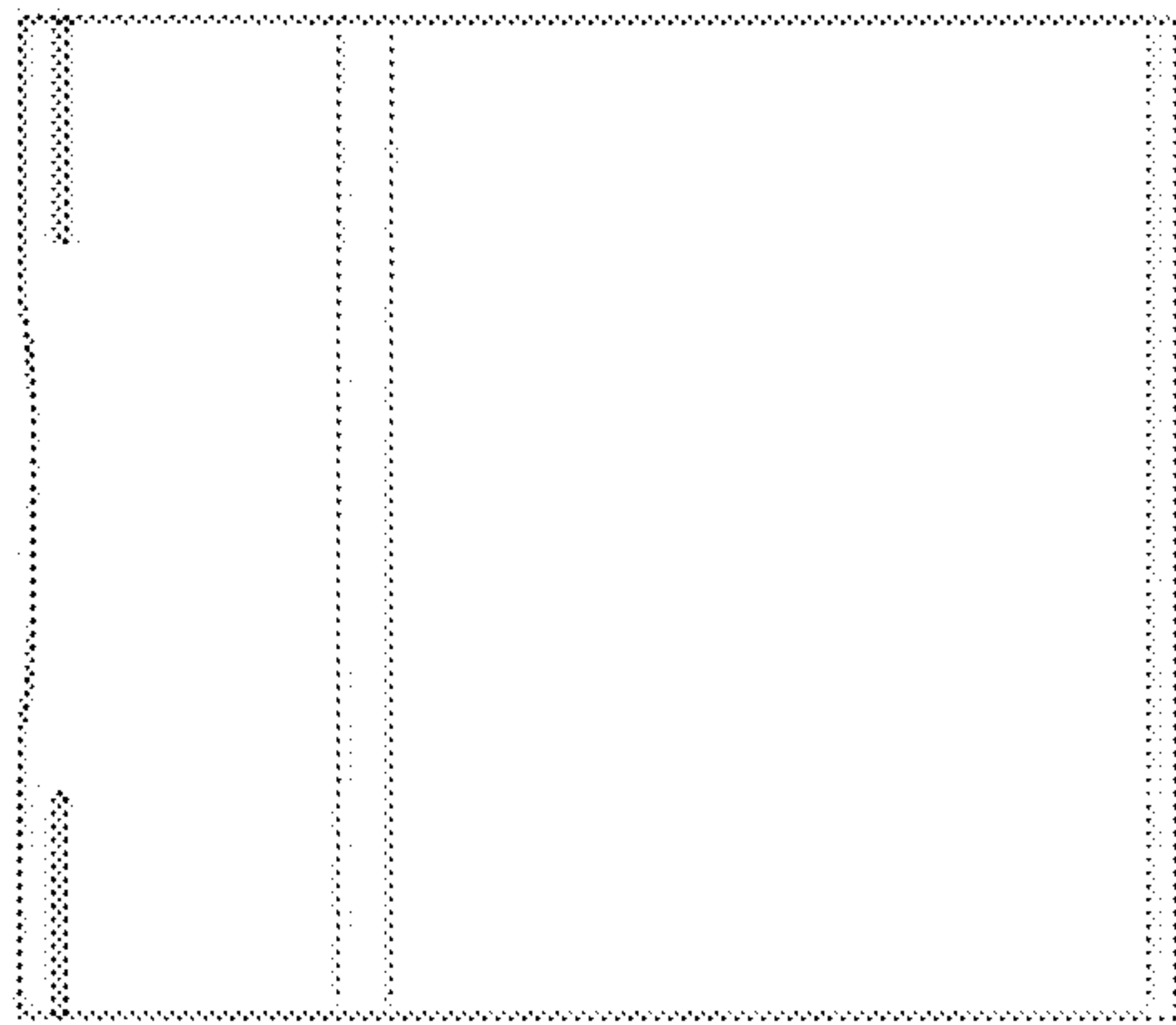


Fig. 5

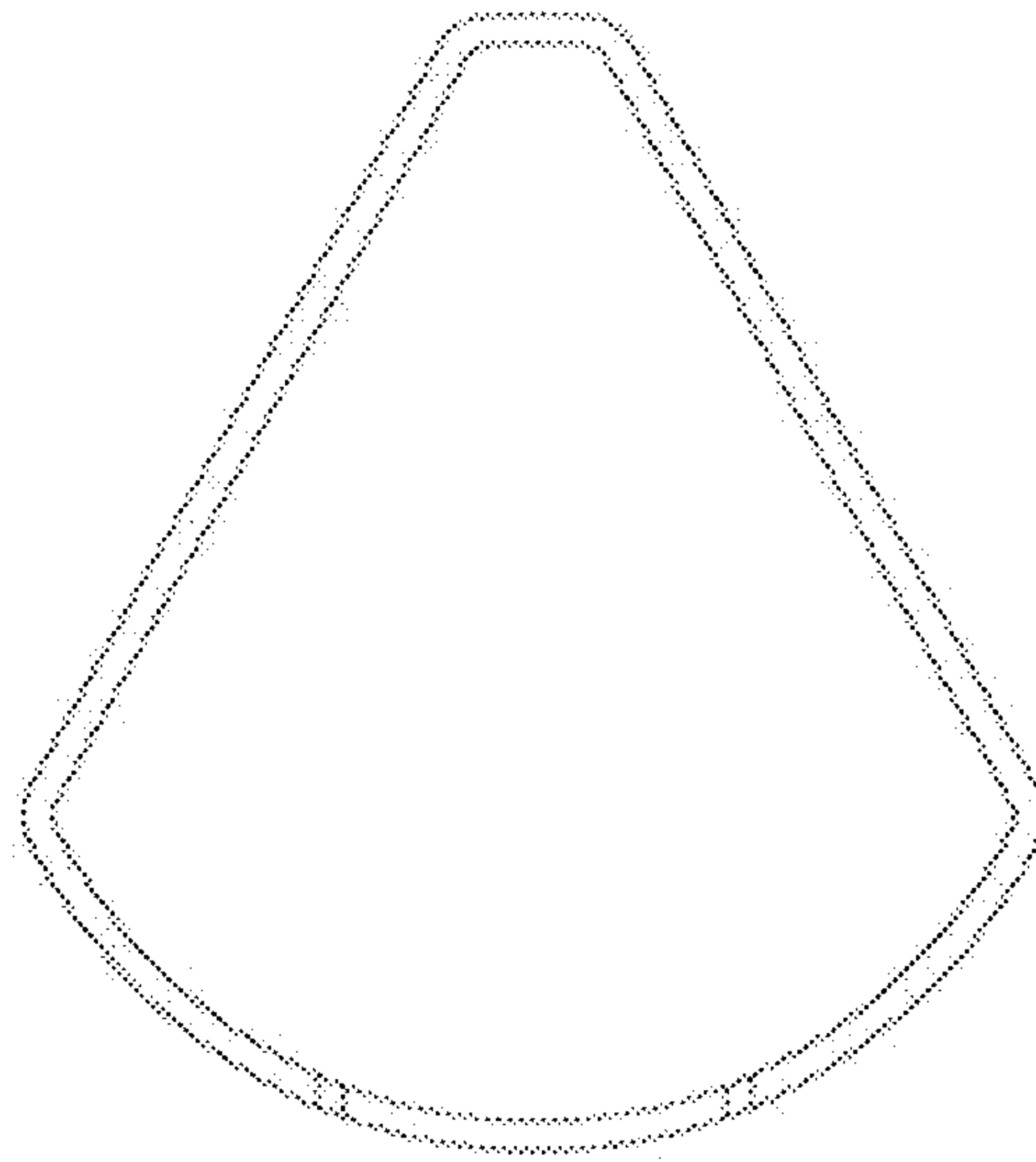


Fig. 6

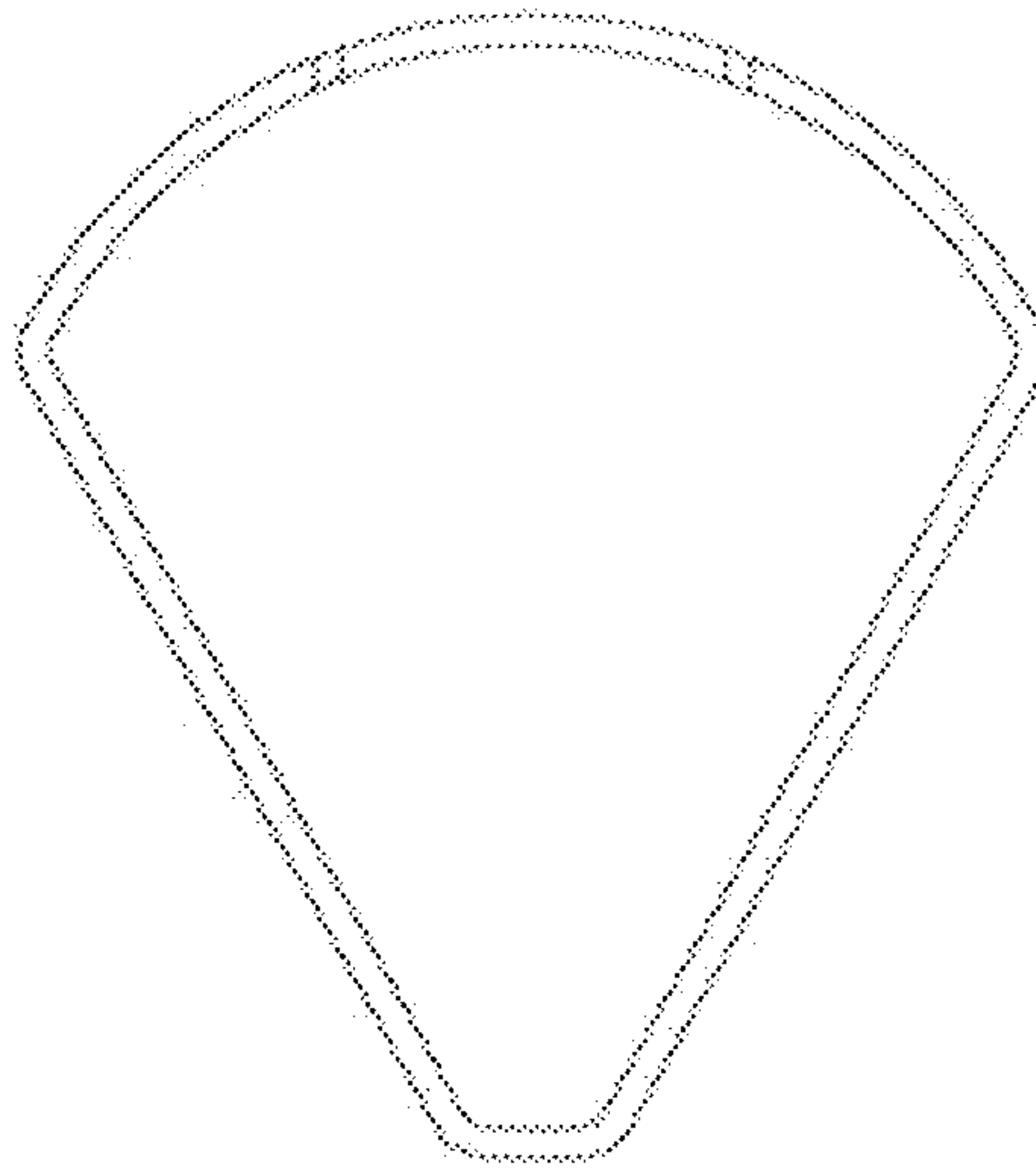


Fig. 7

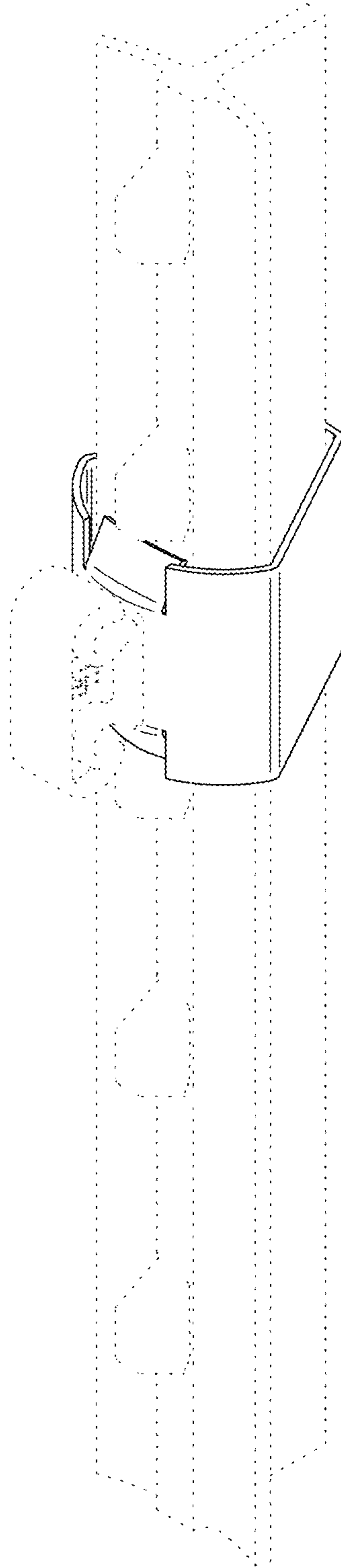


Fig. 8

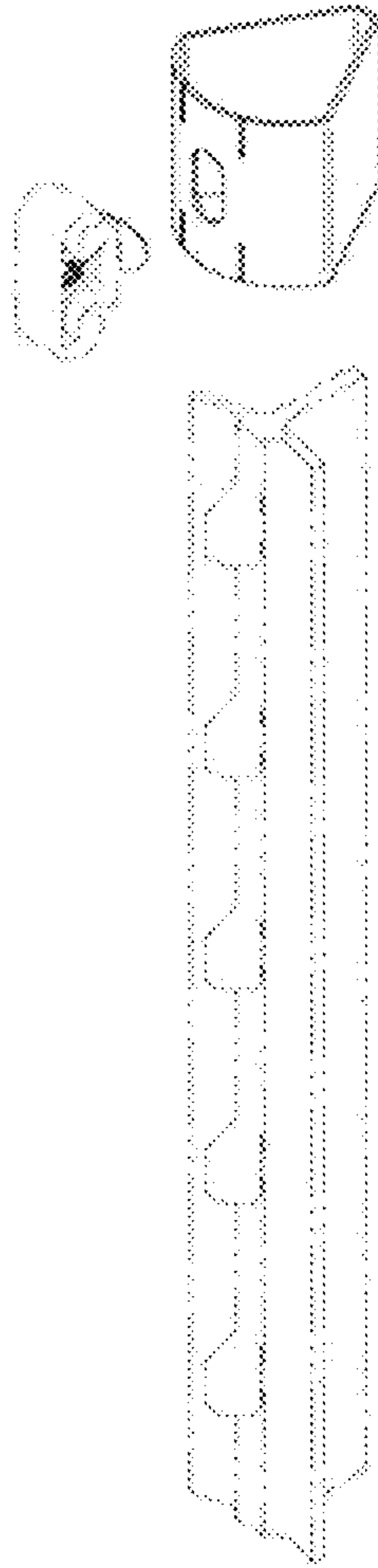


Fig. 9