



US00D875271S

(12) **United States Design Patent**  
**Ringold et al.**

(10) **Patent No.:** **US D875,271 S**  
(45) **Date of Patent:** **\*\* Feb. 11, 2020**

(54) **COLLECTION AND STORAGE CASE FOR DRY BLOOD SAMPLES**

(71) Applicants: **Randy Ringold**, West Hills, CA (US);  
**Tyson Ringold**, Mountain View, CA (US)

(72) Inventors: **Randy Ringold**, West Hills, CA (US);  
**Tyson Ringold**, Mountain View, CA (US)

(73) Assignees: **VDI Laboratory, LLC.**, Simi Valley, CA (US); **Kepler Diagnostics, Inc.**, Simi Valley, CA (US)

(\*\*) Term: **15 Years**

(21) Appl. No.: **29/658,991**

(22) Filed: **Aug. 3, 2018**

(51) **LOC (12) Cl.** ..... **24-02**

(52) **U.S. Cl.**  
USPC ..... **D24/224**

(58) **Field of Classification Search**  
USPC ..... D24/120, 121, 123, 186, 188, 207, 216,  
D24/223–227, 229

(Continued)

(56) **References Cited**

**U.S. PATENT DOCUMENTS**

4,943,522 A \* 7/1990 Eisinger ..... G01N 33/54386  
422/537

D342,575 S \* 12/1993 Ashihara ..... D24/224

(Continued)

**OTHER PUBLICATIONS**

HemaSpot™—HF Blood Collection Device. Online, published date unknown. Retrieved on Aug. 5, 2019 from URL: <https://www.spotonsciences.com/>.\*

*Primary Examiner* — Susan Bennett Hattan

*Assistant Examiner* — Omeed Agilee

(74) *Attorney, Agent, or Firm* — Karim Lagobi

(57) **CLAIM**

The ornamental design for collection and storage case for dry blood samples, substantially as depicted in the drawings and described.

**DESCRIPTION**

FIG. 1 is a top exploded perspective view of a collection and storage case for dry blood samples, the top lid and bottom lid are disassembled to show the interior of the case. The contextual elements that are shown in broken lines form no part of the claimed design.

FIG. 2 is a top perspective view thereof in assembled configuration.

FIG. 3 is a bottom perspective view thereof in assembled configuration.

FIG. 4 is a top elevation view thereof in assembled configuration.

FIG. 5 is a bottom plan view thereof in assembled configuration.

FIG. 6 is a right side elevation view thereof in assembled configuration.

FIG. 7 is a left side elevation view thereof in assembled configuration.

FIG. 8 is a front side elevation view thereof in assembled configuration; the back side elevation view is a mirror image.

FIG. 9 is a top elevation perspective view thereof, showing the bottom lid and the other components are removed to show details not otherwise discernible from the drawings.

FIG. 10 is a bottom elevation perspective view of the bottom lid thereof.

FIG. 11 is a top plan view of the bottom lid thereof; without the top lid assembled.

FIG. 12 is a bottom plan view of the bottom lid thereof; without the top lid assembled.

FIG. 13 is a front side elevation view of the bottom lid thereof; the back side view is a mirror image.

FIG. 14 is a right side elevation view of the bottom lid thereof; the left side view is a mirror image.

(Continued)

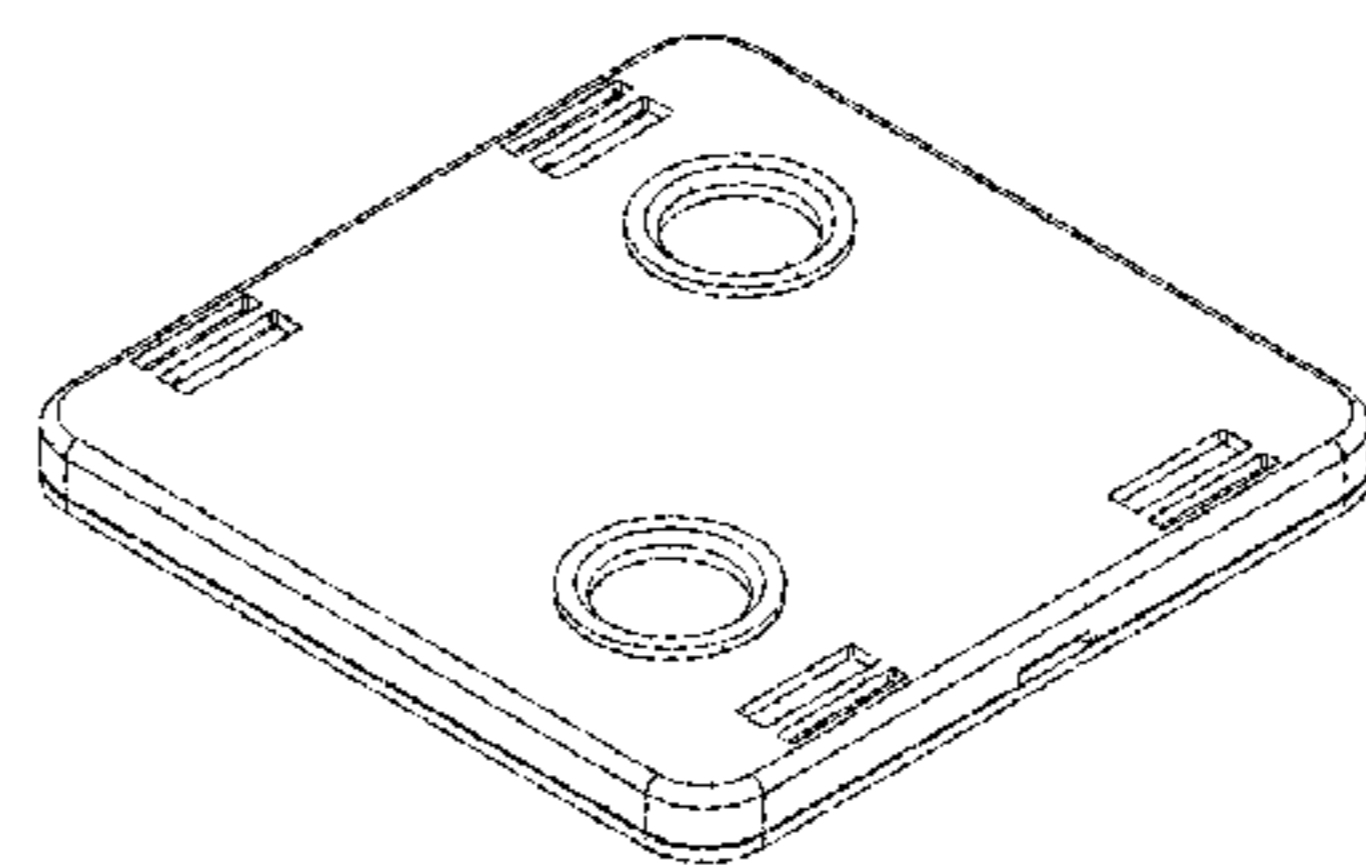
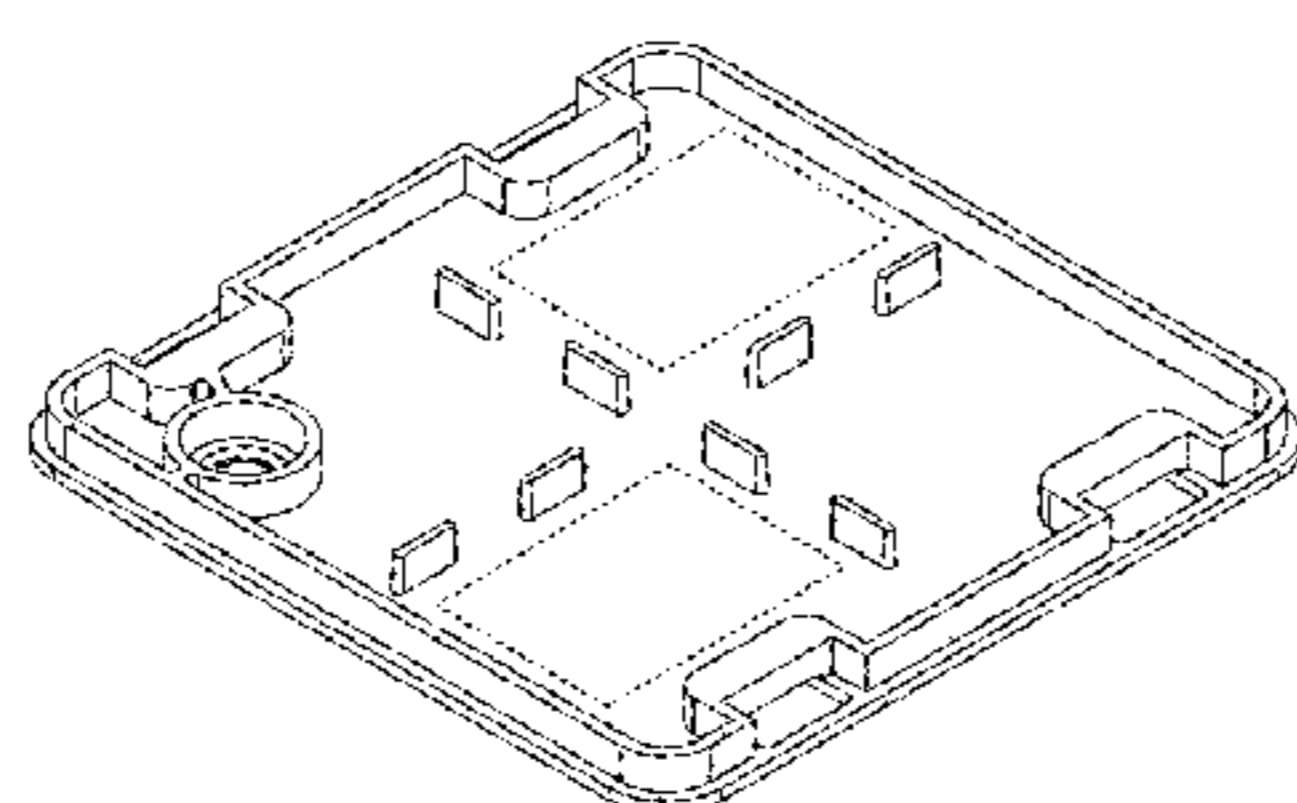
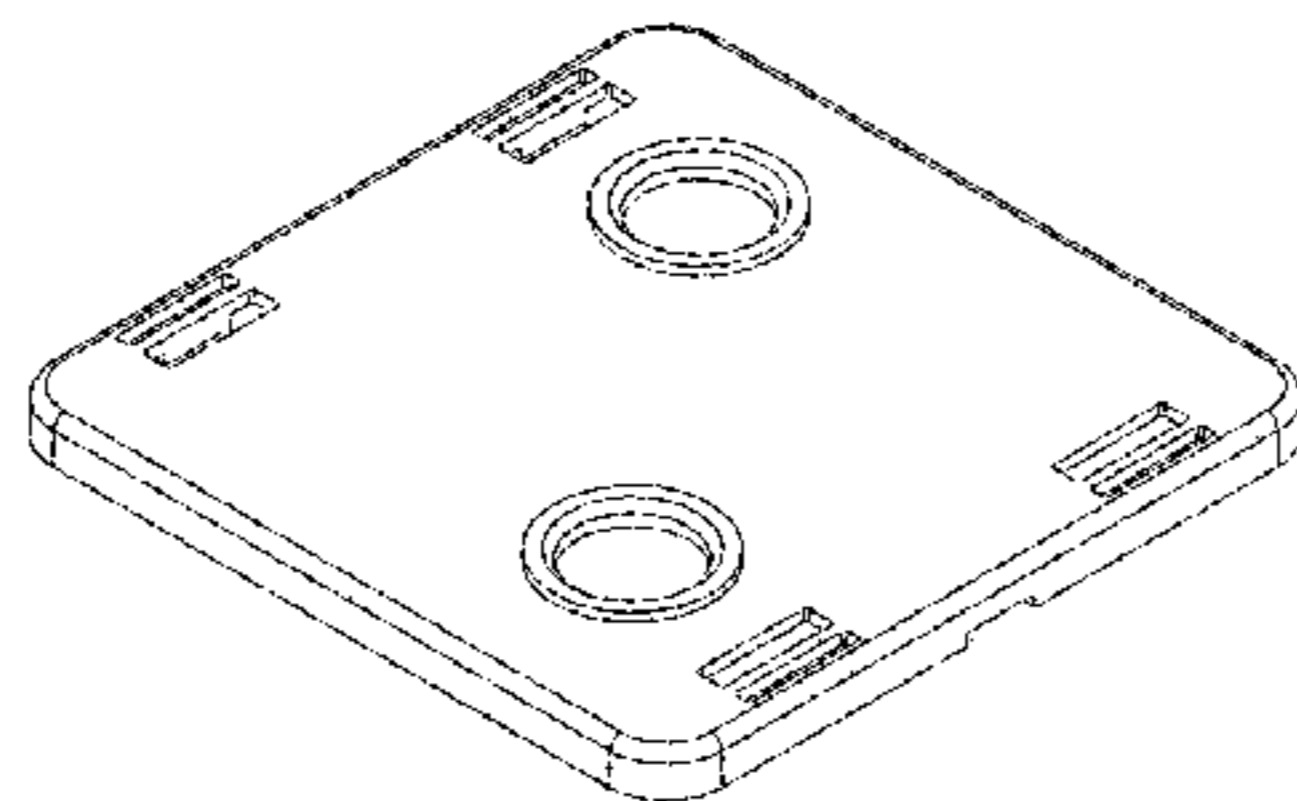


FIG. 15 is a top perspective view thereof, showing the top lid and the other components are removed to show details not otherwise discernible from the drawings.

FIG. 16 is a bottom perspective view thereof, showing the top lid and the other components are removed to show details not otherwise discernible from the drawings.

FIG. 17 is a top plan view of the top lid thereof; without the bottom lid assembled.

FIG. 18 is a bottom plan view thereof, showing the top lid and the other components are removed to show details not otherwise discernible from the drawings.

FIG. 19 is a right side elevation view thereof, showing the top lid and the other components are removed to show details not otherwise discernible from the drawings.

FIG. 20 is a left side elevation view thereof, showing the top lid and the other components are removed to show details not otherwise discernible from the drawings; and,

FIG. 21 is a front side elevation view thereof, showing the top lid and the other components are removed to show details not otherwise discernible from the drawings.

**1 Claim, 16 Drawing Sheets**

(58) **Field of Classification Search**

CPC ..... C12Q 1/56  
See application file for complete search history.

(56) **References Cited**

U.S. PATENT DOCUMENTS

D531,027	S	*	10/2006	Ramirez	.....	D9/435
D540,669	S	*	4/2007	George	.....	D7/392.1
D562,980	S	*	2/2008	Marshall	.....	D24/146
D609,345	S	*	2/2010	Edge	.....	D24/165
D642,908	S	*	8/2011	Fine	.....	D9/426
D644,510	S	*	9/2011	Fine	.....	D9/426
D810,306	S	*	2/2018	Rondoni	.....	D24/186
D824,517	S	*	7/2018	Young	.....	D24/146

\* cited by examiner

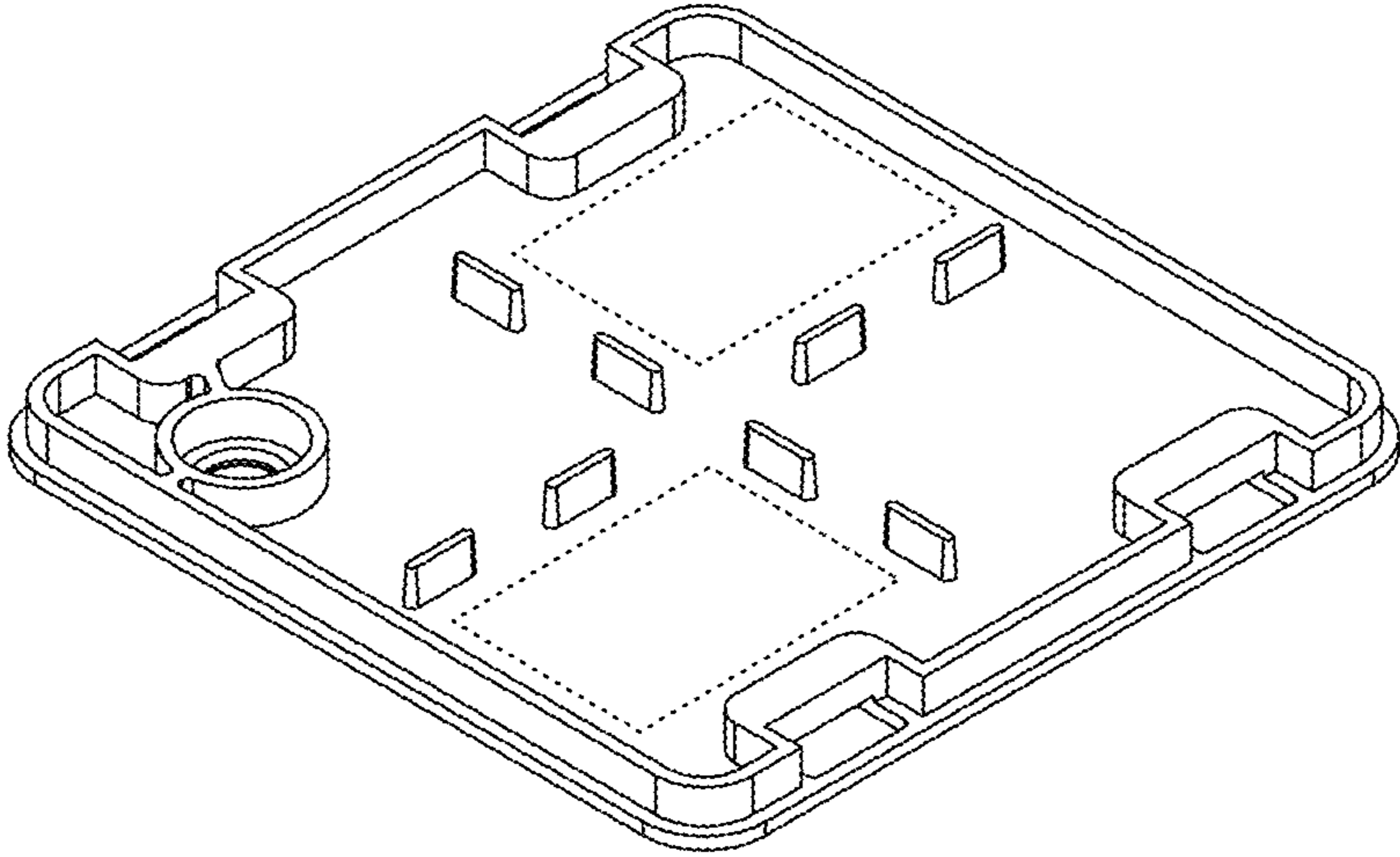
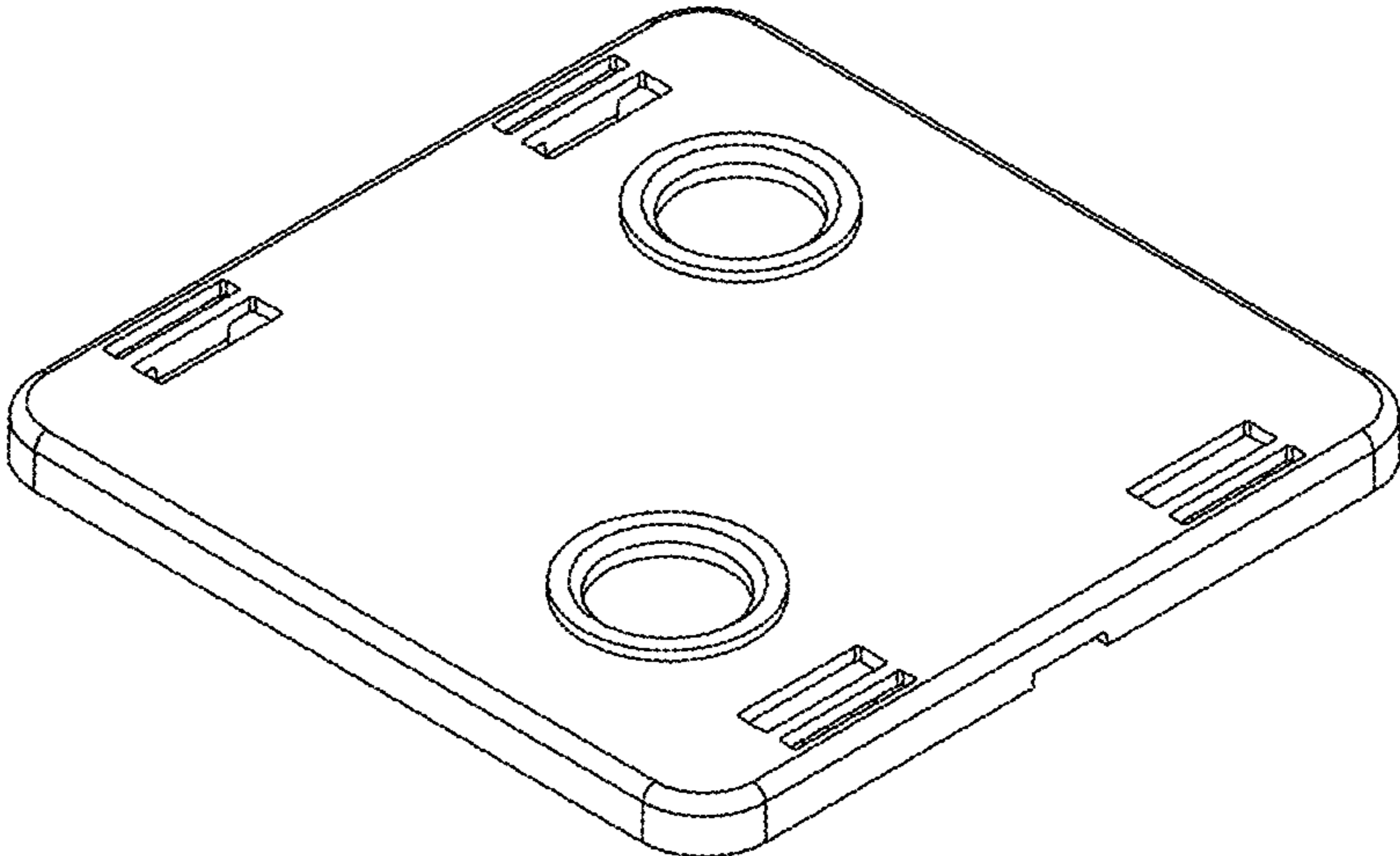


FIG. 1

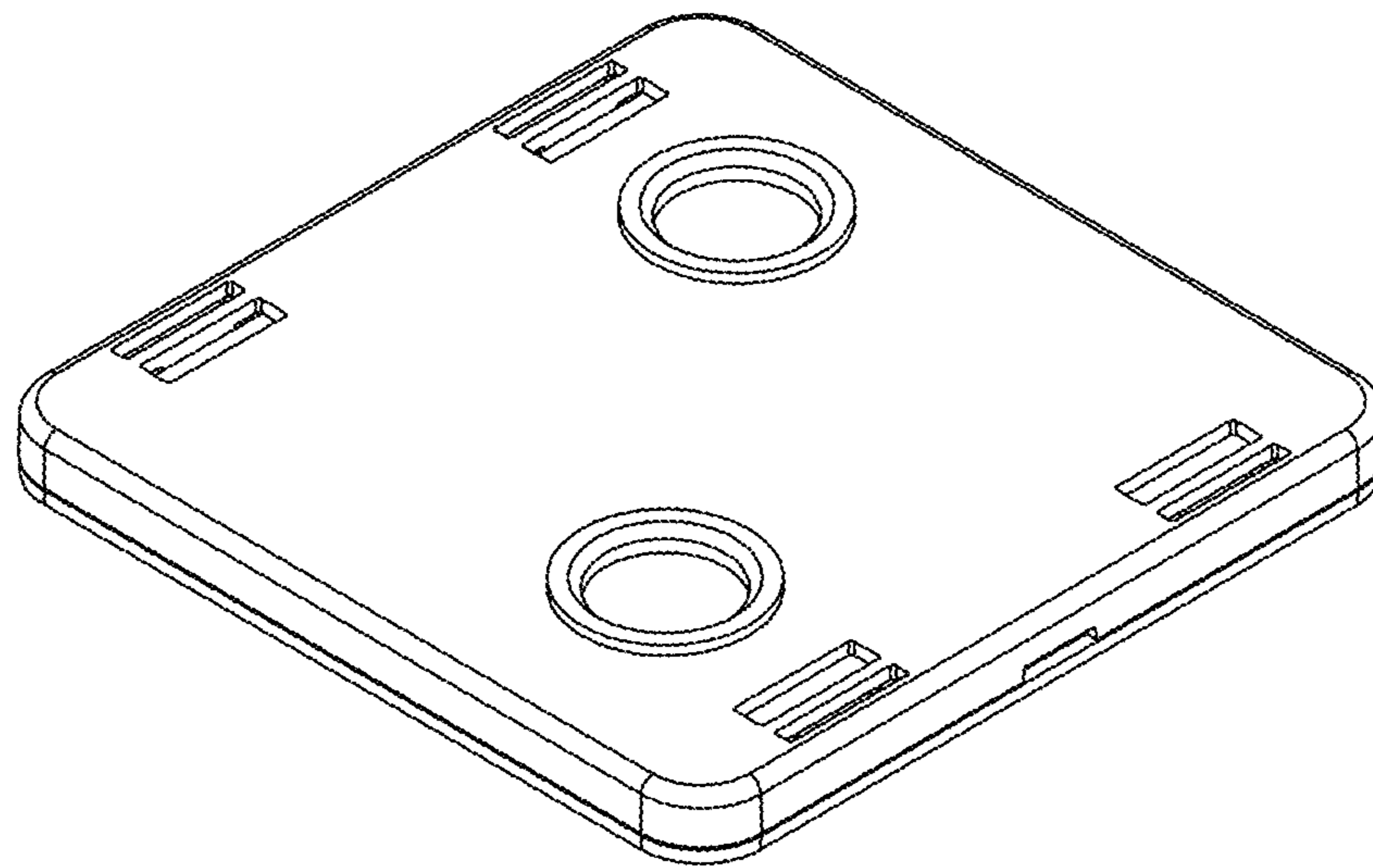


FIG. 2



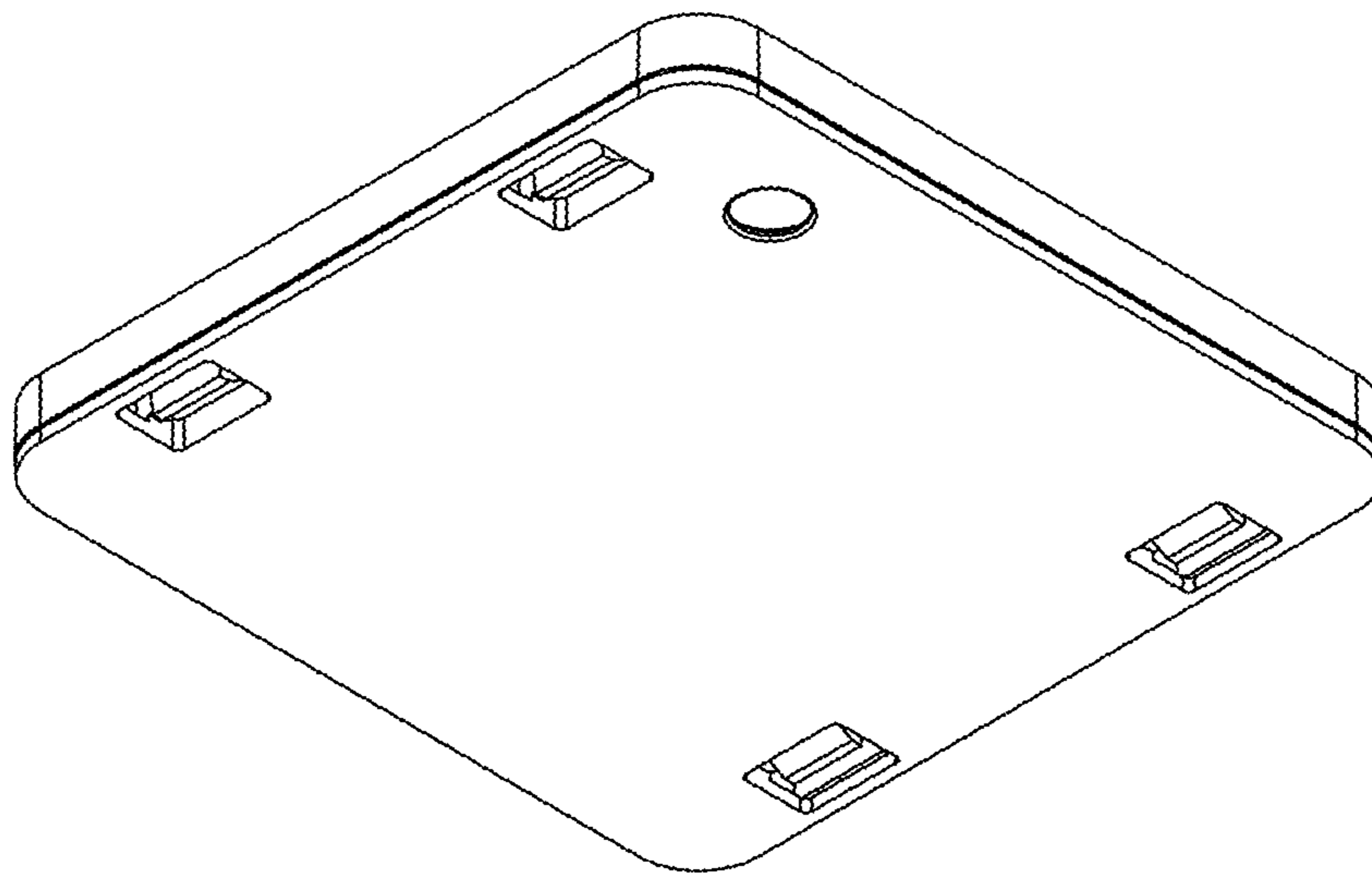


FIG. 3

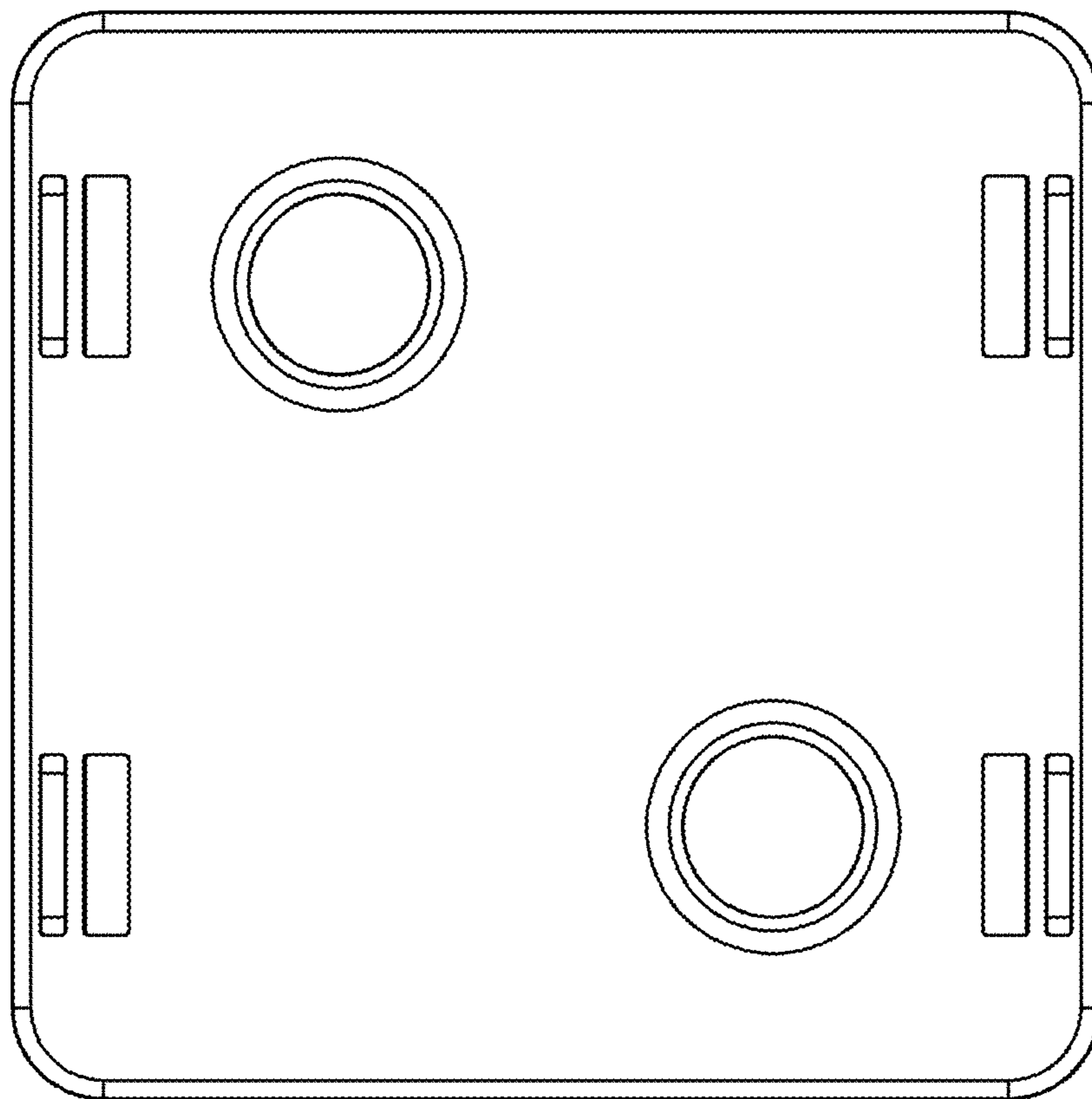


FIG. 4

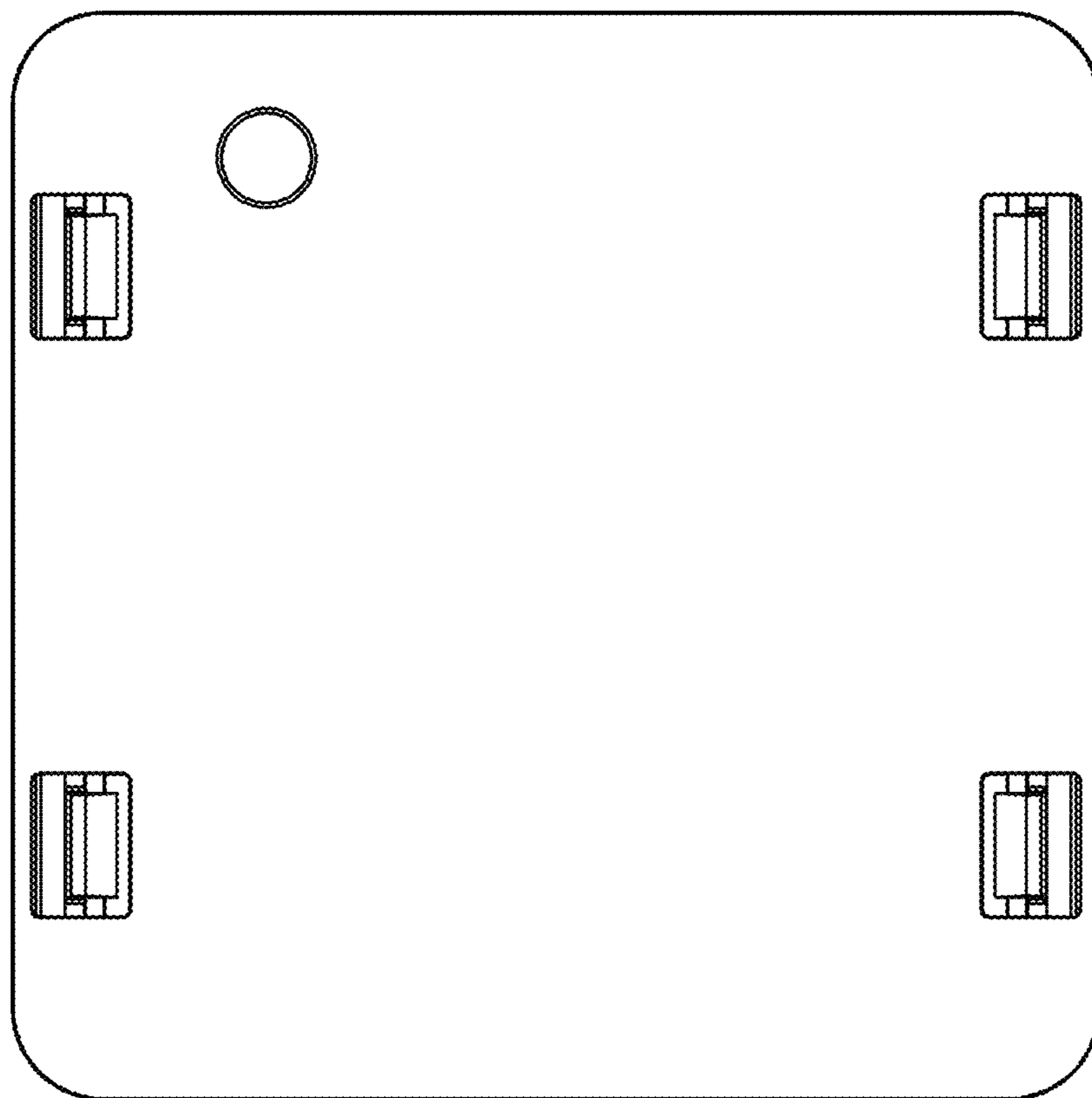


FIG. 5

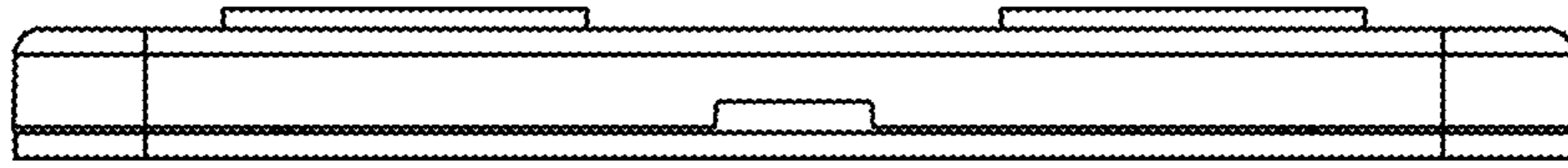


FIG. 6

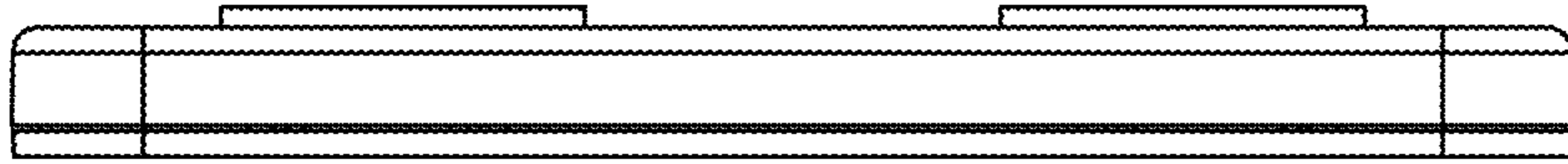


FIG. 7

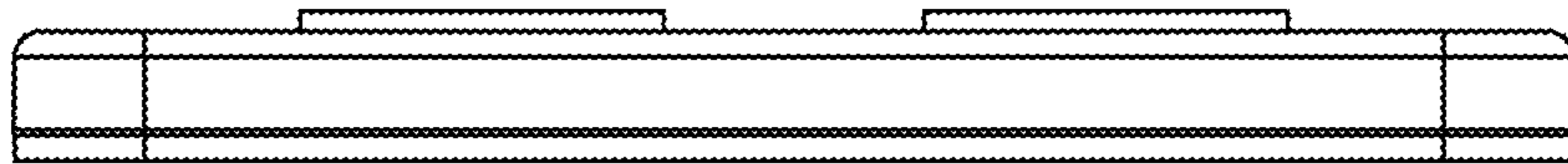


FIG. 8



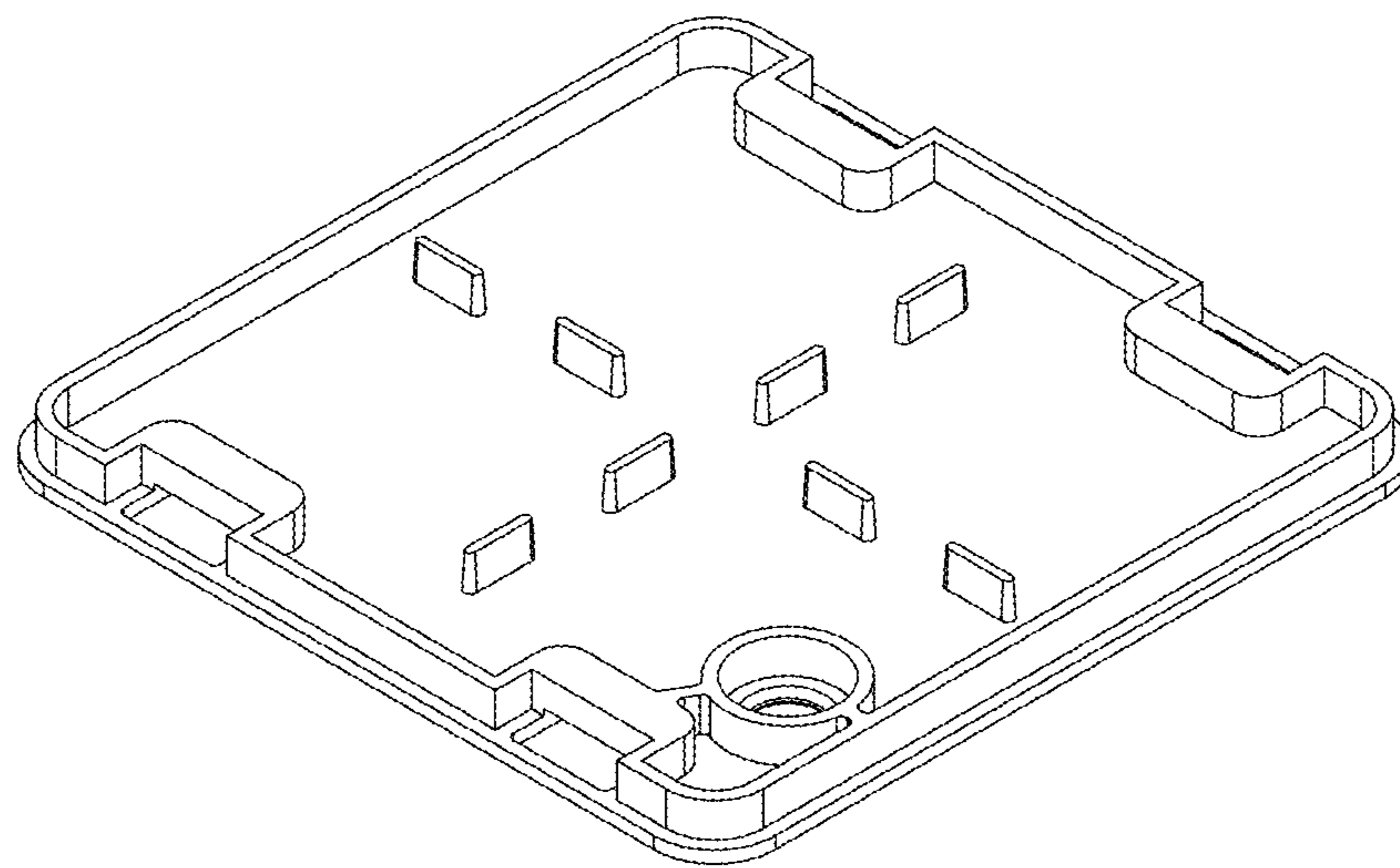


FIG. 9

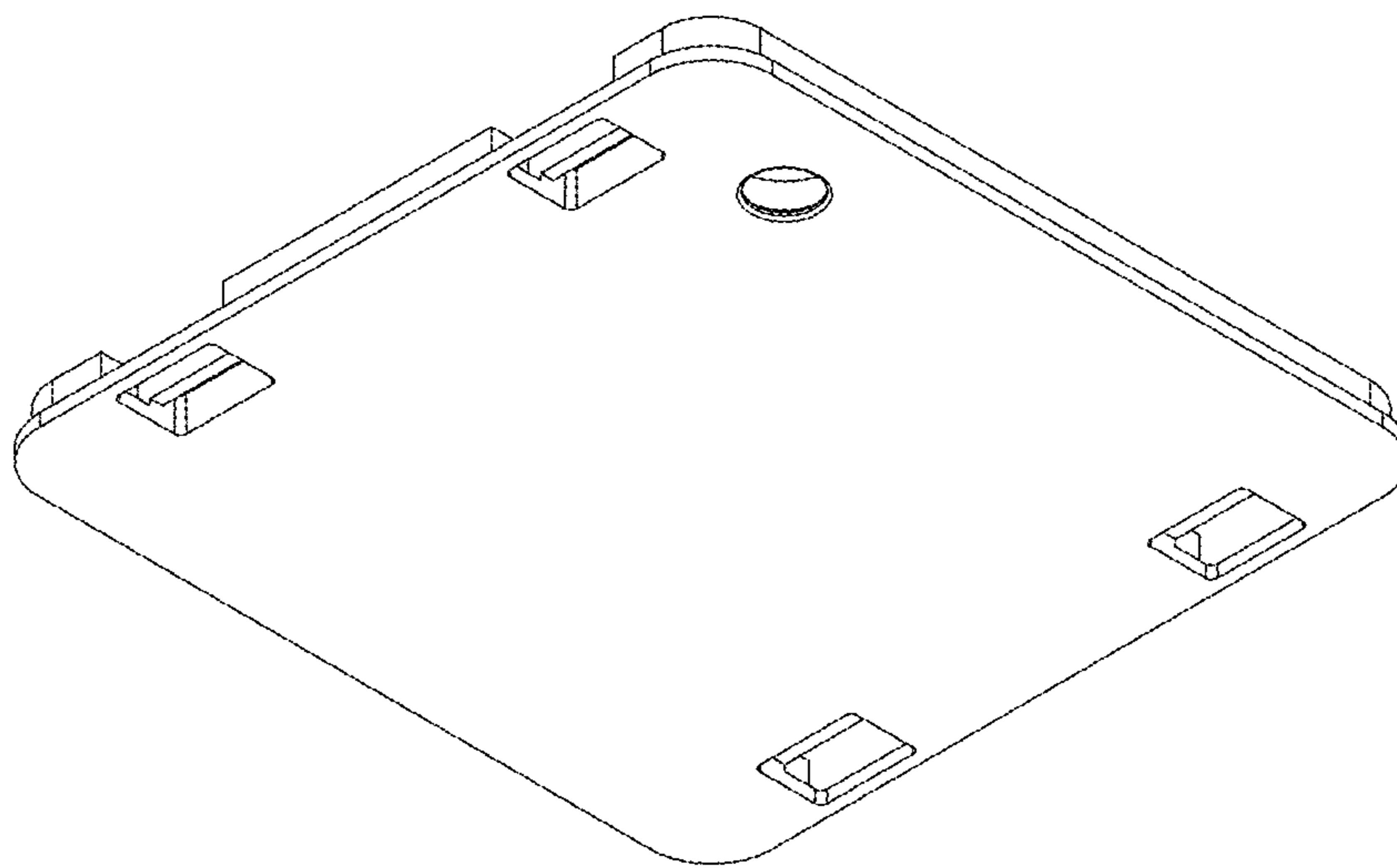


FIG. 10

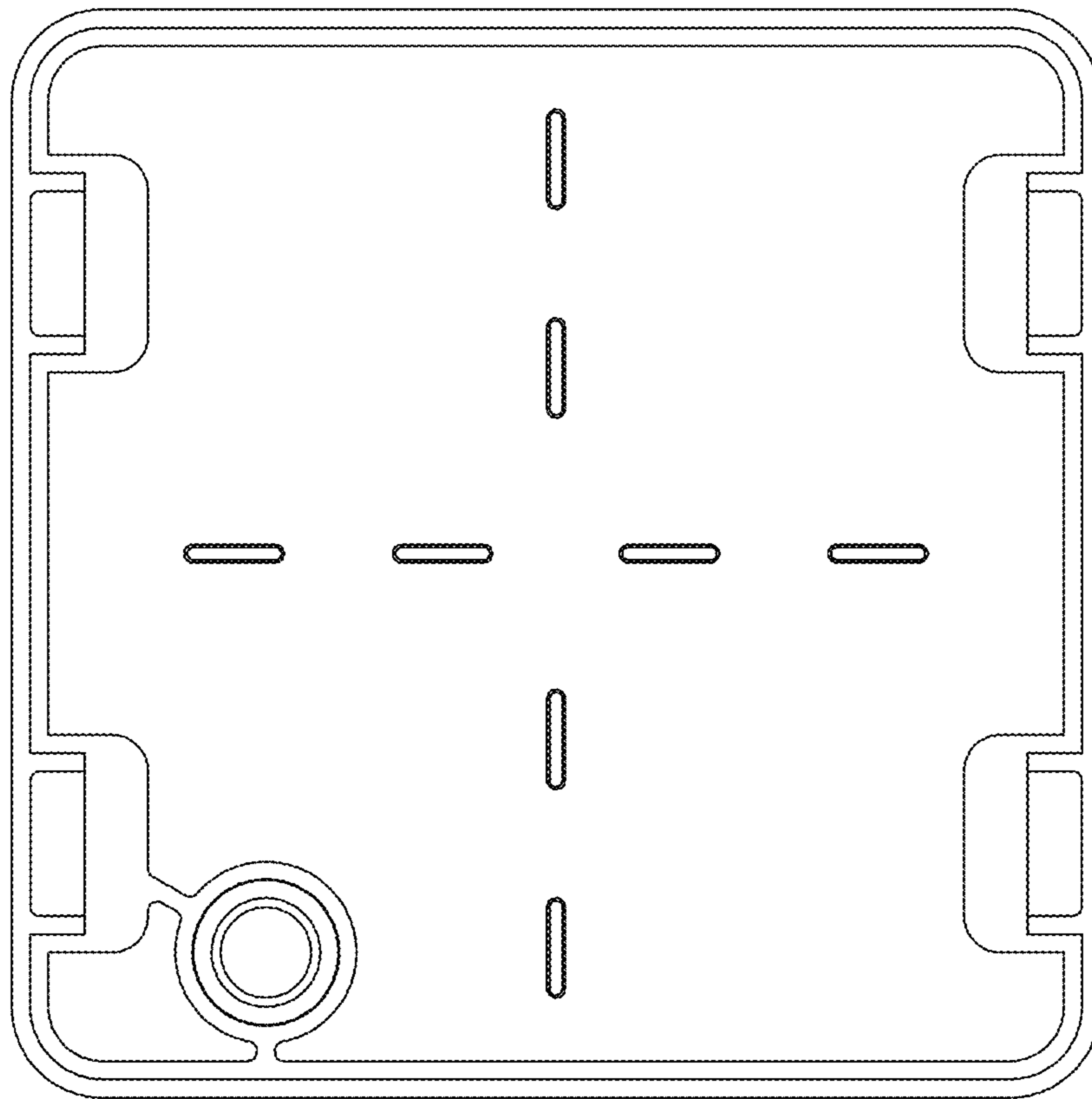


FIG. 11

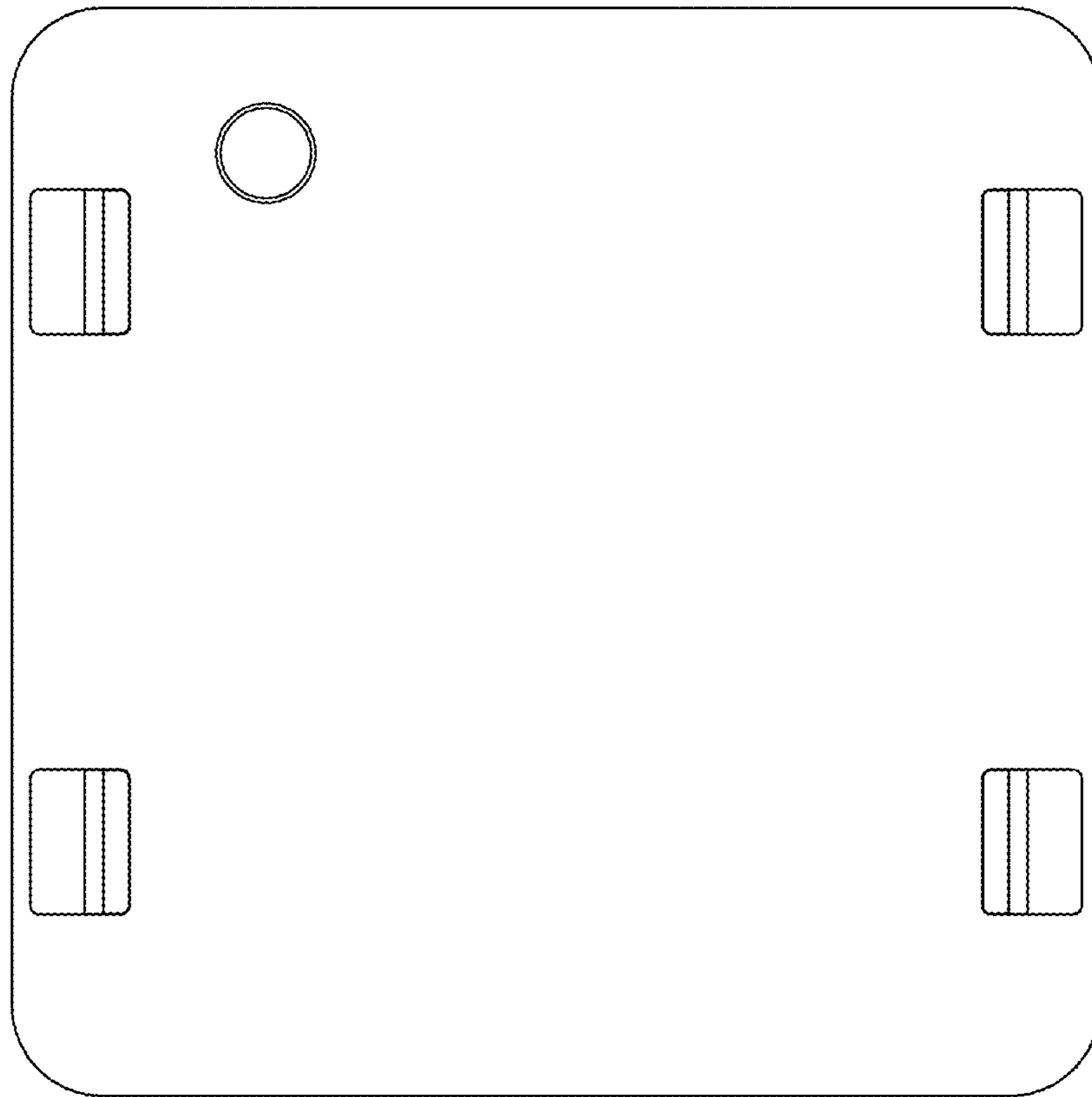


FIG. 12



FIG. 13



FIG. 14

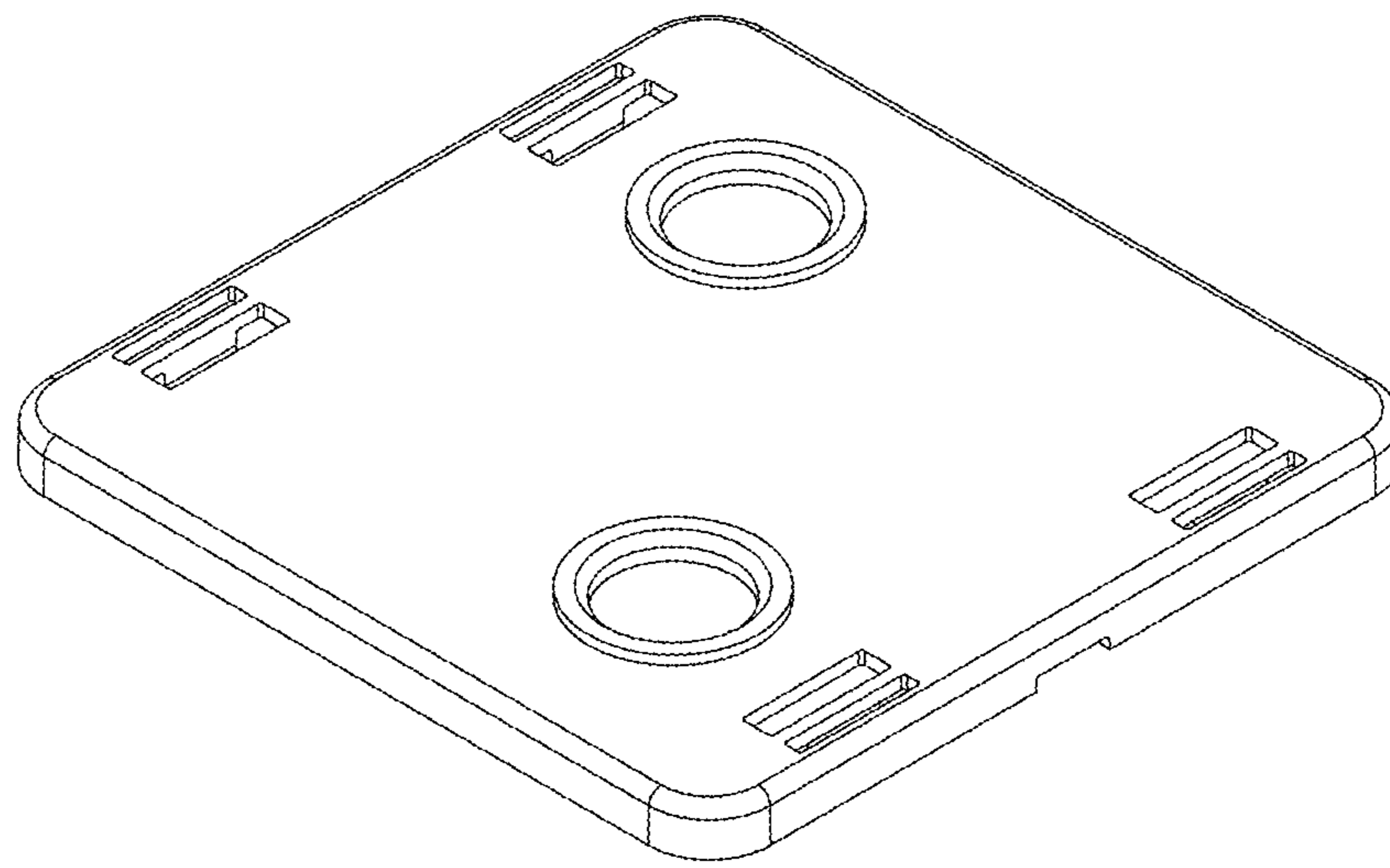


FIG. 15



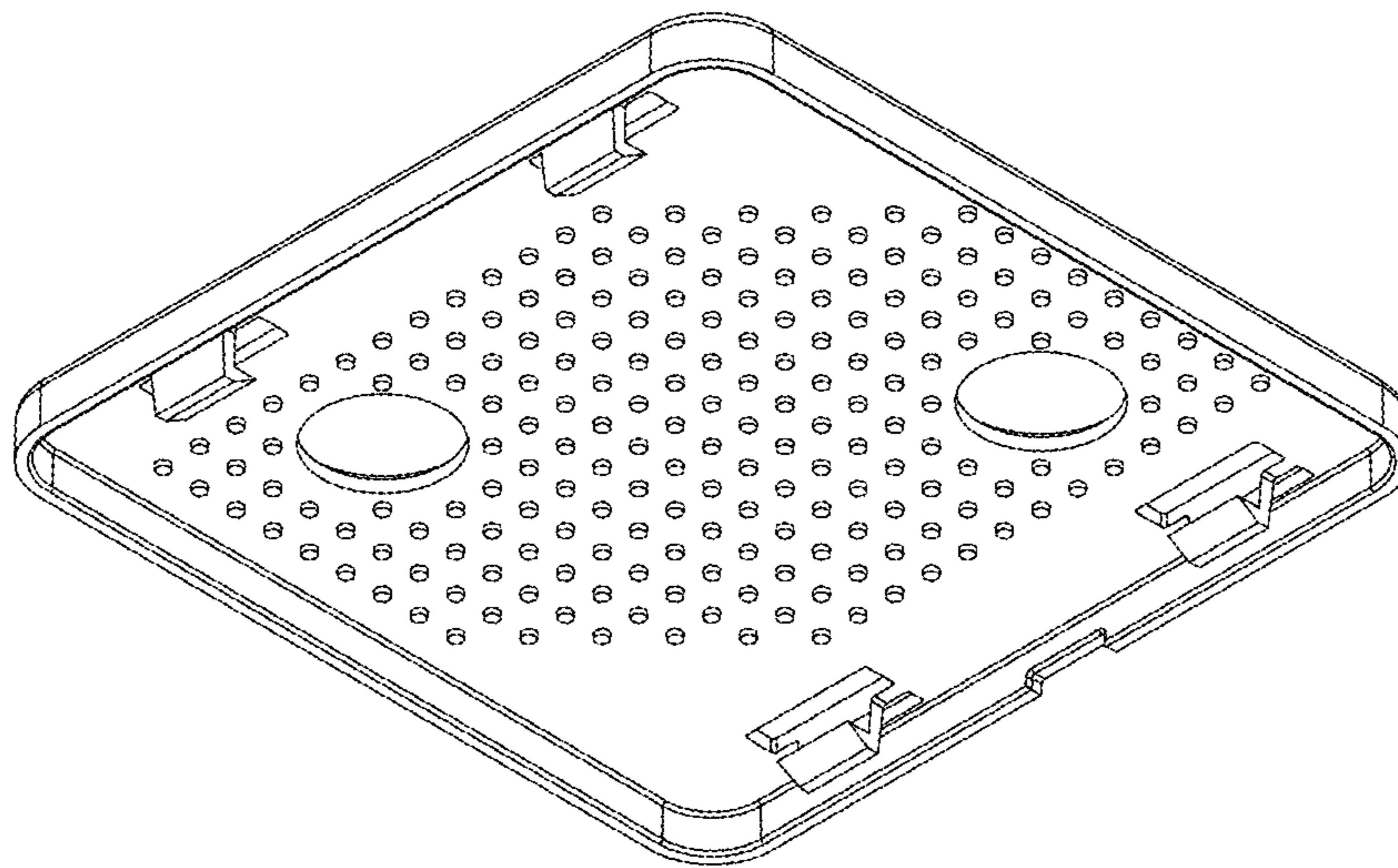


FIG. 16

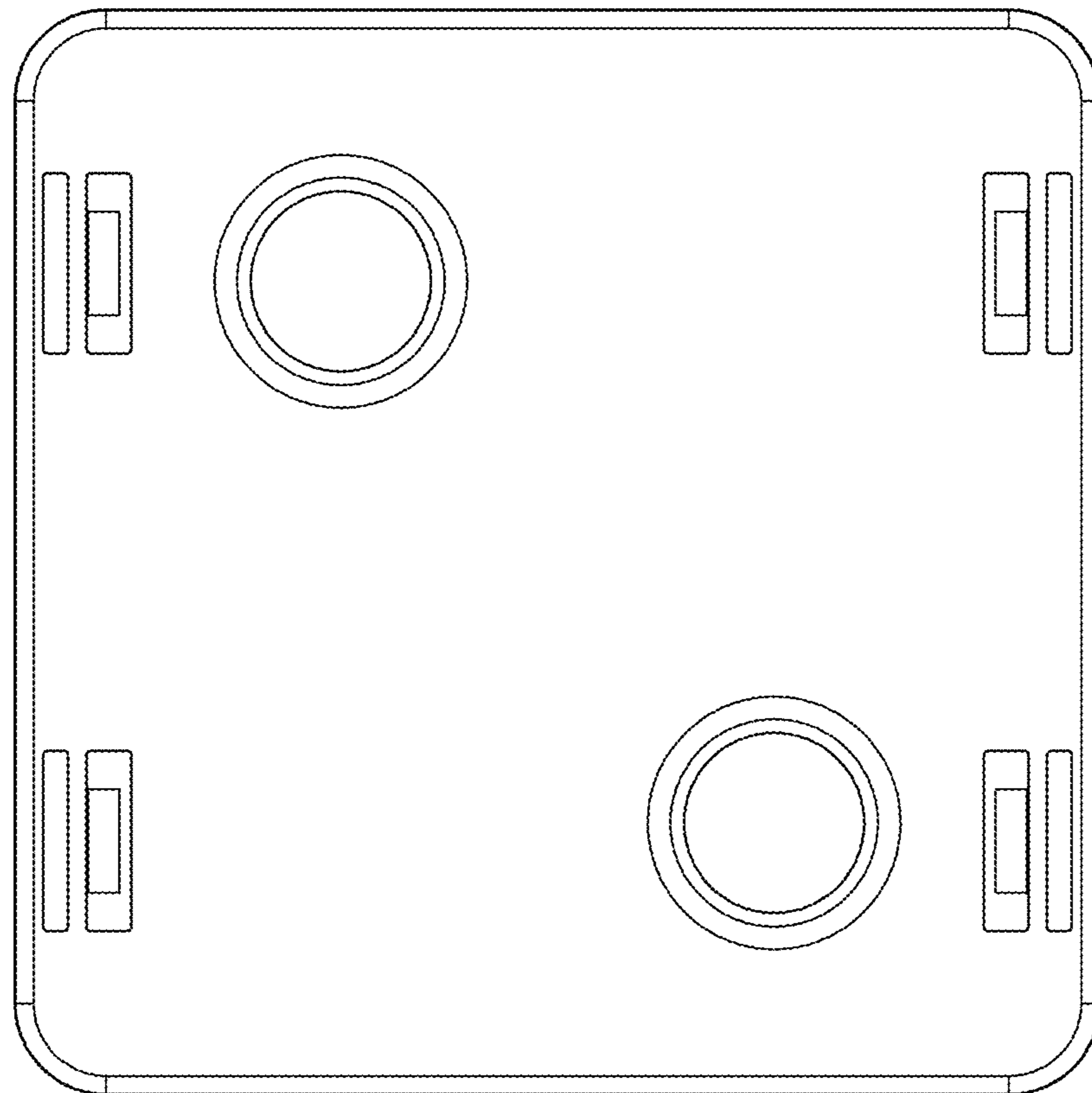


FIG. 17

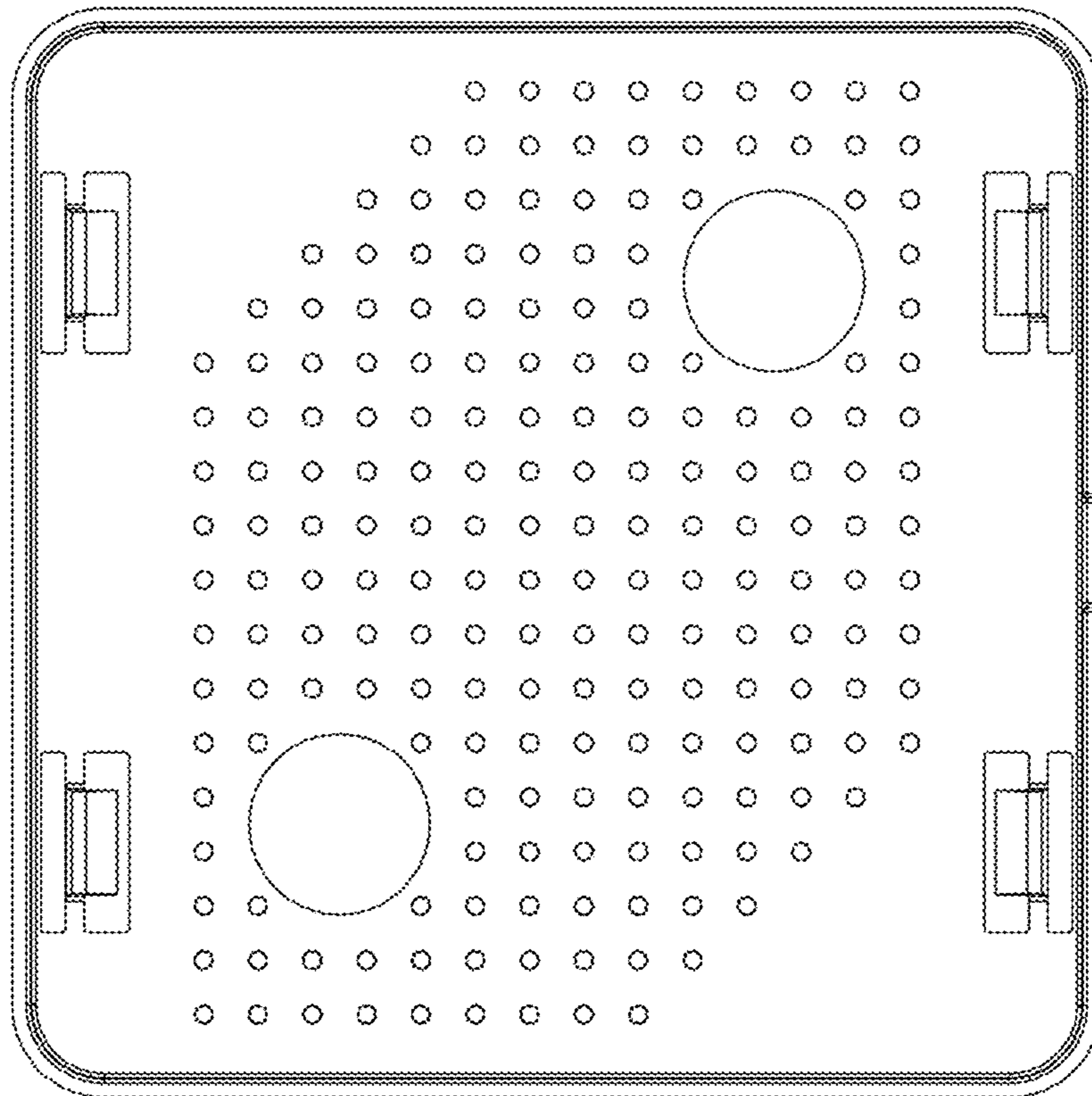


FIG. 18

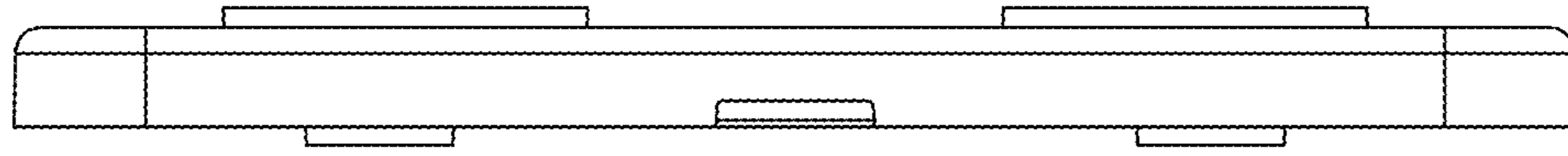


FIG. 19

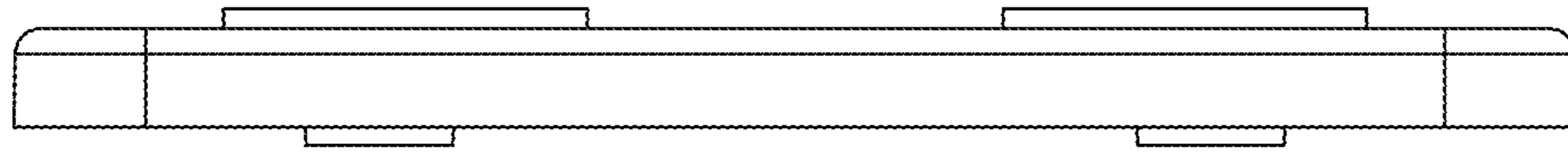


FIG. 20

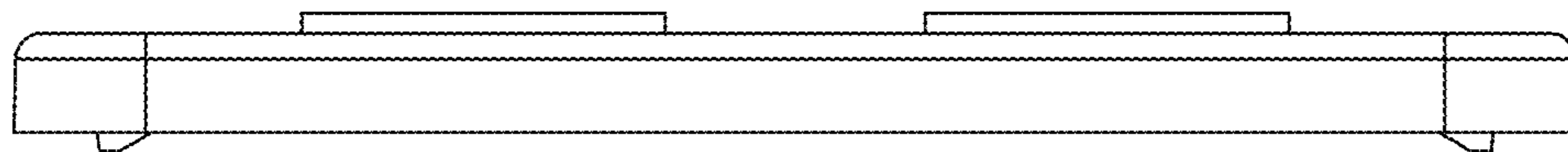


FIG. 21