



US00D875269S

(12) **United States Design Patent** (10) **Patent No.:** **US D875,269 S**
Luoma, II (45) **Date of Patent:** **** Feb. 11, 2020**

(54) **REAGENT KIT WITH MULTIPLE BOTTLES**

4,705,668 A 11/1987 Kaltenbach et al.
D297,166 S 8/1988 Hollar et al.
4,849,177 A 7/1989 Jordan
4,883,763 A 11/1989 Holen et al.

(71) Applicant: **Abbott Laboratories**, Abbott, IL (US)

(72) Inventor: **Robert Paul Luoma, II**, Colleyville, TX (US)

(Continued)

(73) Assignee: **Abbott Laboratories**, Abbott Park, IL (US)

FOREIGN PATENT DOCUMENTS

CA 2556772 9/2005
CN 1183057 5/1998

(**) Term: **15 Years**

(Continued)

(21) Appl. No.: **29/640,810**

OTHER PUBLICATIONS

(22) Filed: **Mar. 16, 2018**

Japanese Patent Office, "Notice of Rejection," issued in connection with Japanese Patent Application No. 2017-020086, dated Nov. 21, 2017, 4 pages.

Related U.S. Application Data

(Continued)

(60) Division of application No. 29/531,426, filed on Jun. 25, 2015, now Pat. No. Des. 815,299, which is a continuation of application No. 13/801,154, filed on Mar. 13, 2013, now Pat. No. 9,535,082.

Primary Examiner — Susan Bennett Hattan
Assistant Examiner — Omeed Agilee
(74) *Attorney, Agent, or Firm* — Hanley, Flight & Zimmerman, LLC

(51) **LOC (12) Cl.** **24-02**

(52) **U.S. Cl.**
USPC **D24/224**

(57) **CLAIM**

(58) **Field of Classification Search**
USPC D24/121, 216, 223–232; D9/423, 424, D9/455, 517; D7/300, 300.1, 316, 317, D7/598

The ornamental design for a "reagent kit with multiple bottles," as shown and described.

CPC B01L 3/0234; B01L 3/50825; B01L 9/00; B01L 9/06; B01F 13/0016; B01F 13/002; B01F 11/0022; G01N 35/04

DESCRIPTION

See application file for complete search history.

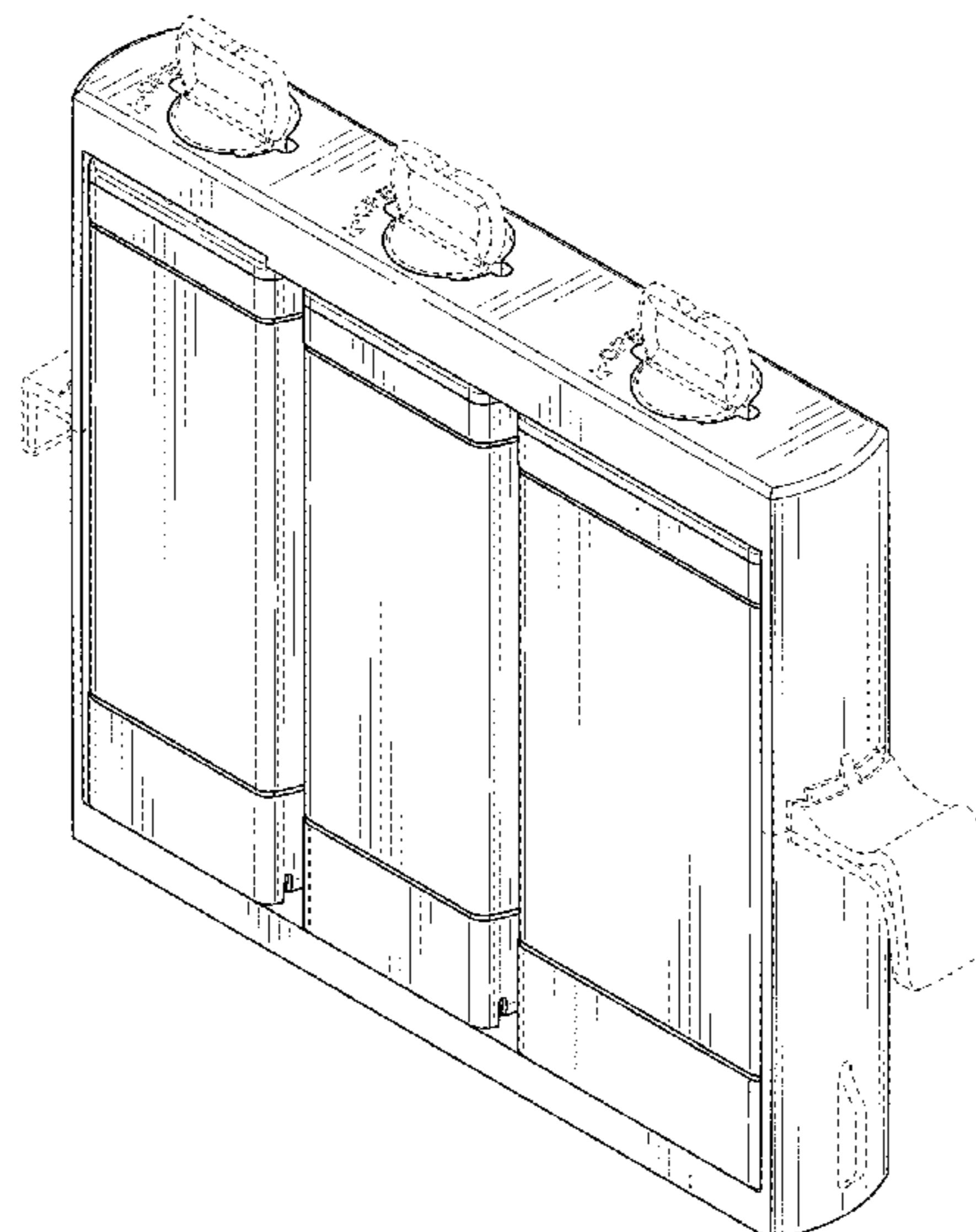
FIG. 1 is a front right perspective view of a reagent kit with multiple bottles.
FIG. 2 is a front view of the reagent kit of FIG. 1.
FIG. 3 is a rear view of the reagent kit of FIG. 1.
FIG. 4 is a right side view of the reagent kit of FIG. 1.
FIG. 5 is a left side view of the reagent kit of FIG. 1.
FIG. 6 is a top view of the reagent kit of FIG. 1; and, FIG. 7 is a bottom view of the reagent kit of FIG. 1.
The features shown in broken lines form no part of the claimed design.

(56) **References Cited**

U.S. PATENT DOCUMENTS

423,362 A 3/1890 Wells
3,994,594 A 11/1976 Sandroock et al.
D273,987 S 5/1984 Holen et al.
4,515,753 A 5/1985 Smith et al.
4,557,600 A 12/1985 Klose et al.
4,684,614 A 8/1987 Krovak et al.

1 Claim, 4 Drawing Sheets



(56)

References Cited

U.S. PATENT DOCUMENTS

4,913,309 A * 4/1990 Fink A61B 50/36
206/409

5,005,721 A 4/1991 Jordan

5,128,104 A 7/1992 Murphy et al.

D342,140 S * 12/1993 Sakagami D24/224

5,324,481 A 6/1994 Dunn et al.

D350,604 S * 9/1994 Weiss D24/121

D355,260 S 2/1995 Tomasso

D358,468 S * 5/1995 Howard D24/118

5,417,922 A 5/1995 Markin et al.

D365,153 S 12/1995 Robertson, Jr.

5,578,272 A 11/1996 Koch et al.

5,632,399 A 5/1997 Palmieri et al.

D380,553 S * 7/1997 Riekkinen D24/224

5,758,786 A 6/1998 John

5,788,928 A 8/1998 Carey et al.

5,811,296 A 9/1998 Chemelli et al.

D400,263 S * 10/1998 Shugart D24/224

5,830,411 A 11/1998 Martinell Gisper-Sauch

D404,831 S 1/1999 Yamazaki et al.

D407,826 S * 4/1999 Yamazaki D24/224

D411,014 S 6/1999 Berger et al.

5,968,453 A 10/1999 Shugart

6,066,300 A 5/2000 Carey et al.

D433,149 S 10/2000 Fassbind et al.

6,149,872 A 11/2000 Mack et al.

6,190,617 B1 2/2001 Clark et al.

6,190,619 B1 2/2001 Kilcoin et al.

6,299,567 B1 10/2001 Forrest et al.

6,319,719 B1 11/2001 Bhullar et al.

6,375,030 B1 4/2002 Spickelmire

6,386,749 B1 5/2002 Watts et al.

6,431,388 B1 8/2002 Spickelmire et al.

6,432,359 B1 8/2002 Carey et al.

6,458,526 B1 10/2002 Schembri et al.

6,509,193 B1 1/2003 Tajima

6,511,634 B1 1/2003 Bradshaw et al.

6,517,783 B2 2/2003 Horner et al.

6,537,505 B1 3/2003 LaBudde et al.

D482,454 S 11/2003 Gebrian

D502,268 S * 2/2005 Sakai D24/223

6,866,820 B1 3/2005 Otto et al.

D517,597 S * 3/2006 Andoh D18/56

D531,736 S 11/2006 Gomm et al.

D532,524 S 11/2006 Gomm et al.

D533,587 S * 12/2006 Andoh D18/56

D533,947 S 12/2006 Gomm et al.

D534,280 S 12/2006 Gomm et al.

7,182,912 B2 2/2007 Carey et al.

7,238,521 B2 7/2007 Hahn et al.

7,458,483 B2 12/2008 Luoma, II

7,485,118 B2 2/2009 Blankenstein et al.

7,615,370 B2 11/2009 Streit et al.

7,628,954 B2 12/2009 Gomm et al.

D611,821 S * 3/2010 Gabriellsson D9/517

7,731,414 B2 6/2010 Vincent et al.

7,736,907 B2 6/2010 Blankenstein et al.

D620,603 S 7/2010 Talmer et al.

7,794,656 B2 9/2010 Liang et al.

D630,765 S 1/2011 Winkenbach et al.

D632,402 S 2/2011 Sattler et al.

7,897,379 B2 3/2011 Kenney et al.

D637,731 S 5/2011 Sattler et al.

7,951,344 B2 5/2011 Kikuchi et al.

7,964,140 B2 6/2011 Watari

D645,973 S 9/2011 Hoenes

8,017,094 B2 9/2011 Meyer et al.

8,133,721 B2 3/2012 Yang et al.

8,187,558 B2 5/2012 Jacobs et al.

D665,095 S 8/2012 Wilson et al.

D666,736 S 9/2012 Kobayashi

D672,881 S 12/2012 Kraihanzel

8,535,624 B2 9/2013 Luoma, II

D696,419 S 12/2013 Fusellier et al.

9,149,979 B2 10/2015 Sattler et al.

9,304,140 B2 4/2016 Wakamiya

D769,456 S * 10/2016 Dulaff D24/224

D774,182 S * 12/2016 Davidian D24/121

9,535,082 B2 1/2017 Luoma, II

D782,060 S * 3/2017 Luoma, II D24/224

D782,061 S * 3/2017 Luoma, II D24/224

D782,062 S * 3/2017 Luoma, II D24/224

D782,063 S * 3/2017 Luoma, II D24/224

D822,224 S * 7/2018 Luoma, II B01L 3/52
D24/224

D848,636 S * 5/2019 Kraemer D24/224

2002/0169518 A1 11/2002 Luoma, II et al.

2003/0044323 A1 3/2003 Diamond et al.

2003/0129766 A1 7/2003 Kawamura et al.

2004/0005714 A1 1/2004 Safar et al.

2004/0134750 A1 7/2004 Luoma, II

2005/0026295 A1 2/2005 Harding et al.

2005/0106756 A1 5/2005 Blankenstein et al.

2005/0175338 A1 * 8/2005 Ide G03D 3/06
396/647

2006/0087911 A1 4/2006 Herz et al.

2006/0263248 A1 11/2006 Gomm et al.

2006/0286004 A1 12/2006 Jacobs et al.

2007/0010019 A1 1/2007 Luoma, II

2007/0166193 A1 7/2007 Veen et al.

2008/0056948 A1 3/2008 Dale et al.

2008/0064090 A1 3/2008 Whittlinger

2008/0226513 A1 9/2008 Morbidelli et al.

2008/0317632 A1 12/2008 Shimasaki et al.

2009/0004058 A1 1/2009 Liang et al.

2009/0215159 A1 8/2009 Kirby

2009/0325309 A1 12/2009 Favuzzi et al.

2010/0092343 A1 4/2010 Németh

2010/0111765 A1 5/2010 Gomm et al.

2010/0190265 A1 7/2010 Dufva et al.

2010/0276445 A1 11/2010 Jacobs et al.

2012/0087830 A1 4/2012 Wakamiya

2012/0141339 A1 6/2012 Sattler et al.

2012/0195808 A1 8/2012 Arras et al.

2012/0218854 A1 8/2012 Behringer et al.

2013/0059376 A1 3/2013 Justice et al.

2014/0038307 A1 2/2014 Daub et al.

2014/0269158 A1 * 9/2014 Luoma, II G01N 35/04
366/214

2014/0271411 A1 * 9/2014 Luoma, II B01L 3/52
422/559

2015/0010443 A1 1/2015 Hasegawa

2015/0057638 A1 * 2/2015 Davidian A61M 5/31591
604/512

2015/0224500 A1 8/2015 Brueckner et al.

2018/0252707 A1 * 9/2018 Zhang G01N 33/5302

FOREIGN PATENT DOCUMENTS

CN 1726288 1/2006

CN 101391197 3/2009

CN 101439274 5/2009

CN 101583877 11/2009

CN 102576030 12/2014

CN 201830193538 * 5/2018

EP 0435481 7/1991

EP 0831330 3/1998

EP 1855114 11/2007

EP 1687080 6/2008

EP 1733794 9/2010

EP 2255880 12/2010

GB 1307086 2/1973

JP S527758 3/1977

JP 56137072 A 10/1981

JP S58134773 9/1983

JP S63182040 7/1988

JP H03102262 4/1991

JP H06253815 9/1994

JP H07198561 8/1995

JP H10228689 8/1998

JP H11515106 12/1999

JP 2000009726 1/2000

JP 2002196006 7/2002

(56)

References Cited

FOREIGN PATENT DOCUMENTS

JP	2003194828	7/2003
JP	2004061160	2/2004
JP	2005017176	1/2005
JP	2005502034	1/2005
JP	2005181338	7/2005
JP	2006125897	5/2006
JP	2007524842	8/2007
JP	2007309740	11/2007
JP	2008026221	2/2008
JP	4268212	5/2009
JP	2009276252	11/2009
JP	2009544959	12/2009
JP	2011099769	5/2011
JP	2016516990	6/2016
WO	9634681	11/1996
WO	03020427	3/2003
WO	2006119361	11/2006
WO	2007125642	11/2007
WO	2008030961	3/2008
WO	2008058979	5/2008
WO	2009131705	10/2009
WO	2011091233	7/2011

OTHER PUBLICATIONS

Japanese Patent Office, "Notice of Rejection," issued in connection with Japanese Patent Application No. 2017-035886, dated Mar. 27, 2018, 17 pages.

European Patent Office, "Communication pursuant to Article 94(3) EPC," issued in connection with European Patent No. 13 821 412.7, dated Jun. 29, 2018, 5 pages.

European Patent Office, "Communication pursuant to Article 94(3) EPC," issued in connection with European Patent No. 13 821 412.7, dated Oct. 17, 2018, 4 pages.

International Searching Authority, "Invitation to Pay Additional Fees and, Where Applicable, Protest Fee and Communication Relating to the Results of the Partial International Search," issued in connection with International Patent Application No. PCT/US2013/078036, dated Apr. 23, 2014, 7 pages.

International Searching Authority, "International Search Report and Written Opinion," issued in connection with International Patent Application No. PCT/US2013/078036, dated Jun. 25, 2014, 17 pages.

International Searching Authority, "International Search Report and Written Opinion," issued in connection International Patent Application No. PCT/US2013/078034, dated Sep. 12, 2014, 21 pages.

International Searching Authority, "Invitation to Pay Additional Fees and, Where Applicable, Protest Fee and Communication Relating to the Results of the Partial International Search," issued in connection with International Patent Application No. PCT/US2013/078034, dated Jun. 3, 2014, 7 pages.

International Searching Authority, "International Preliminary Report on Patentability," issued in connection International Patent Application No. PCT/US2013/078034, dated Sep. 24, 2015, 15 pages.

Isaacson et al., "Hydrodynamic damping due to baffles in a rectangular tank," Canadian Journal of Civic Engineering, Jul. 21, 2001, 9 pages.

European Patent Office, "Communication pursuant to Article 94(3) EPC," issued in connection with European Patent No. 13 821 411.9, dated Jun. 7, 2017, 8 pages.

Japanese Patent Office, "Notice of Rejection," issued in connection with Japanese Patent Application No. 2016-500147, dated Oct. 4, 2016, 8 pages. (With Translation).

Japanese Patent Office, "Notice of Rejection," issued in connection with Japanese Patent Application No. 2016-500148, dated Sep. 6, 2016, 11 pages. (With Translation).

State Intellectual Property Office of the P.R. China, "Notification of Grant of Patent Right for a Design," issued in connection with Chinese Patent Application No. 201630099345.7, dated May 19, 2016, 5 pages.

State Intellectual Property Office of the P.R. China, "Notification of Grant of Patent Right for a Design," issued in connection with Chinese Patent Application No. 201630099342.3, dated May 19, 2016, 5 pages. (With Translation).

State Intellectual Property Office of the P.R. China, "First Office Action," issued in connection with Chinese Patent Application No. 201380076523.8, dated Oct. 18, 2016, 8 pages. (With Translation).

State Intellectual Property Office of the P.R. China, "Second Office Action," issued in connection with Chinese Patent Application No. 201380076521.9, dated Feb. 3, 2017, 23 pages.

State Intellectual Property Office of the P.R. China, "First Office Action and Search Report," issued in connection with Chinese Patent Application No. 201380076521.9, dated Jul. 13, 2016, 22 pages.

United States Patent and Trademark Office, "Restriction and/or Election Requirement," issued in connection with U.S. Appl. No. 13/801,154, dated Jul. 14, 2015, 7 pages.

United States Patent and Trademark Office, "Office Action," issued in connection with U.S. Appl. No. 13/801,154, dated Oct. 5, 2015, 6 pages.

United States Patent and Trademark Office, "Restriction and/or Election Requirement," issued in connection with U.S. Appl. No. 13/801,451, dated Jul. 16, 2014, 6 pages.

United States Patent and Trademark Office, "Office Action," issued in connection with U.S. Appl. No. 13/801,451, dated Feb. 18, 2015, 13 pages.

United States Patent and Trademark Office, "Final Office Action," issued in connection with U.S. Appl. No. 13/801,451, dated Aug. 28, 2015, 16 pages.

United States Patent and Trademark Office, "Advisory Action," issued in connection with U.S. Appl. No. 13/801,451, dated Dec. 7, 2015, 11 pages.

United States Patent and Trademark Office, "Final Office Action," issued in connection with U.S. Appl. No. 13/801,451, dated Feb. 24, 2017, 44 pages.

United States Patent and Trademark Office, "Non-Final Office Action," issued in connection with U.S. Appl. No. 13/801,451, dated Jun. 15, 2017, 27 pages.

United States Patent and Trademark Office, "Office Action," issued in connection with U.S. Appl. No. 13/801,451, dated Aug. 12, 2016, 20 pages.

United States Patent and Trademark Office, "Restriction and/or Election Requirement," issued in connection with U.S. Appl. No. 29/531,434, dated May 10, 2016, 8 pages.

United States Patent and Trademark Office, "Ex Parte Quayle Action," issued in connection with U.S. Appl. No. 29/531,434, dated Jan. 26, 2017, 15 pages.

United States Patent and Trademark Office, "Notice of Non-Complaint Amendment," issued in connection with U.S. Appl. No. 29/531,434, dated Jun. 29, 2017, 15 pages.

United States Patent and Trademark Office, "Restriction and/or Election Requirement," issued in connection with U.S. Appl. No. 29/531,434, dated Sep. 6, 2016, 9 pages.

United States Patent and Trademark Office, "Non-Final Office Action," issued in connection with U.S. Appl. No. 15/347,556, dated Mar. 7, 2017, 7 pages.

United States Patent and Trademark Office, "Notice of Allowance," issued in connection with U.S. Appl. No. 15/347,556, dated Jun. 14, 2017, 22 pages.

United States Patent and Trademark Office, "Restriction and/or Election Requirement," issued in connection with U.S. Appl. No. 29/531,426, dated May 16, 2016, 13 pages.

United States Patent and Trademark Office, "Restriction and/or Election Requirement," issued in connection with U.S. Appl. No. 29/531,426, dated Aug. 18, 2016, 9 pages.

United States Patent and Trademark Office, "Ex Parte Quayle Action," issued in connection with U.S. Appl. No. 29/531,426, dated Dec. 30, 2016, 11 pages.

United States Patent and Trademark Office, "Notice of Non-Complaint Amendment," issued in connection with U.S. Appl. No. 29/531,426, dated Jun. 29, 2017, 7 pages.

(56)

References Cited

OTHER PUBLICATIONS

United States Patent and Trademark Office, "Notice of Allowance," issued in connection with U.S. Appl. No. 29/531,426, dated Dec. 14, 2017, 11 pages.

United States Patent and Trademark Office, "Notice of Allowance," issued in connection with U.S. Appl. No. 29/531,426, dated Jan. 11, 2018, 2 pages.

United States Patent and Trademark Office, "Notice of Allowance," issued in connection with U.S. Appl. No. 29/531,434, dated Jan. 3, 2018, 7 pages.

European Patent Office, "Communication pursuant to Rules 161(1) and 162 EPC," issued in connection with European Patent Application No. 13821412.7, dated Oct. 28, 2015, 2 pages.

State Intellectual Property Office of the P.R. China, "Second Office Action," issued in connection with Chinese Patent Application No. 201380076523.8, dated Jun. 12, 2017, 14 pages.

European Patent Office, "Communication pursuant to Article 94(3) EPC," issued in connection with European Patent No. 13 821 411.9, dated Jun. 6, 2017, 8 pages.

International Bureau, "International Preliminary Report on Patentability," issued in connection with PCT Application No. PCT/US2013/078036, dated Sep. 24, 2015, 12 pages.

European Patent Office, "Communication pursuant to Article 94(3) EPC," issued in connection with European Patent No. 13 821 411.9, dated Feb. 26, 2018, 5 pages.

State Intellectual Property Office of the P.R. China, "Third Office Action," issued in connection with Chinese Patent Application No. 201380076521.9, dated Jul. 28, 2017, 25 pages.

United States Patent and Trademark Office, "Notice of Allowance and Fee(s) Due," issued in connection with U.S. Appl. No. 13/801,154, dated Jul. 29, 2016, 5 pages.

United States Patent and Trademark Office, "Final Office Action," issued in connection with U.S. Appl. No. 13/801,451, dated Dec. 29, 2017, 34 pages.

European Patent Office, "Extended European Search Report," issued in connection with European Patent No. 19171575.4, dated Aug. 2, 2019, 8 pages.

United States Patent and Trademark Office, "Non-Final Office Action", issued in connection with U.S. Appl. No. 29/640,815 dated Jun. 14, 2019, 47 pages.

Japanese Patent Office, "Notice of Rejection," issued in connection with Japanese Patent Application No. 2018-121565, dated Jul. 23, 2019, 12 pages.

European Patent Office, "Extended European Search Report," issued in connection with European Pat. No. 19177884.4, dated Sep. 27, 2019, 9 pages.

* cited by examiner

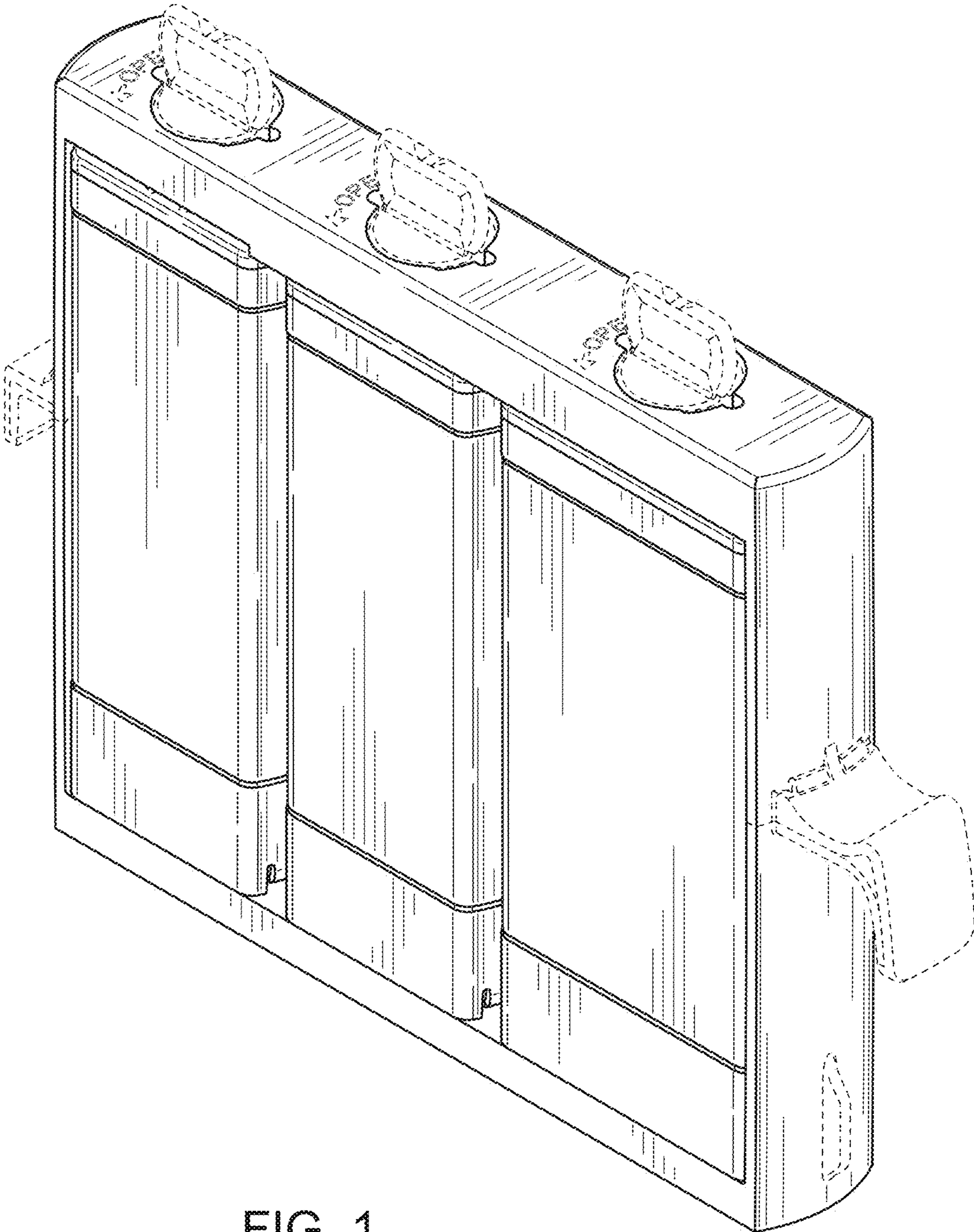


FIG. 1

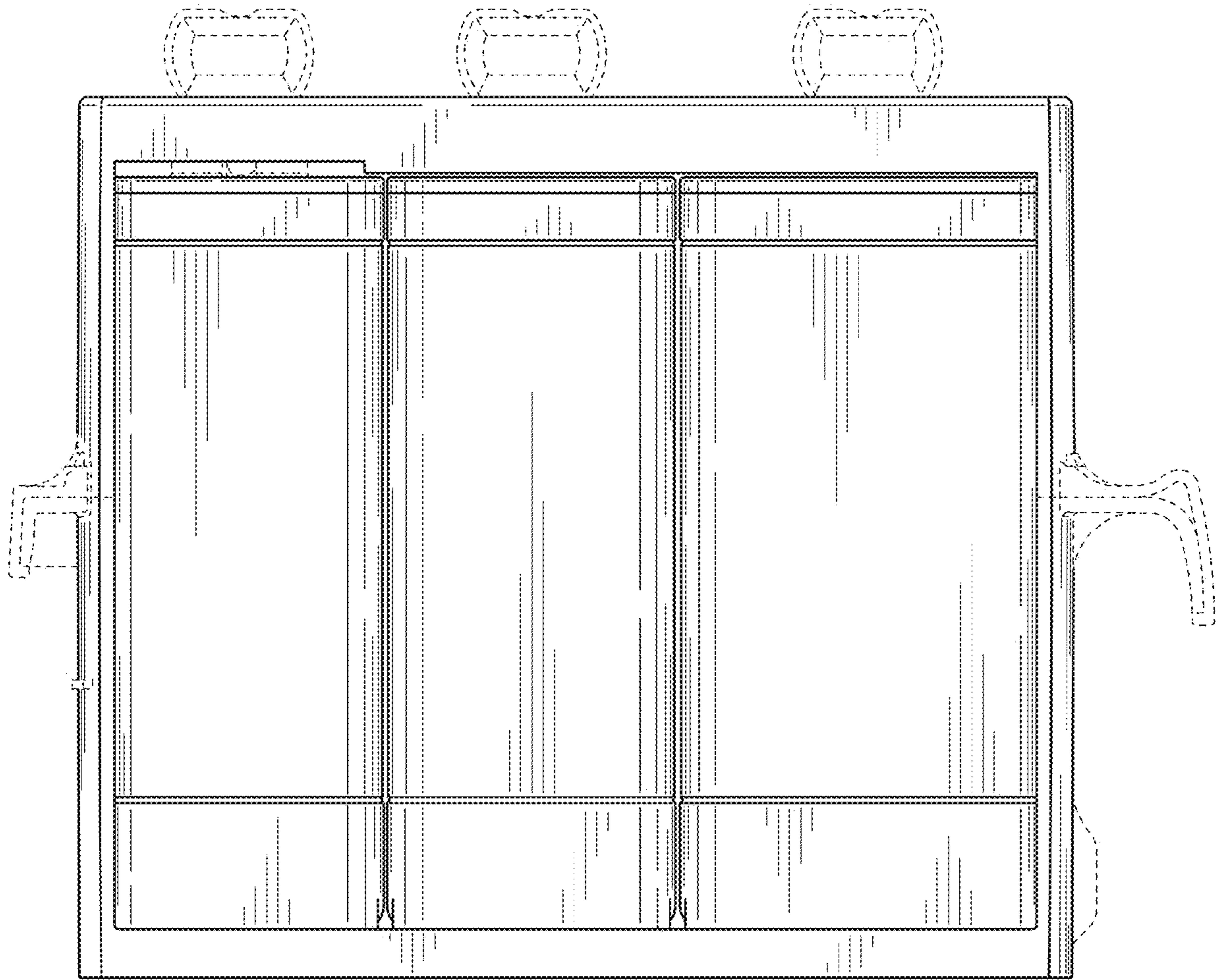


FIG. 2

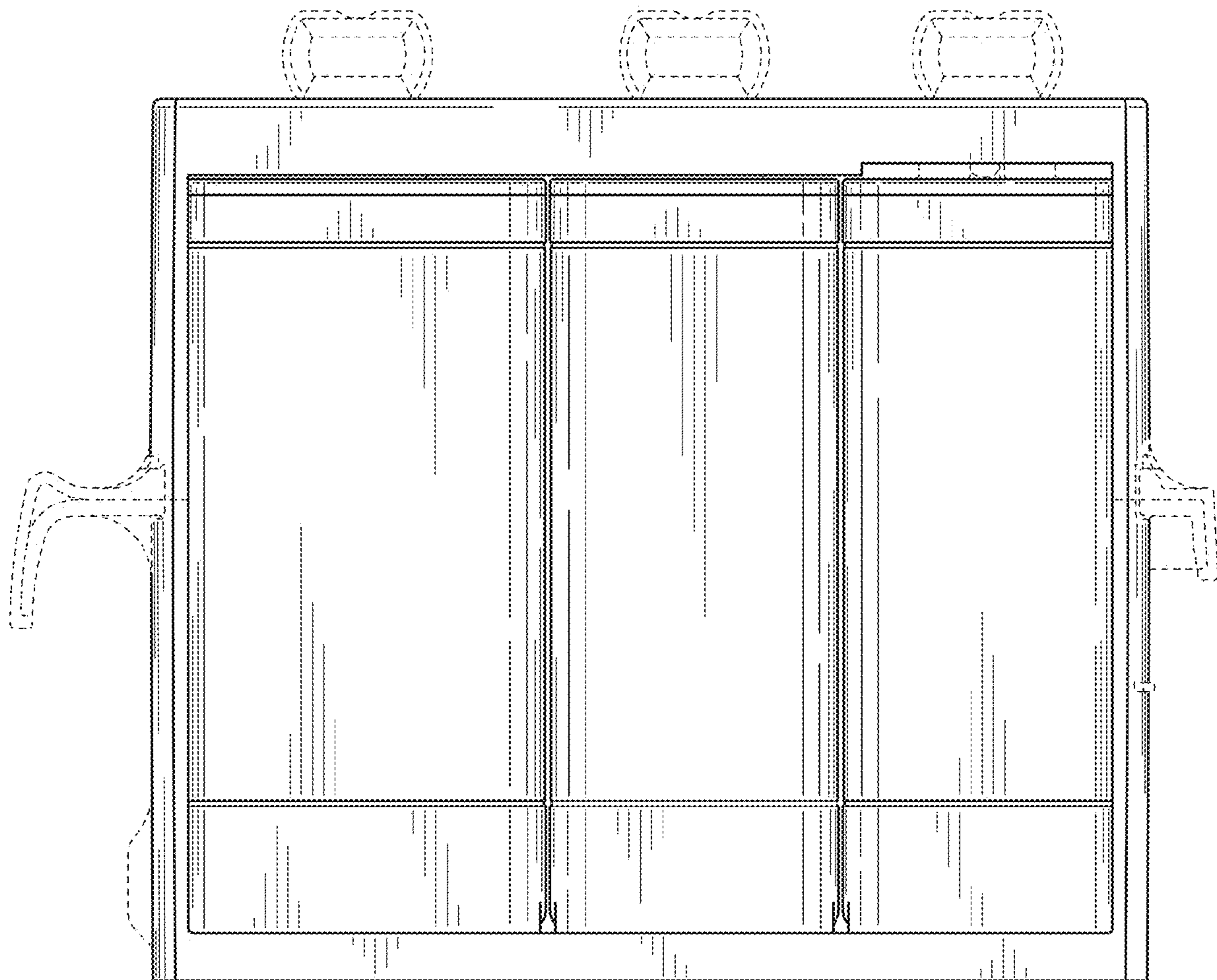


FIG. 3

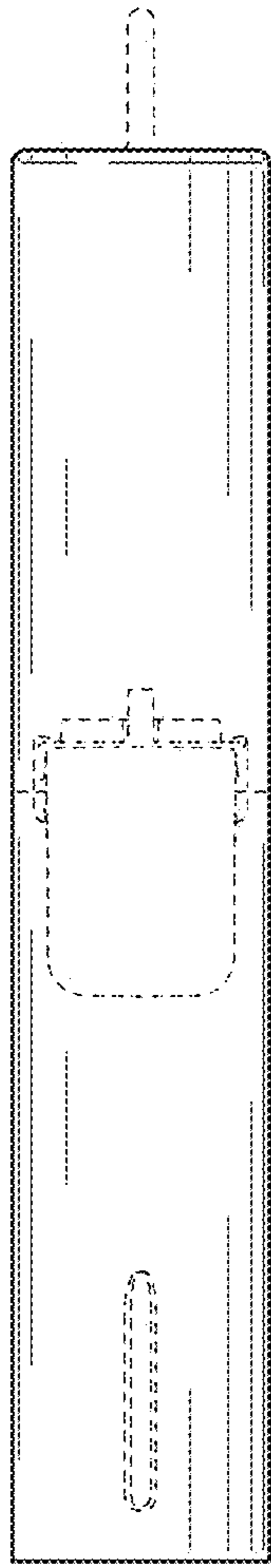


FIG. 4

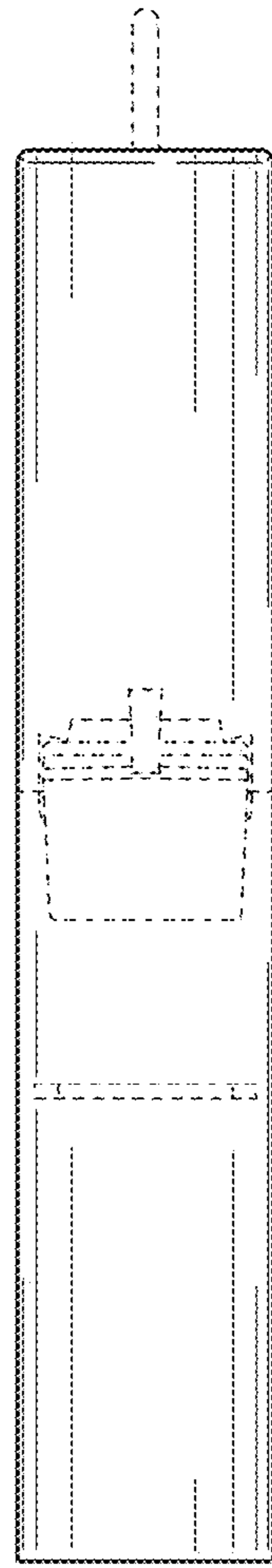


FIG. 5

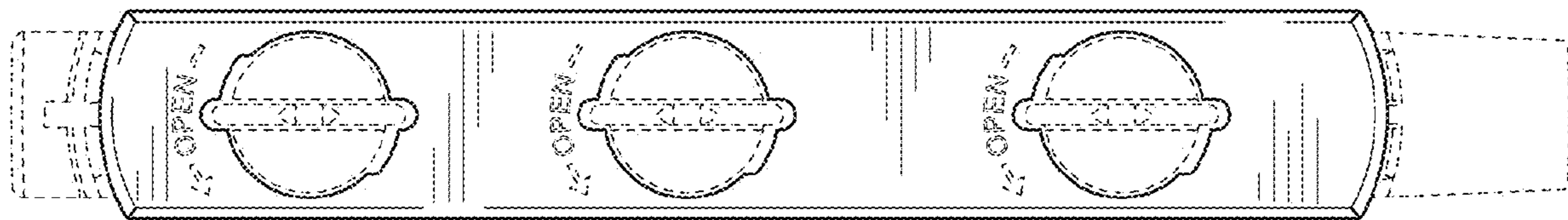


FIG. 6

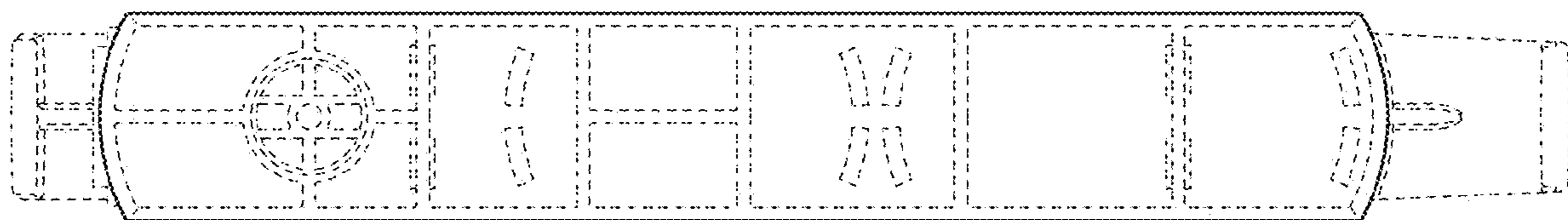


FIG. 7