



US00D875268S

(12) **United States Design Patent** (10) **Patent No.:** **US D875,268 S**
Smith et al. (45) **Date of Patent:** **** Feb. 11, 2020**

(54) **MASSAGER HEAD**
(71) Applicant: **WAHL CLIPPER CORPORATION**,
Sterling, IL (US)
(72) Inventors: **Ryan Smith**, Dixon, IL (US); **Jenny McLaughlin**, Amboy, IL (US)
(73) Assignee: **WAHL CLIPPER CORPORATION**,
Sterling, IL (US)
(**) Term: **15 Years**
(21) Appl. No.: **29/662,971**
(22) Filed: **Sep. 11, 2018**
(51) **LOC (12) Cl.** **28-03**
(52) **U.S. Cl.**
USPC **D24/215**
(58) **Field of Classification Search**
USPC 601/15, 18, 19, 27, 28, 29, 30, 31, 32,
601/46, 47, 48, 52, 72, 99, DIG. 12,
601/DIG. 14-DIG. 17; D24/133, 141,
D24/200, 211, 212, 213, 214, 215;
D21/686, 688; D30/160; 482/77;
280/609
CPC A61H 15/0092; A61H 2207/00; A61H
39/04; A61H 7/007; A61H 2201/1695
See application file for complete search history.

D776,769 S * 1/2017 Heath D21/688
D779,000 S * 2/2017 Olson D21/686
D785,731 S * 5/2017 Stack D21/688
D786,369 S * 5/2017 Choi D21/688
D806,189 S * 12/2017 Failing D21/688
D806,190 S * 12/2017 Failing D21/688
D812,745 S * 3/2018 Pascullo D24/133
D815,780 S * 4/2018 Pater D30/160
2004/0084878 A1 * 5/2004 Adamczewski A63C 5/003
280/609

(Continued)

OTHER PUBLICATIONS

Amazon, "Wahl Lithium Ion Deep Tissue Cordless Percussion",
Mar. 4, 2019. https://www.amazon.com/Cordless-Percussion-Therapeutic-Professionals-04232/dp/B07G4TWXH2/ref=sr_1_12?keywords=wahl+massager+head&qid=1566916256&s=gateway&sr=8-12. Shown on p. 1. (Year: 2019).*

Primary Examiner — Cynthia Ramirez
Assistant Examiner — Michael A Maharajh
(74) *Attorney, Agent, or Firm* — Greer, Burns & Crain,
Ltd.

(57) **CLAIM**

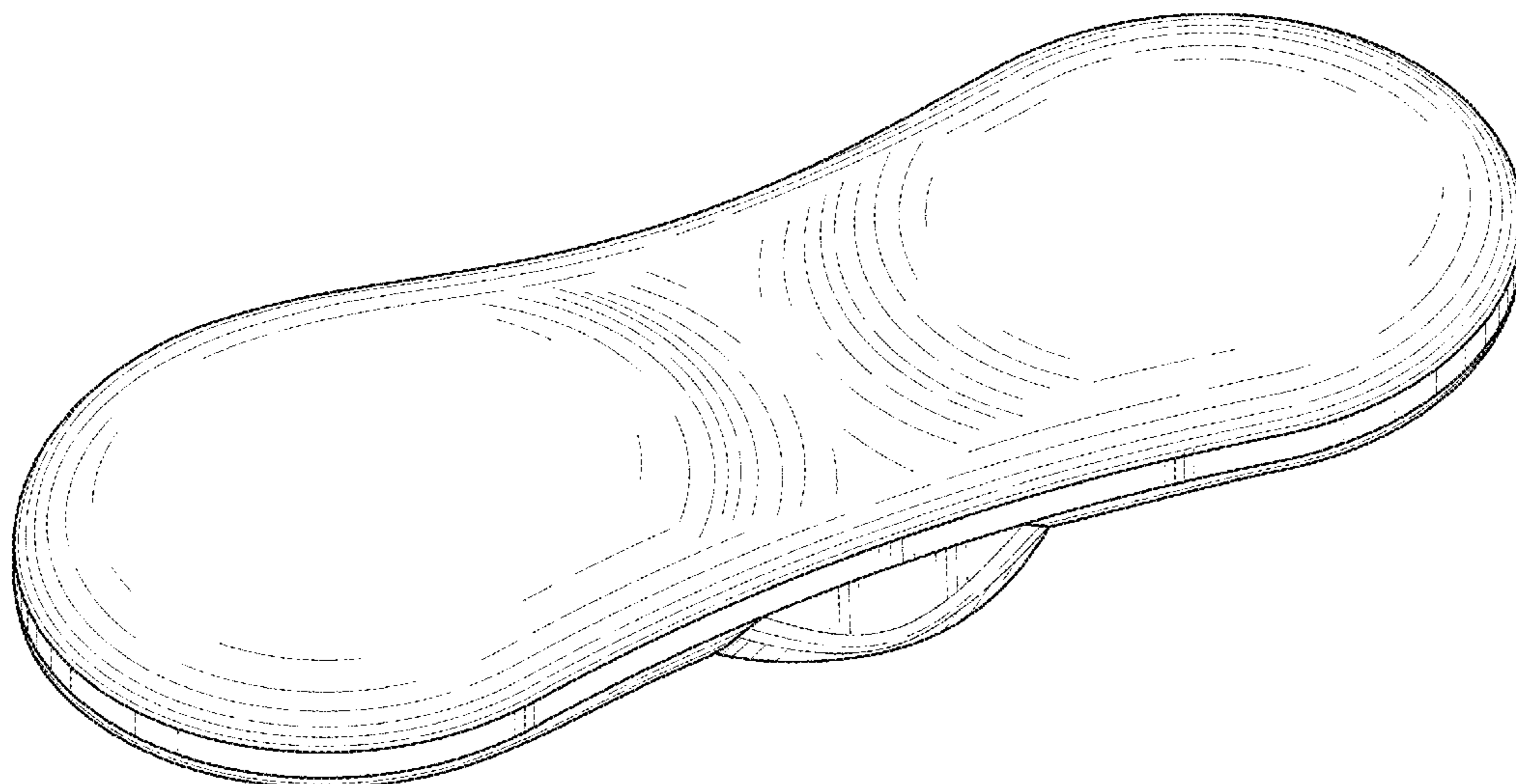
The ornamental design for a massager head, as shown and described.

DESCRIPTION

FIG. 1 is a bottom perspective view of a massager head, showing our new design;
FIG. 2 is a right side view thereof;
FIG. 3 is a left side view thereof;
FIG. 4 is a front view thereof;
FIG. 5 is a rear view thereof;
FIG. 6 is a top view thereof; and,
FIG. 7 is a bottom view thereof.
The subject matter depicted in broken lines is for environment purposes only and forms no part of the claimed invention.

1 Claim, 5 Drawing Sheets

(56) **References Cited**
U.S. PATENT DOCUMENTS
D356,162 S 3/1995 Spahr
D424,691 S * 5/2000 Yavitz D24/128
6,911,010 B2 6/2005 Dirks et al.
D627,898 S 11/2010 Aulwes et al.
D628,304 S 11/2010 Aulwes et al.
D645,675 S * 9/2011 Rice D6/406.3
D659,776 S * 5/2012 Zydiak D21/688
D671,226 S 11/2012 Aulwes et al.
D719,273 S * 12/2014 Chen D24/215
D719,274 S * 12/2014 Chen D24/215
D750,183 S * 2/2016 Heath D21/686



(56)

References Cited

U.S. PATENT DOCUMENTS

2006/0082089 A1* 4/2006 Rejtano A63B 22/18
280/609
2009/0197748 A1* 8/2009 Smith A63B 21/0004
482/146
2015/0351573 A1* 12/2015 Heath A63B 22/16
428/99

* cited by examiner

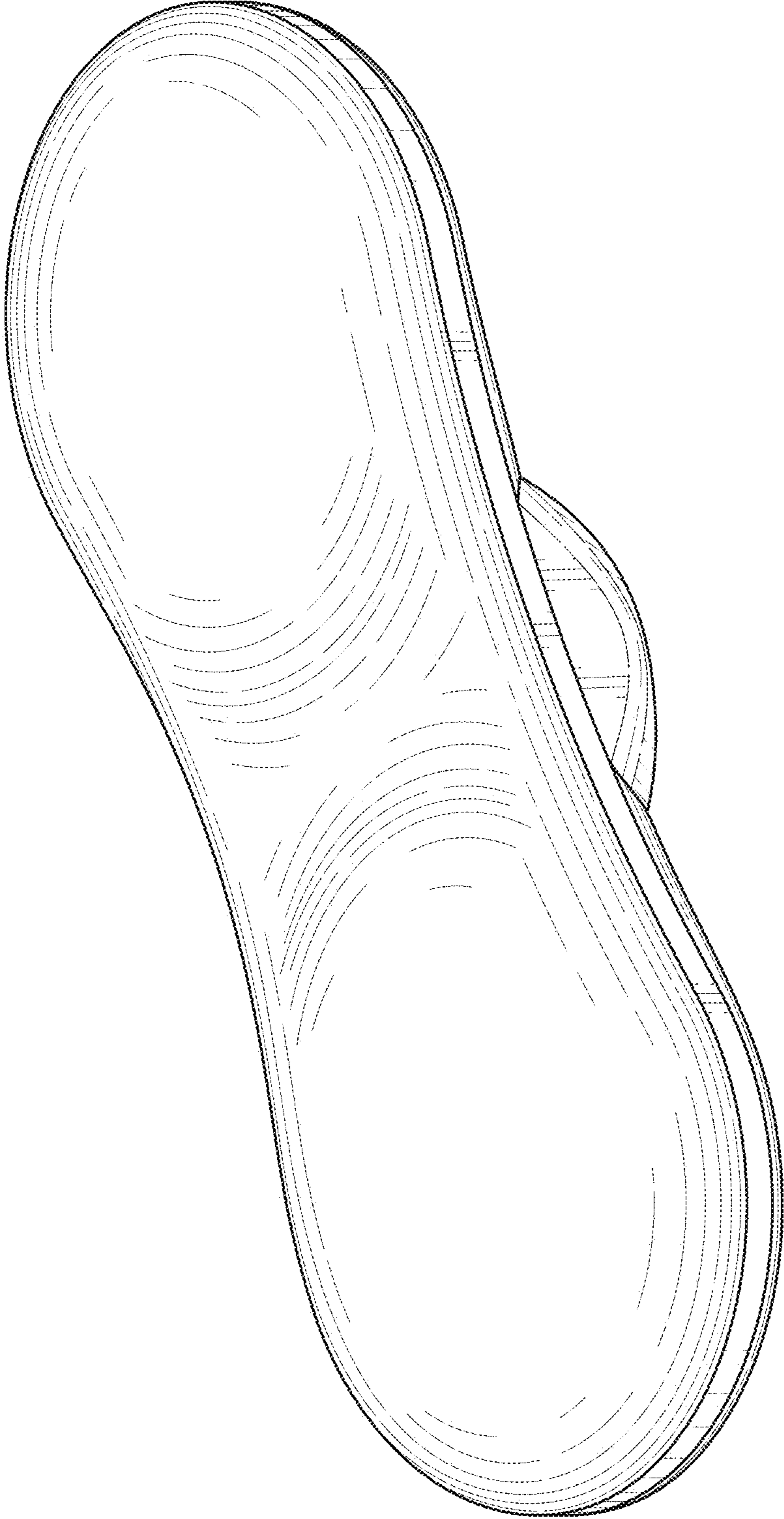


FIG. 1

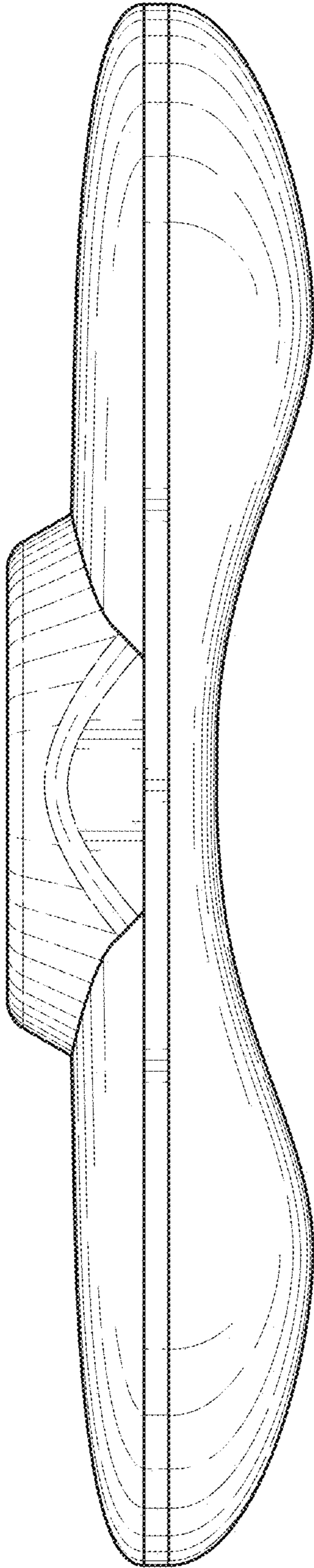


FIG. 2

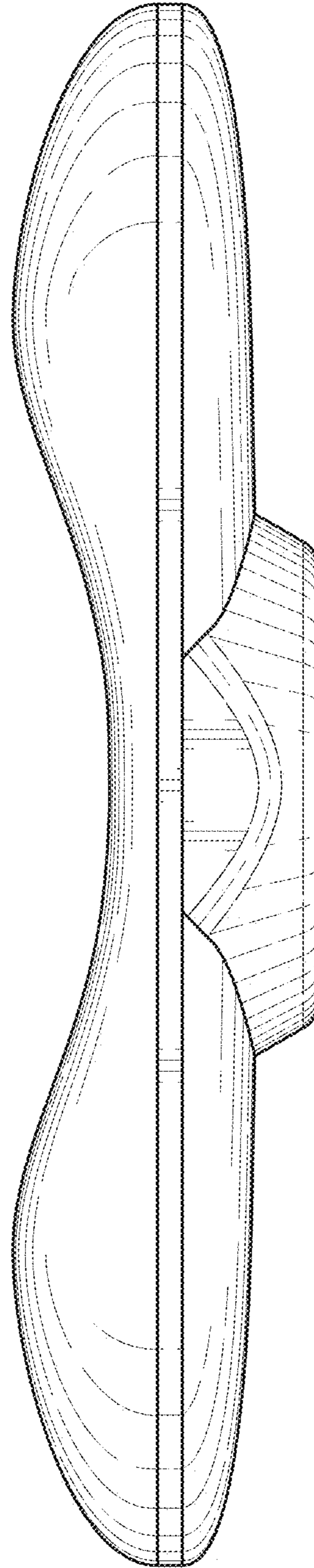


FIG. 3

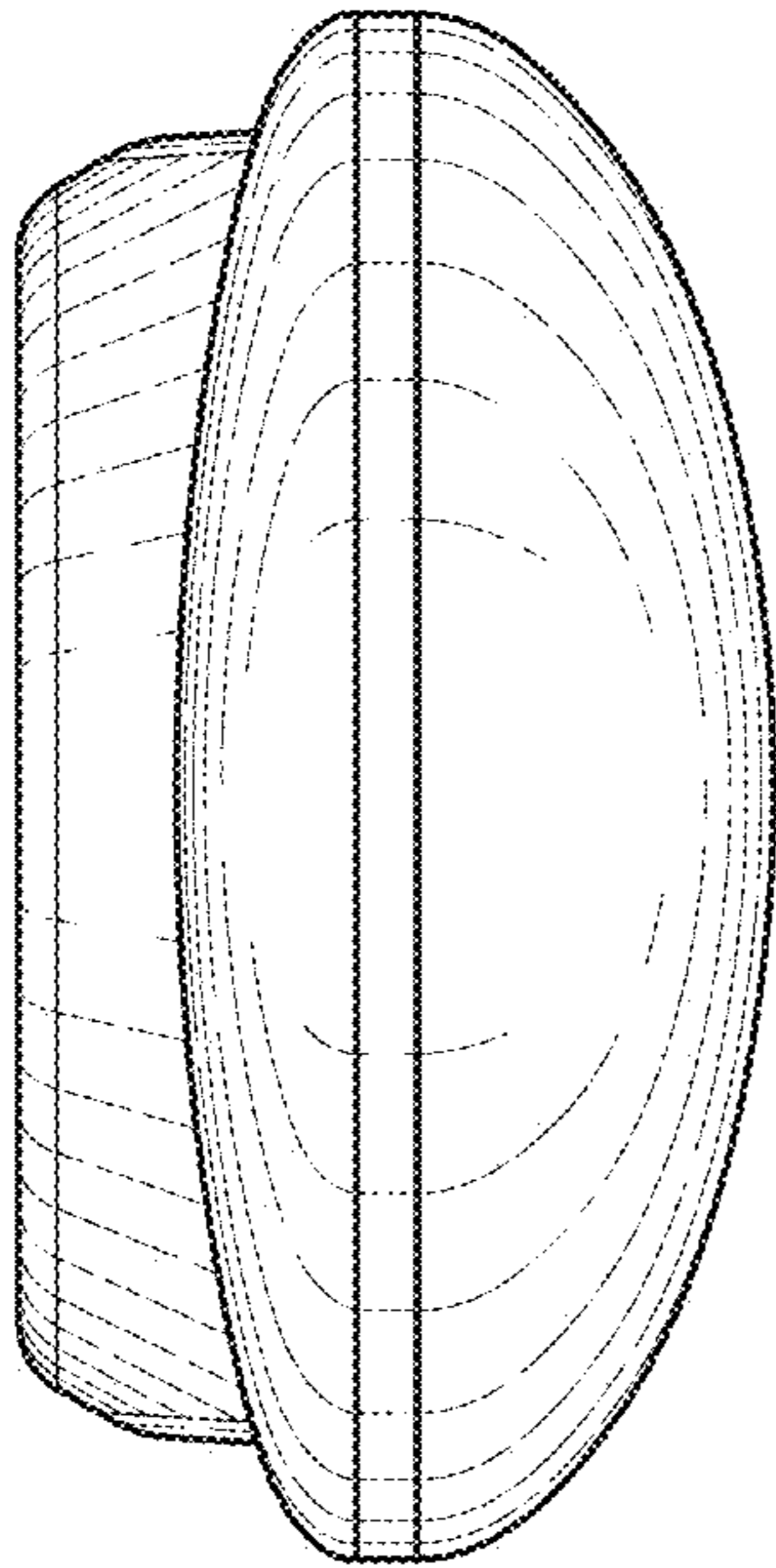


FIG. 4

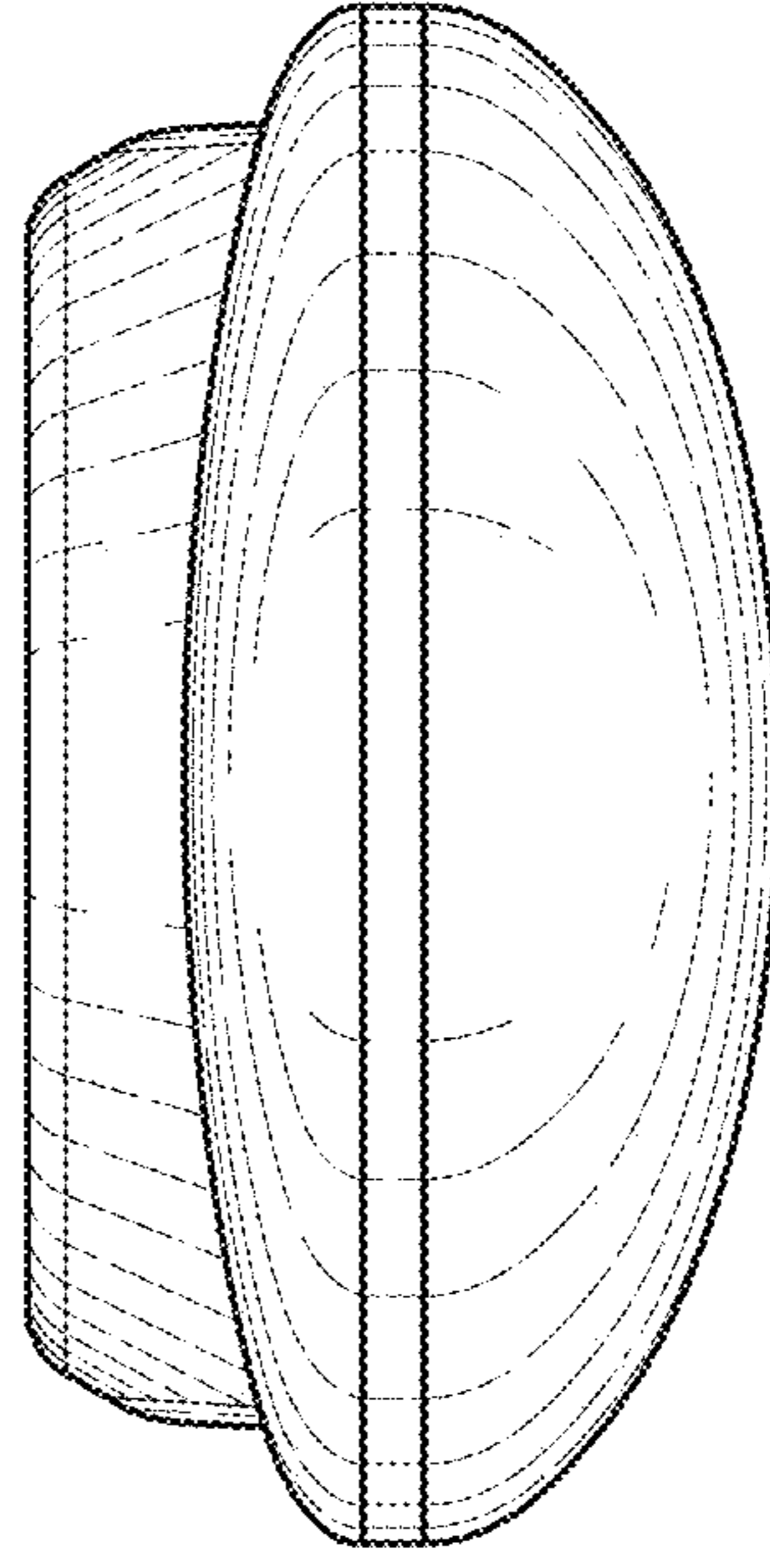


FIG. 5

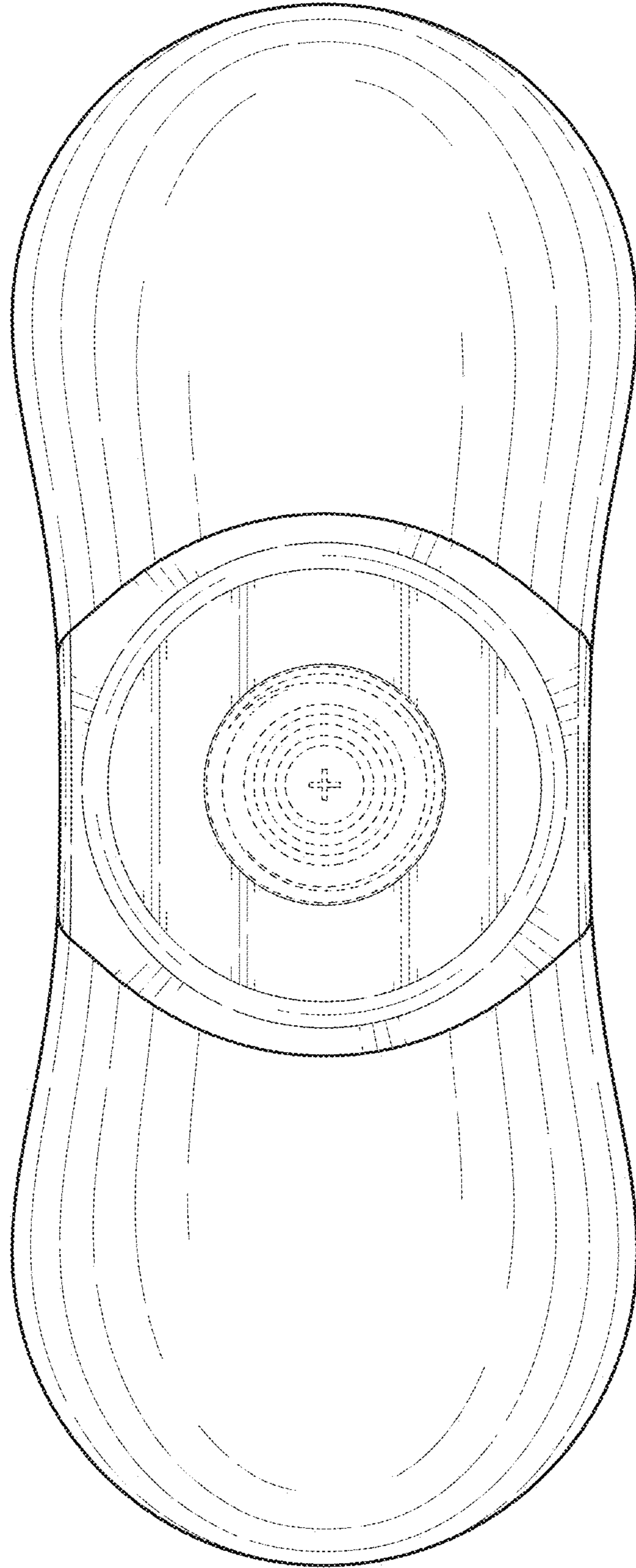


FIG. 6

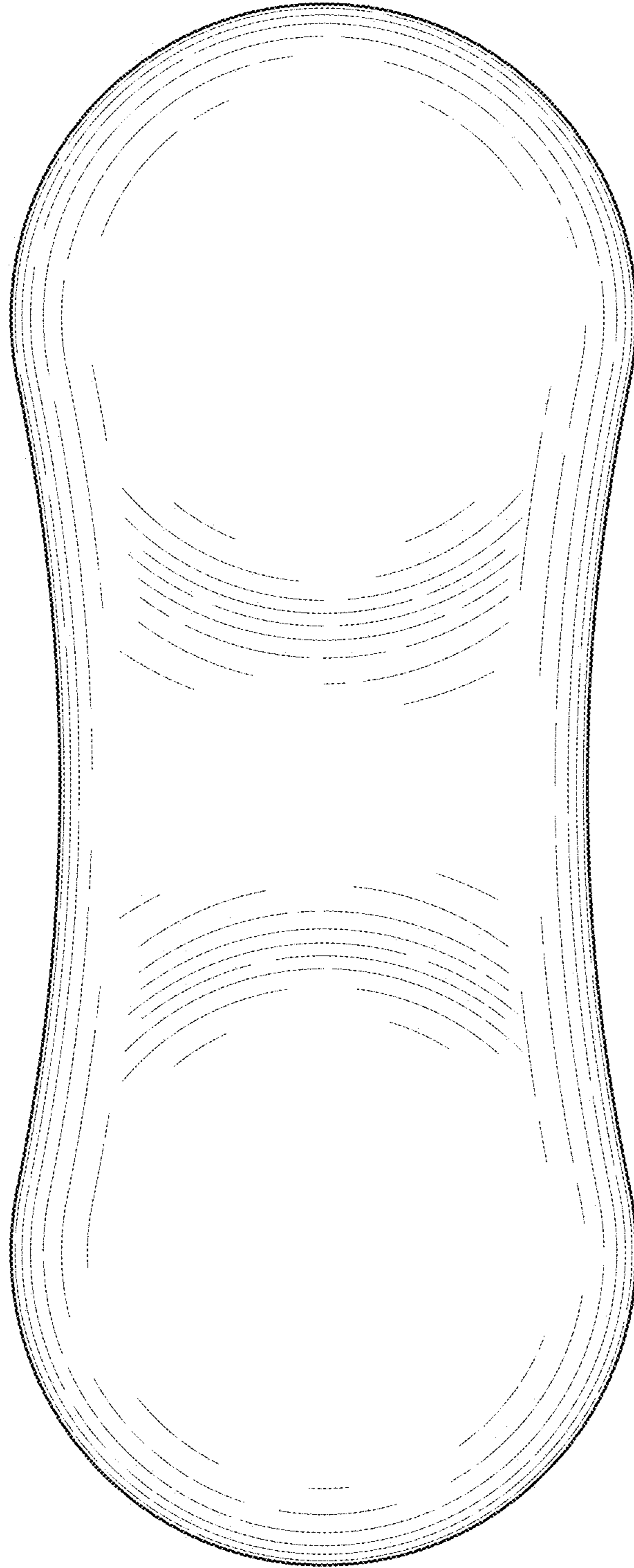


FIG. 7

UNITED STATES PATENT AND TRADEMARK OFFICE
CERTIFICATE OF CORRECTION

PATENT NO. : D875,268 S
APPLICATION NO. : 29/662971
DATED : February 11, 2020
INVENTOR(S) : Smith et al.

Page 1 of 1

It is certified that error appears in the above-identified patent and that said Letters Patent is hereby corrected as shown below:

On the Title Page

Item (72) Inventors, should read:

--(72) Inventors: Ryan Smith, Dixon, IL (US);
Jenny McLaughlin, Amboy, IL (US);
Fivetiger Li, Zhejiang, China (CN)--.

Signed and Sealed this
Twenty-first Day of March, 2023
Katherine Kelly Vidal

Katherine Kelly Vidal
Director of the United States Patent and Trademark Office