



US00D875266S

(12) **United States Design Patent**
Qiu

(10) **Patent No.:** **US D875,266 S**

(45) **Date of Patent:** **** Feb. 11, 2020**

(54) **MOVABLE BAREFOOT MASSAGE GRABBING BAR RACK**

(71) Applicant: **Qinglin Qiu**, Broomfield, CO (US)

(72) Inventor: **Qinglin Qiu**, Broomfield, CO (US)

(**) Term: **15 Years**

(21) Appl. No.: **29/667,439**

(22) Filed: **Oct. 22, 2018**

(51) **LOC (12) Cl.** **28-03**

(52) **U.S. Cl.**
USPC **D24/213**

(58) **Field of Classification Search**
USPC 211/123, 182, 183, 196, 207; 482/23, 24, 482/25, 34, 37, 38, 143; D21/662, 673, D21/679, 685, 691, 694, 777, 797; D24/213; 280/79.3; 248/163.1, 165
CPC A63B 23/1227; A63B 21/026; A63B 21/0414; A63B 1/00; A63B 21/00047; A63B 2208/029; A63B 3/00; A63B 71/023; A63B 9/00
See application file for complete search history.

(56) **References Cited**

U.S. PATENT DOCUMENTS

- 33,583 A * 10/1861 Hanlon A63B 7/02 482/24
- 850,658 A * 4/1907 Koonce A47B 43/04 312/6
- 2,071,132 A * 2/1937 Loucks A47G 25/0664 211/204
- 2,120,511 A * 6/1938 Risdon A47F 7/24 211/85.3
- 2,262,761 A * 11/1941 Gay A63B 23/00 482/24
- 2,438,324 A * 3/1948 Pfeffer D06F 57/06 211/206

- 2,533,324 A * 12/1950 Mendle A47G 25/0664 280/79.3
- 2,550,793 A * 5/1951 Ferriera G10G 5/00 248/165
- 2,585,523 A * 2/1952 Wellman F24B 1/193 211/182
- 2,793,764 A * 5/1957 Stork A47F 7/24 211/204
- D189,011 S * 10/1960 Berne D24/188
- 3,132,835 A * 5/1964 Drabert A47C 16/025 D24/213
- 3,303,938 A * 2/1967 Solomon A47F 7/24 211/182
- 3,503,525 A * 3/1970 Loebner A47F 5/13 211/195

(Continued)

Primary Examiner — Cynthia Ramirez
Assistant Examiner — Michael A Maharajh
(74) *Attorney, Agent, or Firm* — Michael D. Eisenberg

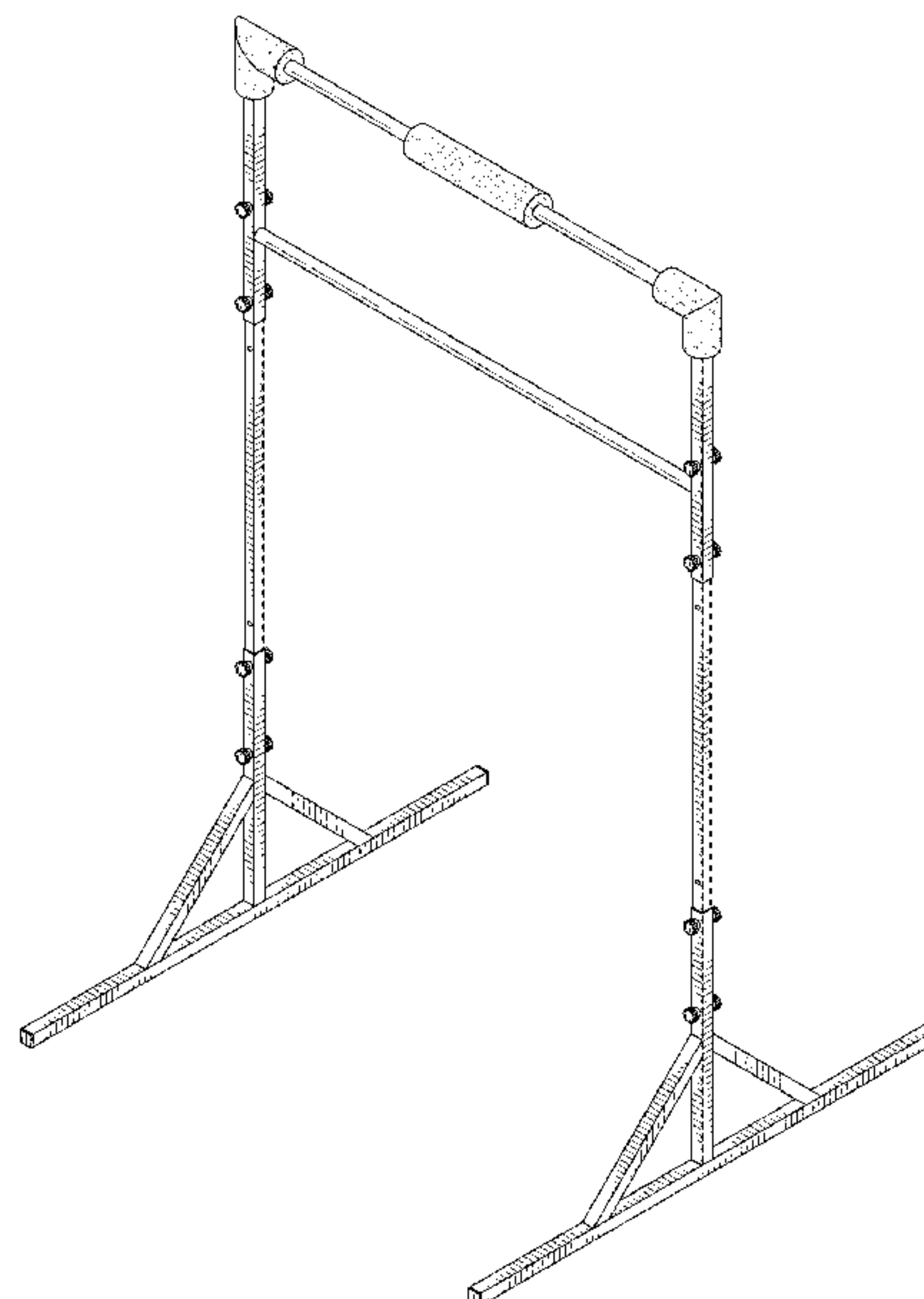
(57) **CLAIM**

The ornamental design for a moveable barefoot massage grabbing bar rack, as shown and described.

DESCRIPTION

FIG. 1 is a perspective view of a moveable barefoot massage grabbing bar rack showing my new design;
FIG. 2 is a front view of the moveable barefoot massage grabbing bar rack;
FIG. 3 is a left side view of the moveable barefoot massage grabbing bar rack;
FIG. 4 is a top view of the moveable barefoot massage grabbing bar rack;
FIG. 5 is a bottom view of the moveable barefoot massage grabbing bar rack;
FIG. 6 is a right side view of the moveable barefoot massage grabbing bar rack; and,
FIG. 7 is a rear view of the moveable barefoot massage grabbing bar rack.

1 Claim, 4 Drawing Sheets



(56)

References Cited

U.S. PATENT DOCUMENTS

3,944,219 A * 3/1976 LoPresti A63B 1/00
211/123
4,032,165 A * 6/1977 Russell B62B 3/10
280/79.3
4,129,916 A * 12/1978 Schlesinger A63C 19/10
211/182
4,241,914 A * 12/1980 Bushnell A63B 1/00
482/130
4,326,726 A * 4/1982 Dunchock B62B 3/108
211/182
4,415,150 A * 11/1983 Iezza A63B 3/00
211/182
4,632,344 A * 12/1986 Lang F16M 11/046
248/165
4,684,091 A * 8/1987 Moreschi F16M 11/046
211/182
4,728,066 A * 3/1988 Lang F16M 11/046
248/165
4,778,066 A * 10/1988 Stjernberg A47B 55/02
211/181.1
5,156,580 A * 10/1992 Holland A63B 1/00
482/38
D355,005 S * 1/1995 Voohanel, Jr. D21/691
5,389,055 A * 2/1995 Gangloff A63B 1/005
482/38
5,501,647 A * 3/1996 Snyder A63B 1/00
482/38
5,536,222 A * 7/1996 Banda A63B 21/078
482/38
5,617,962 A * 4/1997 Chen A47G 25/0664
211/207
D381,715 S * 7/1997 Reeder D21/691
5,660,637 A * 8/1997 Dodge B05B 13/0285
118/500
5,718,344 A * 2/1998 Joldeson A47F 5/13
211/182
6,405,884 B1 * 6/2002 Dion A47B 47/02
211/182
D487,124 S * 2/2004 Toniolo D21/691
D525,668 S * 7/2006 Payne D21/691
D551,306 S * 9/2007 Rogers D21/694
D554,209 S * 10/2007 Loucks D21/691
D617,400 S * 6/2010 Hetzel D21/691

D633,962 S * 3/2011 Stacey D21/691
8,021,273 B2 * 9/2011 Kopp A63B 1/00
482/35
D664,624 S * 7/2012 Orsulak D21/826
8,328,029 B1 * 12/2012 Binsfeld B66F 7/02
187/240
8,376,291 B1 * 2/2013 Groves B25H 1/06
248/165
D686,286 S * 7/2013 Orakwusi D21/679
8,936,166 B2 * 1/2015 Hornsby A47G 25/0685
211/182
D744,663 S * 12/2015 Holland D24/211
D807,447 S * 1/2018 Meredith D21/691
D816,173 S * 4/2018 Jackson D21/691
D843,520 S * 3/2019 Thompson D21/691
2002/0153339 A1 * 10/2002 Carletti G09F 15/0068
211/189
2004/0129661 A1 * 7/2004 Segall A47G 25/0664
211/206
2005/0009671 A1 * 1/2005 Hummer, Jr. A63B 71/0036
482/94
2007/0163974 A1 * 7/2007 Lai A47G 25/0664
211/85.3
2007/0287599 A1 * 12/2007 Chartrand A63B 69/00
482/23
2009/0176621 A1 * 7/2009 Kopp A63B 1/00
482/25
2010/0243587 A1 * 9/2010 Romeiro A47F 5/0081
211/59.2
2011/0071004 A1 * 3/2011 Murphy A63B 21/068
482/23
2012/0115683 A1 * 5/2012 Ross A63B 21/1636
482/38
2013/0225372 A1 * 8/2013 Rochford A63B 1/00
482/38
2013/0345026 A1 * 12/2013 Eberflus A63B 1/00
482/38
2015/0196119 A1 * 7/2015 Henniger A63B 1/00
211/85.7
2016/0023035 A1 * 1/2016 Meyer A63B 1/00
482/38
2017/0095402 A1 * 4/2017 Qiu A61H 37/00
2017/0216657 A1 * 8/2017 Hoobler A61G 5/02
2018/0056116 A1 * 3/2018 Le Nguyen A63B 21/4035

* cited by examiner

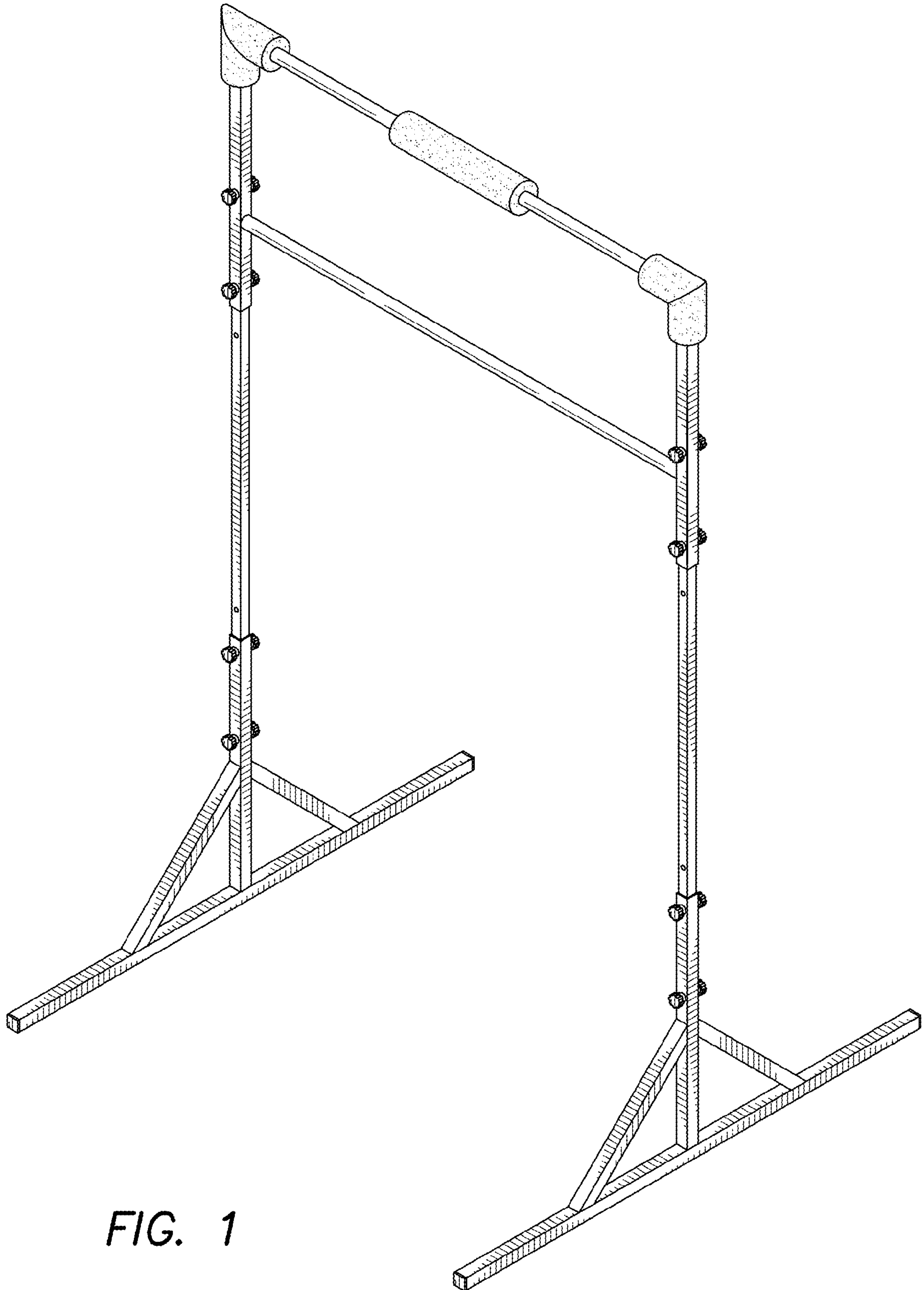


FIG. 1

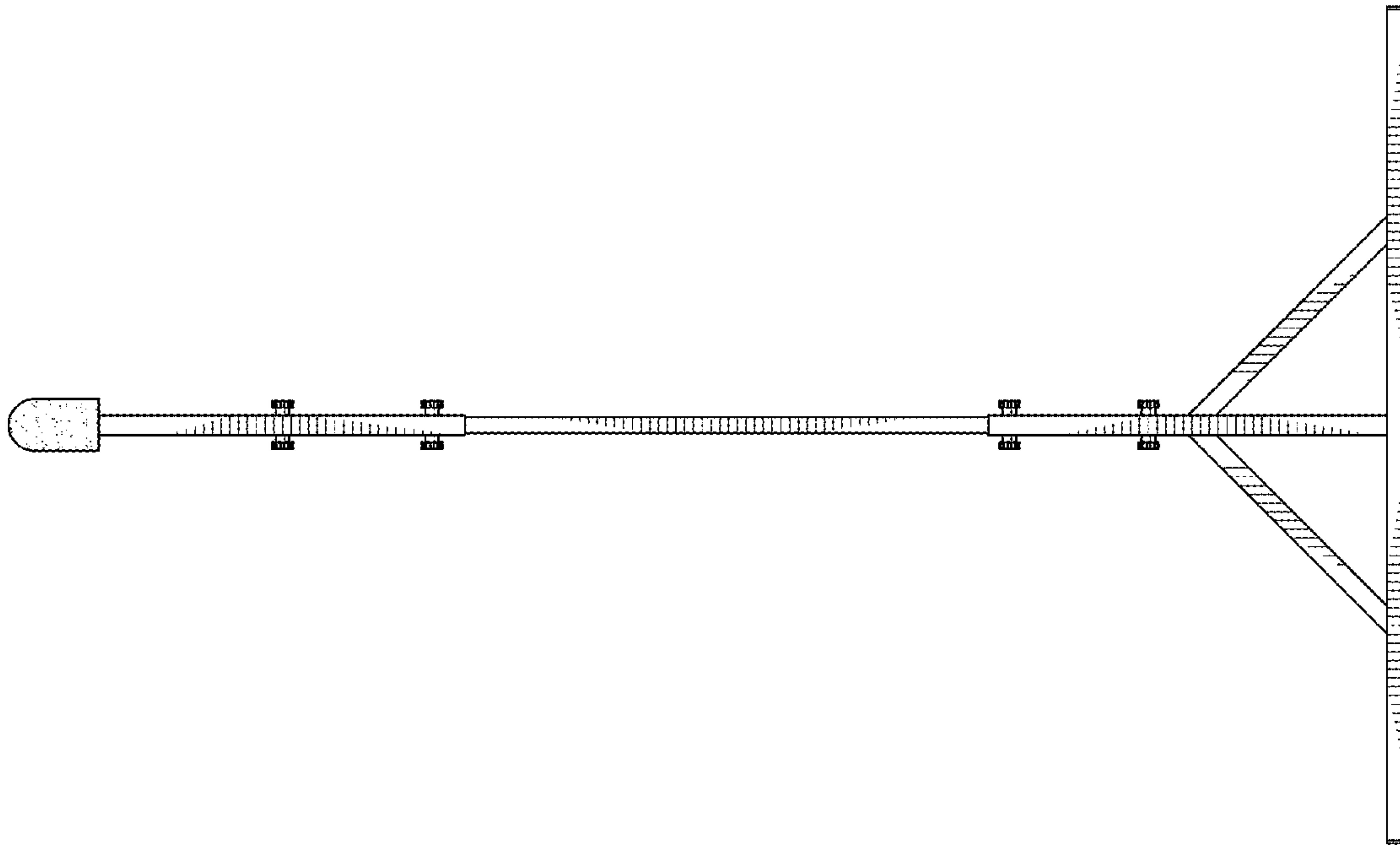


FIG. 3

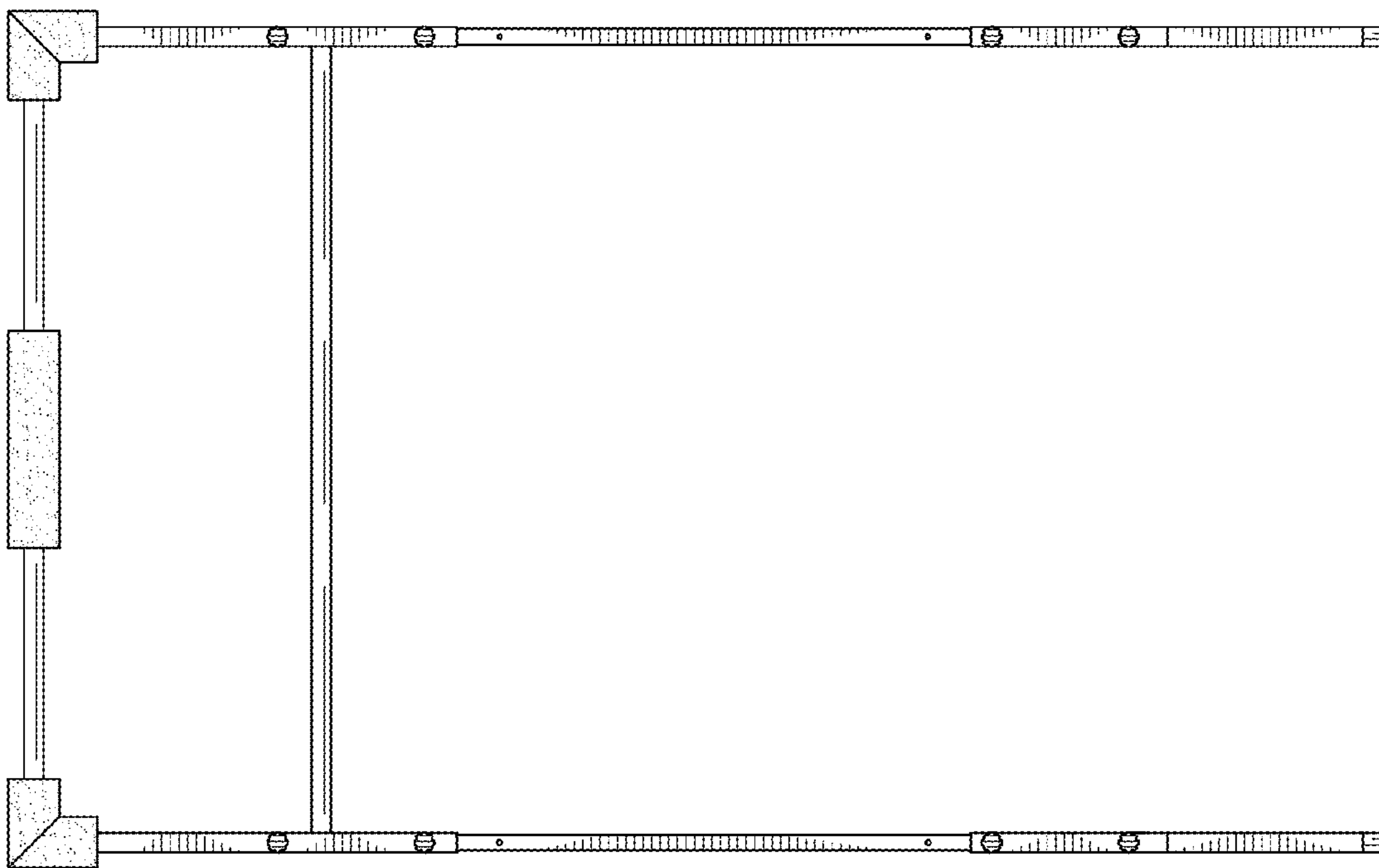


FIG. 2

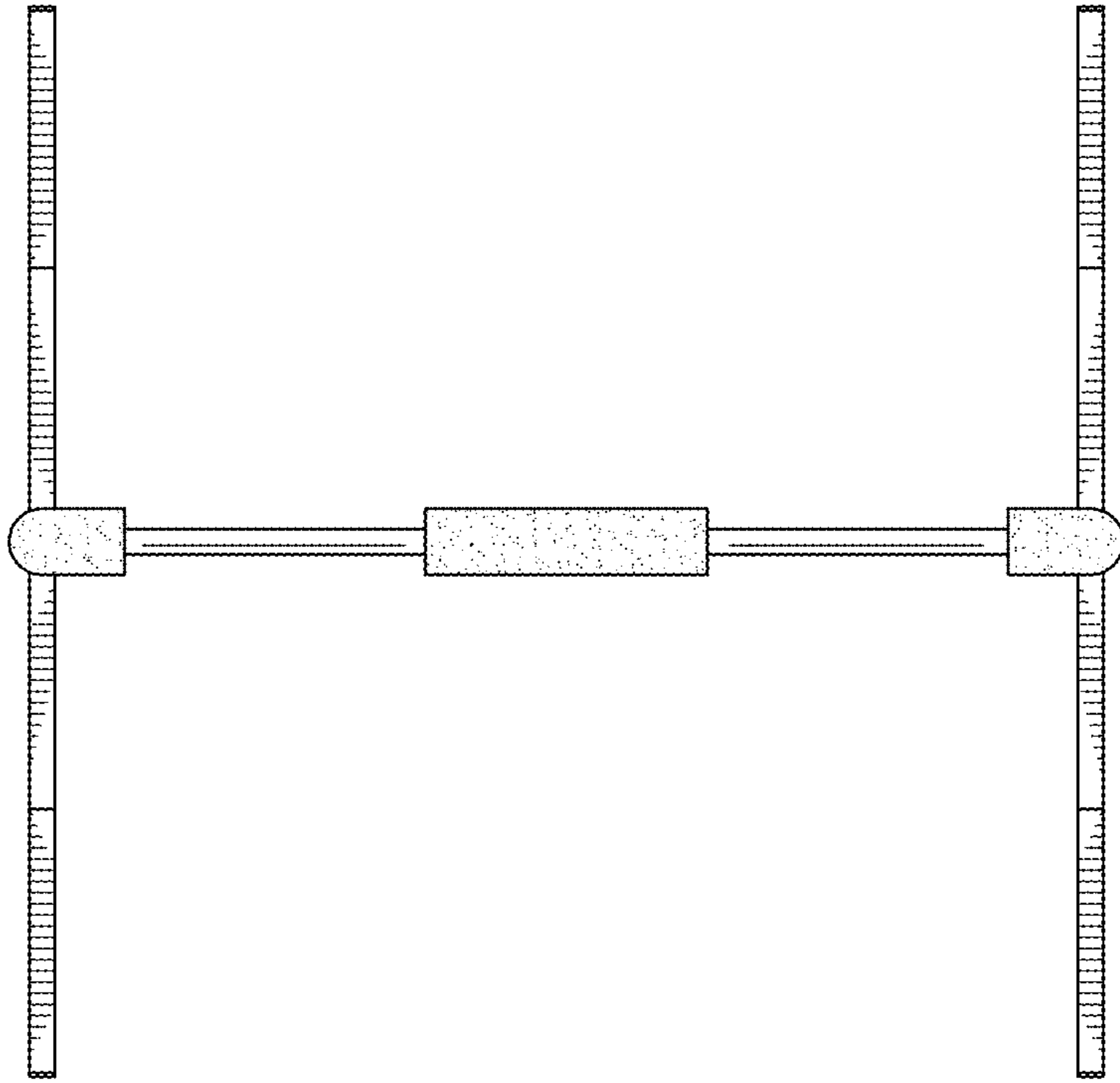
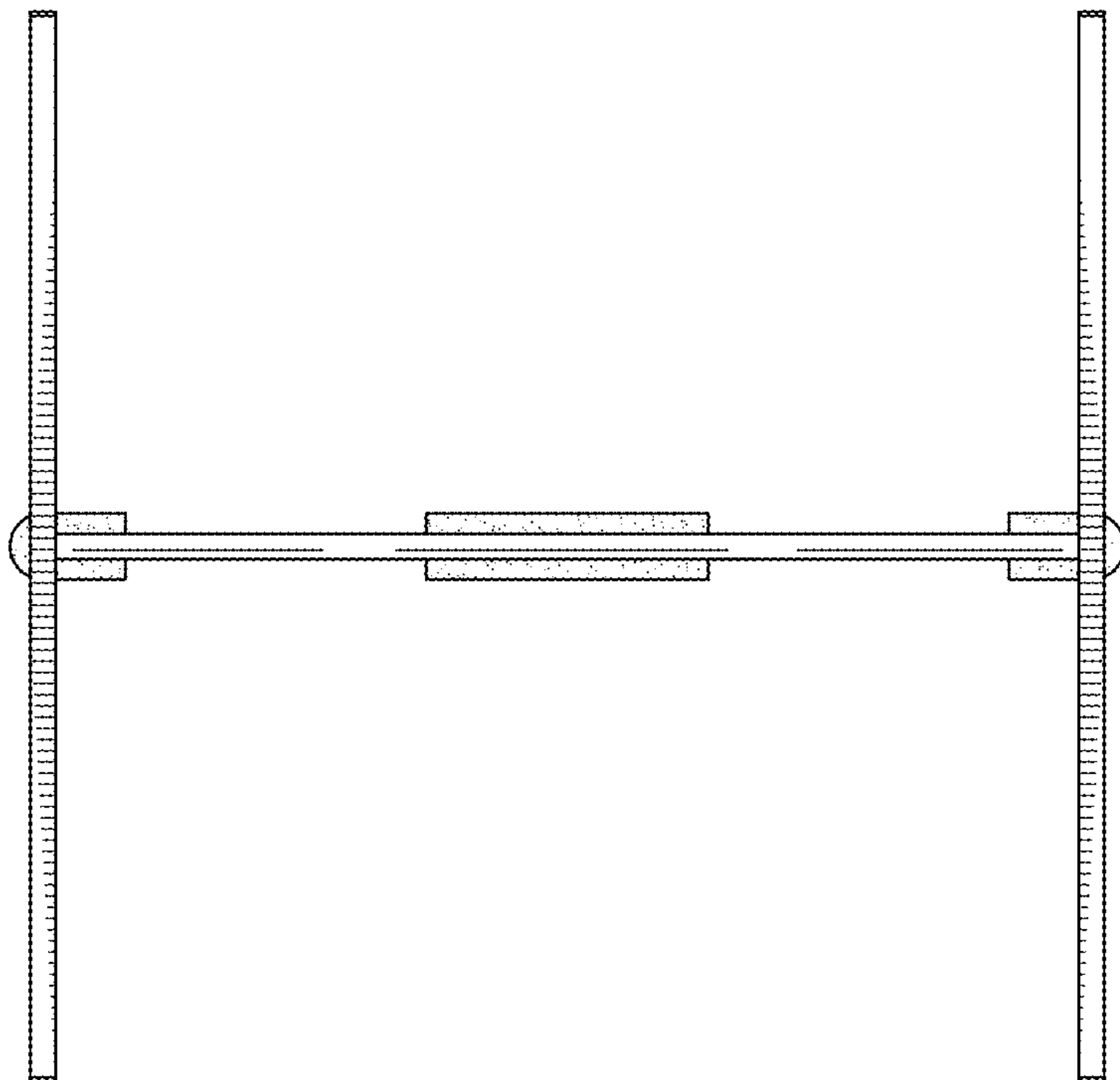


FIG. 4

FIG. 5



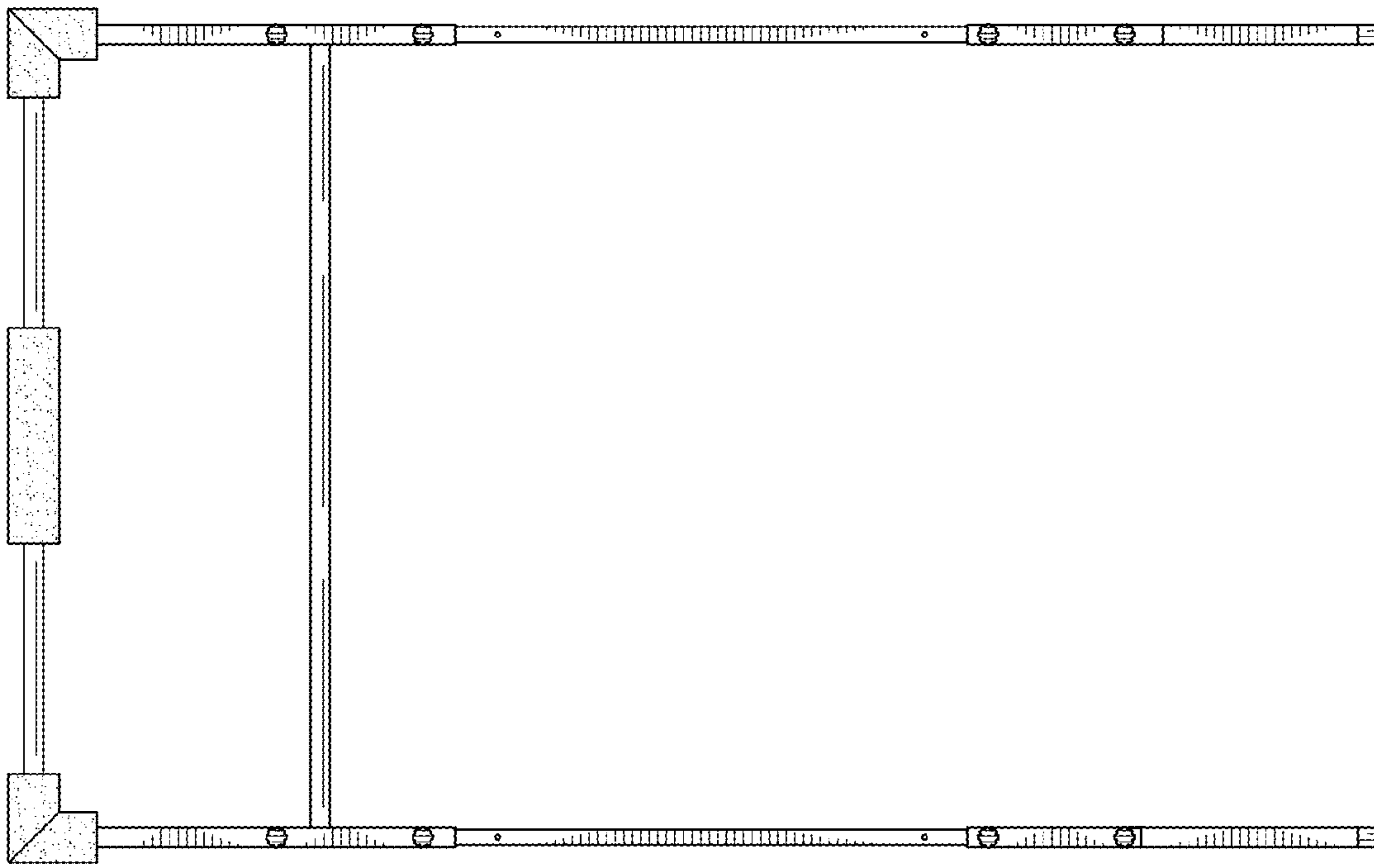


FIG. 7

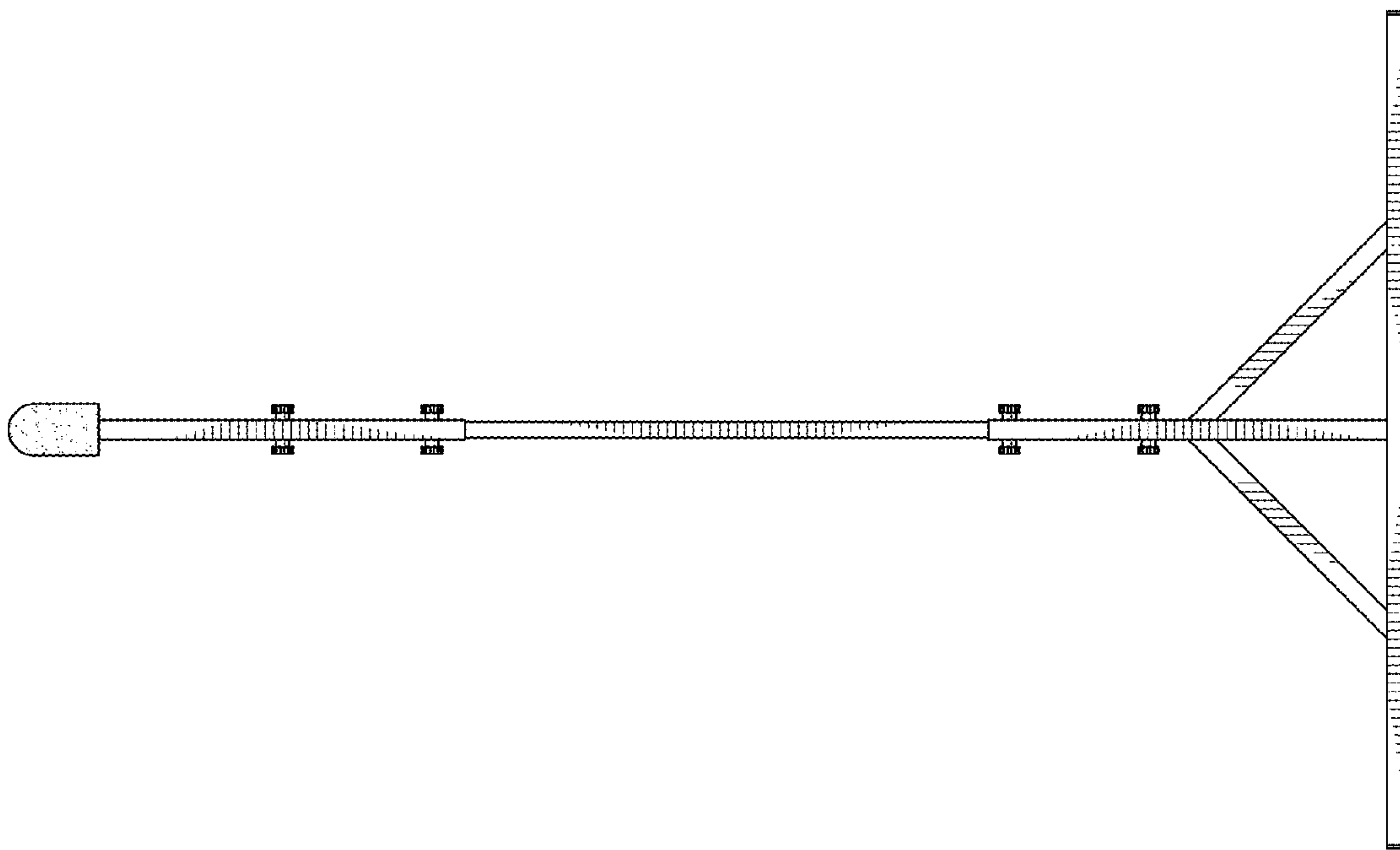


FIG. 6