



US00D875263S

(12) **United States Design Patent** (10) **Patent No.:** **US D875,263 S**
Sandberg et al. (45) **Date of Patent:** **** *Feb. 11, 2020**

(54) **BASE FOR BABY BOTTLE**

(56) **References Cited**

(71) Applicant: **KONINKLIJKE PHILIPS N.V.**,
Eindhoven (NL)
(72) Inventors: **Emma Sandberg**, Shanghai (CN);
Laurens Isaac Masee, Amstelveen
(NL); **Hanne Maarit Österberg**,
Amsterdam (NL); **Nina Christine**
Warburton, The Hague (NL)

U.S. PATENT DOCUMENTS

D138,593 S * 8/1944 Gulick D24/199
D523,150 S * 6/2006 Horn D24/199
D528,660 S * 9/2006 Lornage D24/197
D707,834 S * 6/2014 Hotchi D24/199
D817,506 S * 5/2018 Clores D24/197

* cited by examiner

Primary Examiner — Eliza Z Bennett-Hattan

(73) Assignee: **KONINKLIJKE PHILIPS N.V.**,
Eindhoven (NL)

(57) **CLAIM**

(*) Notice: This patent is subject to a terminal dis-
claimer.

The ornamental design for the base for baby bottle, as shown
and described.

(**) Term: **15 Years**

DESCRIPTION

(21) Appl. No.: **35/503,806**

1. Base for Baby Bottle
1.1 is a front perspective view of a base for a baby bottle
showing our new design;
1.2 is a front plan view thereof;
1.3 is a rear plan view thereof;
1.4 is a right plan view thereof;
1.5 is a left plan view thereof;
1.6 is a top plan view thereof; and
1.7 is a bottom plan view thereof.

(22) Filed: **Apr. 11, 2017**

(80) **Hague Agreement Data**

Int. Filing Date: **Apr. 11, 2017**
Int. Reg. No.: **DM/096140**
Int. Reg. Date: **Apr. 11, 2017**
Int. Reg. Pub. Date: **Oct. 13, 2017**

The broken line showing of the base for baby bottle in views
1.2-1.5 are included for the purpose of illustrating a baby
bottle as unclaimed portions of the base for baby bottle and
form no part of the claimed design.

(30) **Foreign Application Priority Data**

Dec. 26, 2016 (EM) 003541028-0002

The broken line showing of the base for baby bottle in views
1.1, 1.6 and 1.7 are included for the purpose of illustrating
unclaimed portions of the base for baby bottle and form no
part of the claimed design.

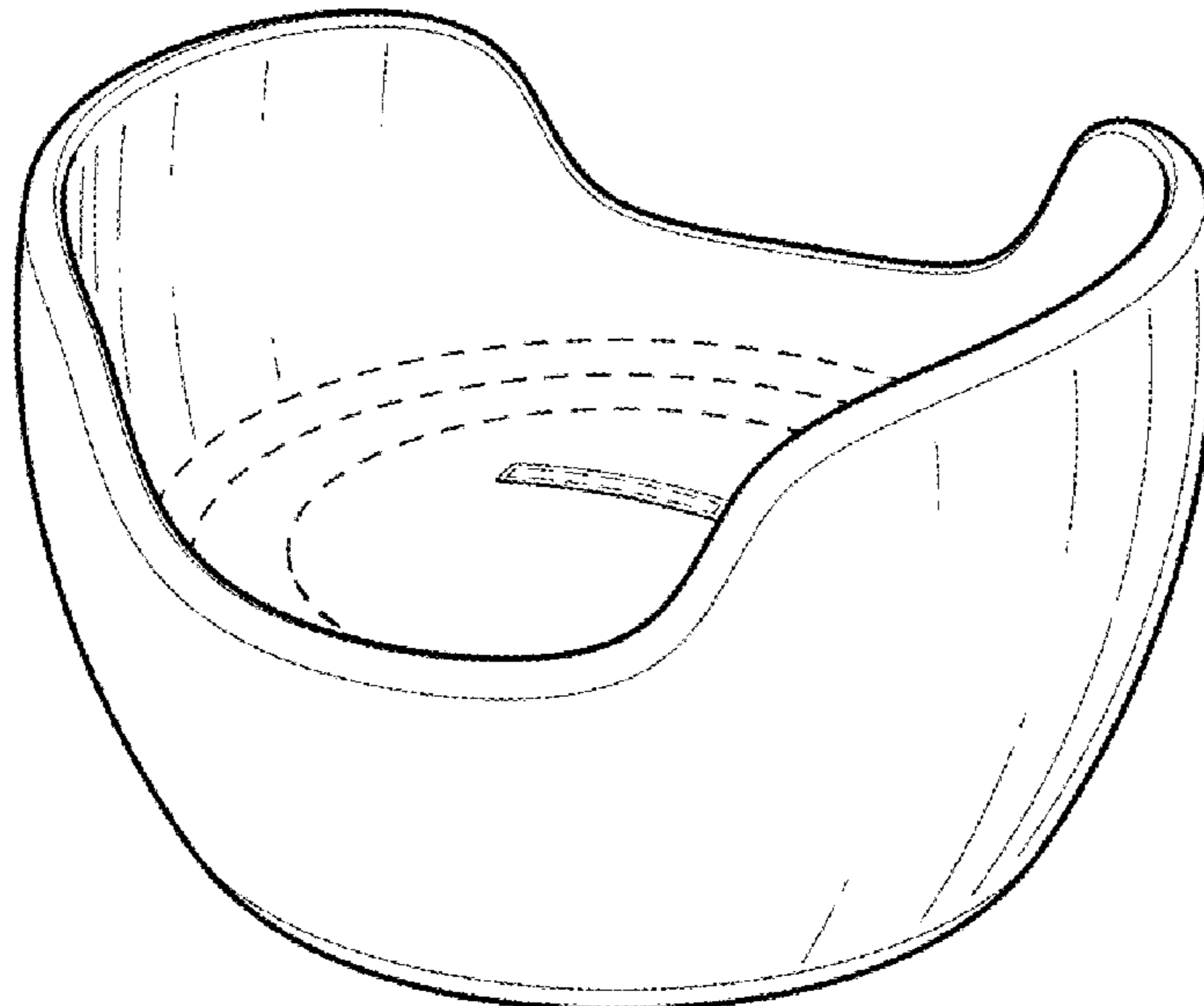
(51) **LOC (12) Cl.** **07-01**

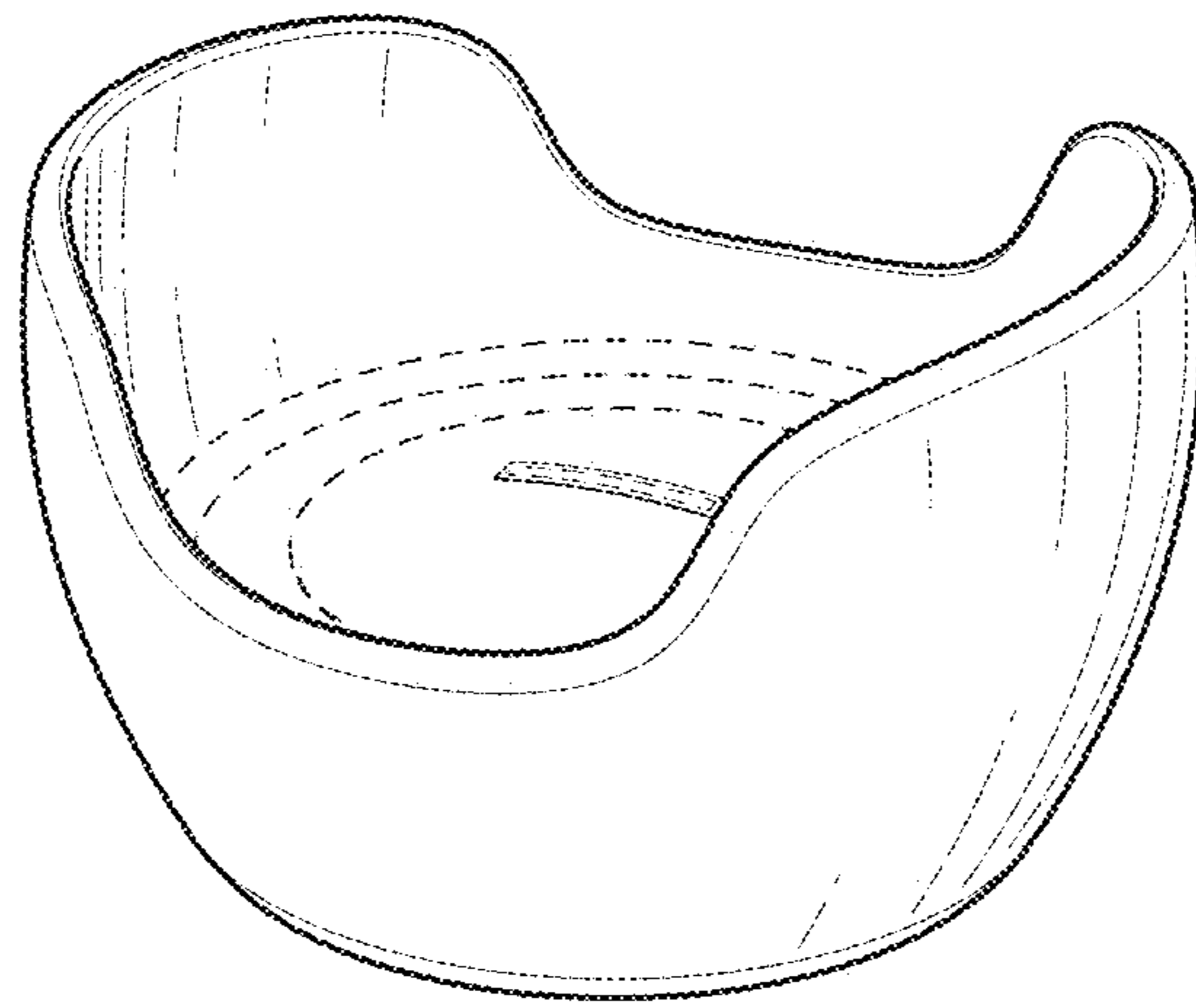
(52) **U.S. Cl.**
USPC **D24/199**

The dot-dot-dashed broken line showing of the base for baby
bottle in view 1.7 is included for the purpose of showing the
boundary of claimed subject matter extending up to but not
including the dot-dot-dashed broken line.

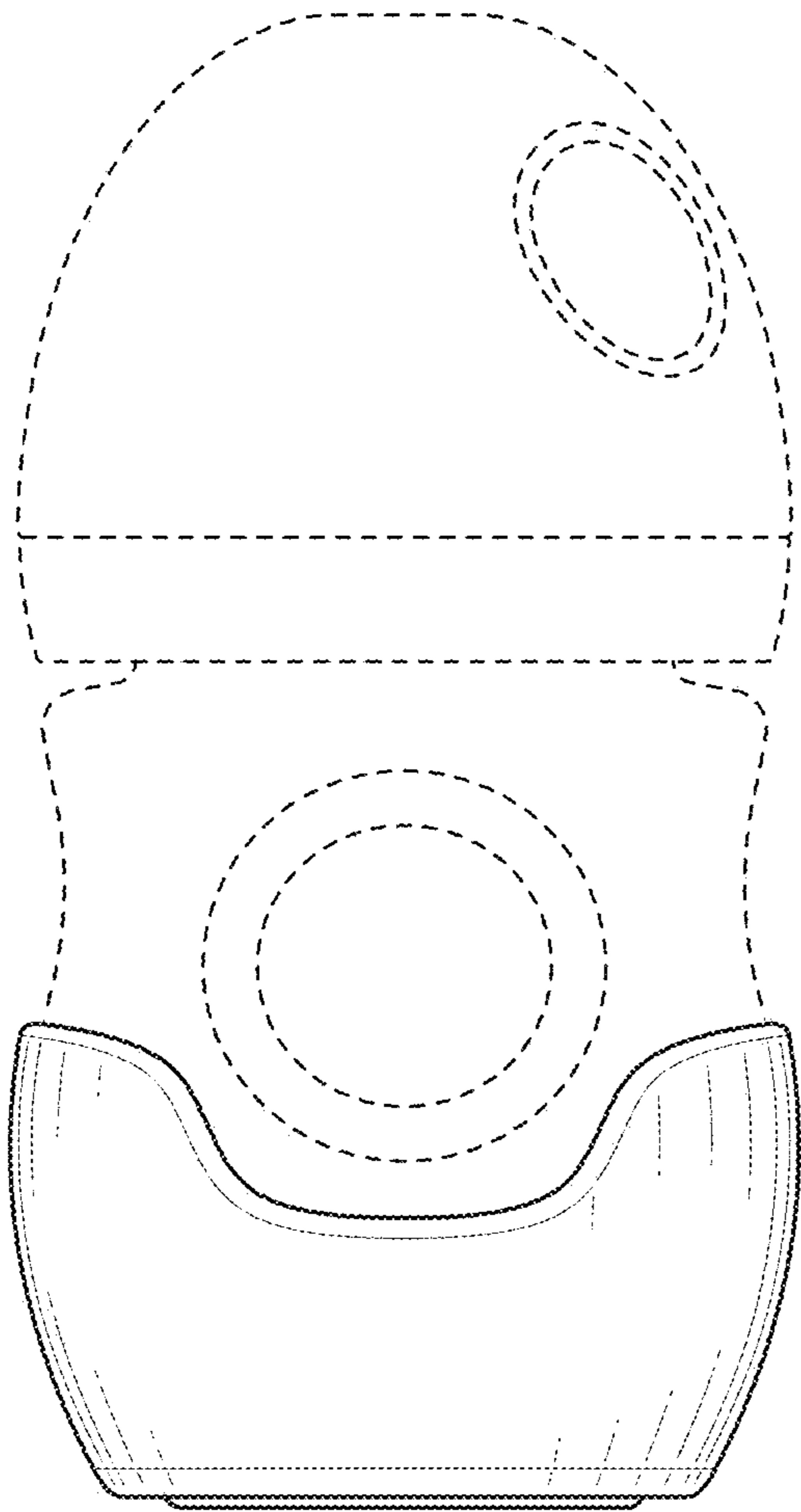
(58) **Field of Classification Search**
USPC D24/199, 197; D7/311, 326, 403, 386
CPC A47J 36/24; A47J 36/2411; A61J 9/08
See application file for complete search history.

1 Claim, 4 Drawing Sheets

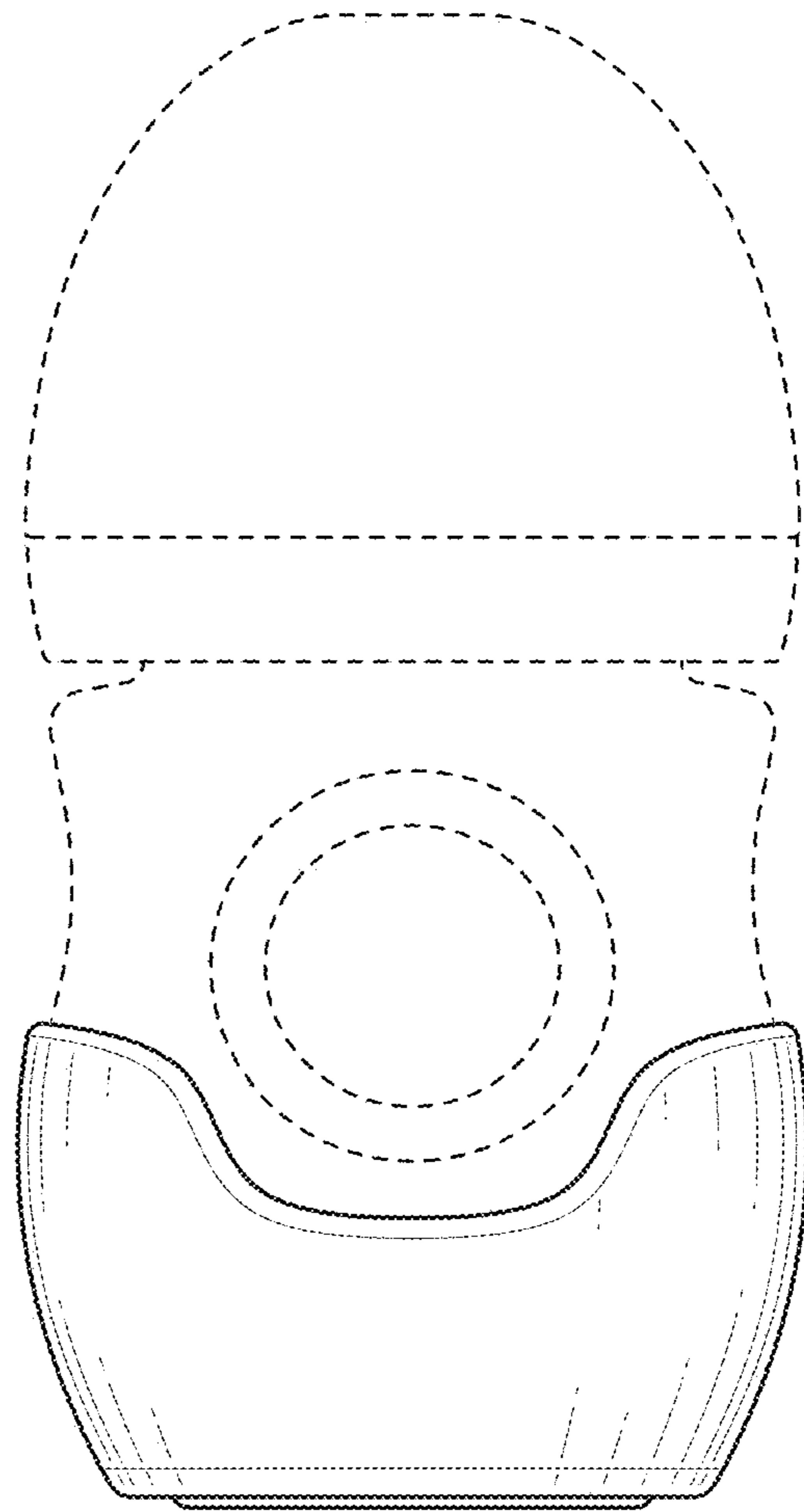




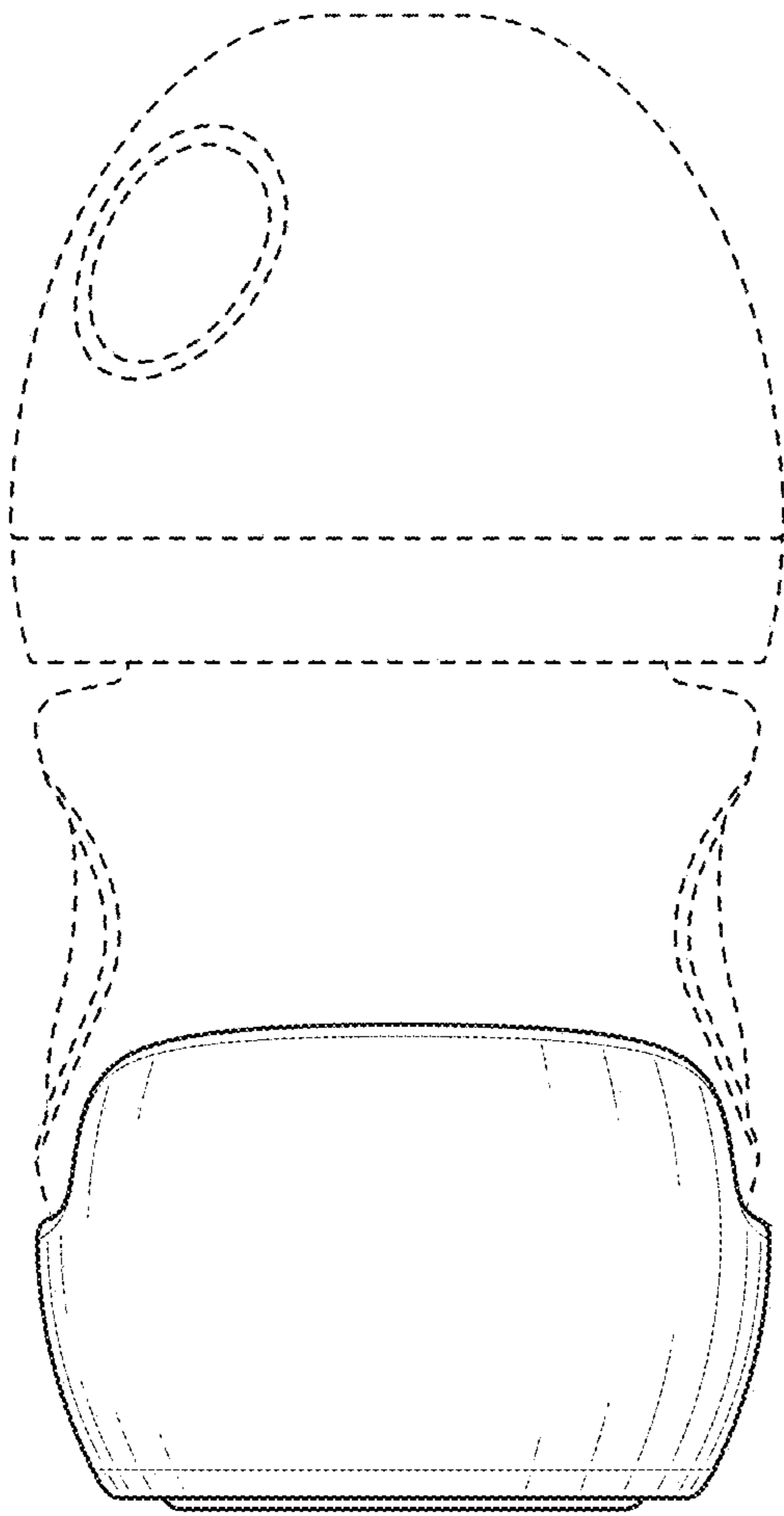
1.1



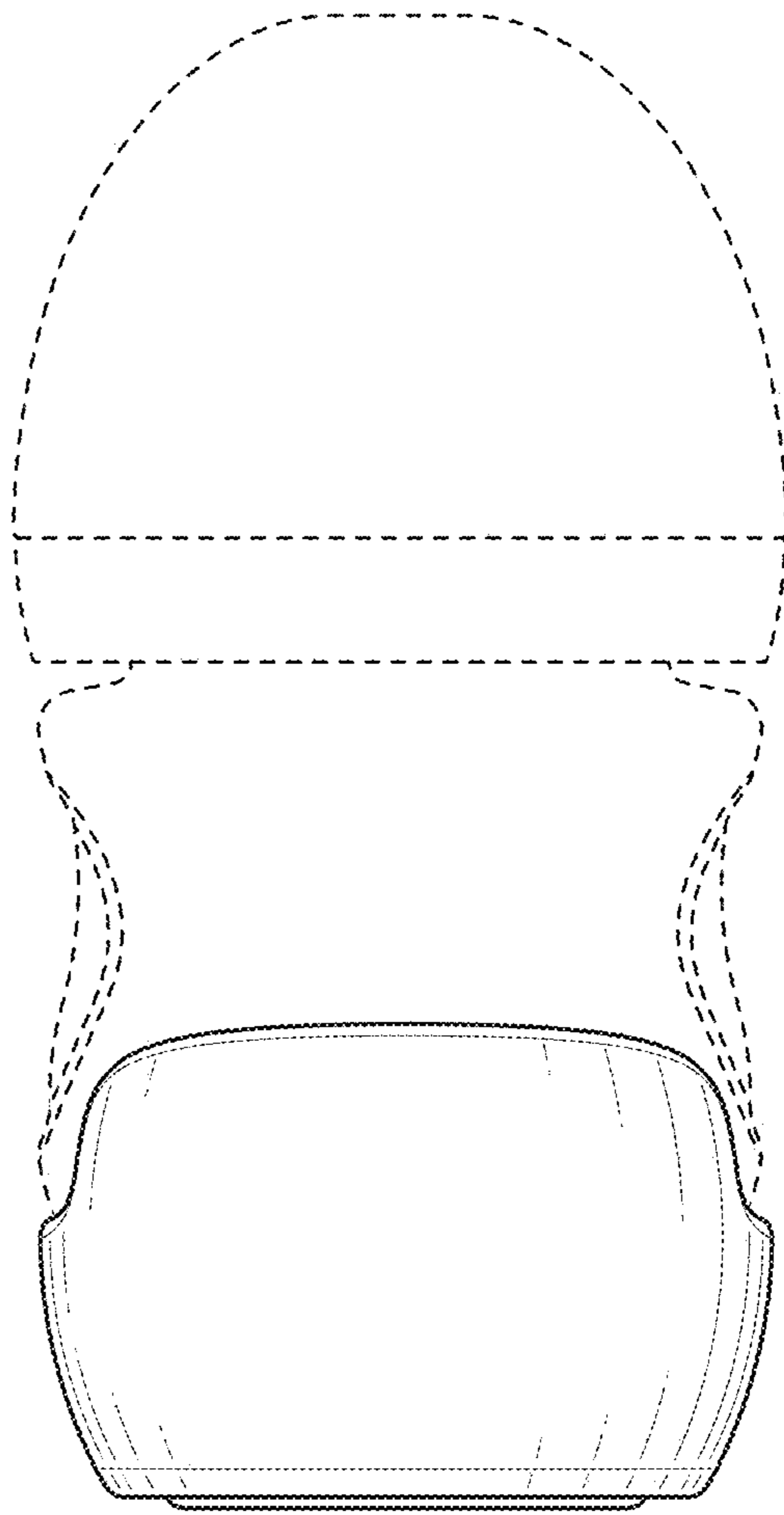
1.2



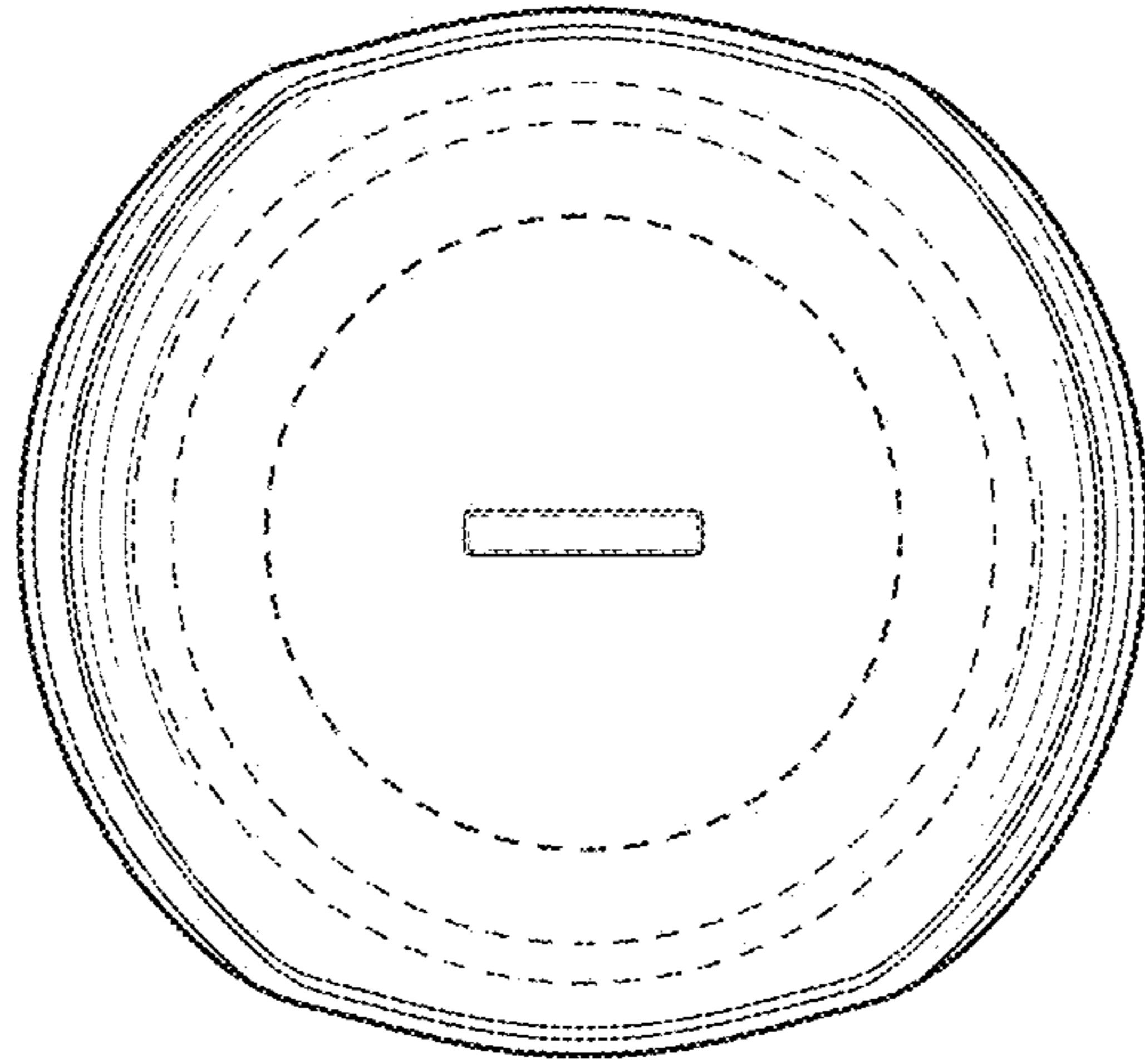
1.3



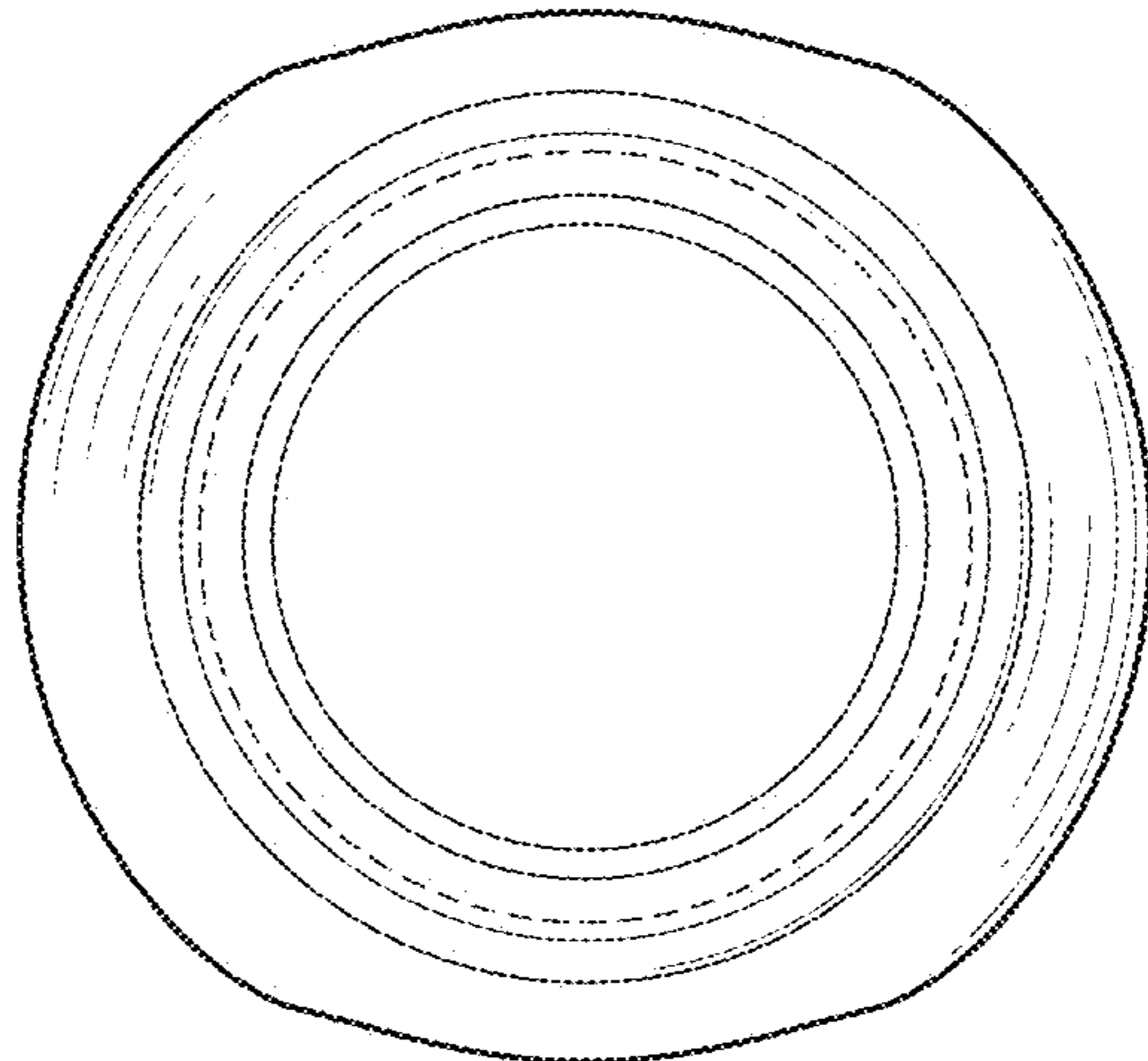
1.4



1.5



1.6



1.7