



US00D875258S

(12) **United States Design Patent** (10) **Patent No.:** **US D875,258 S**  
**Berkely** (45) **Date of Patent:** **\*\* Feb. 11, 2020**

- (54) **DENTAL AIR/WATER SYRINGE**
- (71) Applicant: **Donovan Winston Berkely**, Irvine, CA (US)
- (72) Inventor: **Donovan Winston Berkely**, Irvine, CA (US)
- (\*\*) Term: **15 Years**
- (21) Appl. No.: **29/664,288**
- (22) Filed: **Sep. 24, 2018**

4,592,728 A 6/1986 Davis  
 4,810,194 A 3/1989 Snedden  
 4,975,058 A 12/1990 Woodward  
 D316,600 S \* 4/1991 Austin, Jr. .... D24/113  
 (Continued)

**FOREIGN PATENT DOCUMENTS**

WO WO 00/35370 6/2000  
 WO WO 2000/33762 6/2000  
 (Continued)

**OTHER PUBLICATIONS**

Luzzani Dental, Mini Mate, dated at least Feb. 25, 2016, in 1 page.  
 (Continued)

*Primary Examiner* — Wan Laymon  
 (74) *Attorney, Agent, or Firm* — Knobbe, Martens, Olson & Bear, LLP

**Related U.S. Application Data**

- (62) Division of application No. 29/583,896, filed on Nov. 9, 2016, now Pat. No. Des. 832,444.
- (51) **LOC (12) Cl.** ..... **24-02**
- (52) **U.S. Cl.**  
USPC ..... **D24/176**
- (58) **Field of Classification Search**  
USPC ..... D24/176–182, 152, 108, 112–114, 127  
CPC . A61C 17/0217; A61C 17/0202; A61C 17/02;  
A61C 17/0211; A61C 17/0214; A61C  
17/022; A61C 17/00; A61C 1/0061; A61C  
1/0076; A61C 1/052  
See application file for complete search history.

(57) **CLAIM**

The ornamental design for a dental air/water syringe, as shown and described.

**DESCRIPTION**

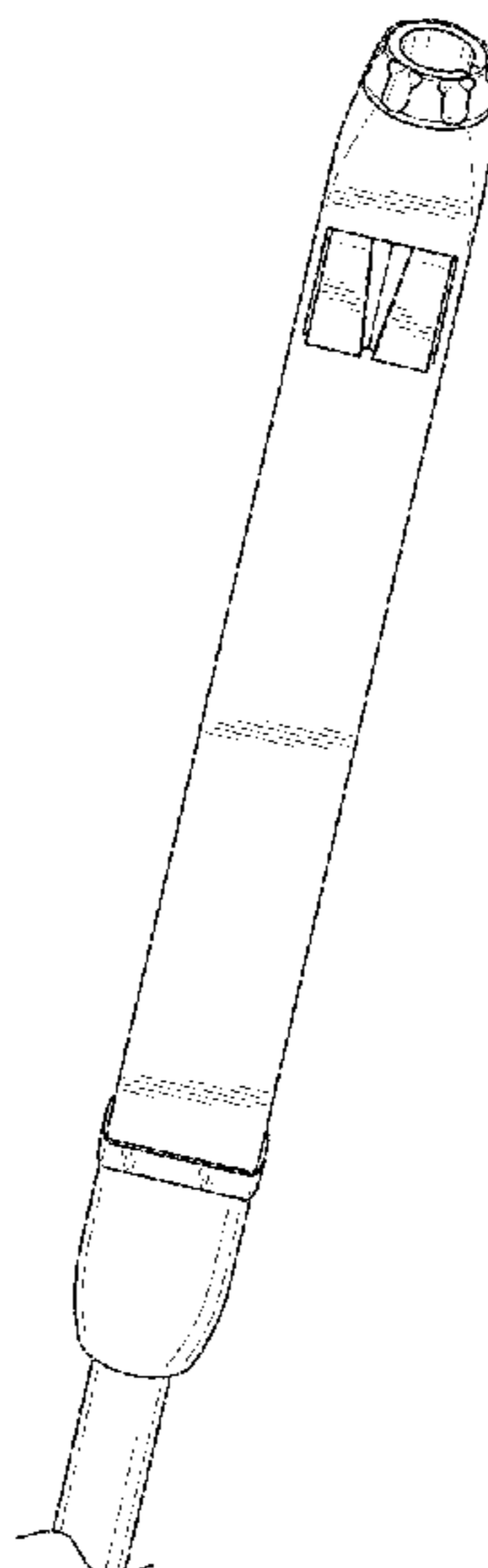
FIG. 1 is a perspective view of a dental air/water syringe showing my design;  
 FIG. 2 is a left-side elevation view thereof;  
 FIG. 3 is a right-side elevation view thereof;  
 FIG. 4 is a front elevation view thereof;  
 FIG. 5 is a rear elevation view thereof;  
 FIG. 6 is a top plan view thereof; and,  
 FIG. 7 is a bottom plan view thereof.  
 All features in phantom line are for the purpose of illustrating environmental structure and form no part of the claimed subject matter. Color and texture may or may not form part of the claimed design or designs without departing from the design disclosed.

(56) **References Cited**

**U.S. PATENT DOCUMENTS**

- 1,858,056 A 5/1932 Pieper
- 2,094,888 A 10/1937 Hooper
- 3,121,426 A 2/1964 Yoshida
- 3,375,823 A 4/1968 Pamplin
- 3,424,156 A 1/1969 Smith
- 3,698,088 A 10/1972 Austin, Jr.
- 3,874,083 A 4/1975 Buckley
- 4,026,025 A 5/1977 Hunt
- 4,248,589 A 2/1981 Lewis
- 4,515,564 A 5/1985 Lohn
- 4,522,597 A 6/1985 Gallant

**1 Claim, 3 Drawing Sheets**



(56)

References Cited

U.S. PATENT DOCUMENTS

5,045,055 A \* 9/1991 Gonser ..... A61C 17/0202  
137/454.2

5,049,071 A 9/1991 Davis et al.  
5,100,319 A 3/1992 Baum  
5,192,206 A 3/1993 Davis et al.  
5,204,004 A 4/1993 Johnston et al.  
5,230,624 A 7/1993 Wolf et al.  
5,236,356 A 8/1993 Davis et al.  
5,254,103 A 10/1993 Heuillon  
5,306,146 A 4/1994 Davis et al.  
5,322,440 A 6/1994 Steele  
5,336,202 A 8/1994 Bailly et al.  
5,342,195 A 8/1994 Davis et al.  
D352,354 S 11/1994 Davis et al.  
5,376,003 A \* 12/1994 Rizkalla ..... A61C 17/0202  
433/116

5,391,145 A 2/1995 Dorsey, III  
5,460,619 A 10/1995 Esrock  
5,468,148 A 11/1995 Ricks  
5,489,205 A 2/1996 Davis et al.  
5,554,025 A 9/1996 Kinsel  
5,591,389 A 1/1997 Esrock  
5,616,028 A 4/1997 Hafele et al.  
5,658,144 A 8/1997 Tinder et al.  
5,772,433 A 6/1998 Esrock  
5,833,456 A 11/1998 Davis et al.  
5,848,893 A 12/1998 Martin et al.  
5,882,194 A 3/1999 Davis et al.  
5,882,197 A 3/1999 Davis et al.  
D409,305 S 5/1999 Martin et al.  
5,899,692 A 5/1999 Davis et al.  
5,908,296 A 6/1999 Kipke et al.  
5,927,975 A 7/1999 Esrock  
5,961,326 A 10/1999 Johnston et al.  
6,048,200 A 4/2000 Martin et al.  
6,079,979 A 6/2000 Riitano  
6,093,020 A 7/2000 Pond et al.  
6,113,391 A 9/2000 Esrock  
6,149,429 A 11/2000 Bukowski et al.

6,159,007 A 12/2000 Sorensen  
6,238,211 B1 5/2001 Esrock  
6,250,921 B1 6/2001 Esrock  
RE37,324 E 8/2001 Esrock  
6,283,750 B1 9/2001 Esrock  
6,319,001 B1 11/2001 Esrock  
6,322,361 B1 11/2001 Esrock  
6,382,970 B1 5/2002 Foster  
6,390,815 B1 5/2002 Pond  
6,419,485 B1 7/2002 Pond  
6,464,498 B1 10/2002 Pond  
6,500,000 B1 12/2002 Segal  
6,533,578 B2 3/2003 Segal  
6,824,385 B1 \* 11/2004 Bain ..... A61C 17/0202  
433/80

7,025,755 B2 4/2006 Epstein  
7,431,587 B2 10/2008 Pond  
7,993,135 B2 8/2011 Nesbitt et al.  
8,662,470 B2 3/2014 Klecker et al.  
D832,443 S 10/2018 Berkely  
D832,444 S 10/2018 Berkely  
D841,817 S 2/2019 Berkely  
D842,480 S 3/2019 Berkely  
2001/0041321 A1 11/2001 Segal  
2004/0224281 A1 11/2004 Bain et al.  
2005/0089816 A1 4/2005 Krisch  
2006/0024640 A1 2/2006 Pond et al.  
2011/0275026 A1 11/2011 Smith  
2013/0260333 A1 10/2013 Berkely  
2013/0316299 A1 11/2013 Berkely  
2015/0050613 A1 2/2015 Berkely

FOREIGN PATENT DOCUMENTS

WO WO 2013/151961 10/2013  
WO WO 2015/023799 2/2015

OTHER PUBLICATIONS

Luzzani Dental, Mini Light, dated at least Feb. 25, 2016, in 1 page.

\* cited by examiner

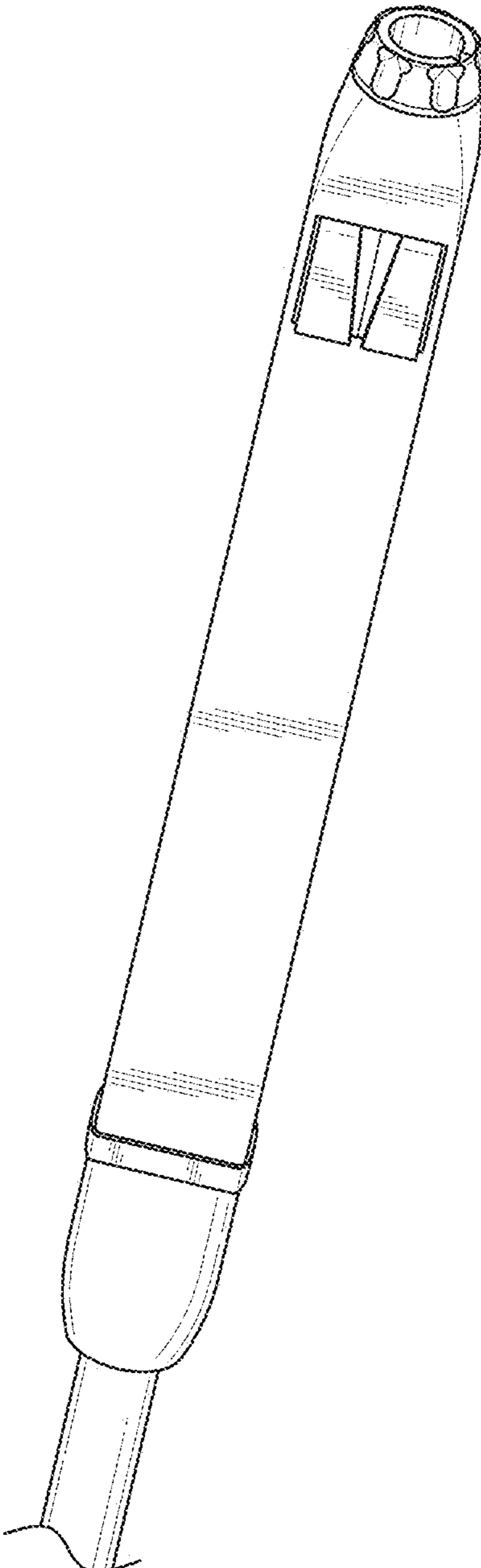


FIG. 1

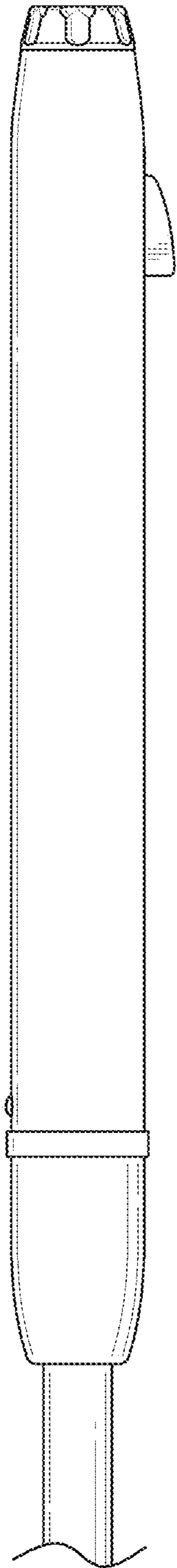


FIG. 2

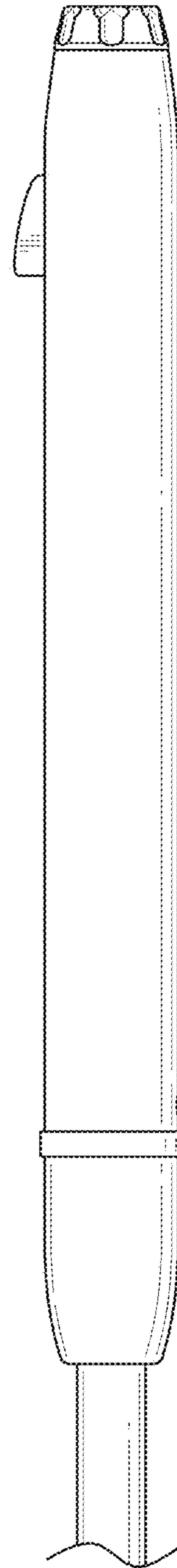


FIG. 3

FIG. 4

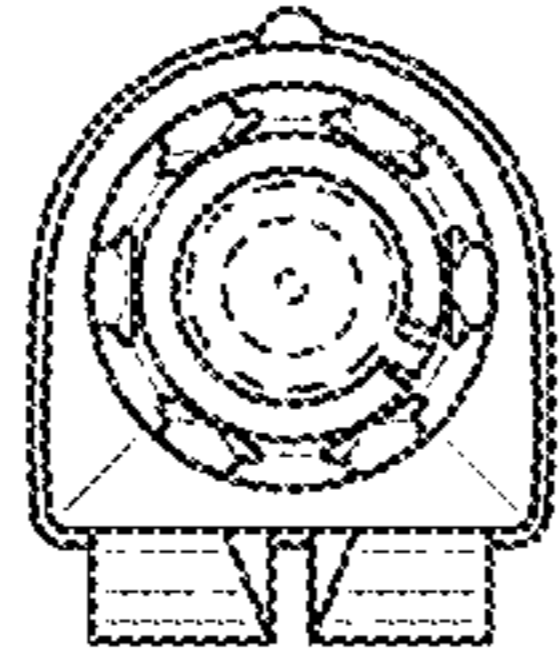


FIG. 5

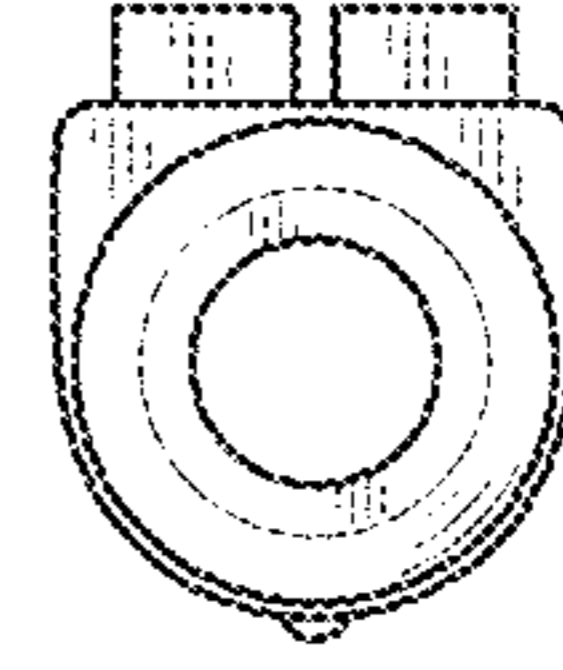


FIG. 6

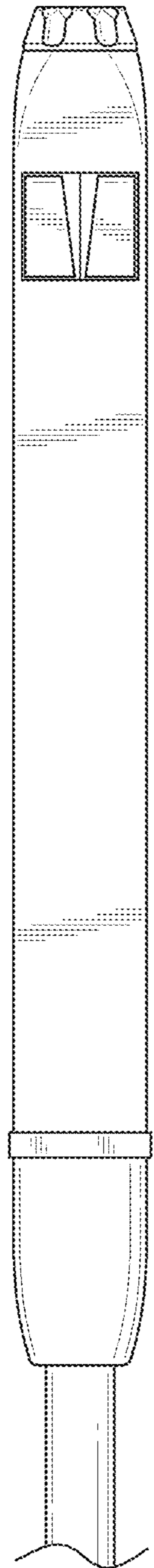


FIG. 7

