



US00D875257S

(12) **United States Design Patent**  
**Berkely**

(10) **Patent No.:** **US D875,257 S**

(45) **Date of Patent:** **\*\* Feb. 11, 2020**

(54) **DENTAL AIR/WATER SYRINGE TIP**

(71) Applicant: **Donovan Winston Berkely**, Irvine, CA (US)

(72) Inventor: **Donovan Winston Berkely**, Irvine, CA (US)

(\*\*) Term: **15 Years**

(21) Appl. No.: **29/664,276**

(22) Filed: **Sep. 24, 2018**

**Related U.S. Application Data**

(62) Division of application No. 29/564,356, filed on May 12, 2016, now Pat. No. Des. 832,443.

(51) **LOC (12) Cl.** ..... **24-02**

(52) **U.S. Cl.**  
USPC ..... **D24/176**

(58) **Field of Classification Search**  
USPC ..... D24/176-182, 152, 108, 112, 127, 130  
CPC ..... A61C 1/0061; A61C 1/0076; A61C 17/00;  
A61C 17/02; A61C 17/0202; A61C 17/0211;  
A61C 17/0214; A61C 17/022; A61C 17/0217;  
A61C 17/043  
See application file for complete search history.

(56) **References Cited**

**U.S. PATENT DOCUMENTS**

1,858,056 A 5/1932 Pieper  
2,094,888 A 10/1937 Hooper  
3,121,426 A 2/1964 Yoshida  
(Continued)

**FOREIGN PATENT DOCUMENTS**

WO WO 00/35370 6/2000  
WO WO 2000/33762 6/2000  
(Continued)

**OTHER PUBLICATIONS**

Luzzani Dental, Mini Mate, dated at least Feb. 25, 2016, in 1 page.

(Continued)

*Primary Examiner* — Wan Laymon

(74) *Attorney, Agent, or Firm* — Knobbe, Martens, Olson & Bear, LLP

(57) **CLAIM**

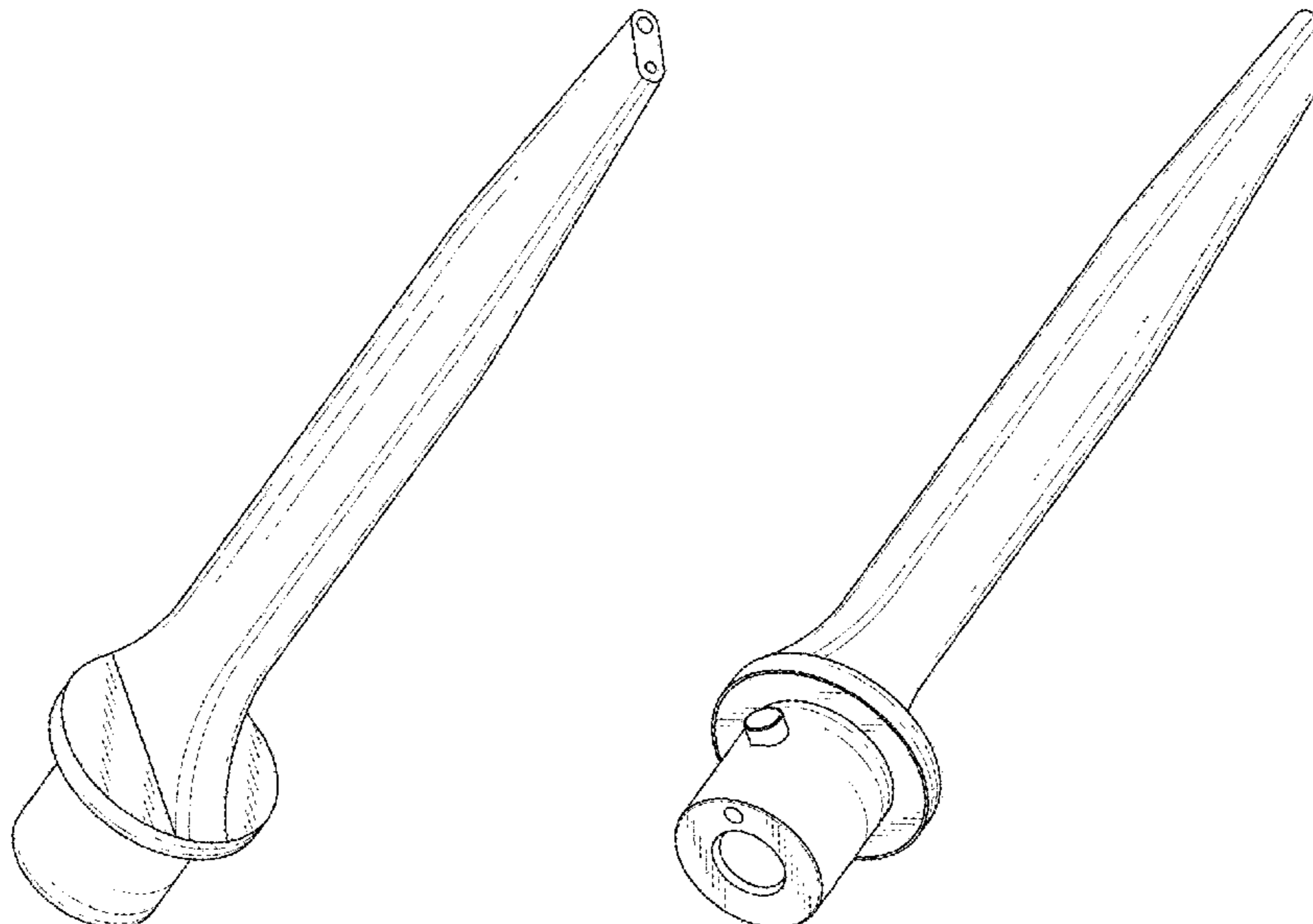
The ornamental design for a dental air/water syringe tip, as shown and described.

**DESCRIPTION**

FIG. 1 is a front, right perspective view of a dental air/water syringe tip showing a first embodiment; FIG. 2 is a rear, right perspective view thereof; FIG. 3 is another rear, right perspective view thereof; FIG. 4 is a right-side elevation view thereof; FIG. 5 is a left-side elevation view thereof; FIG. 6 is a front elevation view thereof; FIG. 7 is a rear elevation view thereof; FIG. 8 is a top plan view thereof; and FIG. 9 is a bottom plan view thereof. FIG. 10 is a front, right perspective view of a dental air/water syringe tip showing a second embodiment; FIG. 11 is a rear, right perspective view thereof; FIG. 12 is another rear, right perspective view thereof; FIG. 13 is a right-side elevation view thereof; FIG. 14 is a left-side elevation view thereof; FIG. 15 is a front elevation view thereof; FIG. 16 is a rear elevation view thereof; FIG. 17 is a top plan view thereof; and, FIG. 18 is a bottom plan view thereof.

All features in phantom line are for the purpose of illustrating environmental structure and form no part of the claimed subject matter. Color and texture may or may not form part of the claimed design or designs without departing from the design disclosed.

**1 Claim, 12 Drawing Sheets**



(56)

References Cited

U.S. PATENT DOCUMENTS

3,375,823	A	4/1968	Pamplin	
3,424,156	A	1/1969	Smith	
3,698,088	A	10/1972	Austin, Jr.	
3,874,083	A	4/1975	Buckley	
4,026,025	A	5/1977	Hunt	
4,248,589	A	2/1981	Lewis	
4,515,564	A	5/1985	Lohn	
4,522,597	A	6/1985	Gallant	
4,592,728	A	6/1986	Davis	
4,810,194	A	3/1989	Snedden	
4,975,058	A	12/1990	Woodward	
D316,600	S *	4/1991	Austin, Jr. ....	D24/113
5,049,071	A	9/1991	Davis et al.	
5,100,319	A	3/1992	Baum	
5,192,206	A	3/1993	Davis et al.	
5,204,004	A	4/1993	Johnston et al.	
5,230,624	A	7/1993	Wolf et al.	
5,234,338	A *	8/1993	Young .....	A61C 17/0202 433/126
5,236,356	A	8/1993	Davis et al.	
5,254,103	A	10/1993	Heuillon	
5,306,146	A	4/1994	Davis et al.	
5,322,440	A	6/1994	Steele	
5,336,202	A	8/1994	Bailly et al.	
5,342,195	A	8/1994	Davis et al.	
D352,354	S	11/1994	Davis et al.	
5,391,145	A	2/1995	Dorsey, III	
5,460,619	A	10/1995	Esrock	
5,468,148	A	11/1995	Ricks	
5,489,205	A	2/1996	Davis et al.	
5,554,025	A	9/1996	Kinsel	
5,591,389	A	1/1997	Esrock	
5,616,028	A	4/1997	Hafele et al.	
5,658,144	A	8/1997	Tinder et al.	
5,772,433	A	6/1998	Esrock	
5,833,456	A	11/1998	Davis et al.	
5,848,893	A	12/1998	Martin et al.	
5,882,194	A	3/1999	Davis et al.	
5,882,197	A	3/1999	Davis et al.	
D409,305	S	5/1999	Martin et al.	
5,899,692	A	5/1999	Davis et al.	
5,908,296	A	6/1999	Kipke et al.	
5,927,975	A	7/1999	Esrock	
5,961,326	A	10/1999	Johnston et al.	

6,048,200	A	4/2000	Martin et al.
6,079,979	A	6/2000	Riitano
6,093,020	A	7/2000	Pond et al.
6,113,391	A	9/2000	Esrock
6,149,429	A	11/2000	Bukowski et al.
6,159,007	A	12/2000	Sorensen
6,238,211	B1	5/2001	Esrock
6,250,921	B1	6/2001	Esrock
RE37,324	E	8/2001	Esrock
6,283,750	B1	9/2001	Esrock
6,319,001	B1	11/2001	Esrock
6,322,361	B1	11/2001	Esrock
6,382,970	B1	5/2002	Foster
6,390,815	B1	5/2002	Pond
6,419,485	B1	7/2002	Pond
6,464,498	B1	10/2002	Pond
6,500,000	B1	12/2002	Segal
6,533,578	B2	3/2003	Segal
6,824,385	B1	11/2004	Bain et al.
7,025,755	B2	4/2006	Epstein
7,431,587	B2	10/2008	Pond
7,993,135	B2	8/2011	Nesbitt et al.
8,662,470	B2	3/2014	Kleckner et al.
D832,443	S	10/2018	Berkely
D832,444	S	10/2018	Berkely
D841,817	S	2/2019	Berkely
D842,480	S	3/2019	Berkely
2001/0041321	A1	11/2001	Segal
2004/0224281	A1	11/2004	Bain et al.
2005/0089816	A1	4/2005	Krisch
2006/0024640	A1	2/2006	Pond et al.
2011/0275026	A1	11/2011	Smith
2013/0260333	A1	10/2013	Berkely
2013/0316299	A1	11/2013	Berkely
2015/0050613	A1	2/2015	Berkely

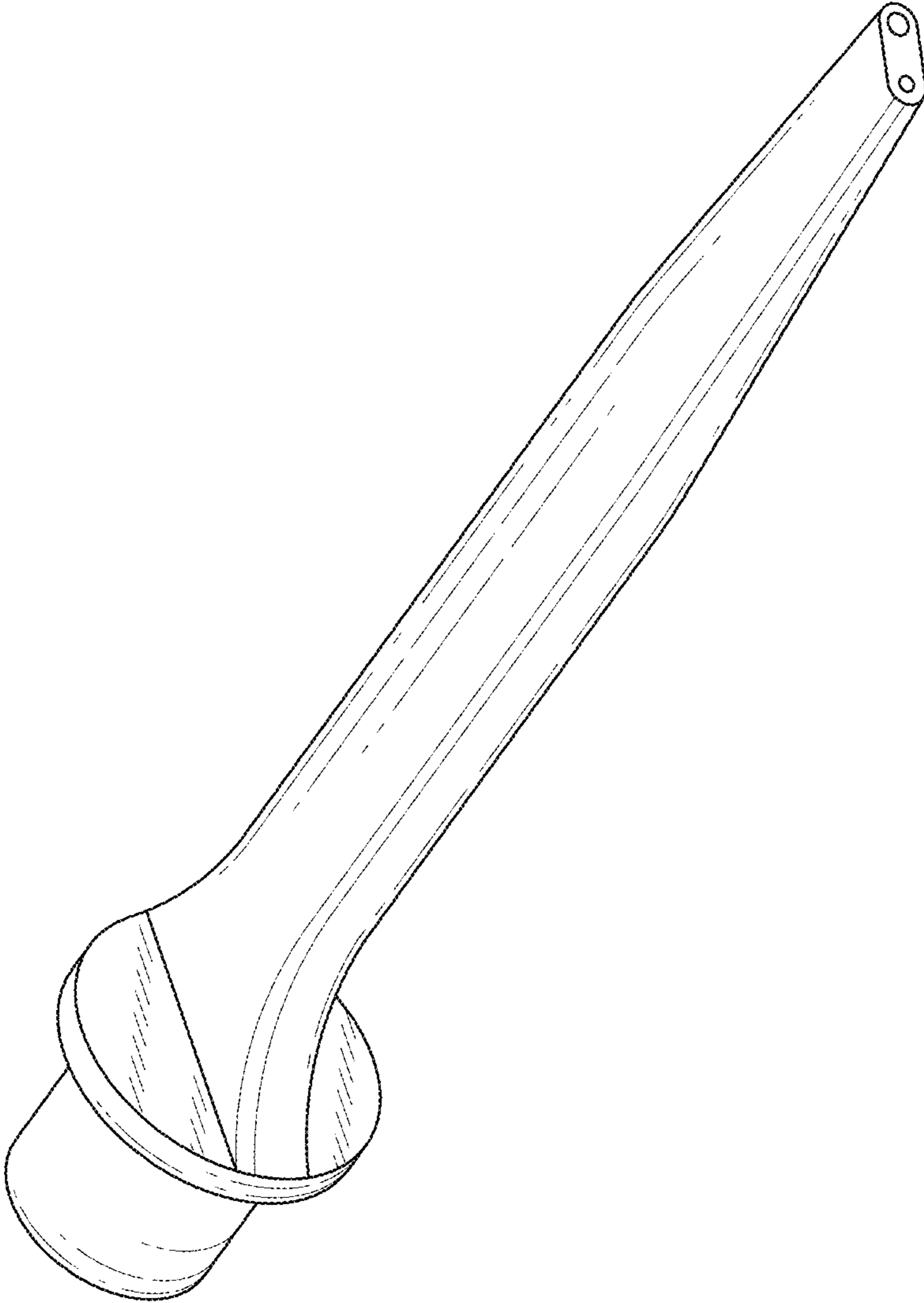
FOREIGN PATENT DOCUMENTS

WO	WO 2013/151961	10/2013
WO	WO 2015/023799	2/2015

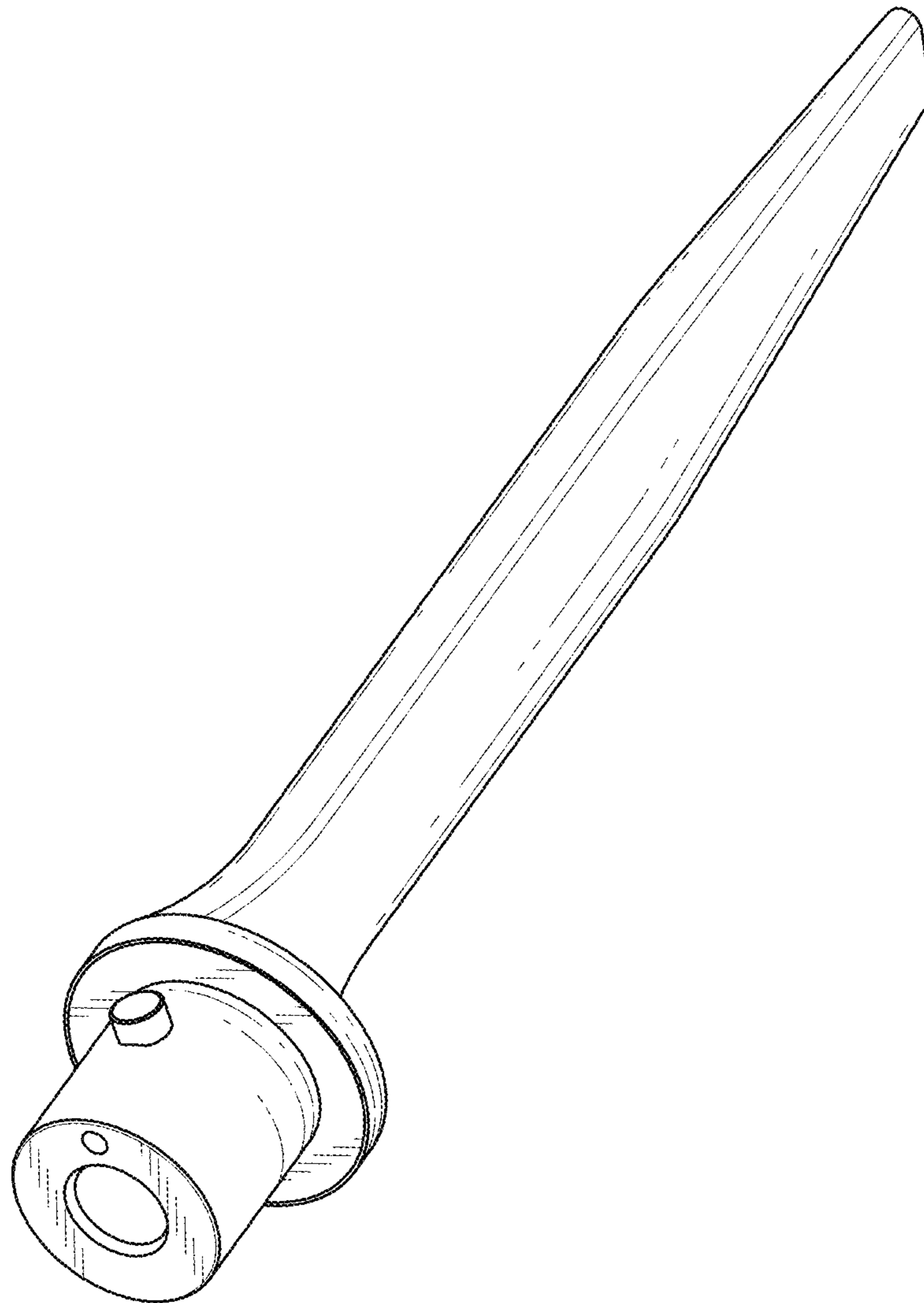
OTHER PUBLICATIONS

Luzzani Dental, Mini Light, dated at least Feb. 25, 2016, in 1 page.

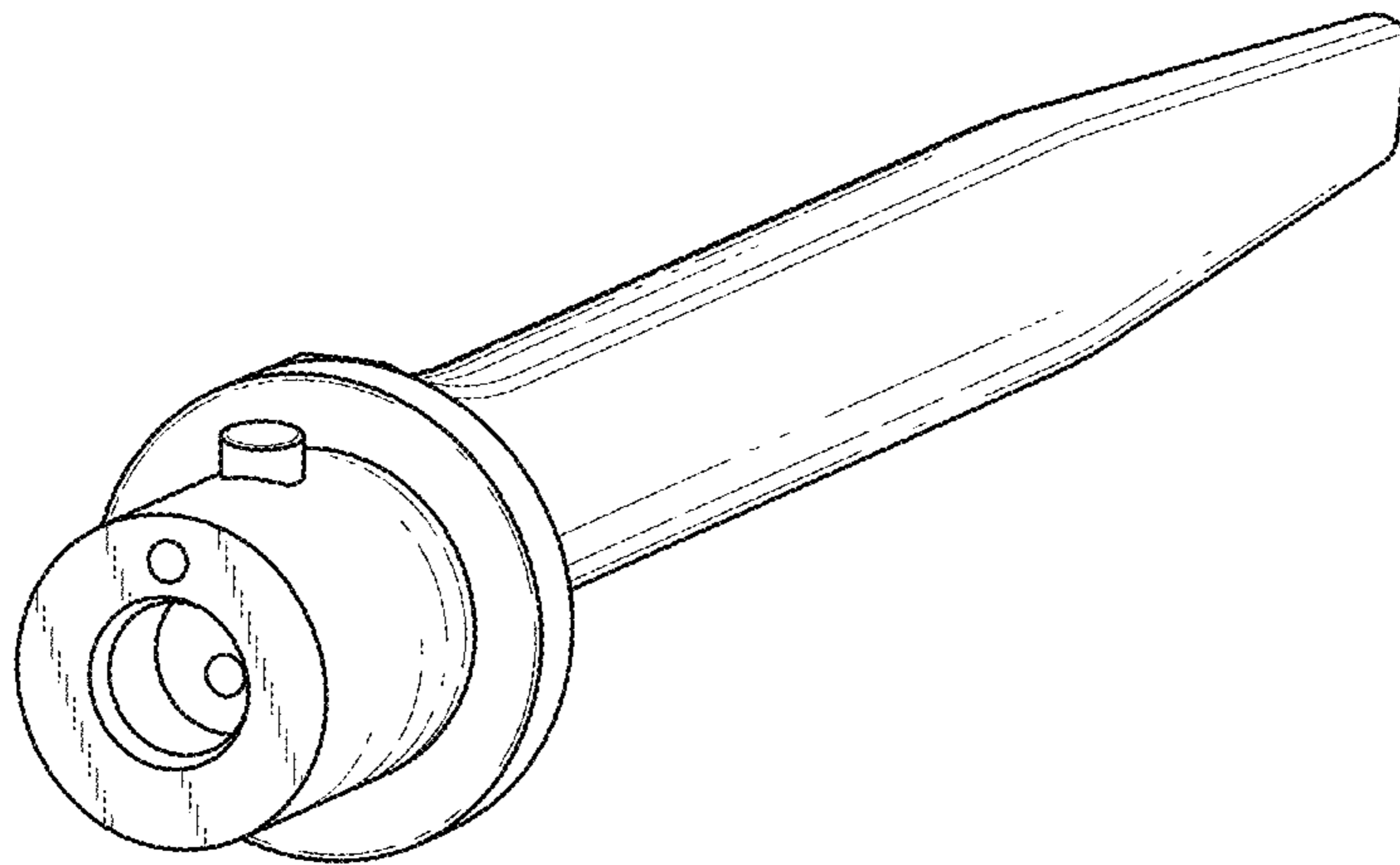
\* cited by examiner



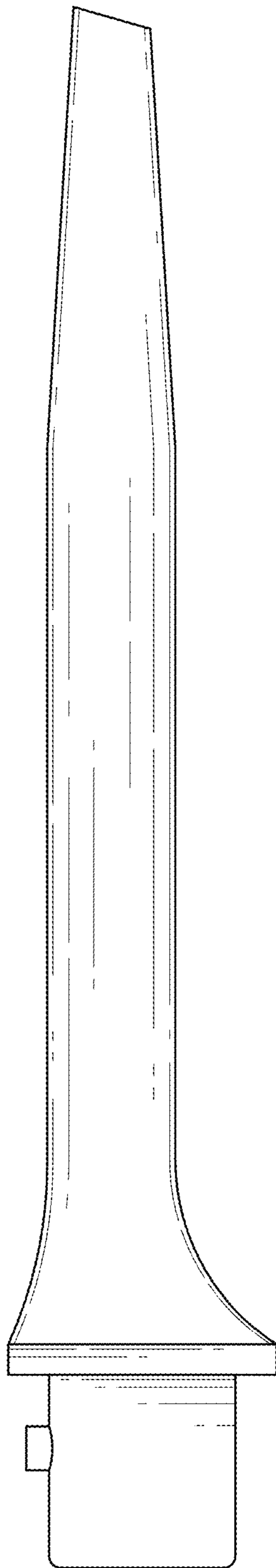
*FIG. 1*



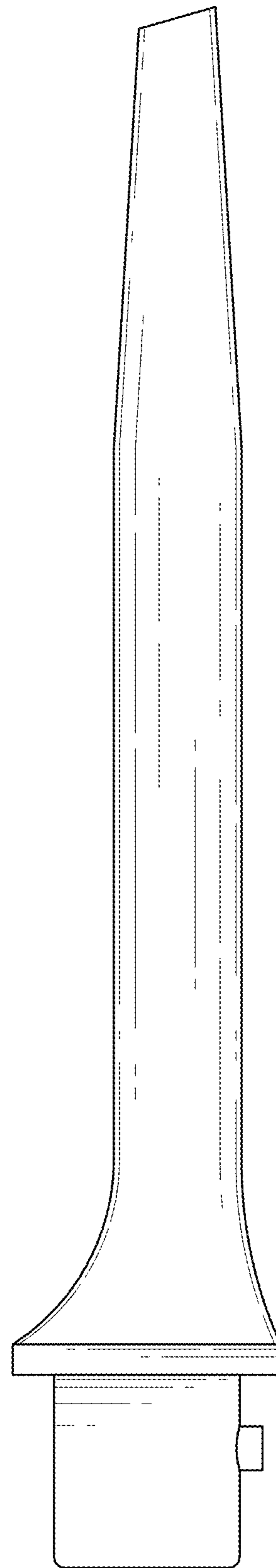
*FIG. 2*



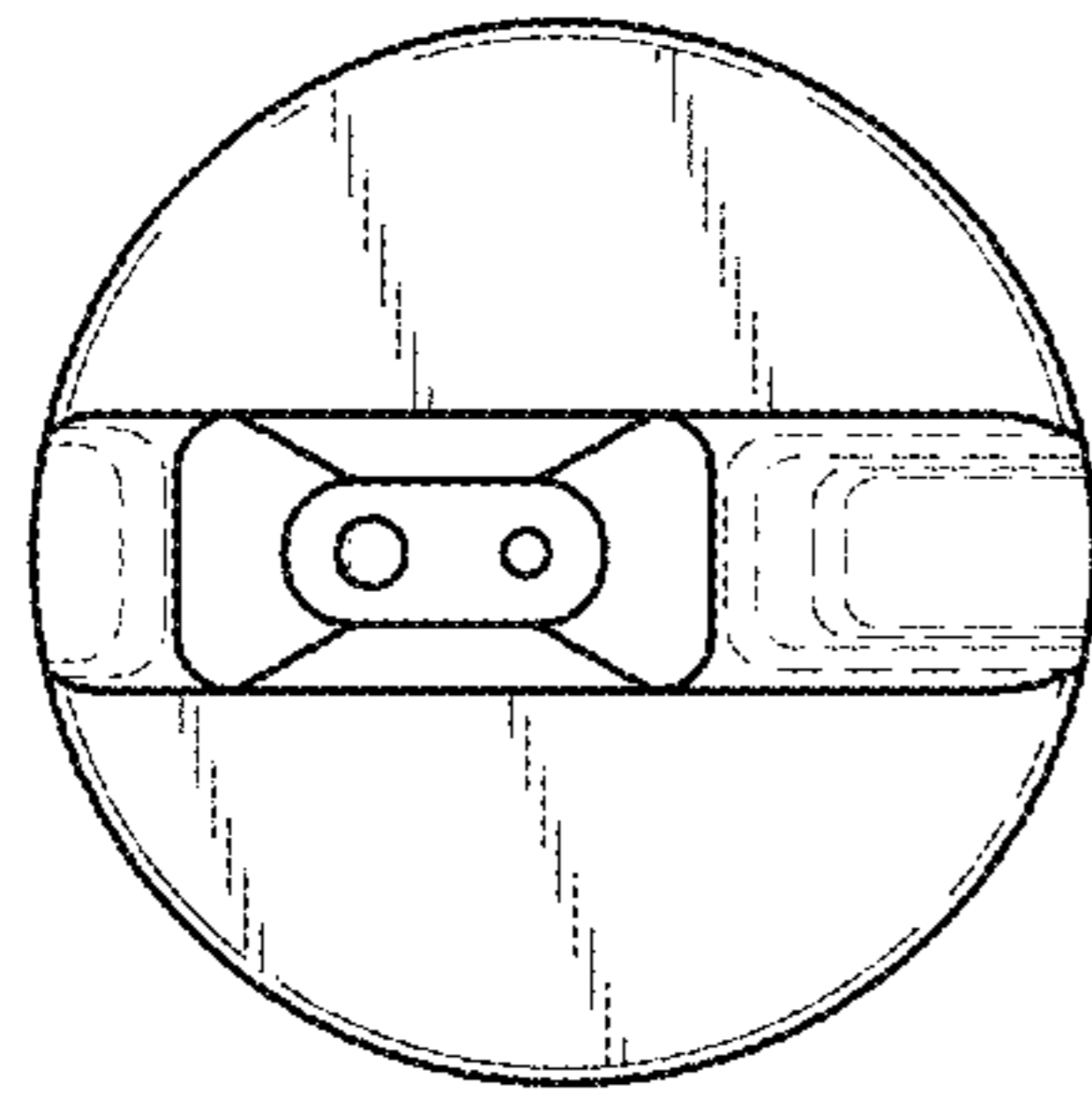
*FIG. 3*



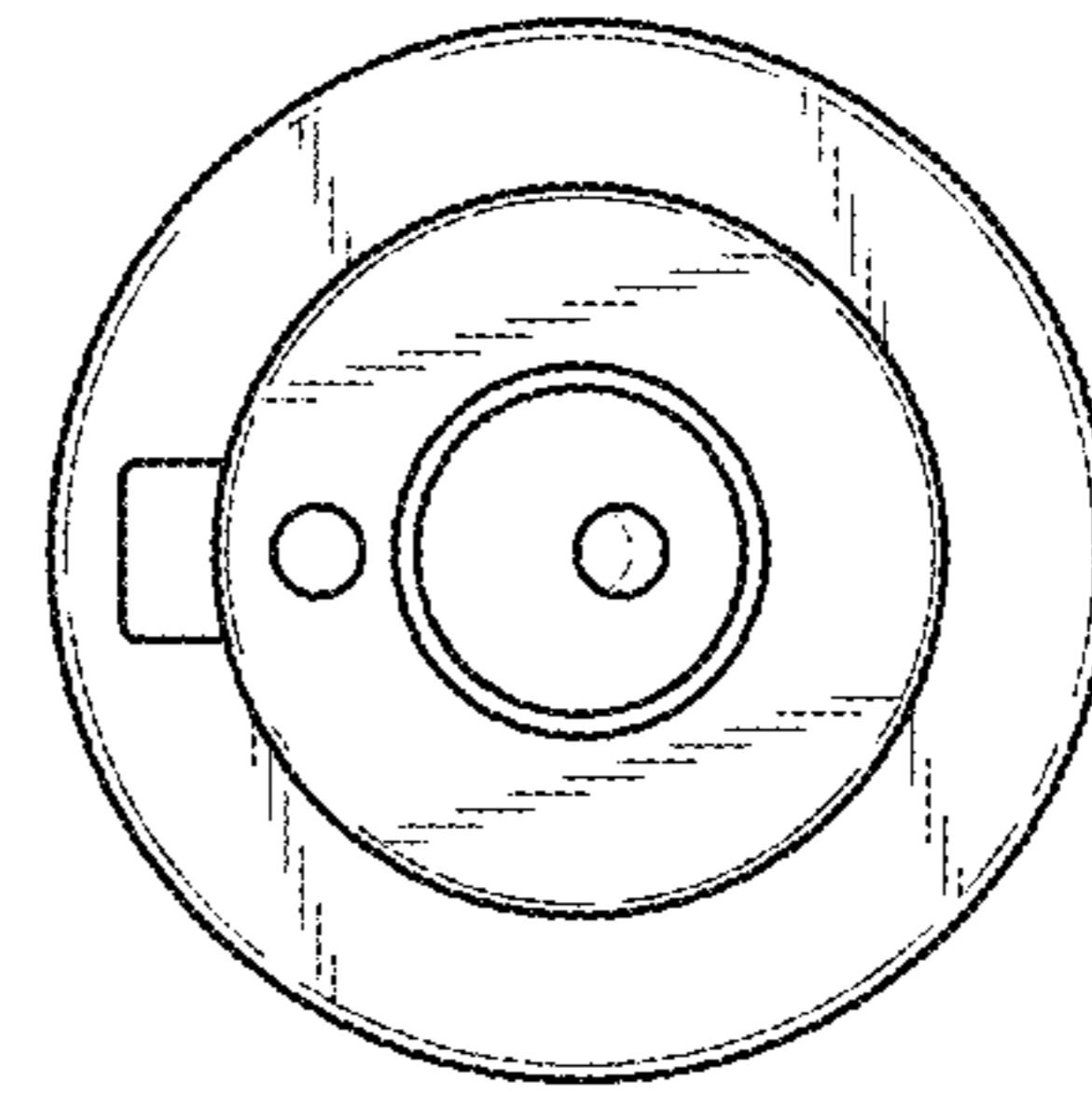
*FIG. 4*



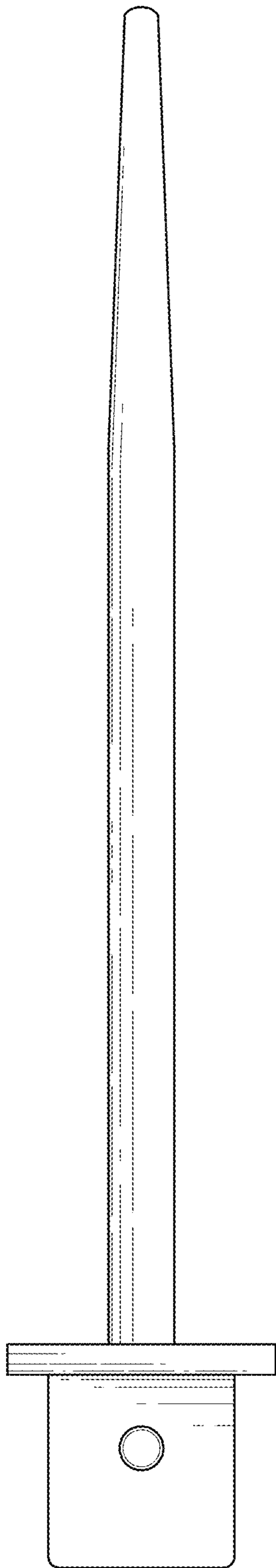
*FIG. 5*



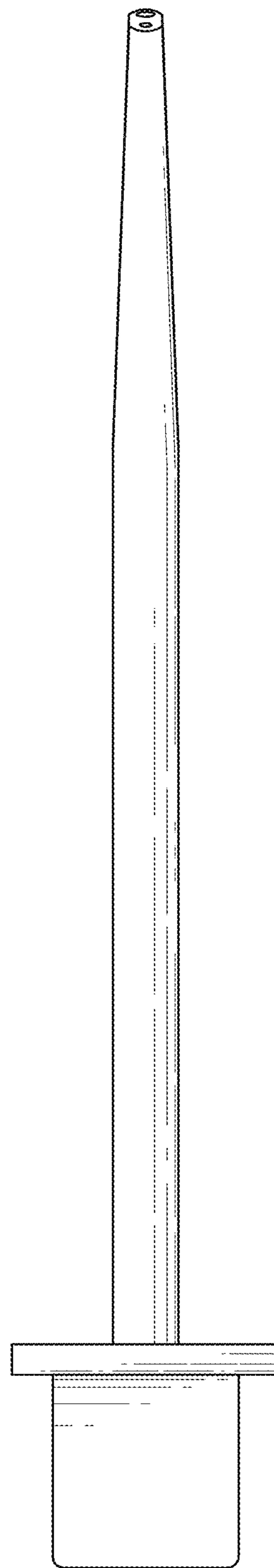
*FIG. 6*



*FIG. 7*

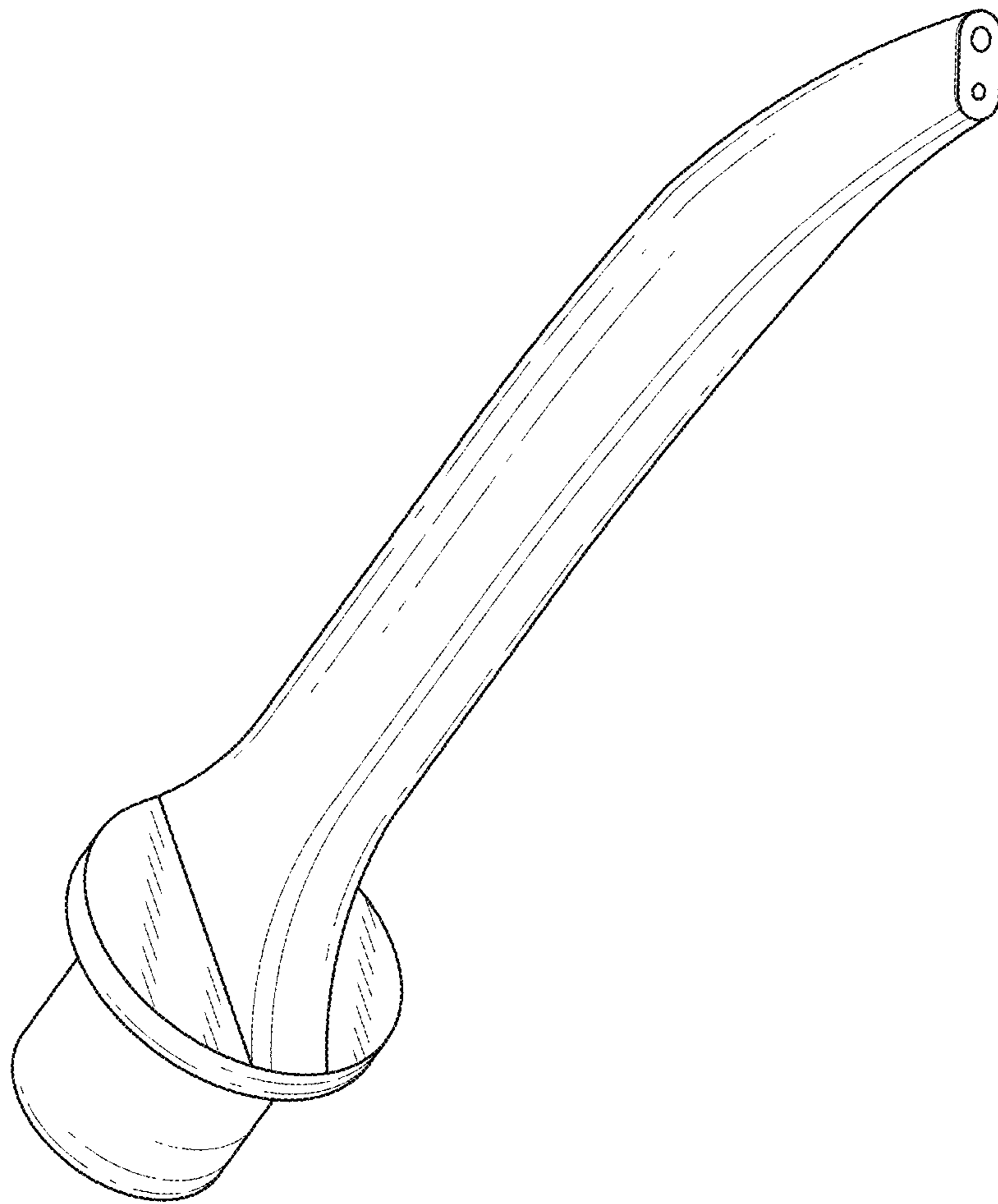


*FIG. 8*

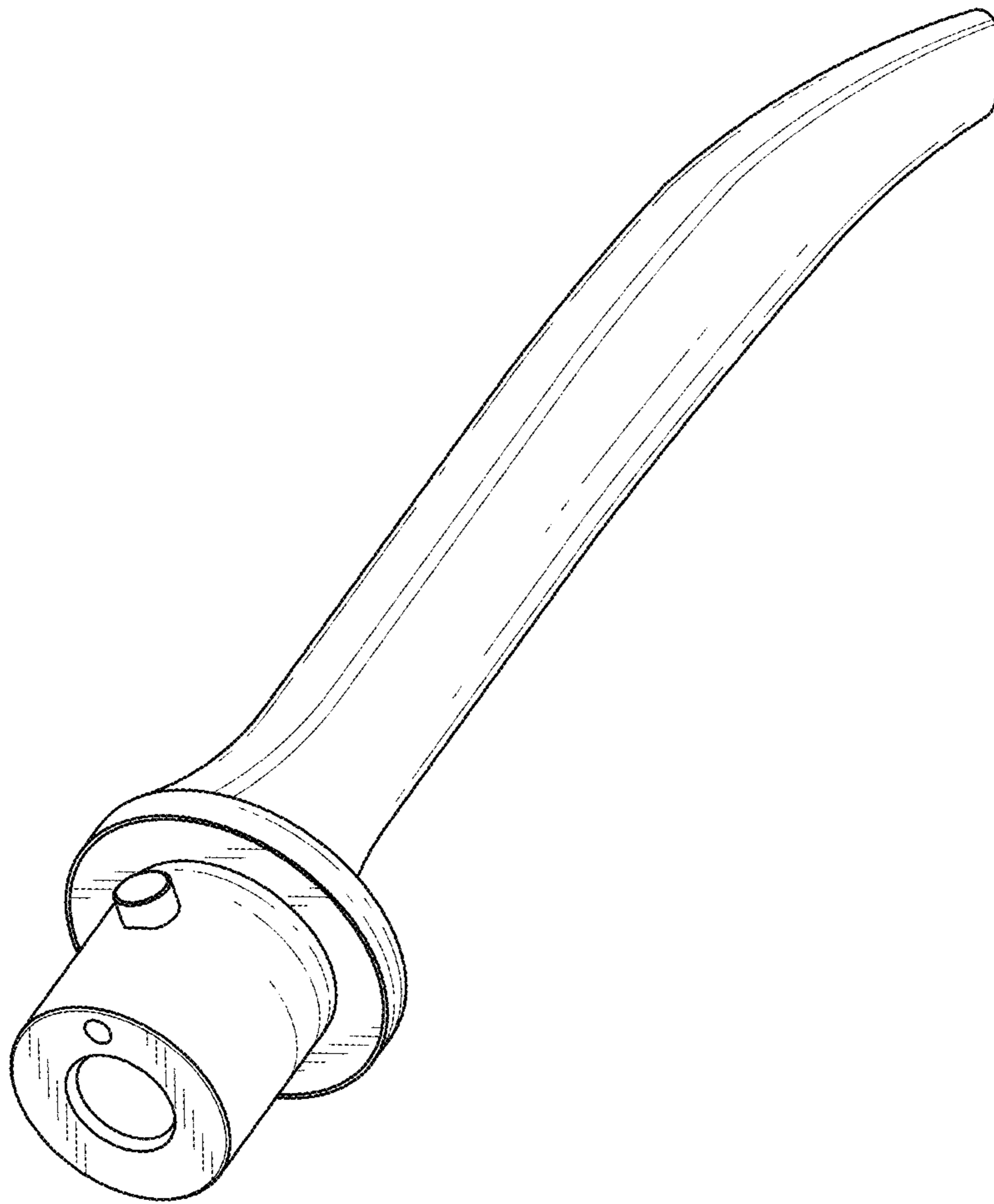


*FIG. 9*

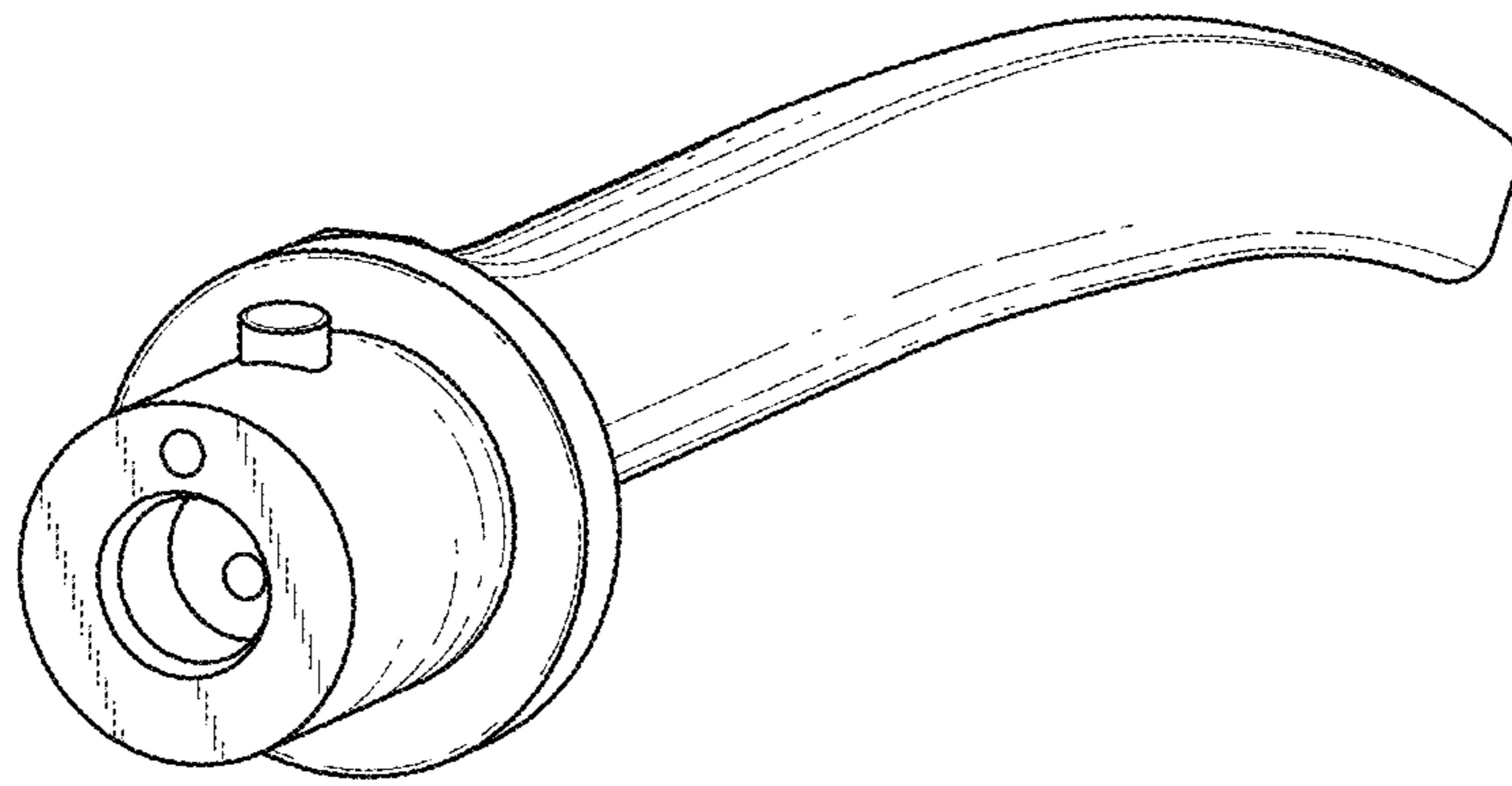




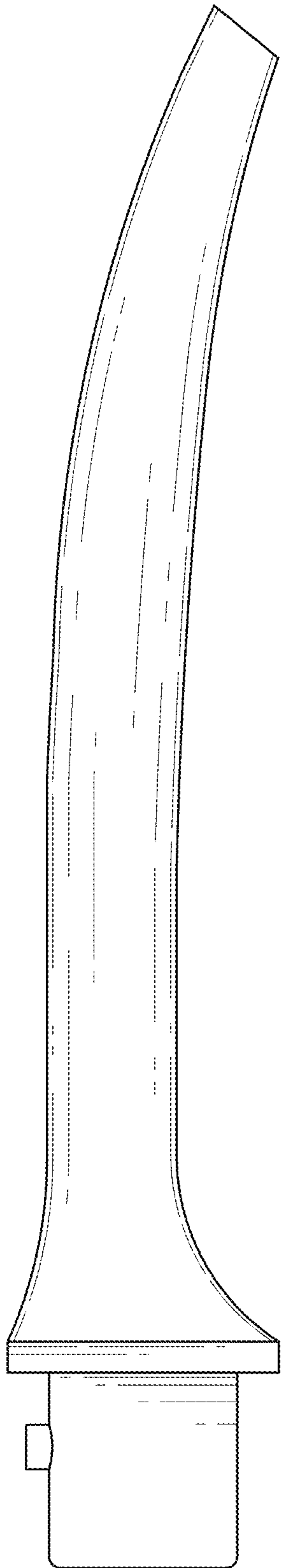
*FIG. 10*



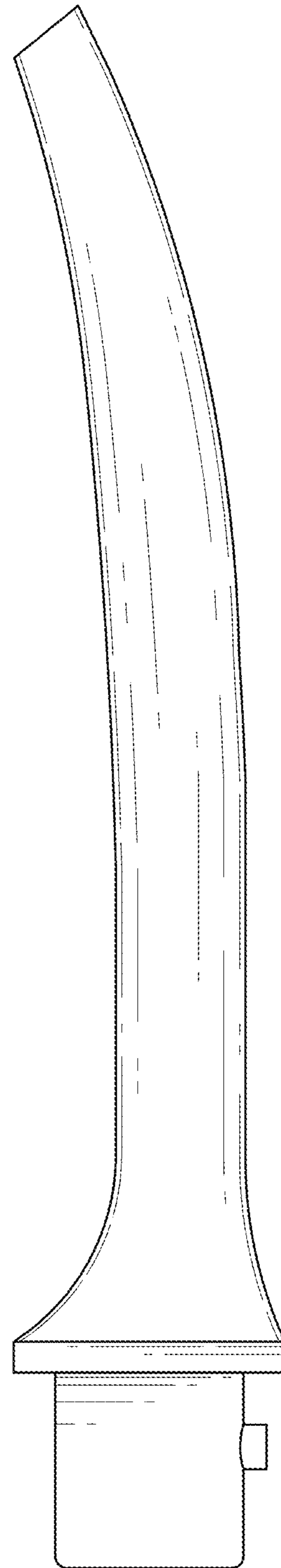
*FIG. 11*



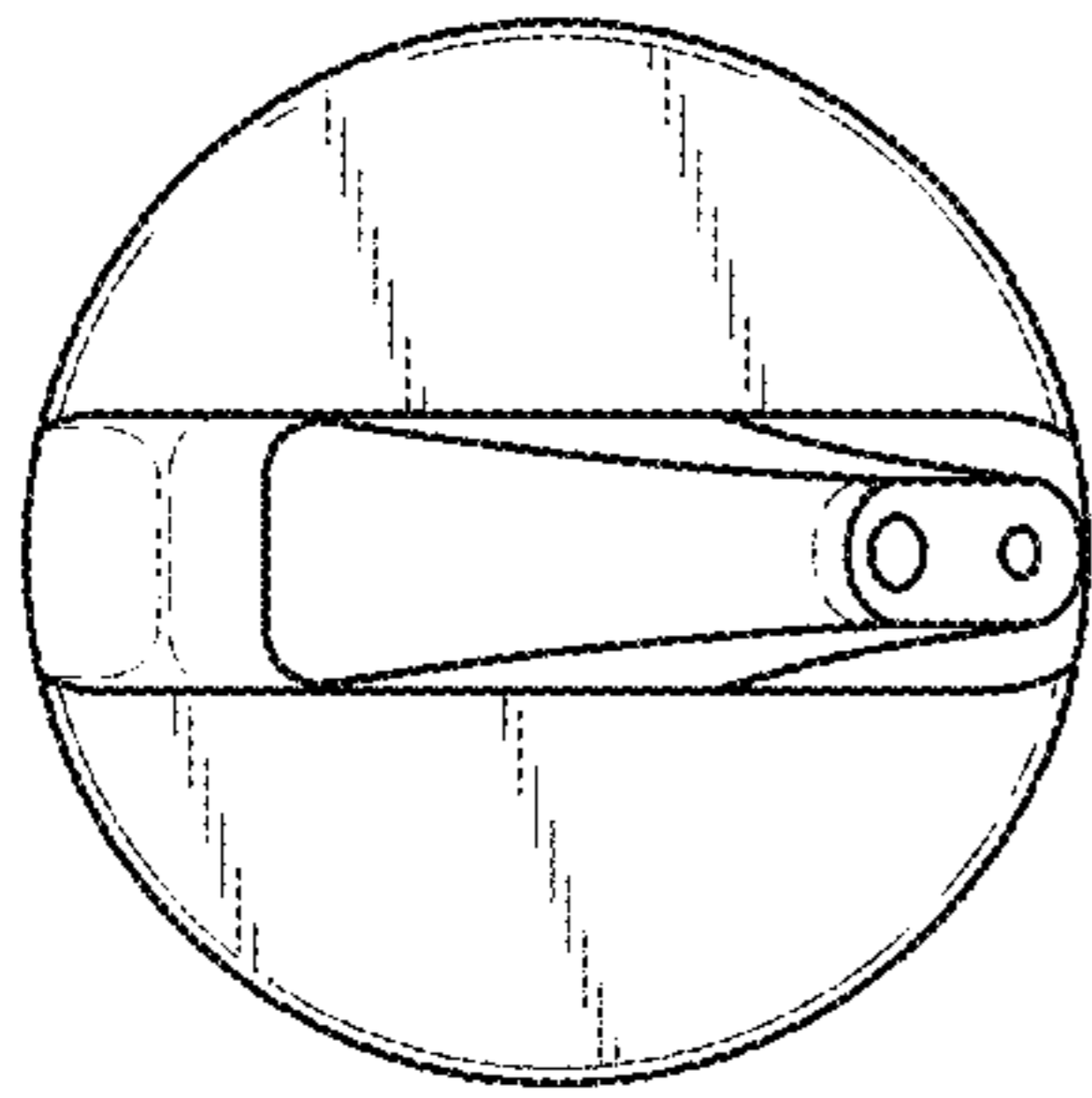
*FIG. 12*



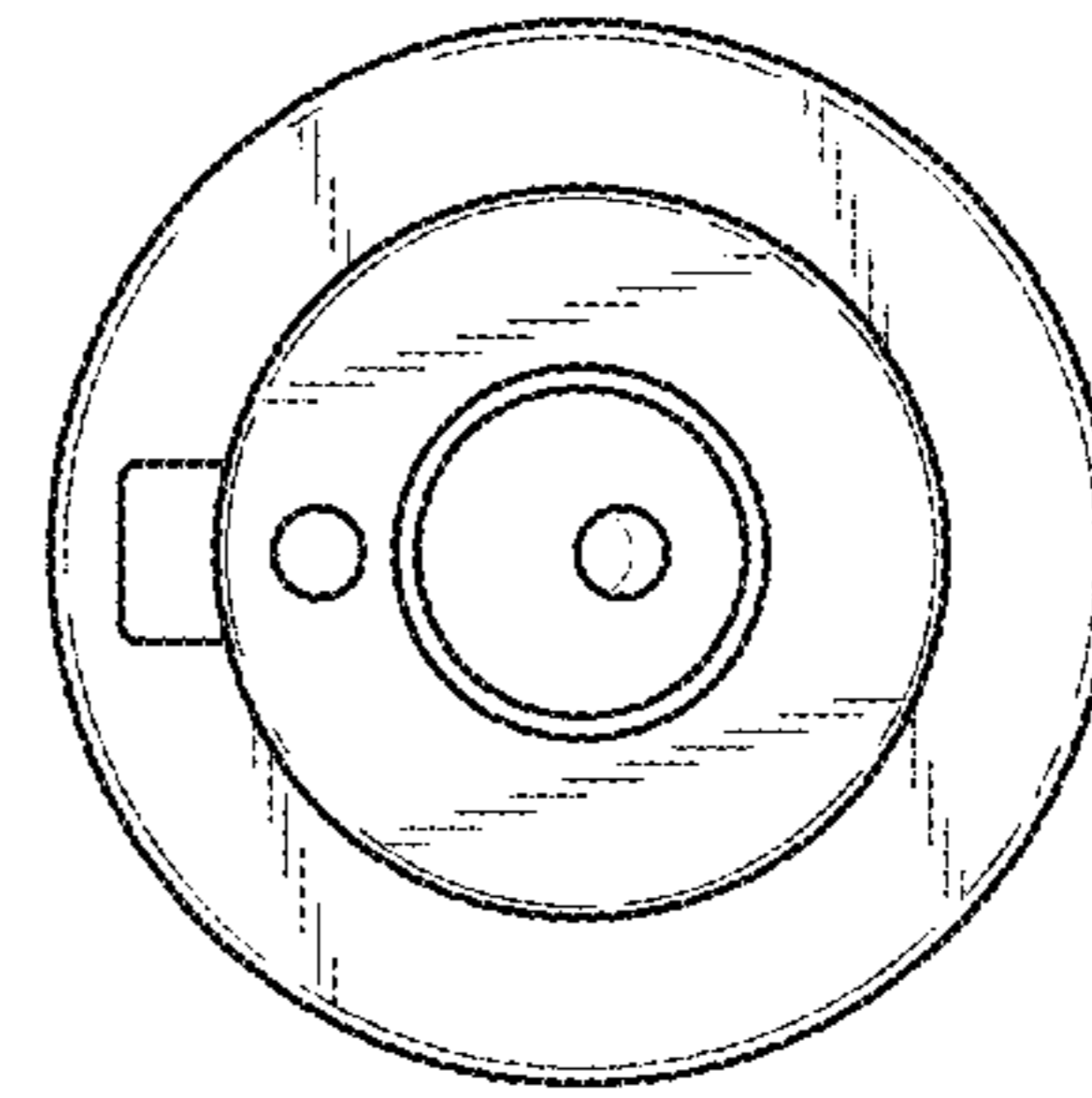
*FIG. 13*



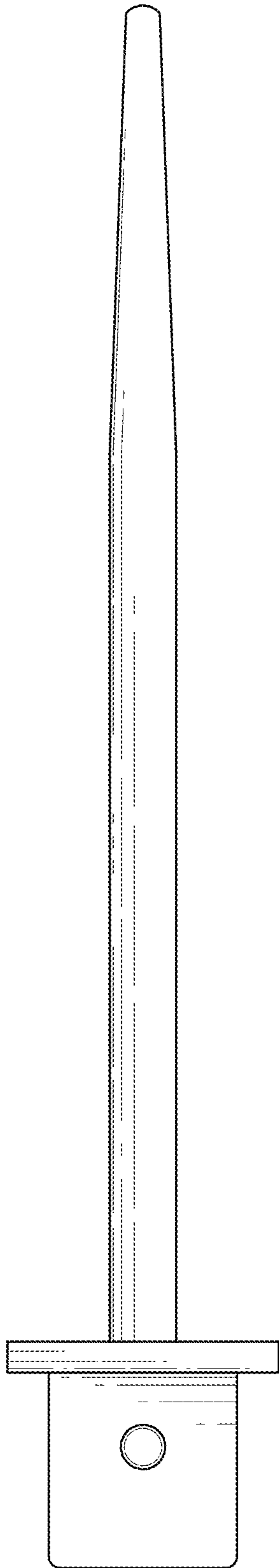
*FIG. 14*



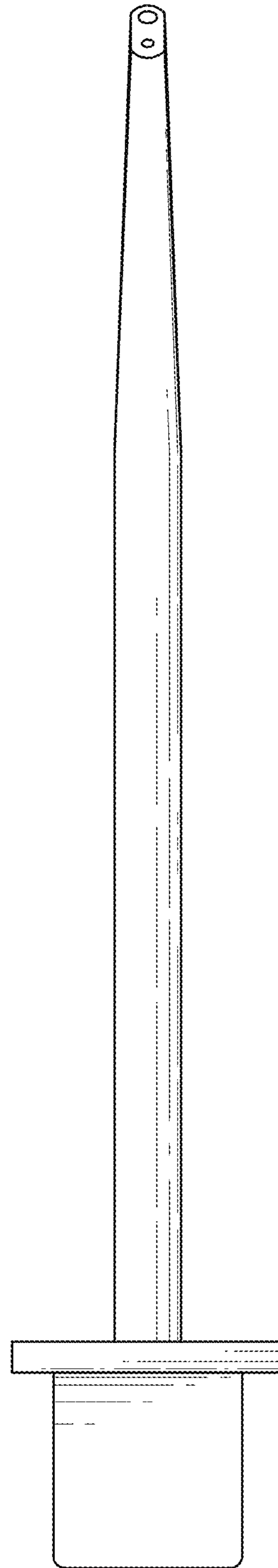
*FIG. 15*



*FIG. 16*



*FIG. 17*



*FIG. 18*