



US00D875256S

(12) **United States Design Patent** (10) **Patent No.:** **US D875,256 S**  
**Matuschek et al.** (45) **Date of Patent:** **\*\* Feb. 11, 2020**

(54) **OPHTHALMIC INSTRUMENT**

(71) Applicant: **Carl Zeiss Meditec AG**, Jena (DE)

(72) Inventors: **Walter Matuschek**, Aalen (DE);  
**Delbert Peter Andrews**, Oberkochen (DE); **Michael Stefan Rill**, Jena (DE);  
**Tobias Damm**, Munich (DE)

(73) Assignee: **Carl Zeiss Meditec AG**, Jena (DE)

(\*\*) Term: **15 Years**

(21) Appl. No.: **29/638,254**

(22) Filed: **Feb. 26, 2018**

(30) **Foreign Application Priority Data**

Aug. 29, 2017 (DE) ..... 40 2017 001 030

(51) **LOC (12) Cl.** ..... **24-02**

(52) **U.S. Cl.**  
USPC ..... **D24/172**

(58) **Field of Classification Search**  
USPC ..... D24/172, 186, 158, 185; D16/131  
CPC ..... A61G 12/001; G02B 21/361; G01F 23/64  
See application file for complete search history.

(56) **References Cited**

**U.S. PATENT DOCUMENTS**

D198,232 S \* 5/1964 Maier ..... D24/172  
D378,315 S \* 3/1997 Schwaegerle ..... D24/172  
D410,544 S \* 6/1999 Metzler ..... D24/172  
D447,567 S \* 9/2001 Murphy ..... D24/172  
8,286,977 B2 \* 10/2012 Butler ..... A61G 12/001  
280/47.34

(Continued)

*Primary Examiner* — Rhea Shields

(74) *Attorney, Agent, or Firm* — Patterson Thuentle Pedersen, P.A.

(57) **CLAIM**

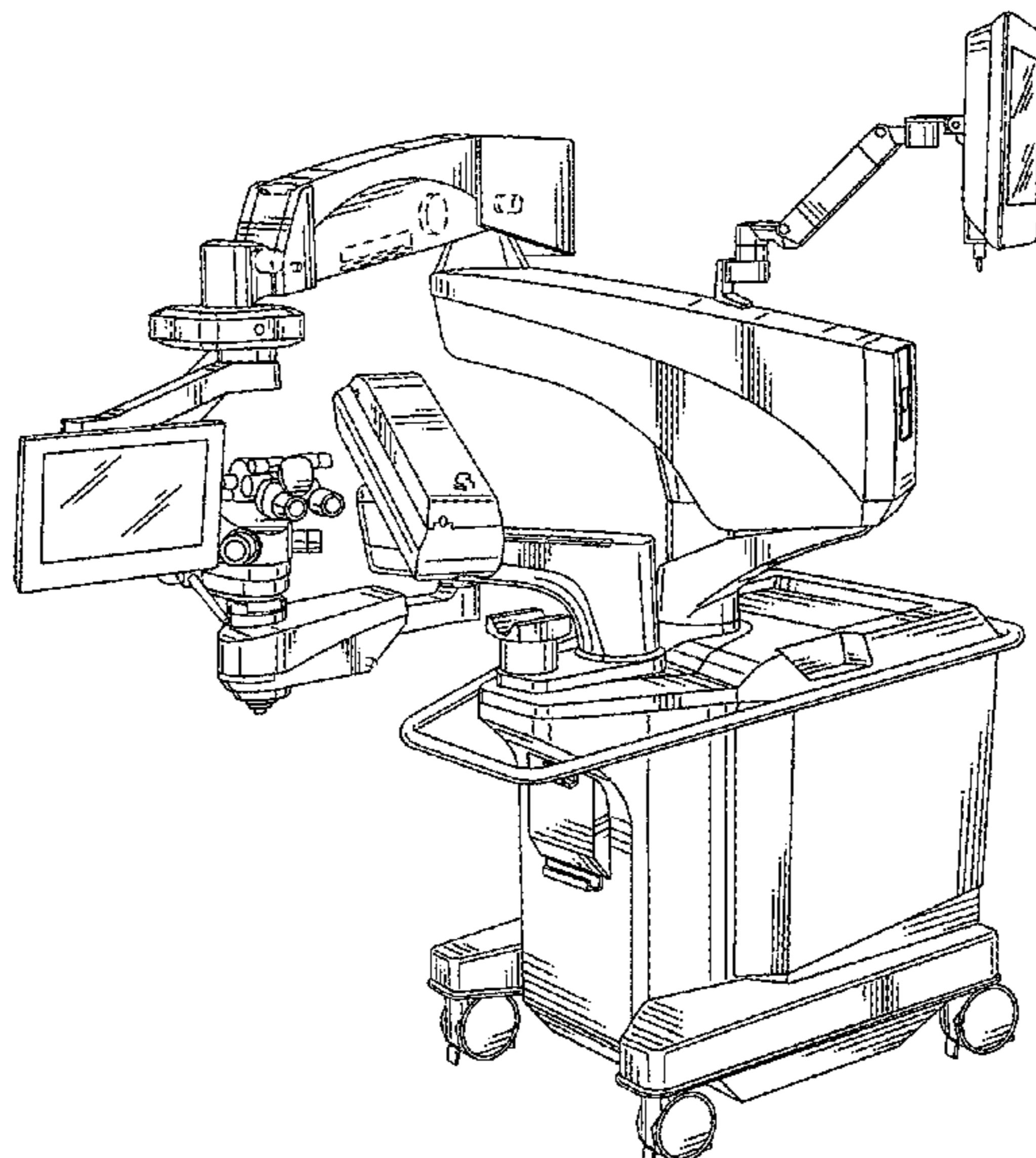
The ornamental design for an ophthalmic instrument, as shown and described.

**DESCRIPTION**

FIG. 1 is a perspective view of an ophthalmic instrument, according to our new design;  
FIG. 2 is a first side view thereof;  
FIG. 3 is a back view thereof;  
FIG. 4 is a second side view thereof;  
FIG. 5 is a front view thereof;  
FIG. 6 is a top plan view thereof;  
FIG. 7 is a bottom plan view thereof;  
FIG. 8 is another perspective view in a second position thereof;  
FIG. 9 is a perspective view thereof;  
FIG. 10 is a first side view thereof;  
FIG. 11 is a front view thereof;  
FIG. 12 is a second side view thereof;  
FIG. 13 is a perspective view thereof;  
FIG. 14 is a perspective view, according to FIG. 1 and shown with stippling;  
FIG. 15 is a first side view thereof;  
FIG. 16 is a back view thereof;  
FIG. 17 is a second side view thereof;  
FIG. 18 is a front view thereof;  
FIG. 19 is a top plan view thereof;  
FIG. 20 is a bottom plan view thereof;  
FIG. 21 is another perspective view in a second position thereof;  
FIG. 22 is a perspective view thereof;  
FIG. 23 is a first side view thereof;  
FIG. 24 is a front view thereof;  
FIG. 25 is a second side view thereof; and,  
FIG. 26 is a perspective view thereof.

In the drawings, the broken lines are for the purpose of illustrating environment only and form no part of the claimed design. In FIGS. 14 through 26 the stippling feature is for the purpose of showing a contrast in appearance.

**1 Claim, 26 Drawing Sheets**



(56)

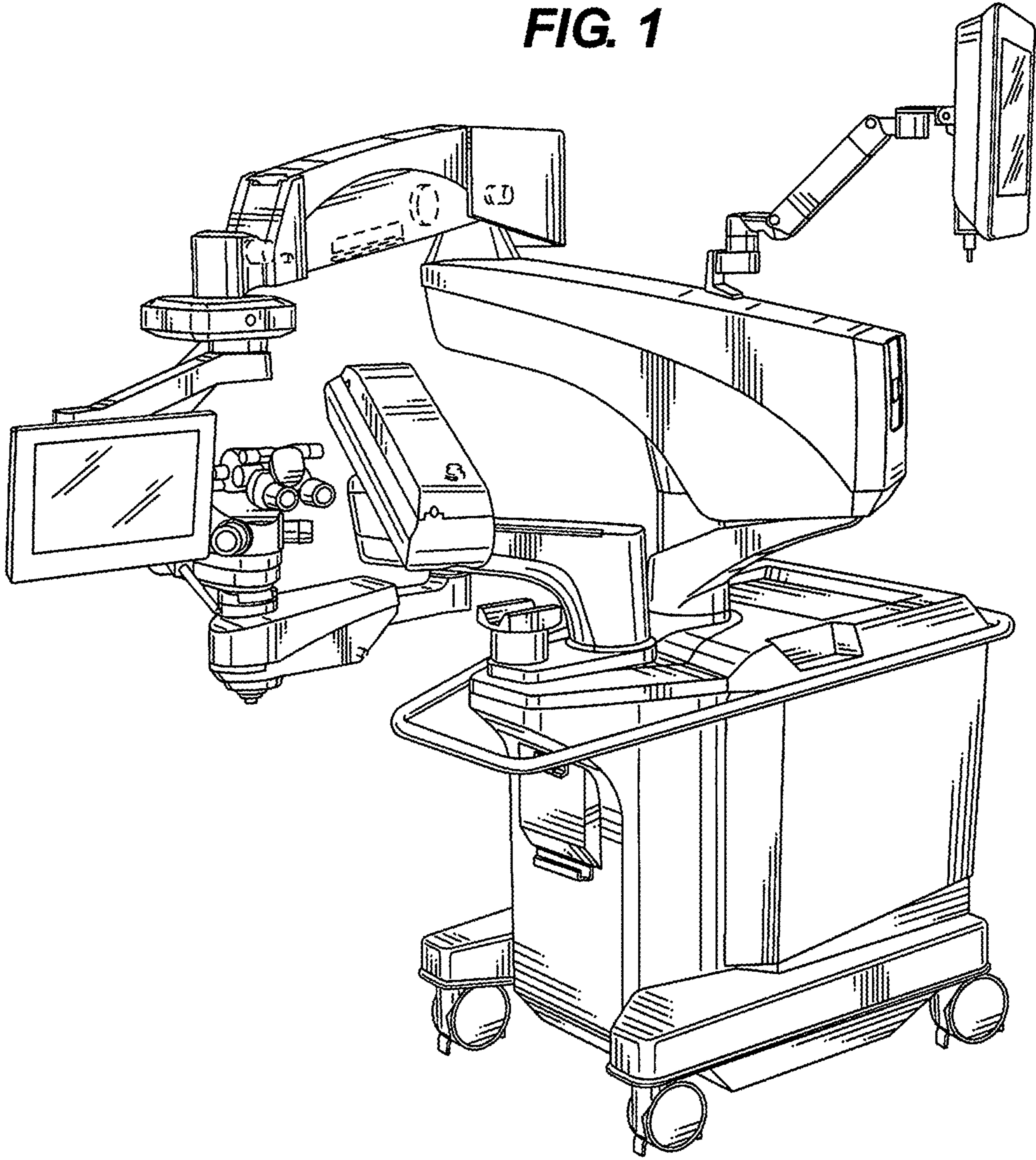
**References Cited**

U.S. PATENT DOCUMENTS

D692,563 S \* 10/2013 Naef ..... D24/172  
D707,359 S \* 6/2014 Kim ..... D24/185  
D724,736 S \* 3/2015 Kim ..... D24/158  
9,086,313 B2 \* 7/2015 Tobia ..... G01F 23/64  
D743,036 S \* 11/2015 Boukhny ..... D24/172  
D758,465 S \* 6/2016 Matuschek ..... D16/131  
D804,673 S \* 12/2017 Shin ..... D24/186  
D816,232 S \* 4/2018 Asad ..... D24/186  
10,413,159 B2 \* 9/2019 Steffen ..... G02B 21/361

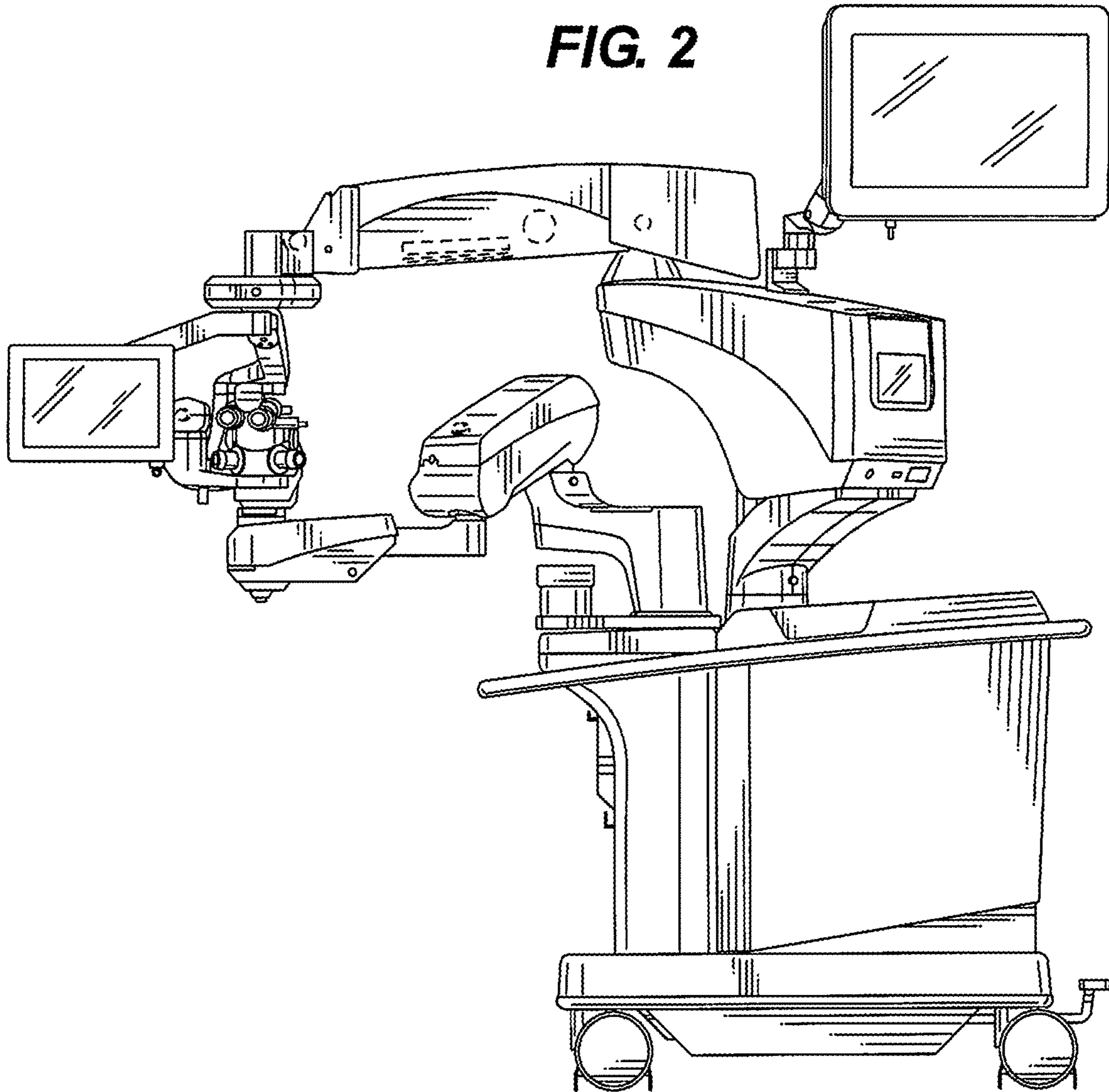
\* cited by examiner

**FIG. 1**

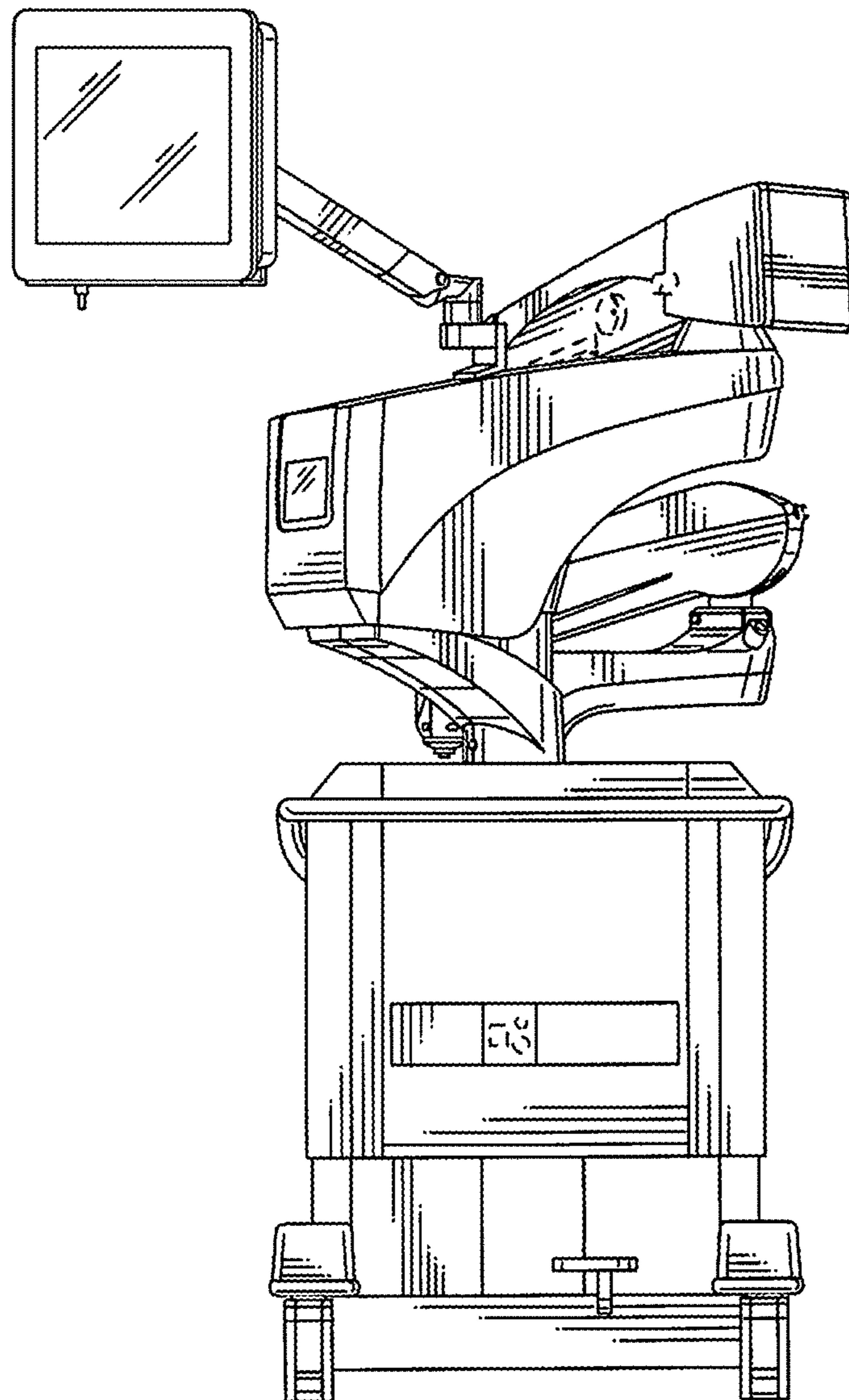




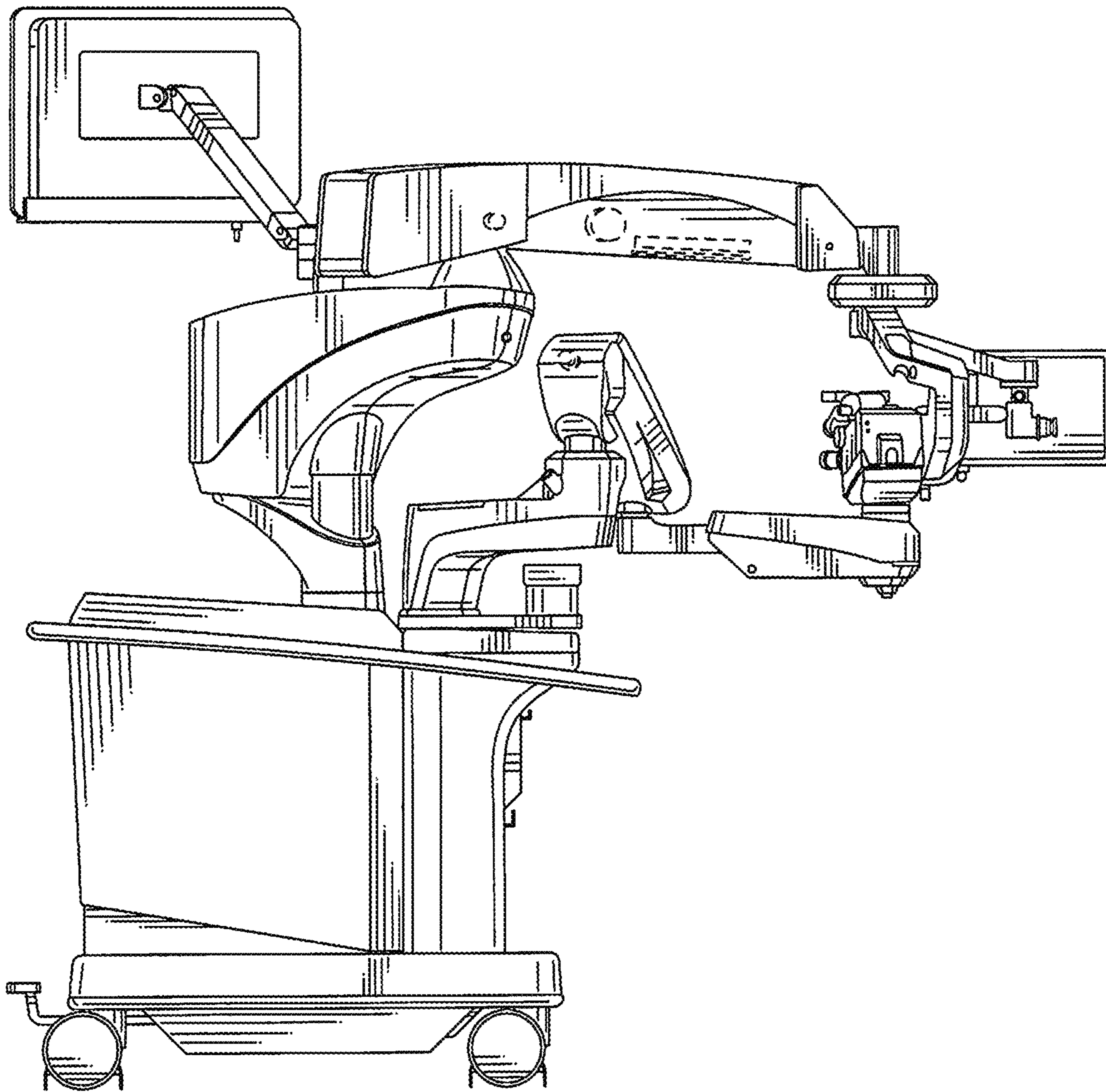
**FIG. 2**



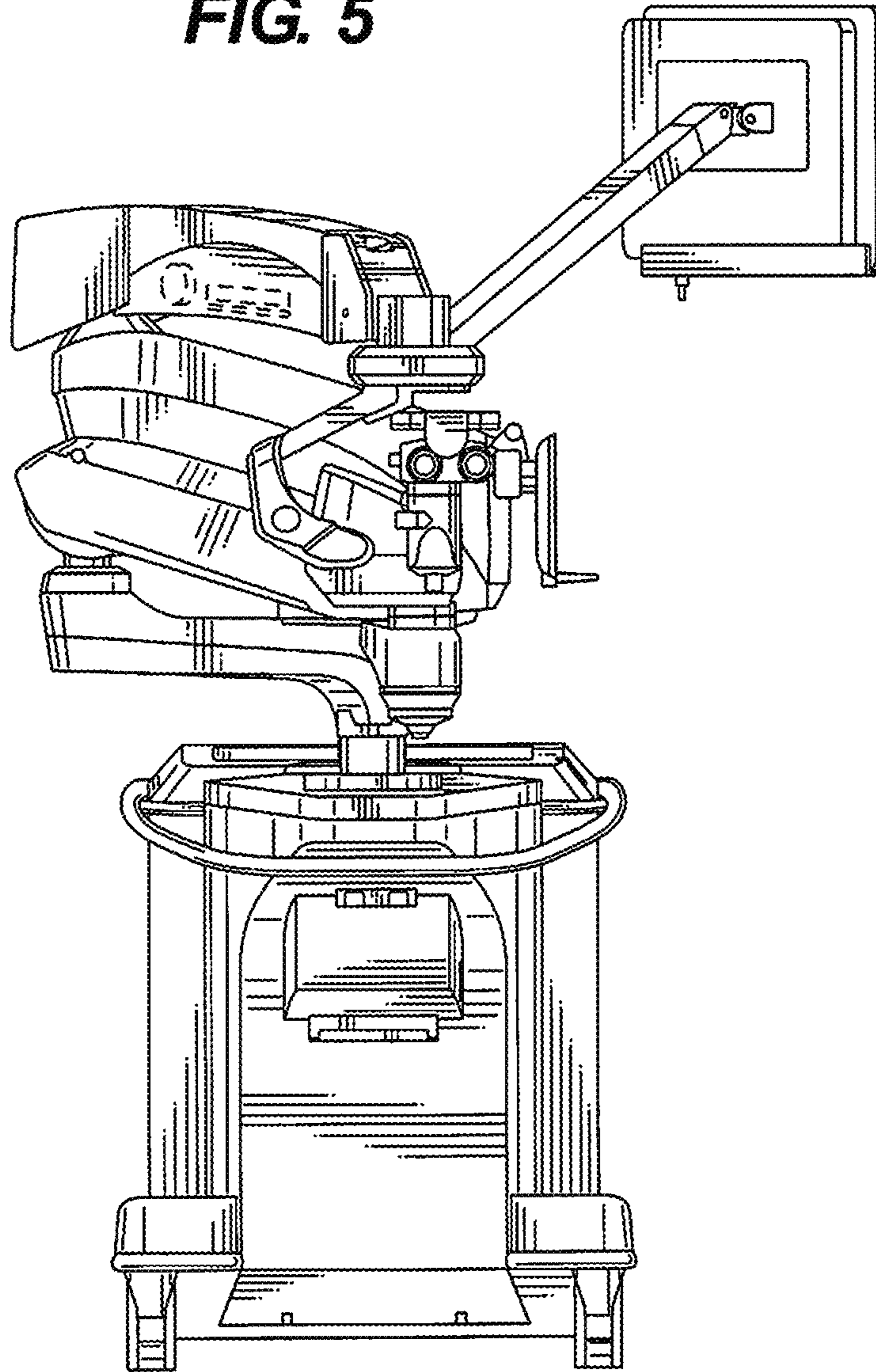
**FIG. 3**



**FIG. 4**

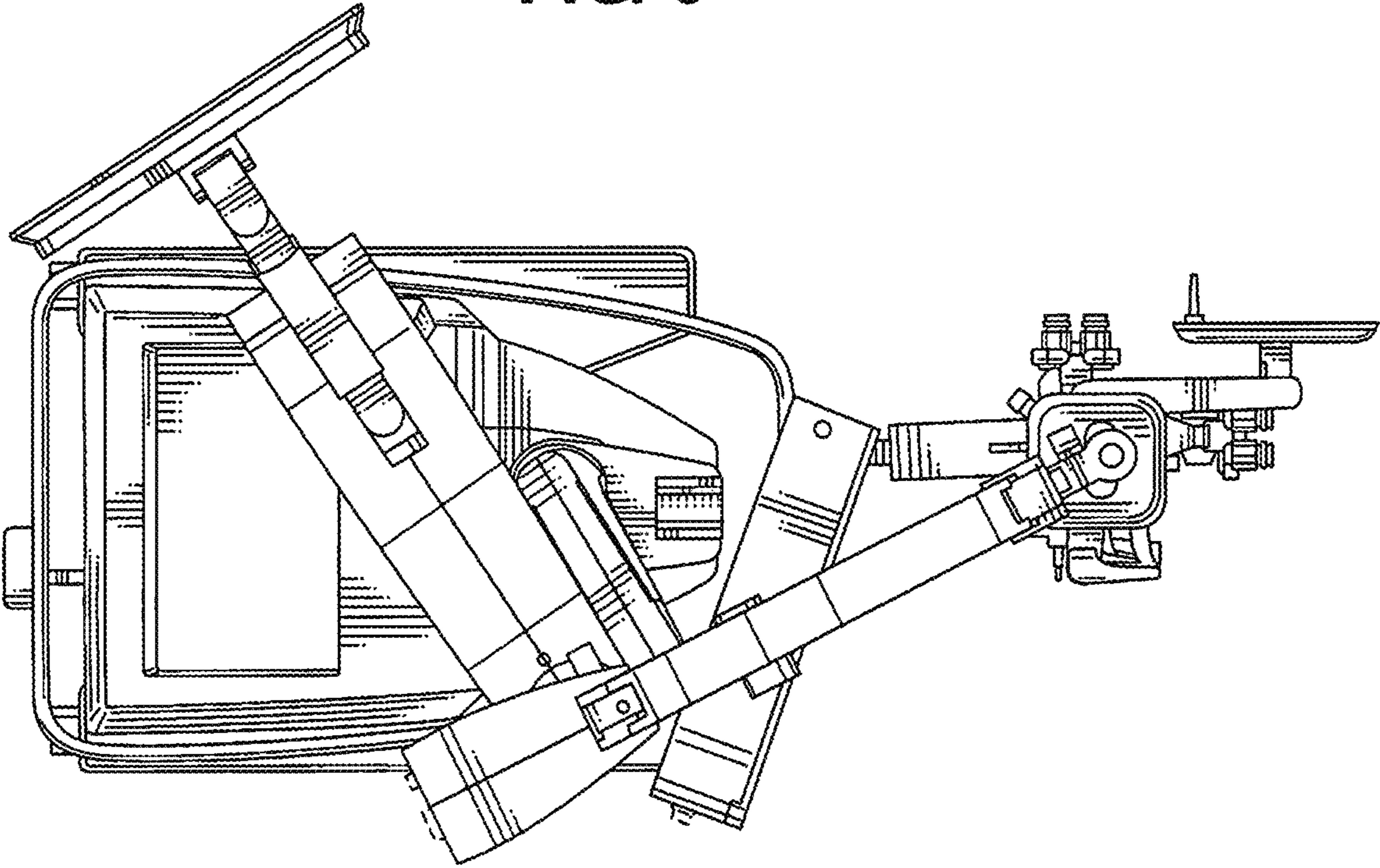


**FIG. 5**



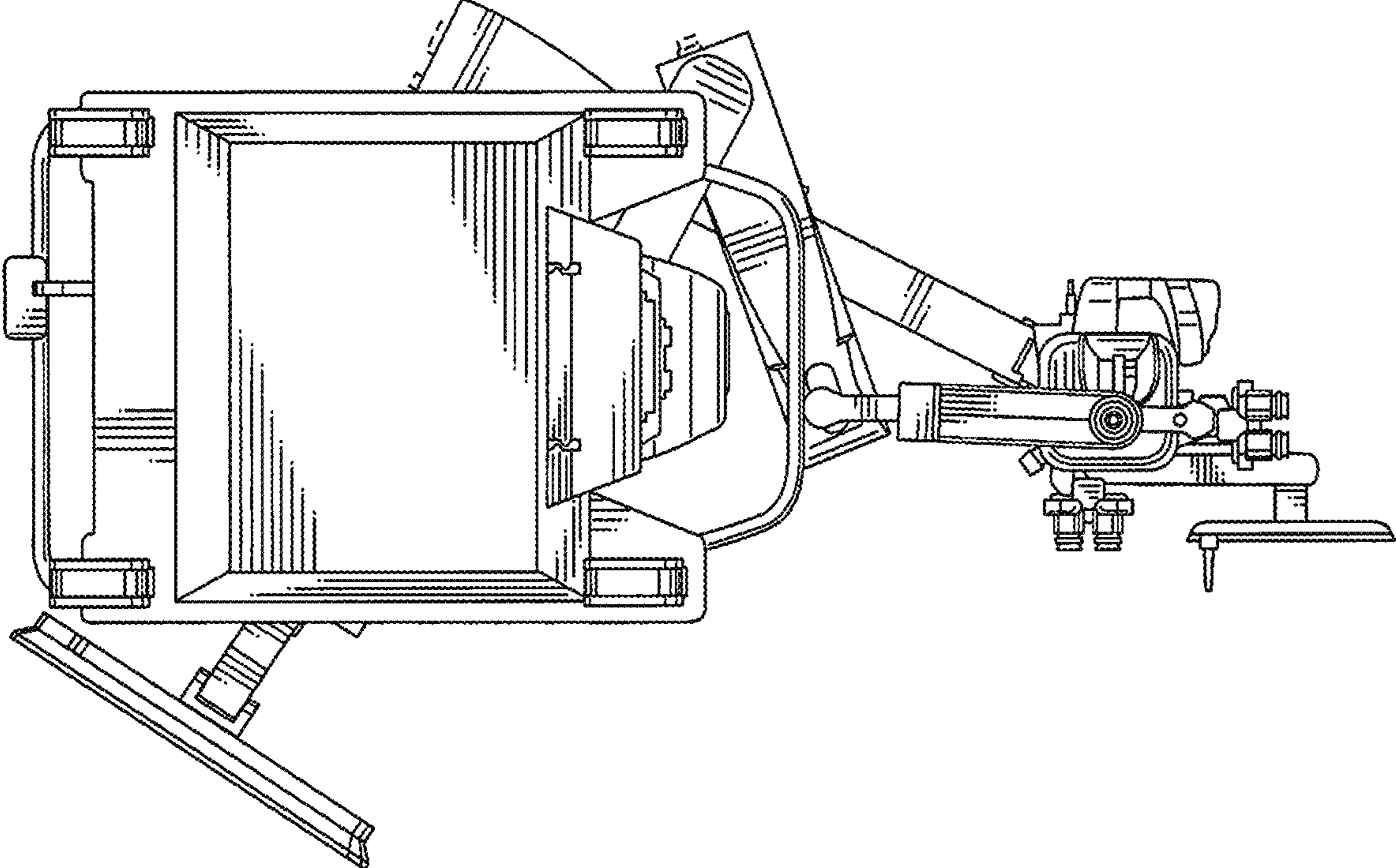


**FIG. 6**

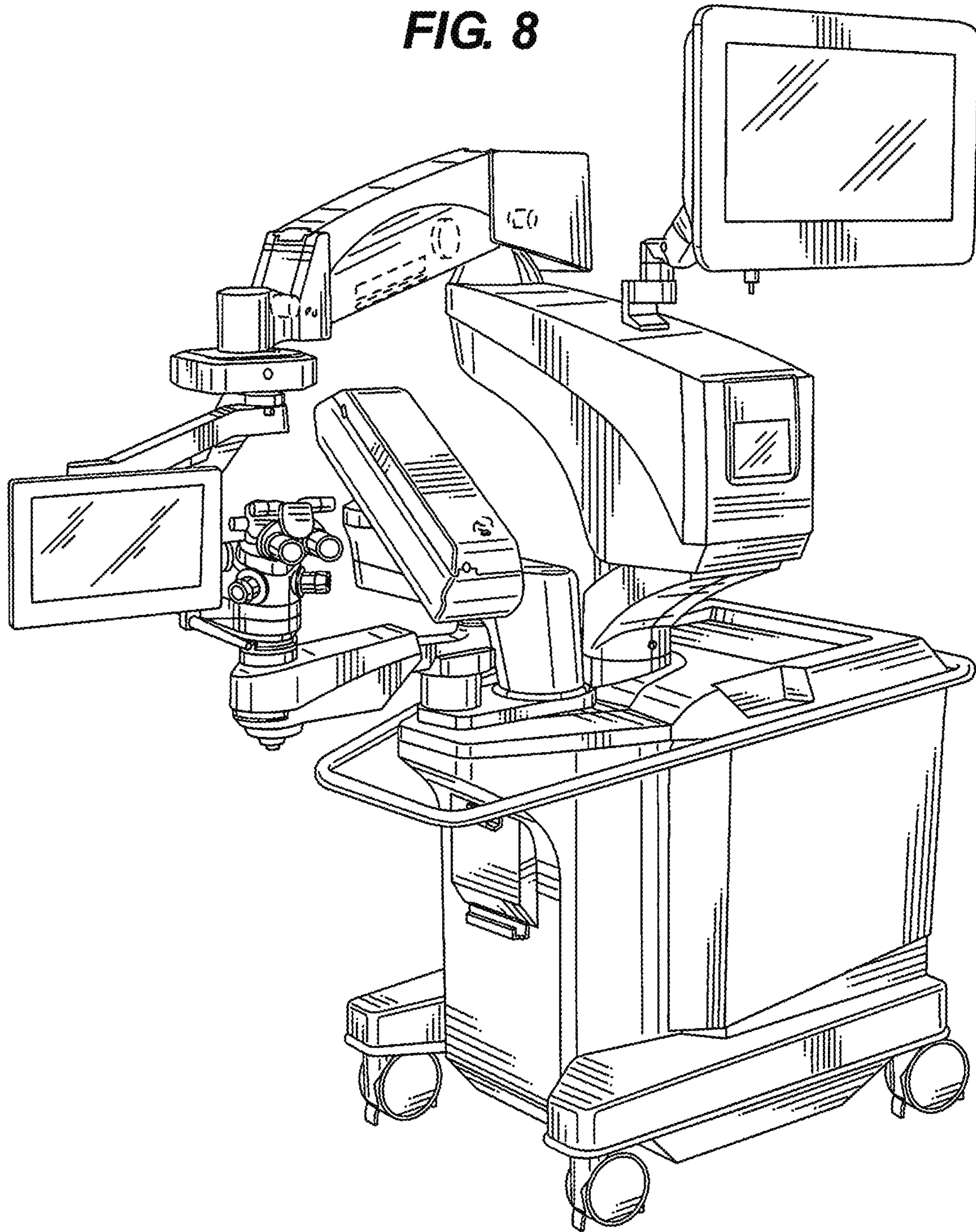




**FIG. 7**

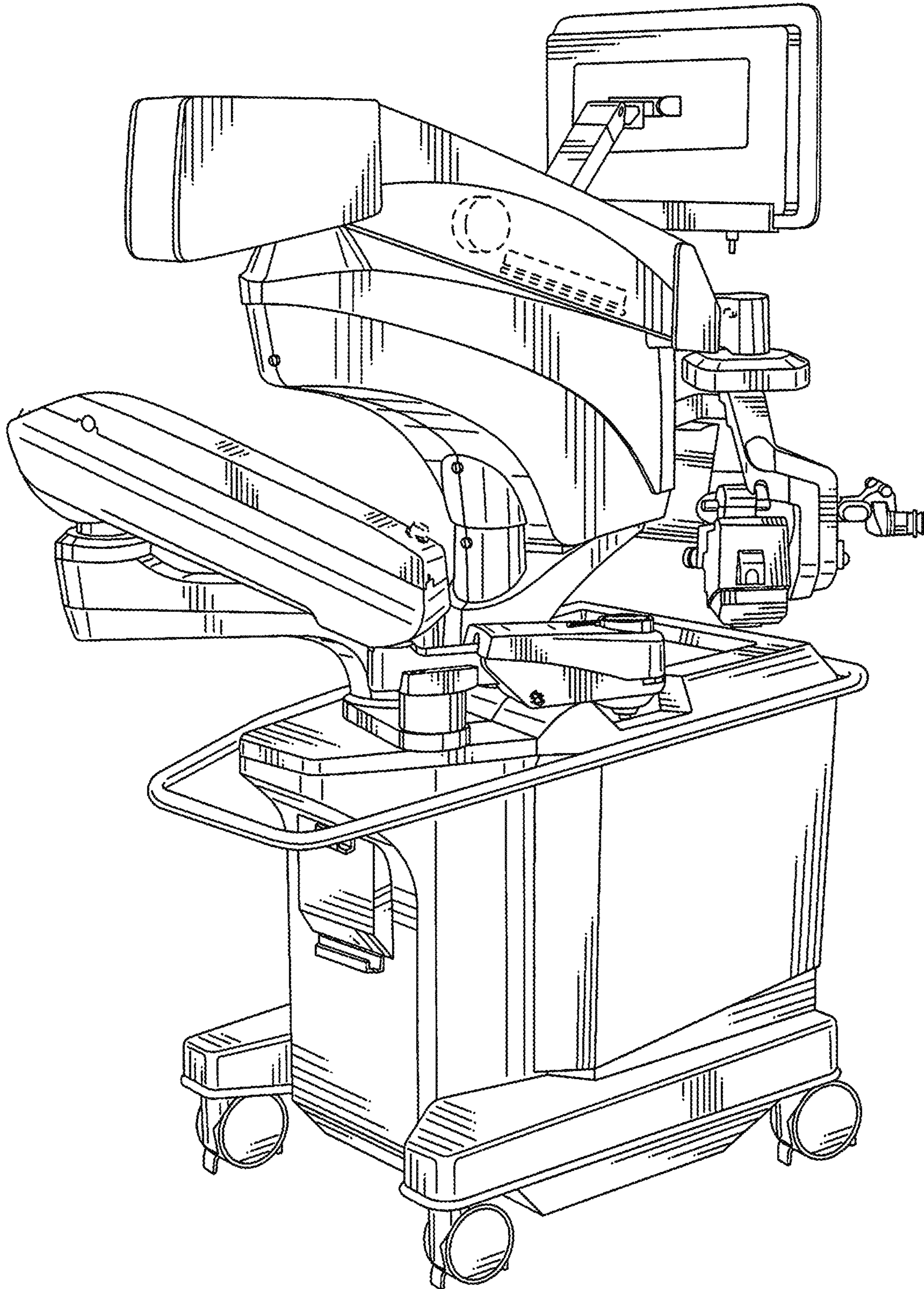


**FIG. 8**

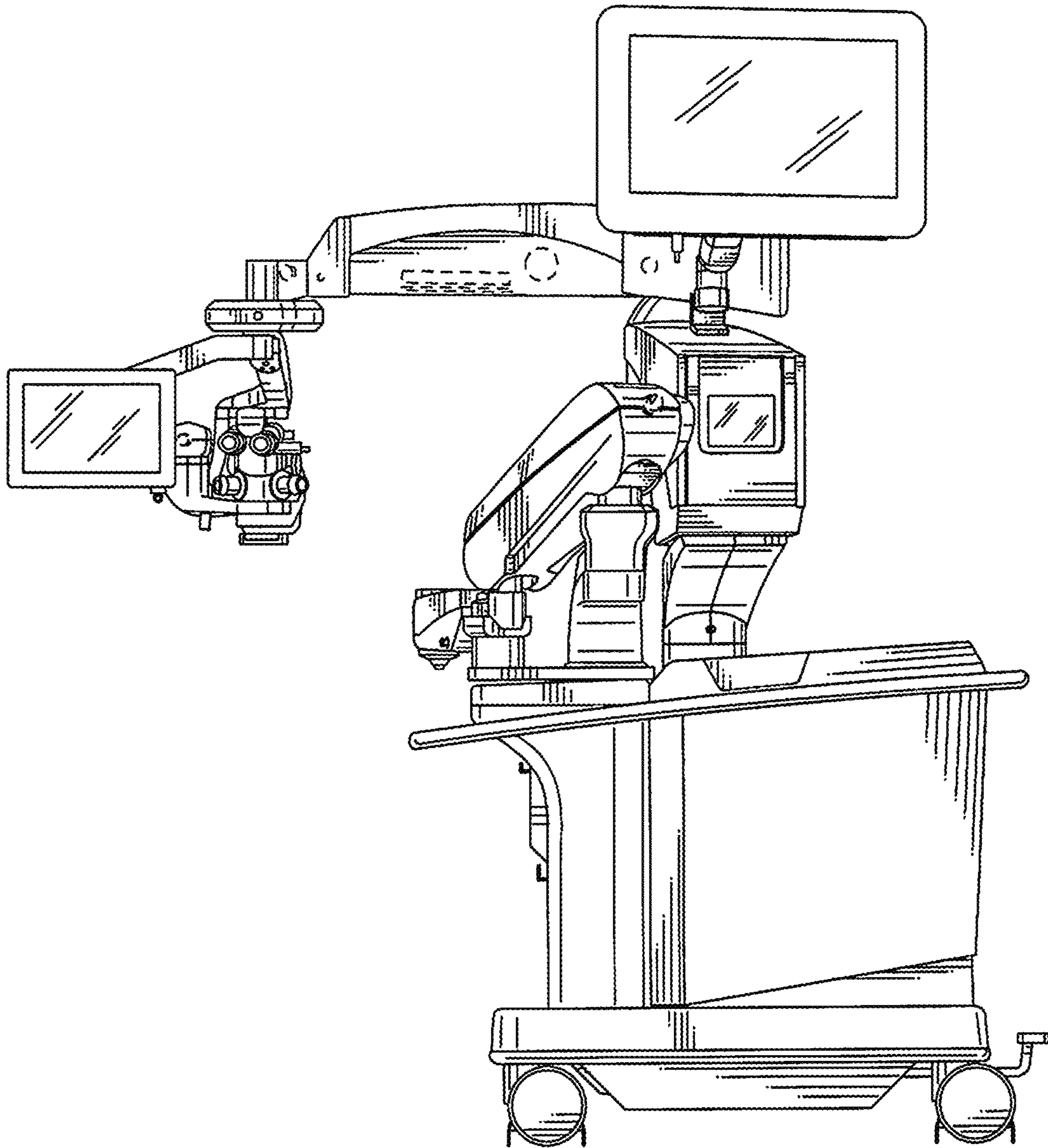




**FIG. 9**

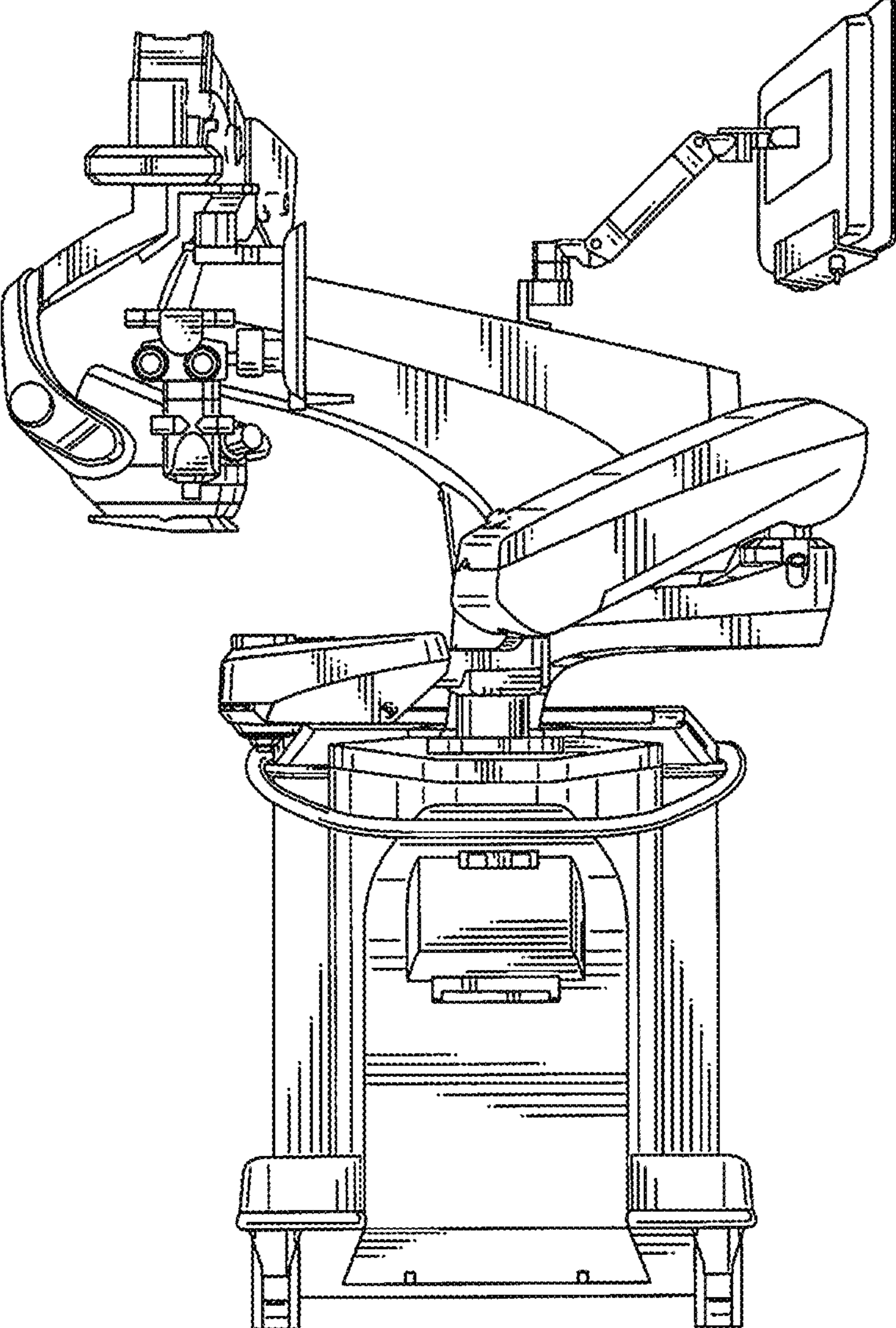


**FIG. 10**

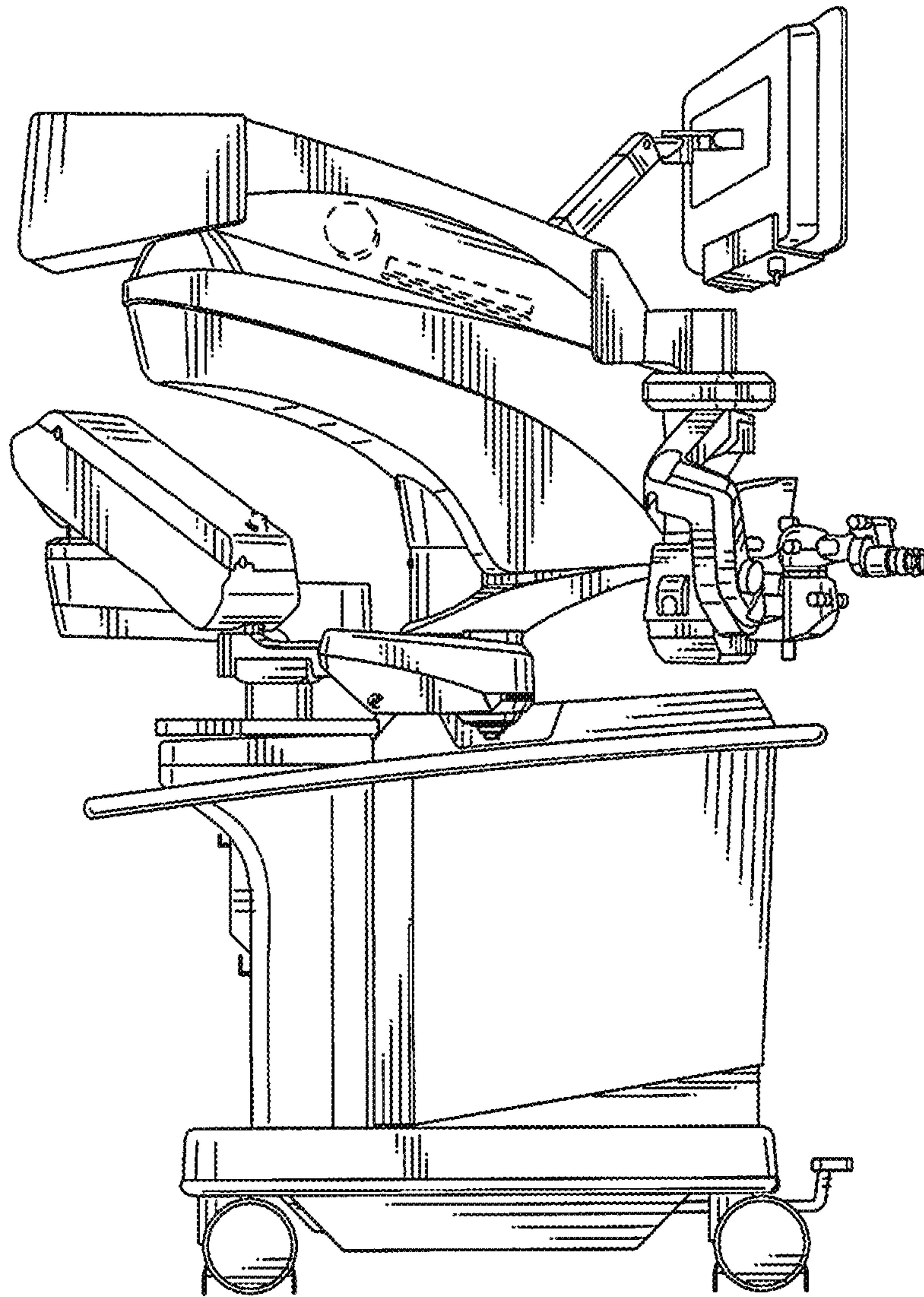




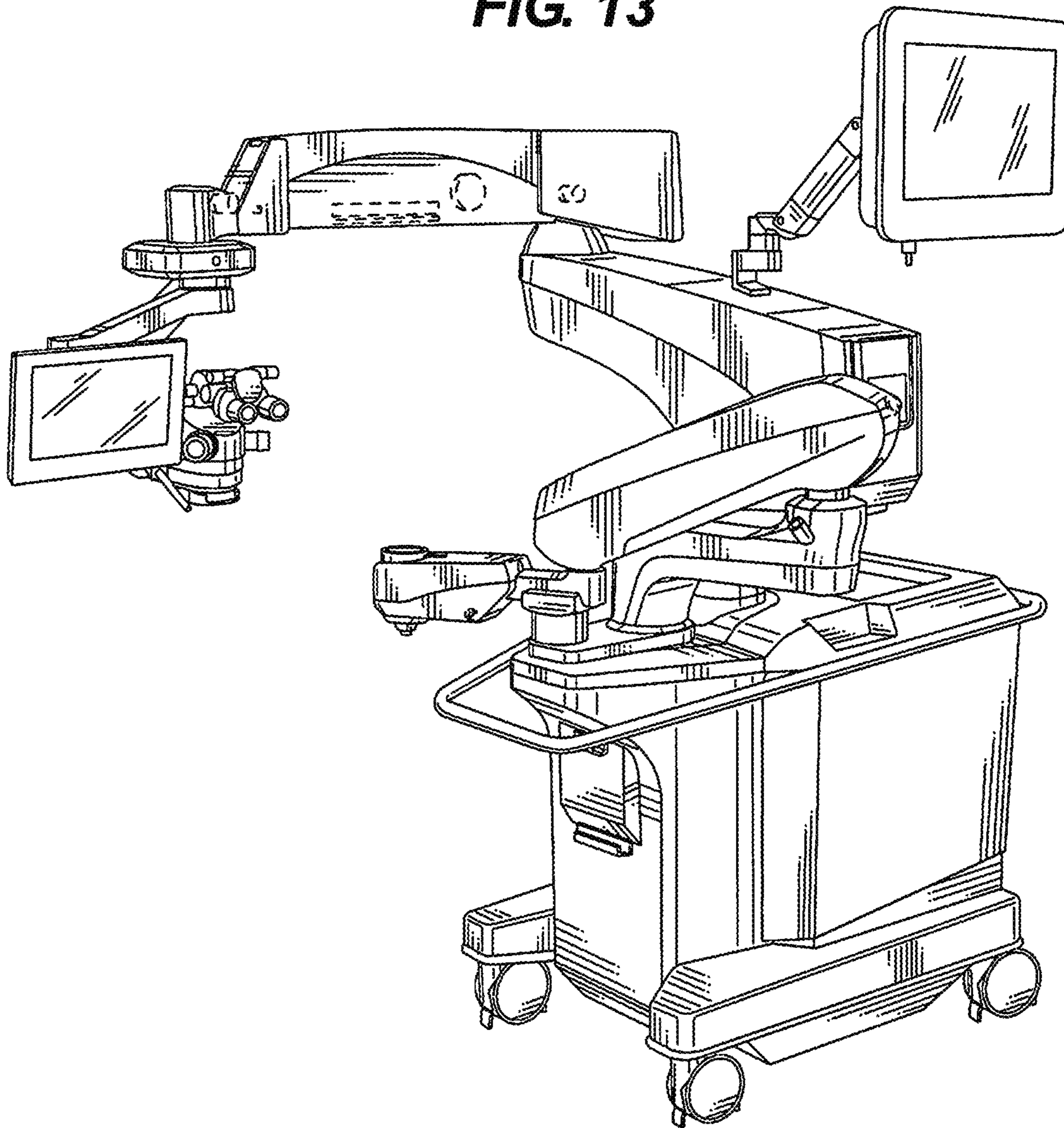
**FIG. 11**



**FIG. 12**

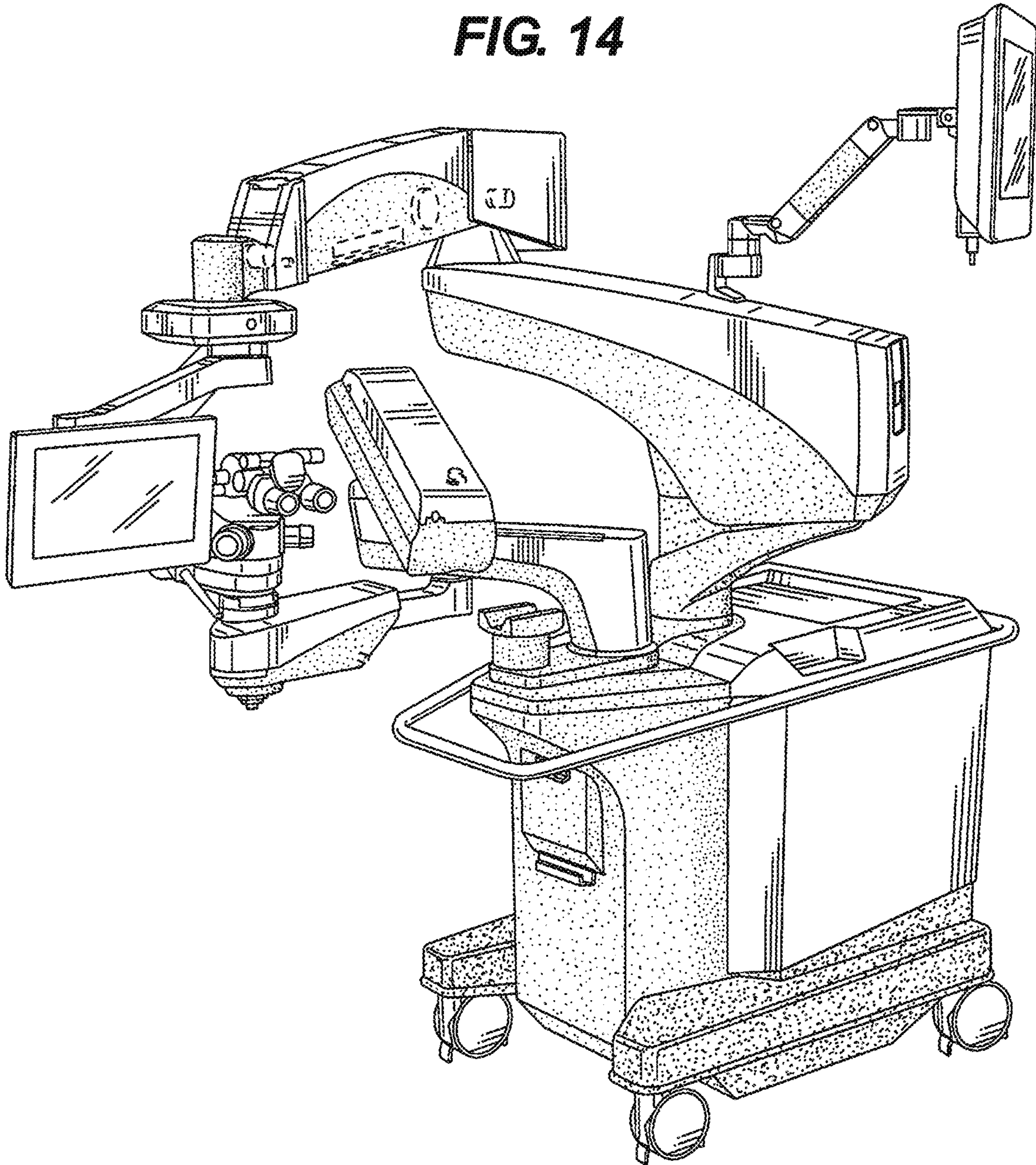


**FIG. 13**



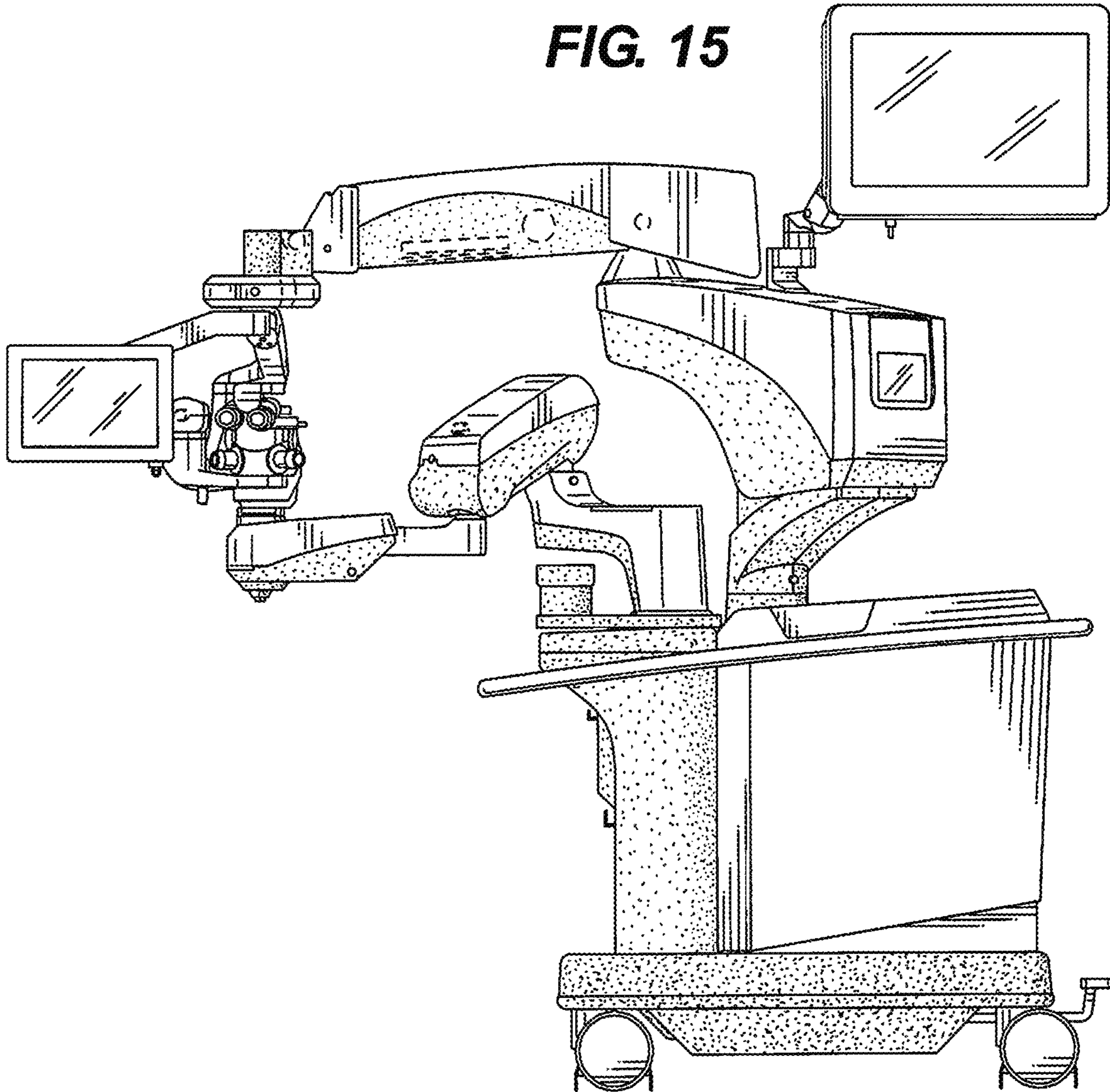


**FIG. 14**

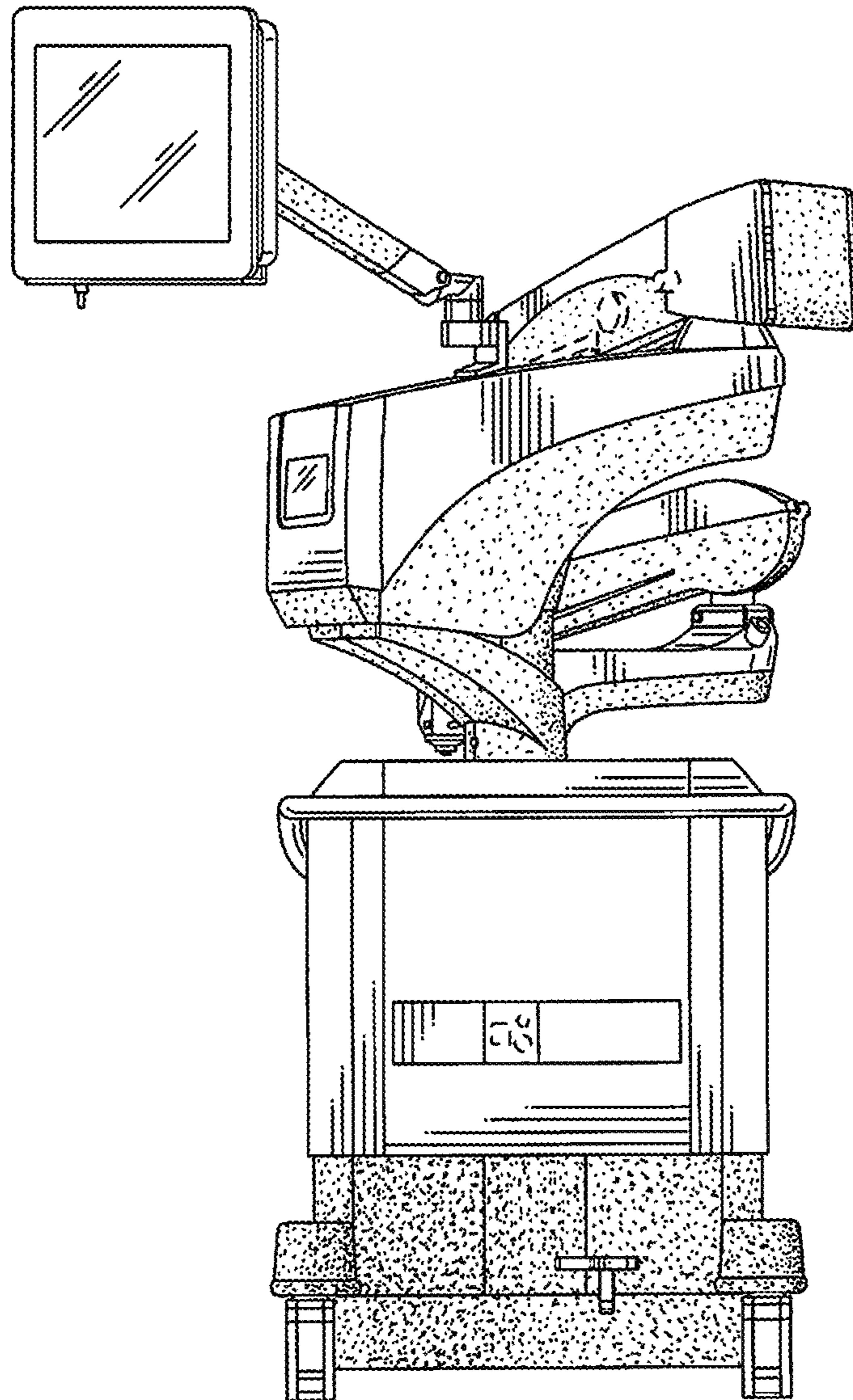




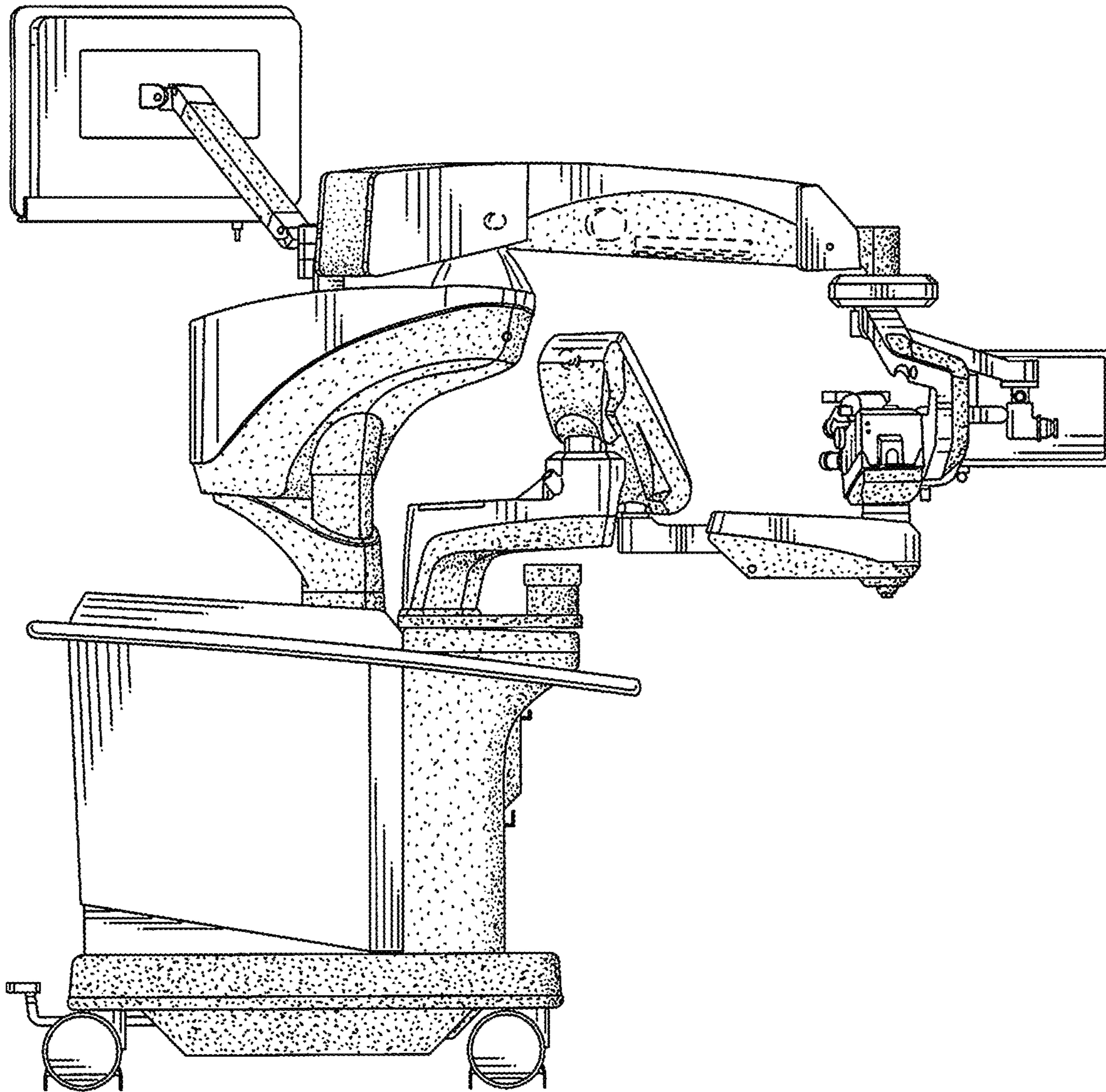
**FIG. 15**



**FIG. 16**

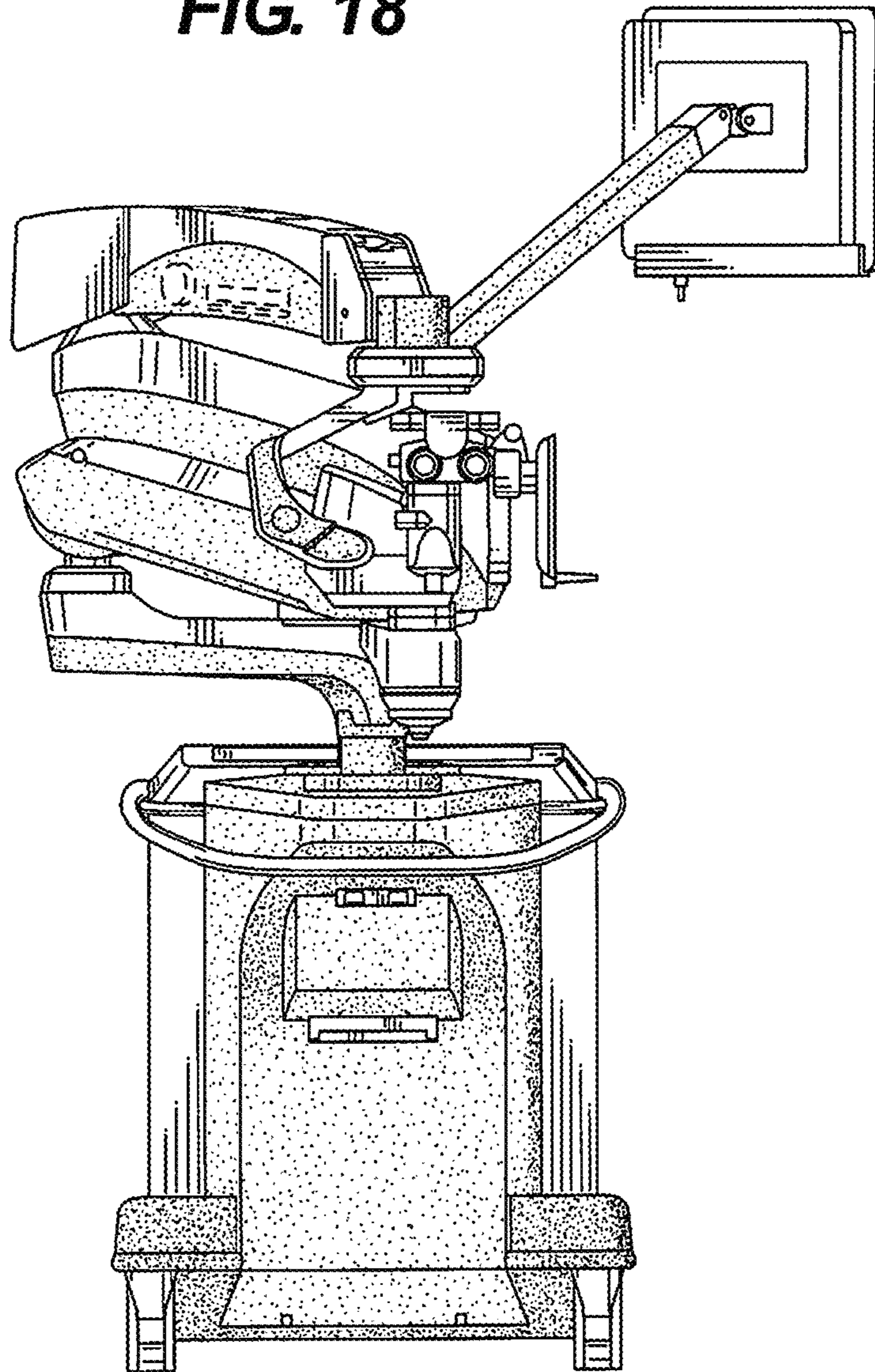


**FIG. 17**



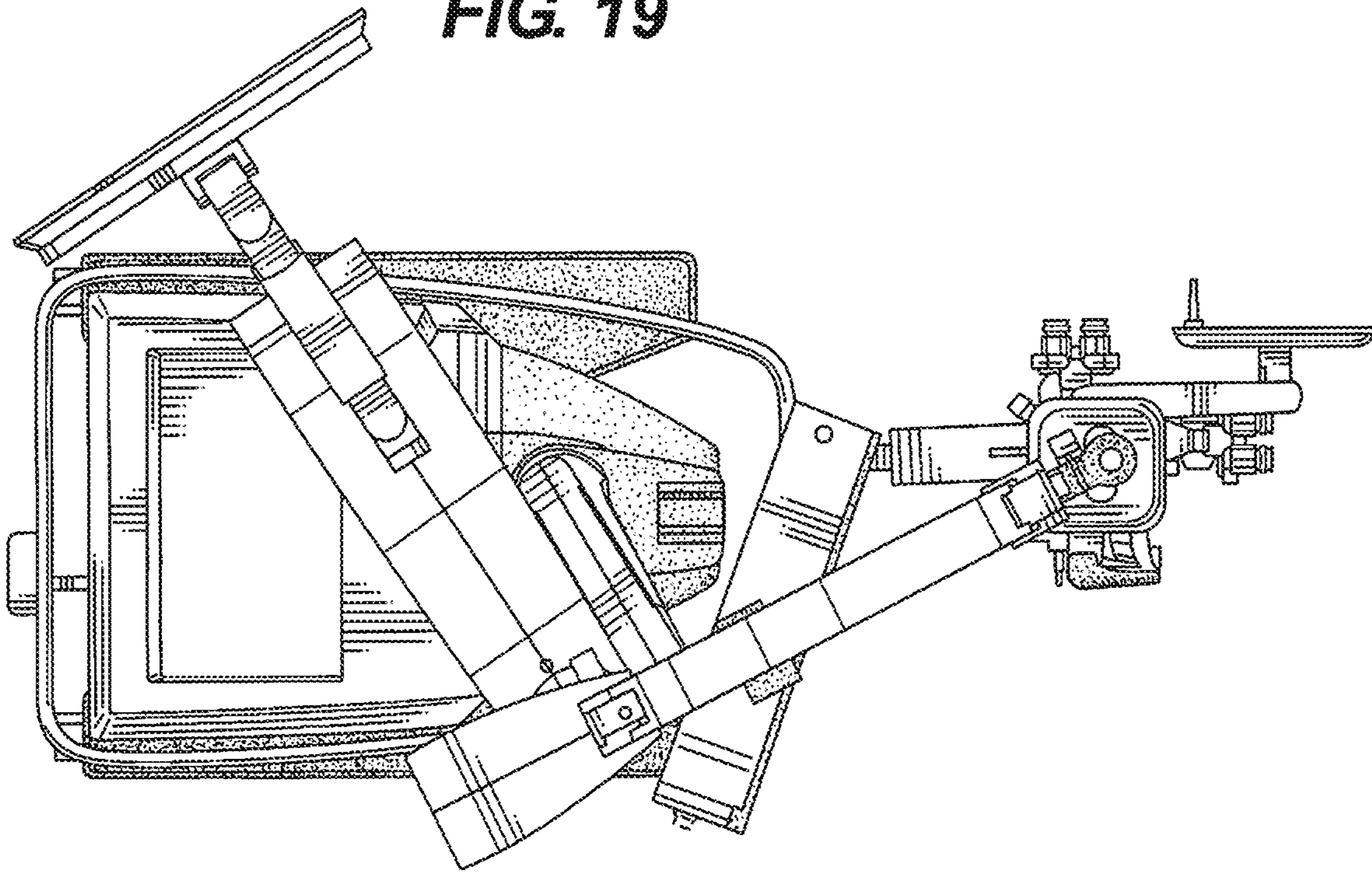


**FIG. 18**

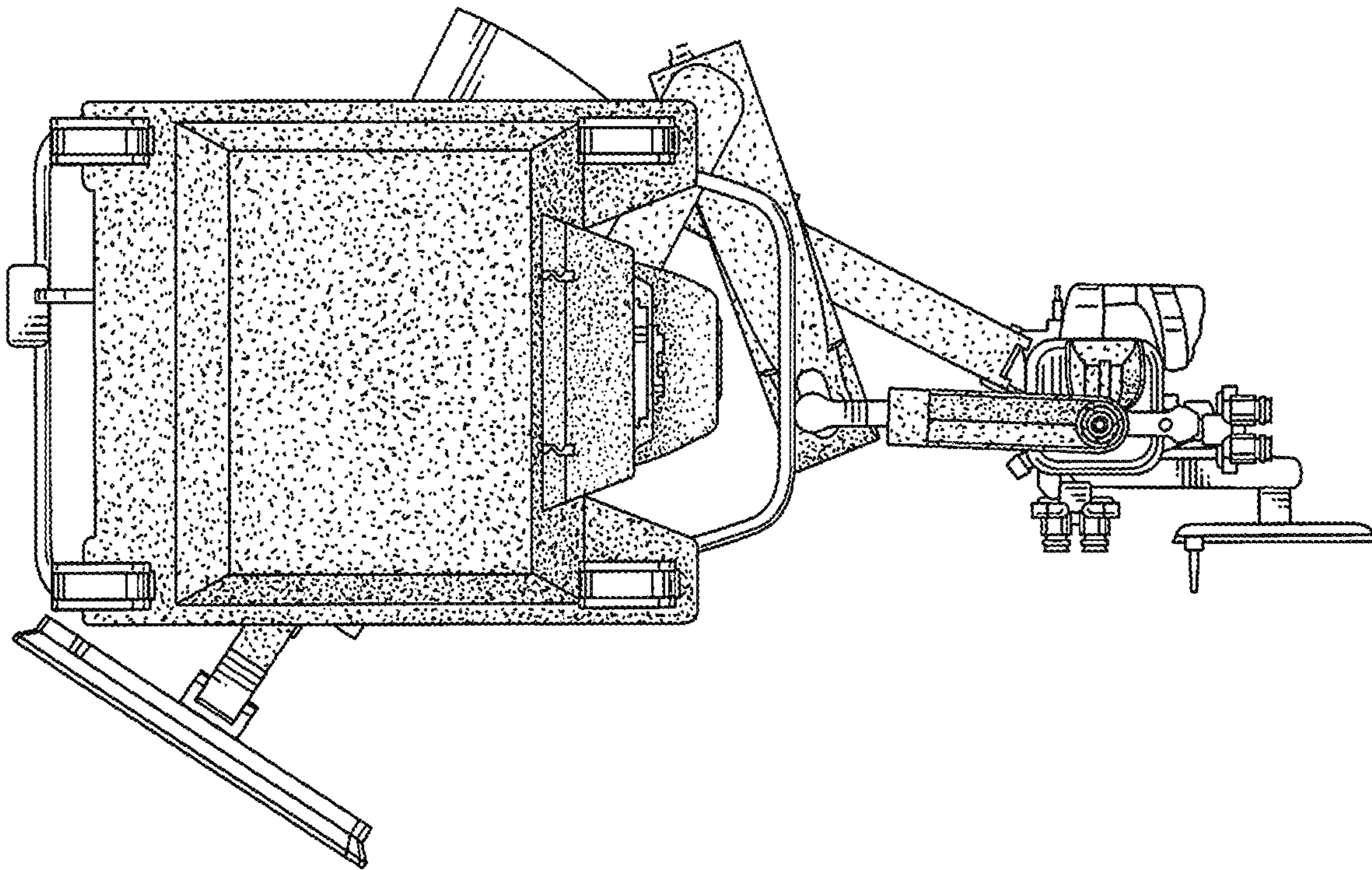




**FIG. 19**

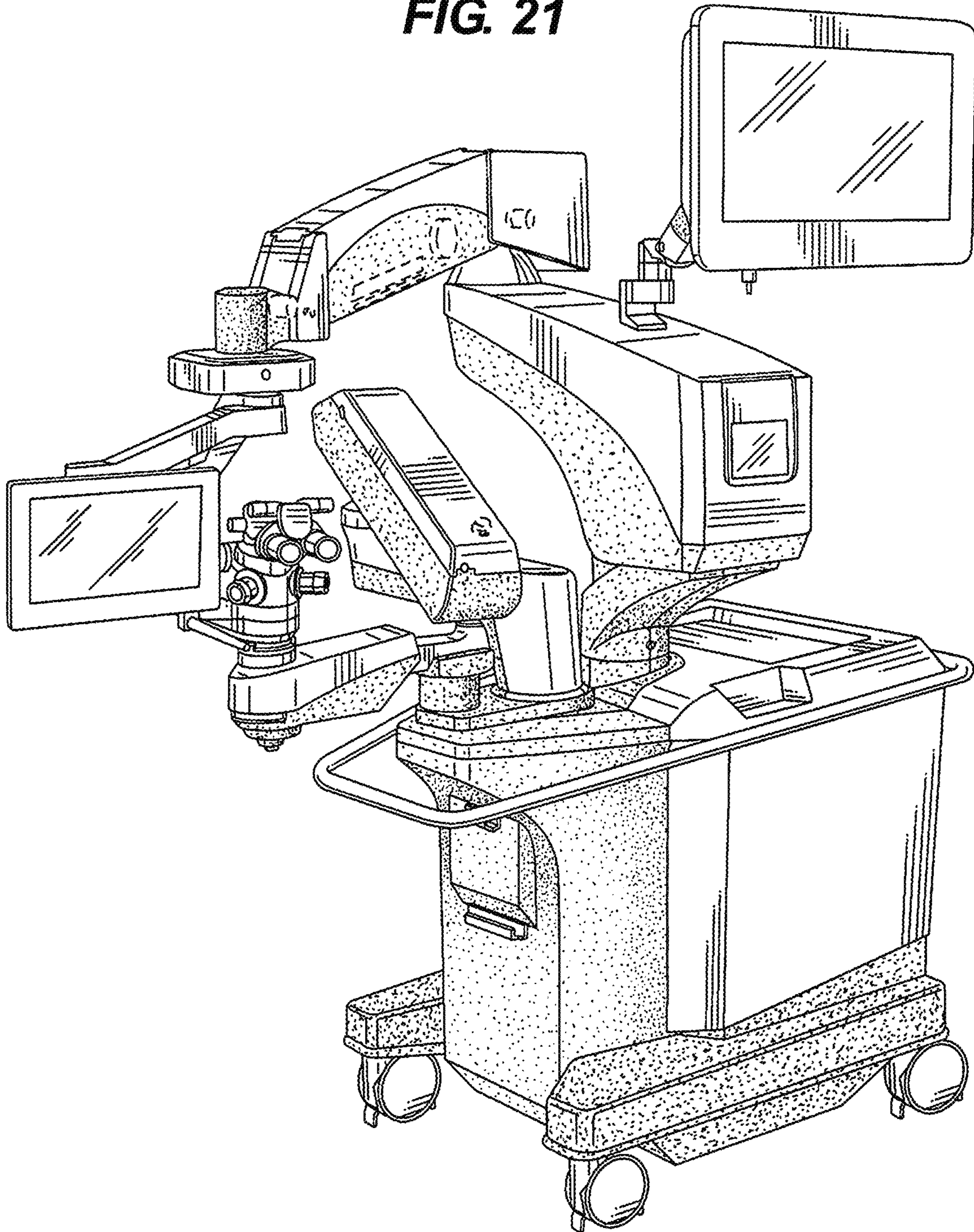


**FIG. 20**



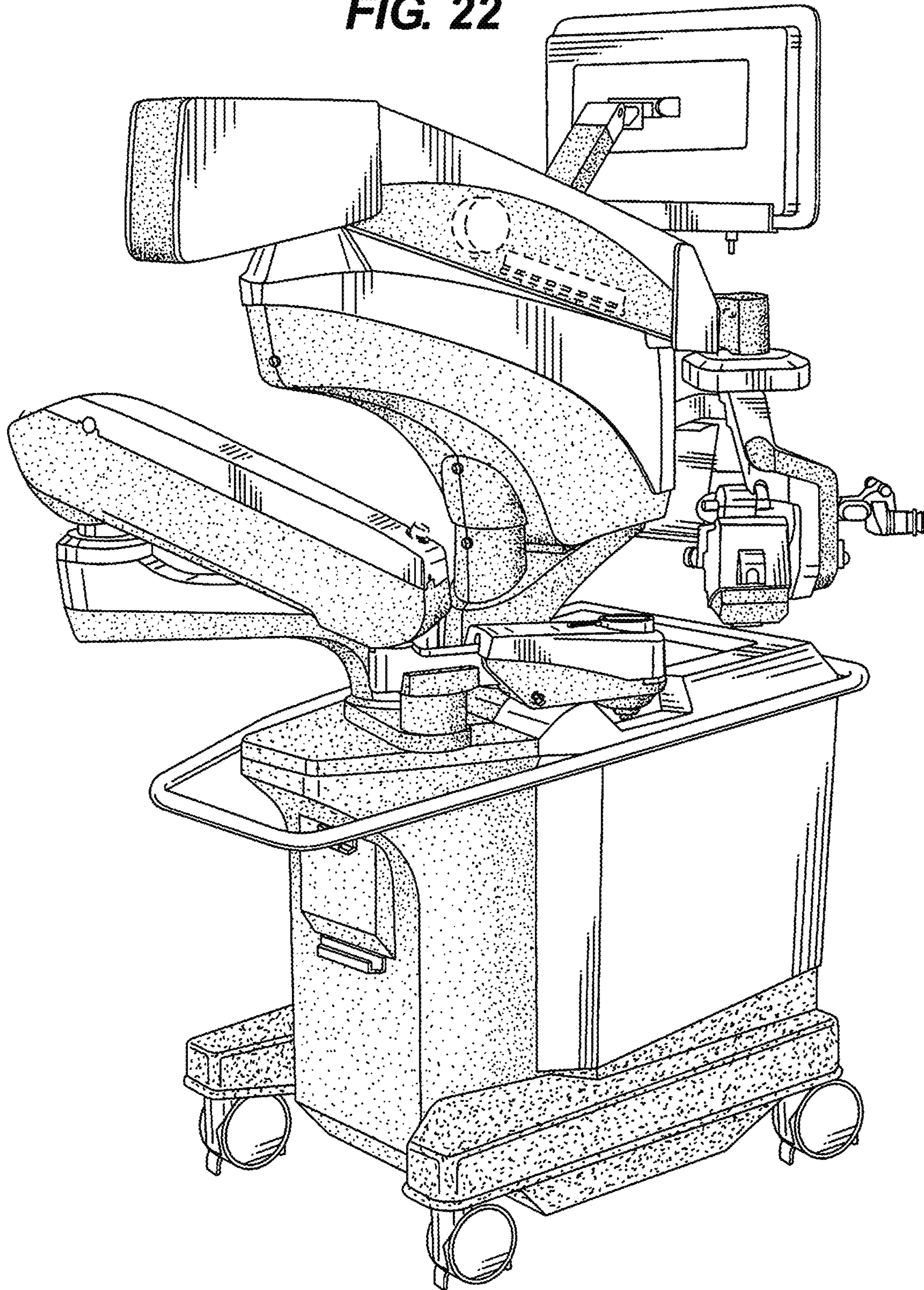


**FIG. 21**



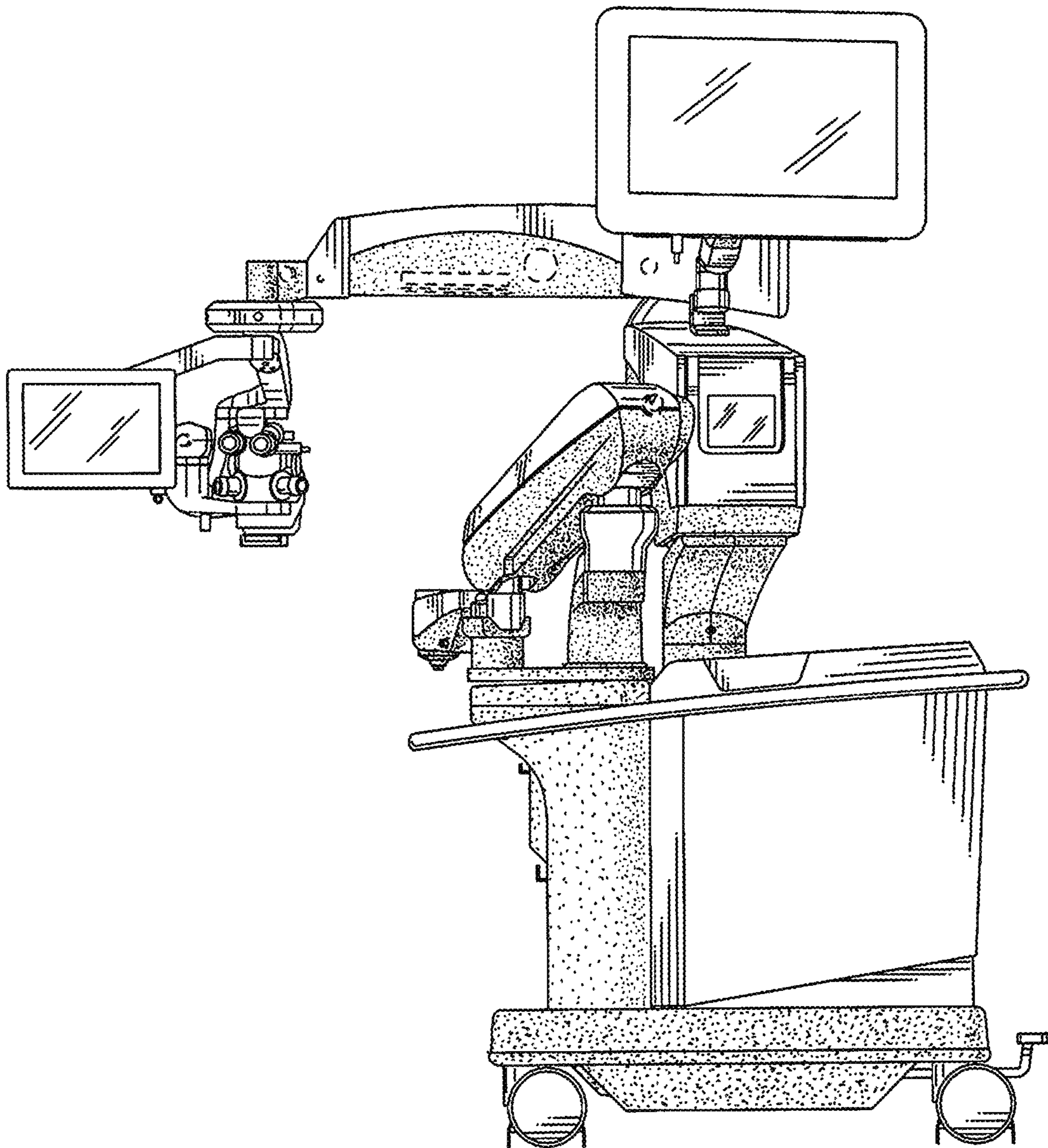


**FIG. 22**

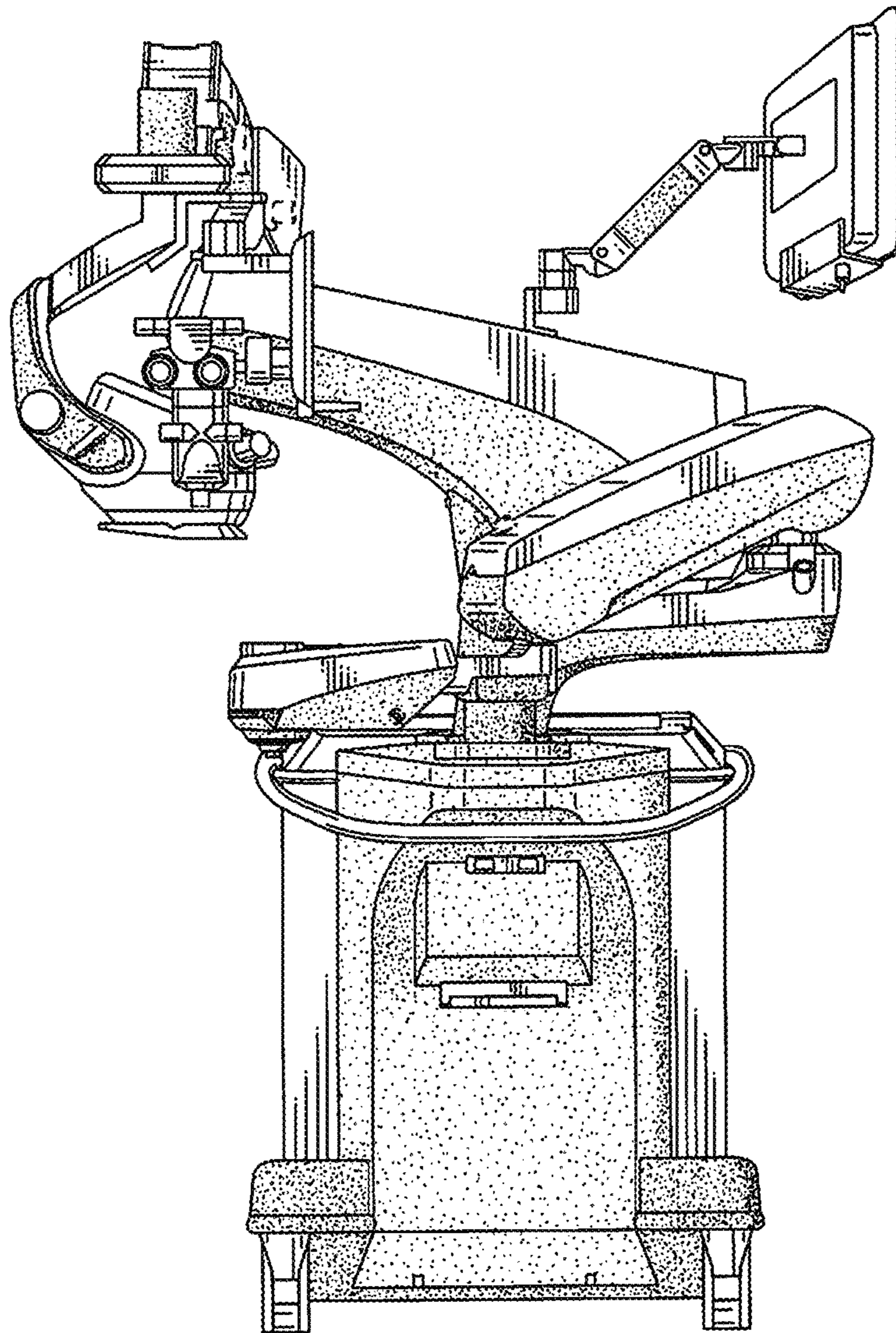




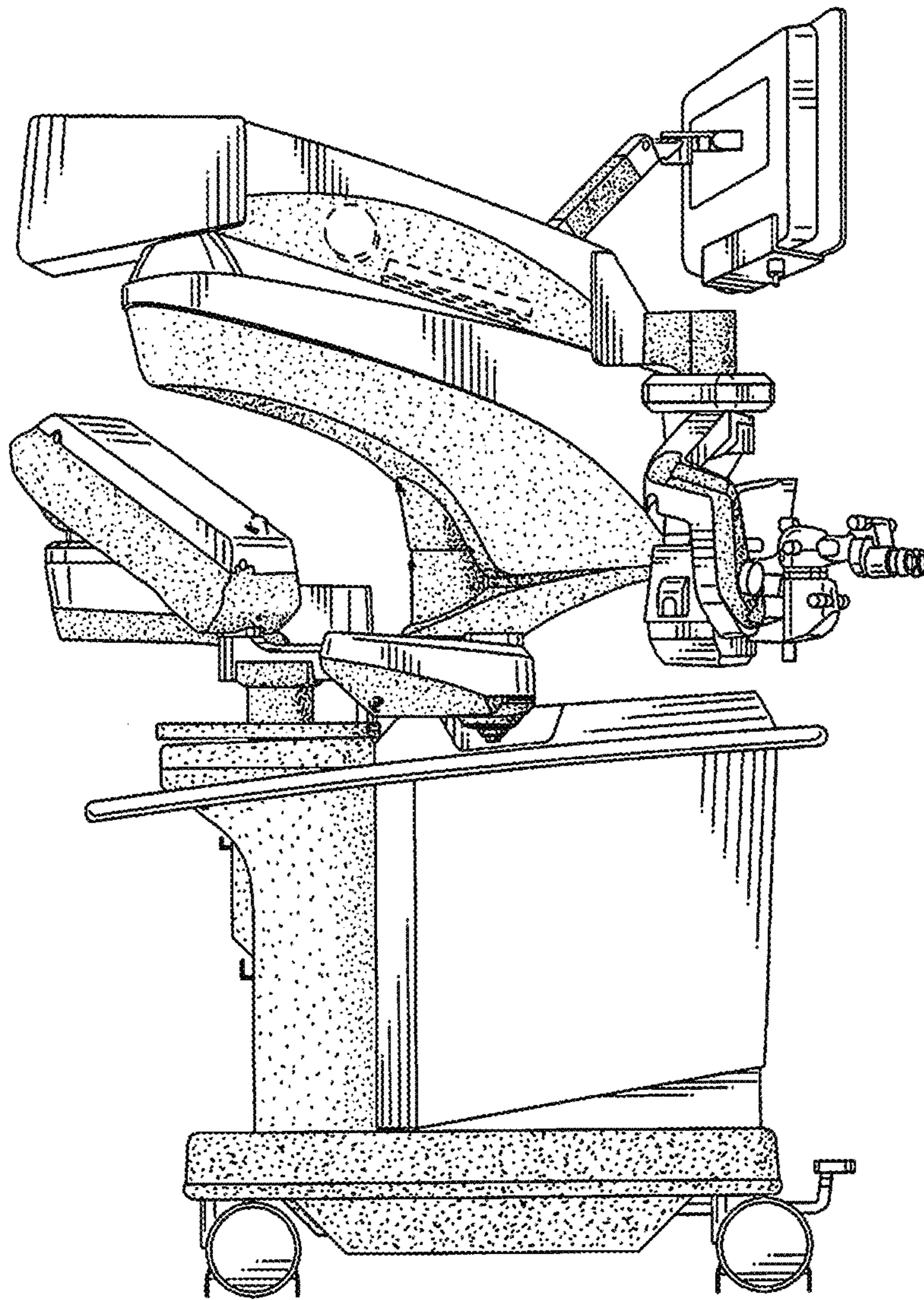
**FIG. 23**



**FIG. 24**



**FIG. 25**





**FIG. 26**

