



US00D875255S

(12) **United States Design Patent**  
**Wang et al.**

(10) **Patent No.:** **US D875,255 S**  
(45) **Date of Patent:** **\*\* Feb. 11, 2020**

(54) **RADIOFREQUENCY ABLATION PUMP**

(71) Applicant: **Avent, Inc.**, Alpharetta, GA (US)

(72) Inventors: **Ruoya Wang**, Decatur, GA (US);  
**Jennifer J. Barrett**, Alpharetta, GA (US);  
**Tyler W. Crone**, Atlanta, GA (US);  
**Craig F. Steinman**, Cumming, GA (US);  
**Kun-Chi Wu**, Johns Creek, GA (US)

(73) Assignee: **Avent, Inc.**, Alpharetta, GA (US)

(\*\*) Term: **15 Years**

(21) Appl. No.: **29/649,422**

(22) Filed: **May 30, 2018**

(51) **LOC (12) Cl.** ..... **24-02**

(52) **U.S. Cl.**  
USPC ..... **D24/170**

(58) **Field of Classification Search**  
USPC ..... D24/170, 164, 165, 186, 185, 231, 234,  
D24/110.5, 110.6

CPC A61B 2018/00577; A61B 2018/00583; A61B  
18/10; A61B 18/1206; A61B 18/1815;  
A61B 2018/1853; A61B 18/02; Y10S  
128/27; Y10T 137/9029

See application file for complete search history.

(56) **References Cited**

**U.S. PATENT DOCUMENTS**

5,334,181 A	8/1994	Rubinsky et al.	
D399,963 S *	10/1998	Mazess	D24/186
7,004,961 B2	2/2006	Wong et al.	
D531,728 S *	11/2006	Helgeson	D24/164
7,344,499 B1	3/2008	Prausnitz et al.	
D585,540 S *	1/2009	Lithgow	D24/110

(Continued)

**FOREIGN PATENT DOCUMENTS**

EM	002197871-0001	*	4/2013
EM	002518472-0002	*	10/2014

(Continued)

**OTHER PUBLICATIONS**

Avanos Pain Management. Link: <https://avanospainmanagement.com/product-catalog/chronic-pain/radiofrequency-probe-kits/coolief-multi-cooled-radiofrequency-kit/tda-ppu-1-coolief-c%E2%80%A6>. Visited Jan. 28, 2019. COOLIEF\_ Cooled Radiofrequency Peristaltic Pump Unit. (Year: 2019).\*

*Primary Examiner* — Susan Bennett Hattan

*Assistant Examiner* — Lauren D McVey

(74) *Attorney, Agent, or Firm* — Dority & Manning, P.A.

(57) **CLAIM**

The ornamental design for a radiofrequency ablation pump, as shown and described.

**DESCRIPTION**

FIG. 1 is a perspective view of a radio frequency ablation pump, showing our new design;

FIG. 2 is a top view of the radiofrequency ablation pump of FIG. 1;

FIG. 3 is a front view of the radiofrequency ablation pump of FIG. 1;

FIG. 4 is a side view of the radiofrequency ablation pump of FIG. 1;

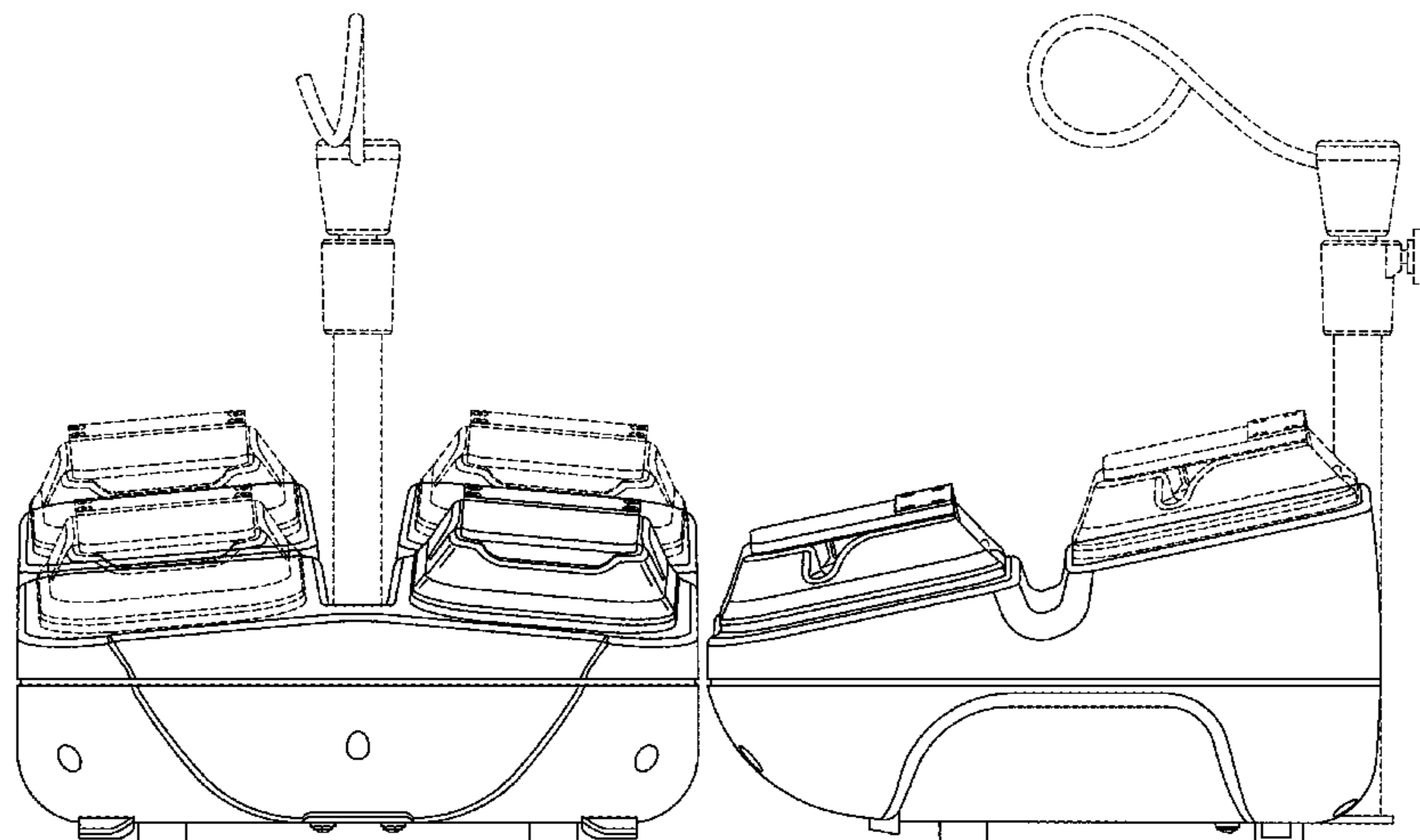
FIG. 5 is another side view of the radiofrequency ablation pump of FIG. 1;

FIG. 6 is a rear view of the radiofrequency ablation pump of FIG. 1; and,

FIG. 7 is a bottom view of the radiofrequency ablation pump of FIG. 1.

The claimed design comprises the elements shown in solid lines. The broken lines immediately adjacent to the shaded areas and adjacent to unshaded regions, represent the bounds of the claimed design while all other broken lines are directed to environment. The broken lines form no part of the claimed design.

**1 Claim, 7 Drawing Sheets**





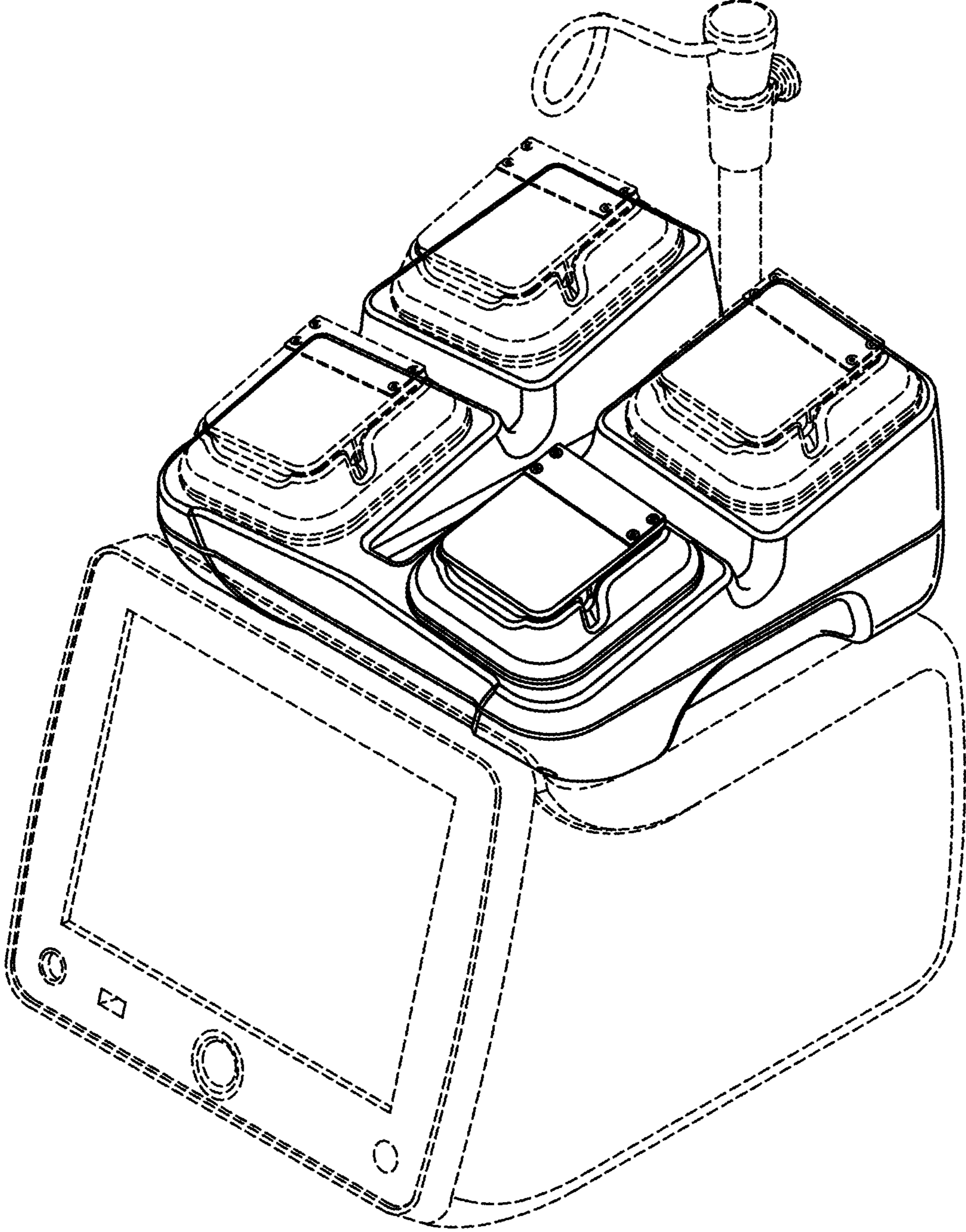


FIG. 1



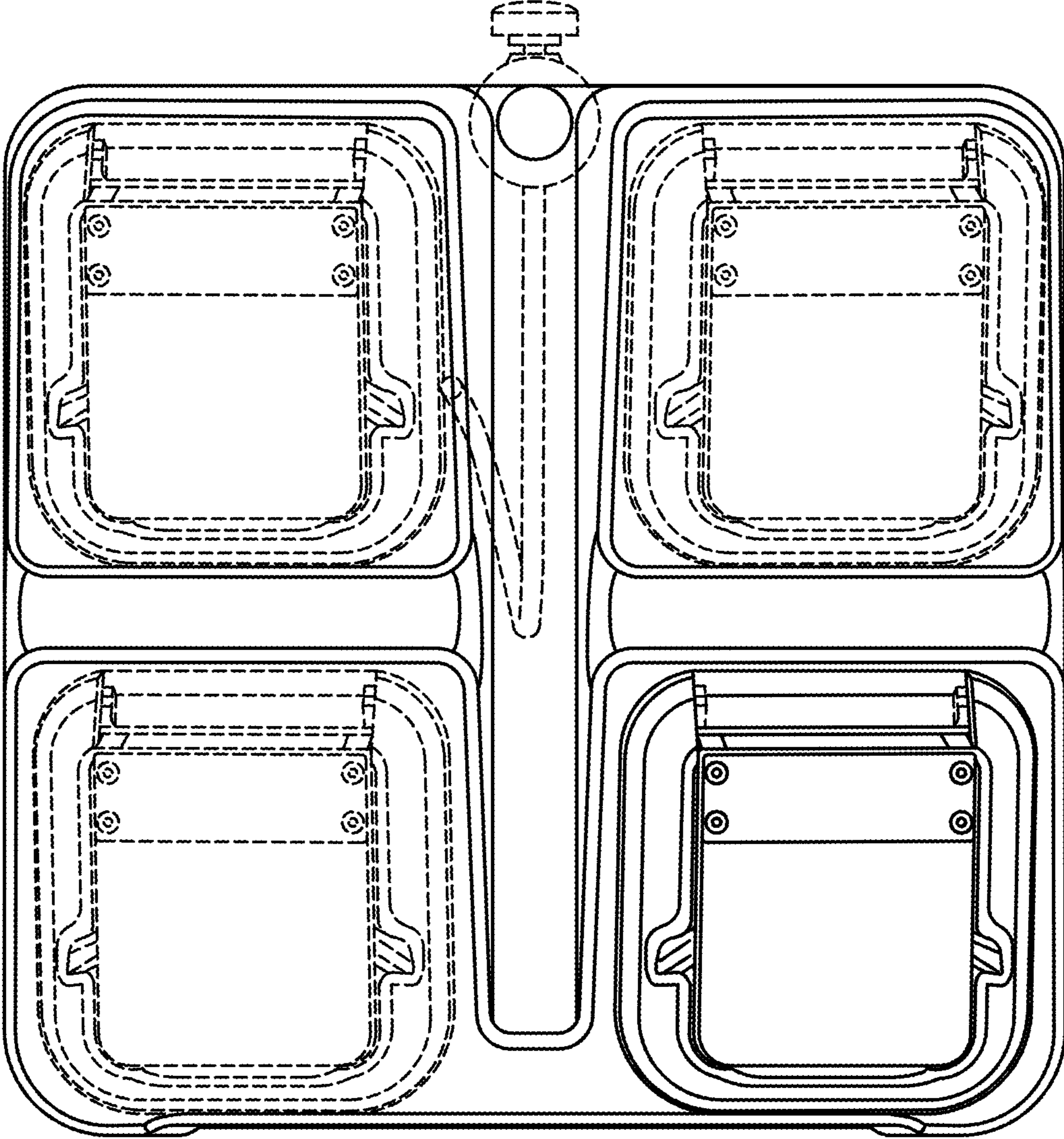


FIG. 2

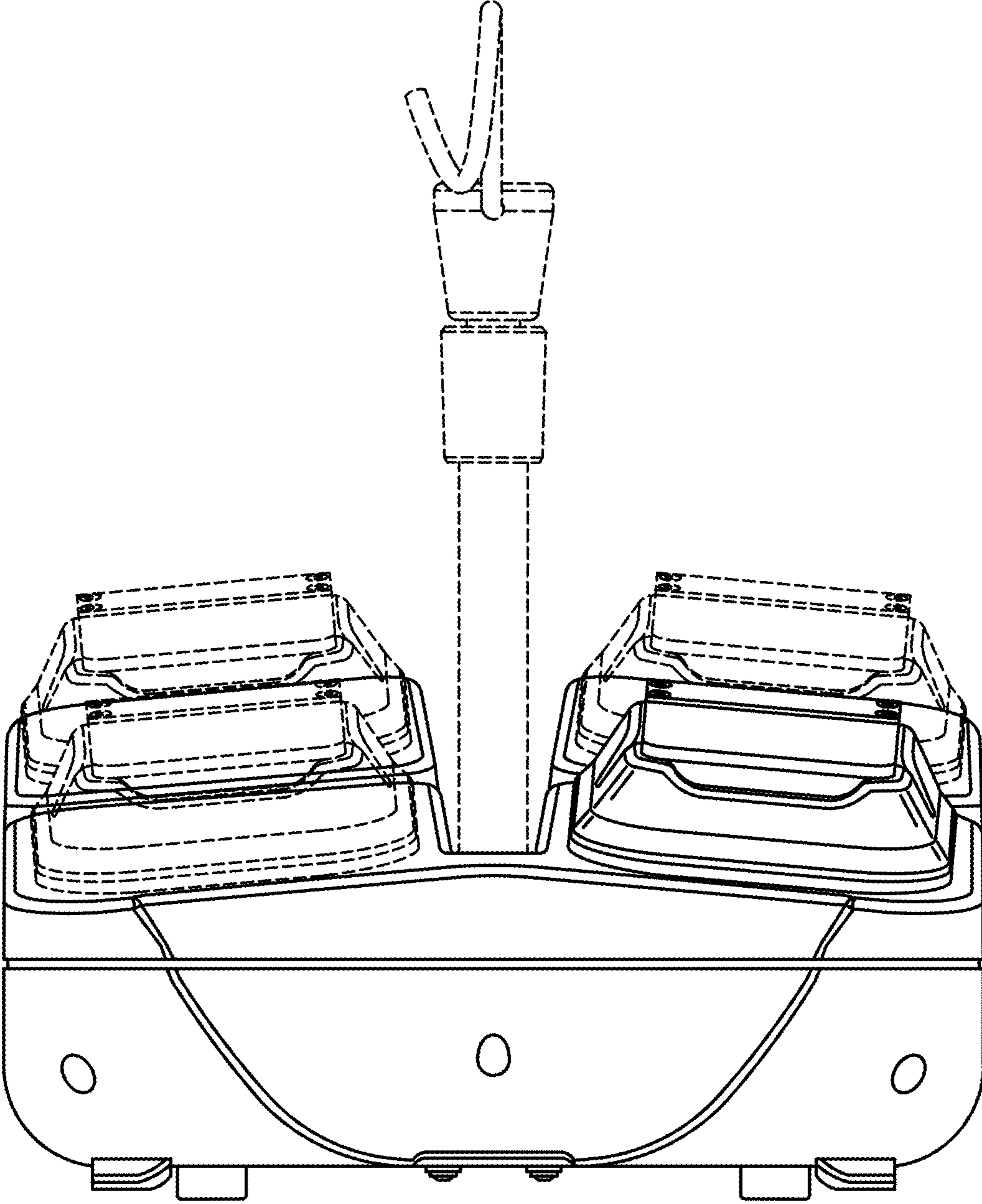


FIG. 3

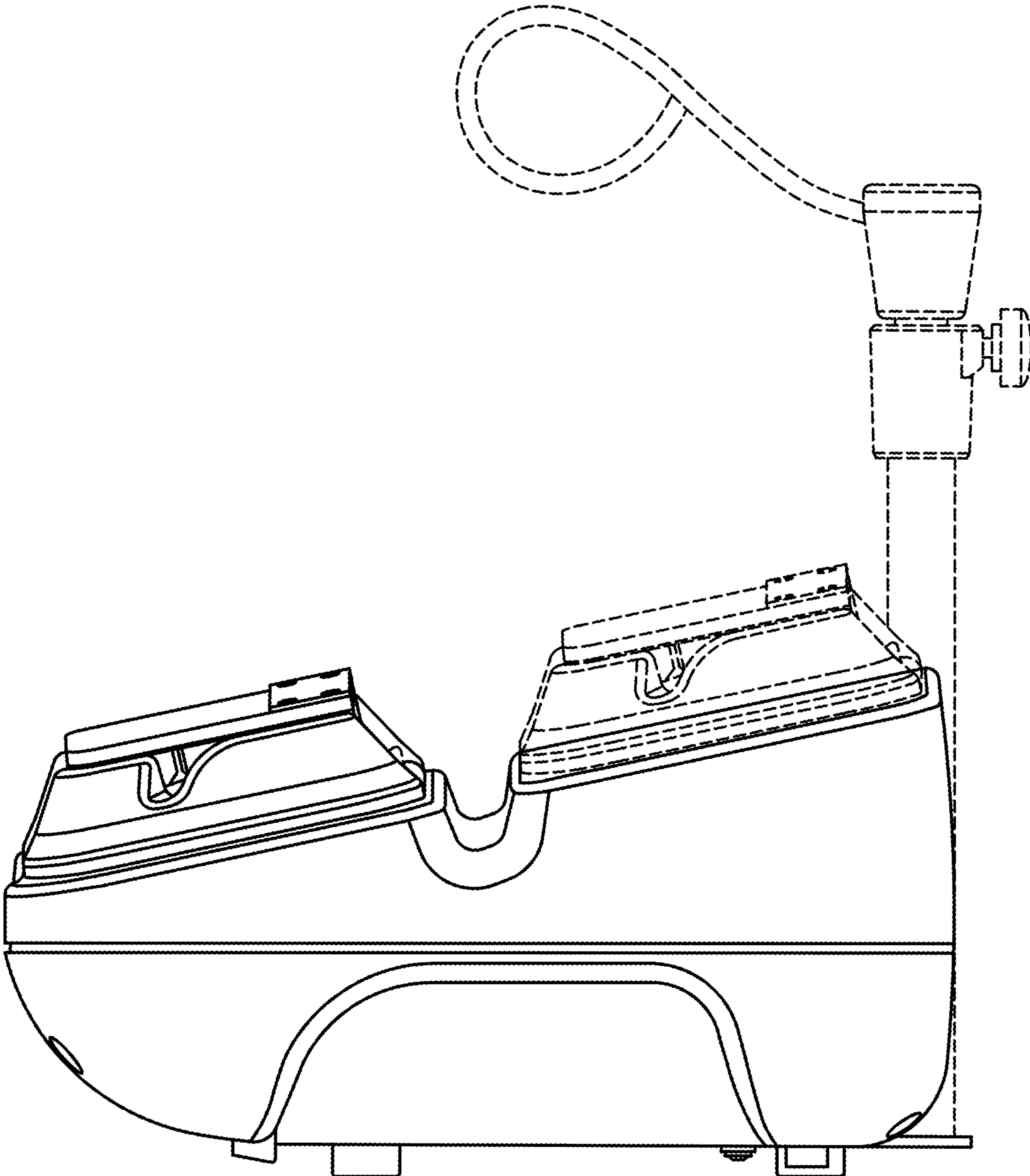


FIG. 4

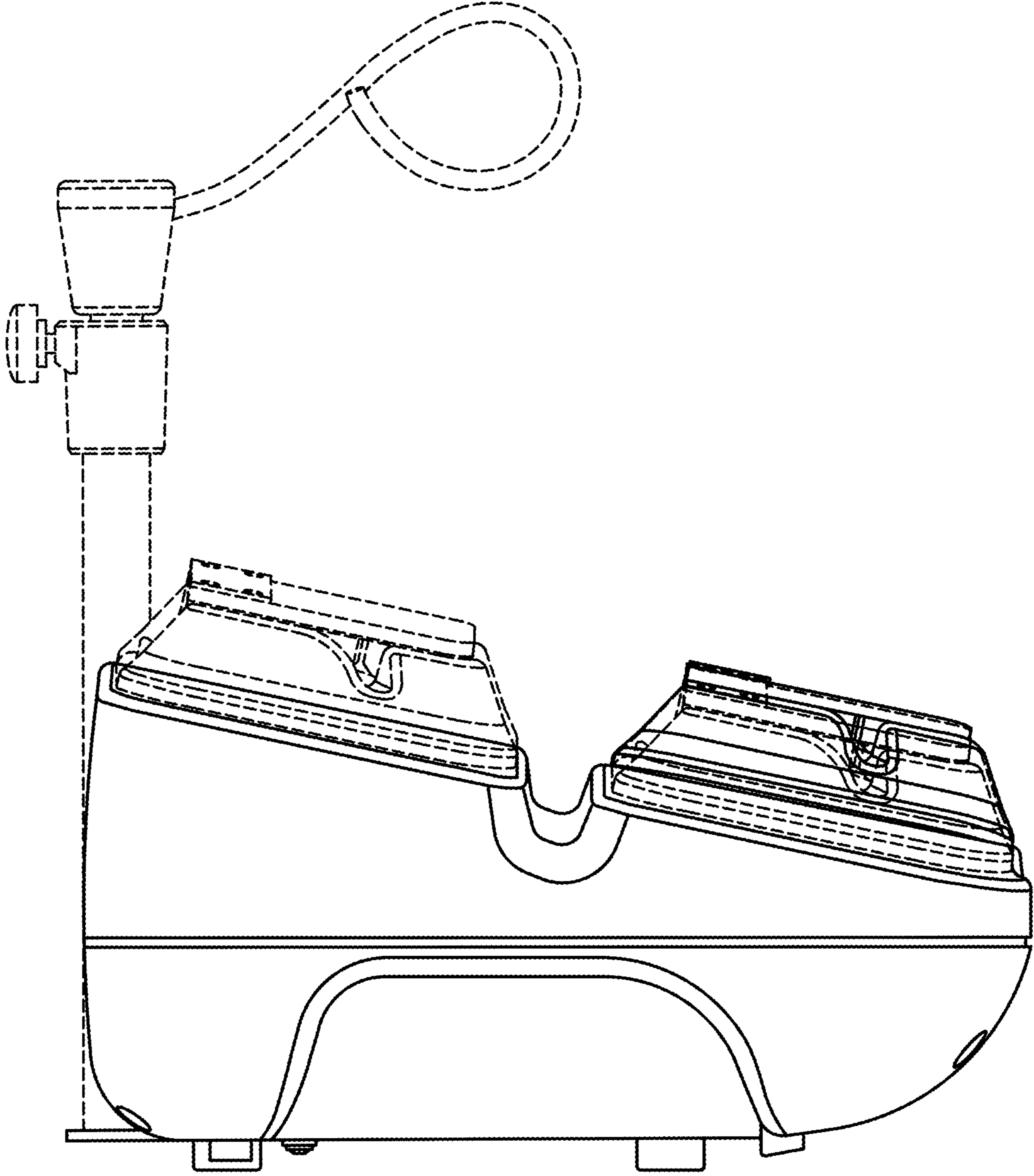


FIG. 5

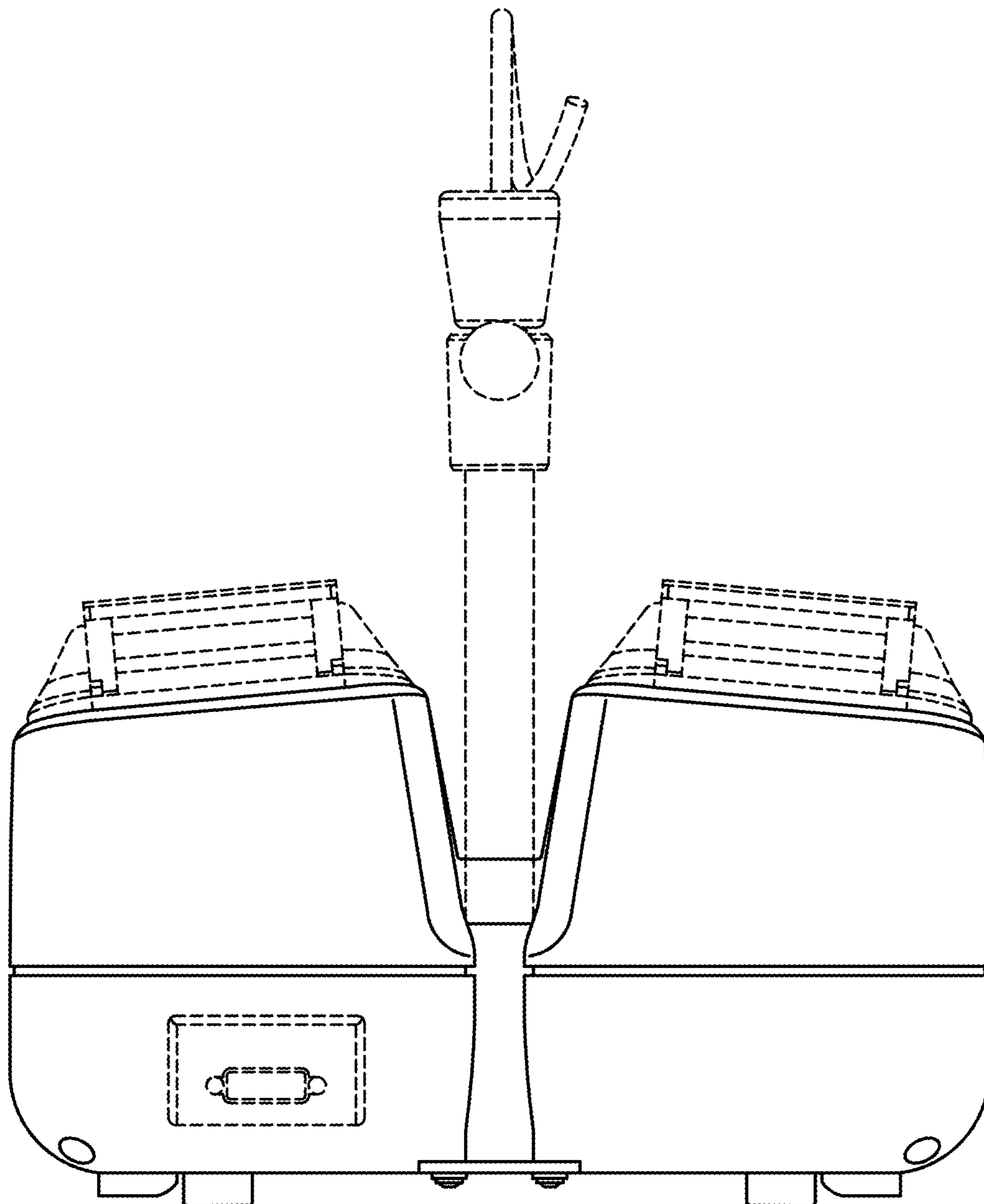


FIG. 6



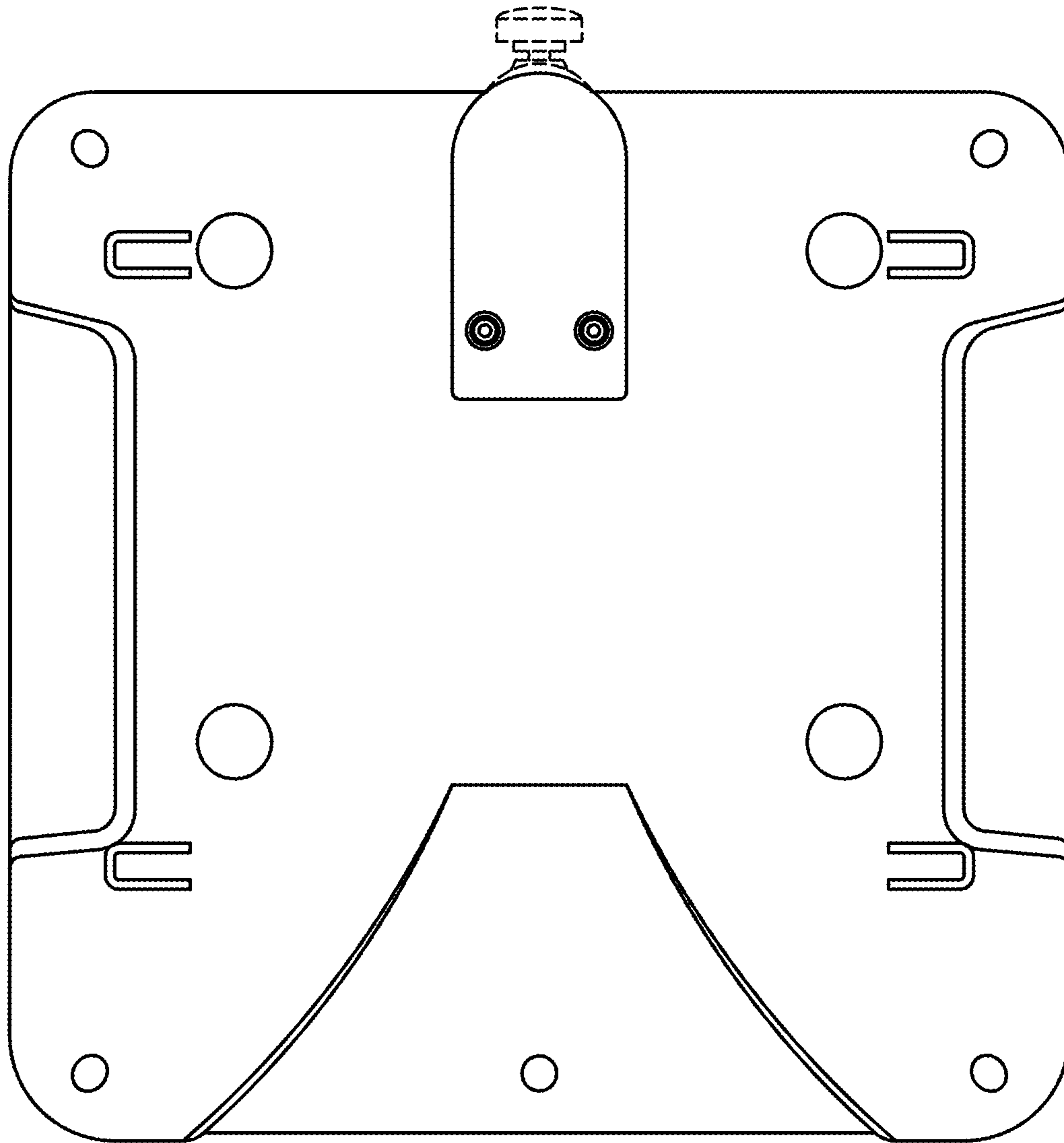


FIG. 7