



US00D875253S

(12) **United States Design Patent** (10) **Patent No.:** **US D875,253 S**
Moon et al. (45) **Date of Patent:** **** Feb. 11, 2020**

(54) **ULTRASOUND DIAGNOSTIC APPARATUS**

(71) Applicant: **SAMSUNG MEDISON CO., LTD.**,
Hongcheon-gun (KR)

(72) Inventors: **Junpil Moon**, Seoul (KR); **Ui Kim**,
Seoul (KR); **Cheonseop Shin**,
Seongnam-si (KR); **Sungwon Lim**,
Paju-si (KR)

(73) Assignee: **Samsung Medison Co., Ltd.**,
Hongcheon-gun (KR)

(**) Term: **15 Years**

(21) Appl. No.: **29/667,191**

(22) Filed: **Oct. 19, 2018**

(30) **Foreign Application Priority Data**

Apr. 20, 2018 (KR) 30-2018-0018687

(51) **LOC (12) Cl.** **24-01**

(52) **U.S. Cl.**
USPC **D24/160**

(58) **Field of Classification Search**
USPC D24/158-161, 185, 186, 107, 152, 176,
D24/177
CPC ... A61B 6/4405; A61B 6/4411; A61B 6/4435;
A61B 6/4441; A61B 6/4447; A61B
8/4405; A61B 8/4411; A61B 8/4427;
A61B 8/462; A61B 8/0437; A61B 8/0883
See application file for complete search history.

(56) **References Cited**

U.S. PATENT DOCUMENTS

8,286,977 B2 * 10/2012 Butler A61G 12/001
280/47.34
D695,898 S * 12/2013 Chung D24/158

D707,360 S * 6/2014 Kim D24/185
D743,558 S * 11/2015 Kim D24/158
D804,673 S * 12/2017 Shin D24/186
D825,763 S * 8/2018 Lim D24/160
D840,541 S * 2/2019 Yanagihara D24/160
D843,585 S * 3/2019 Wu D24/186
D852,962 S * 7/2019 Chang D24/185
D855,190 S * 7/2019 Wu D24/160

* cited by examiner

Primary Examiner — Anhdao Doan

(74) *Attorney, Agent, or Firm* — Ladas & Parry LLP

(57) **CLAIM**

We claim the ornamental design for an ultrasound diagnostic apparatus, as shown and described.

DESCRIPTION

FIG. 1 is the front perspective view of an ultrasound diagnostic apparatus showing our new design;
FIG. 2 is the front view thereof;
FIG. 3 is the rear view thereof;
FIG. 4 is the left-side view thereof;
FIG. 5 is the right-side view thereof;
FIG. 6 is the top view thereof; and,
FIG. 7 is the bottom view thereof.
The broken lines immediately adjacent the shaded areas represent the bounds of the claim, while all other broken lines are directed to environment and are for illustrative purposes only; the broken lines form no part of the claimed design.

1 Claim, 7 Drawing Sheets

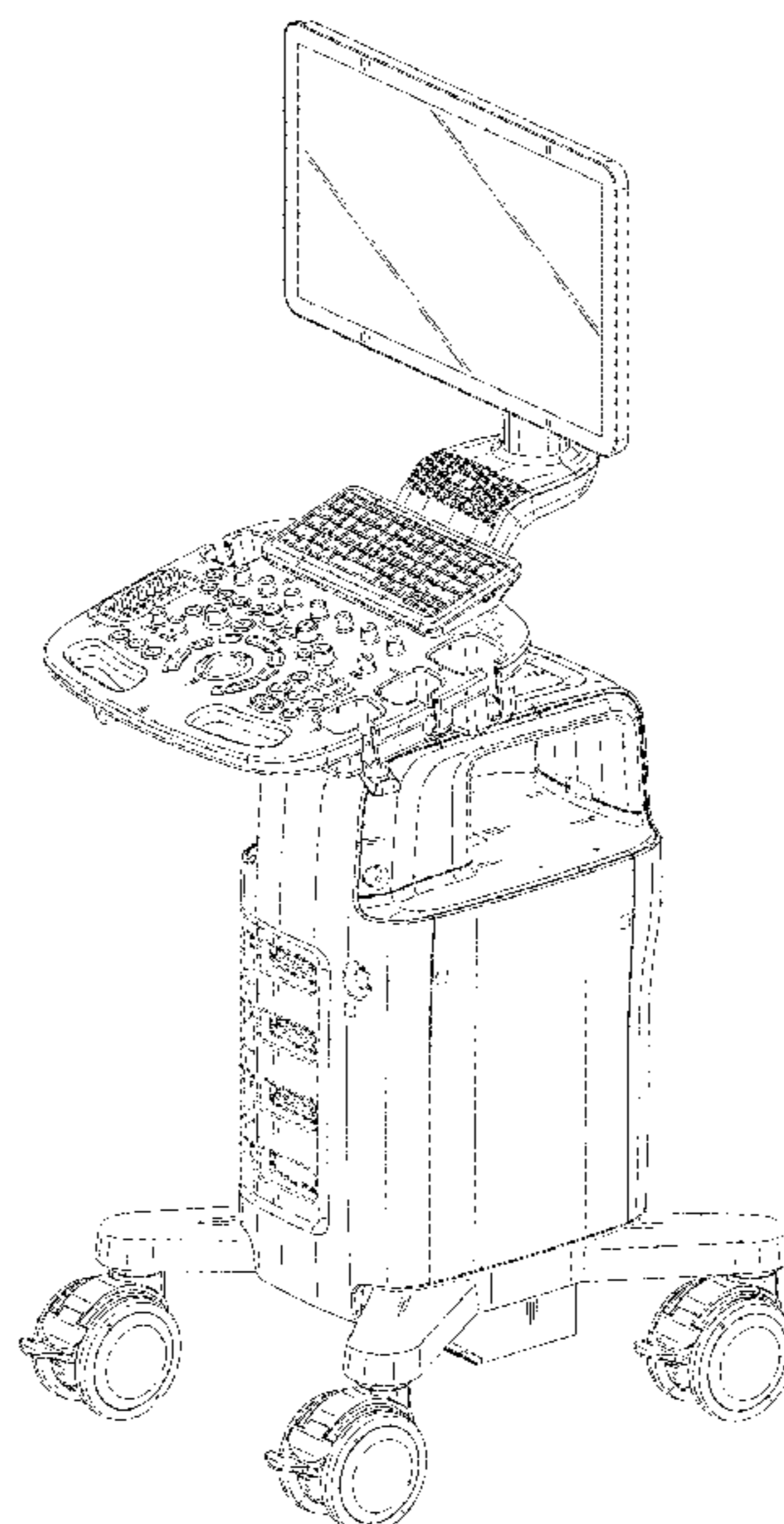


FIG. 1

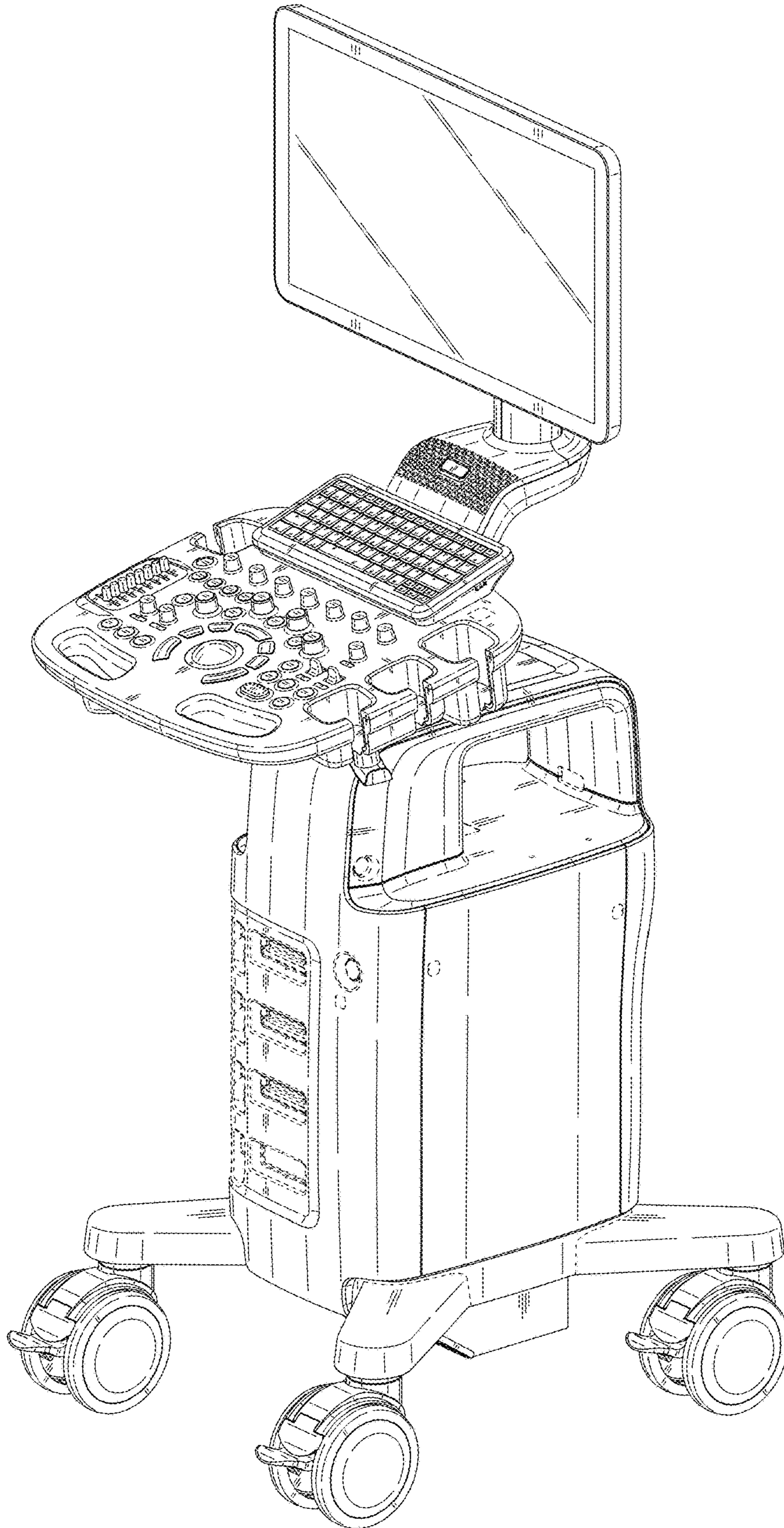


FIG. 2

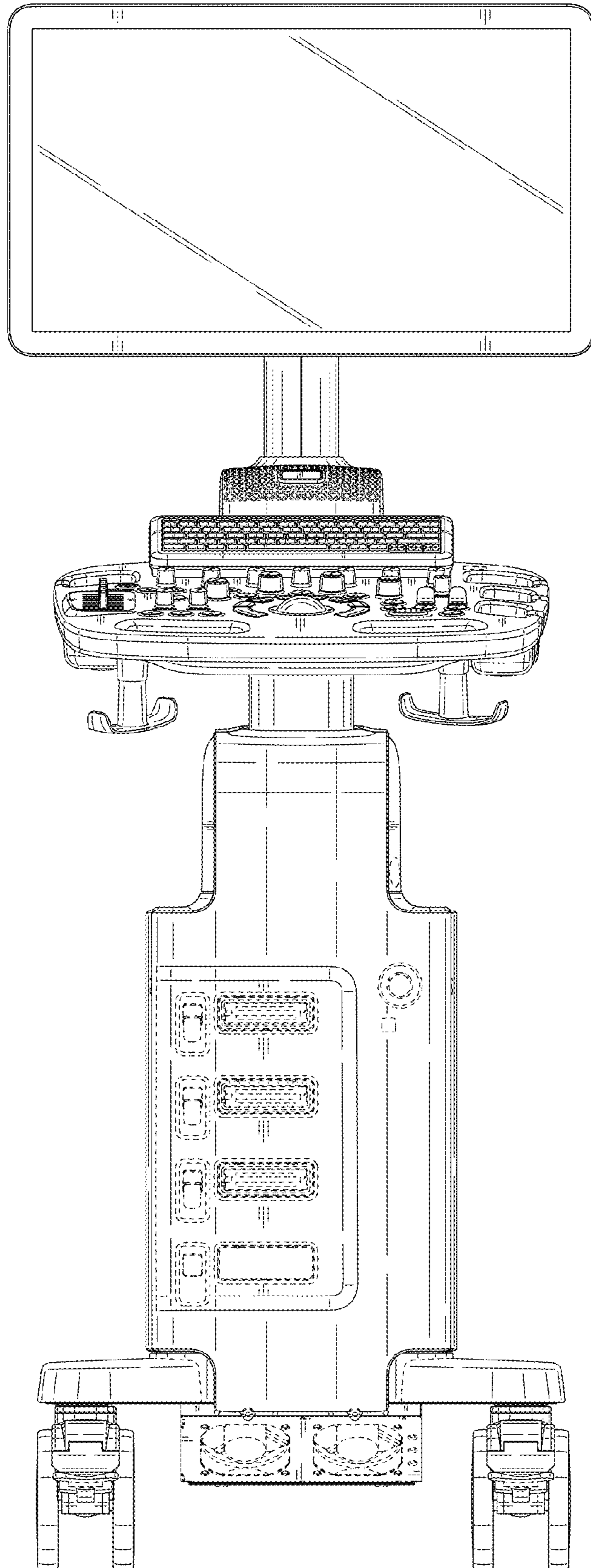


FIG. 3

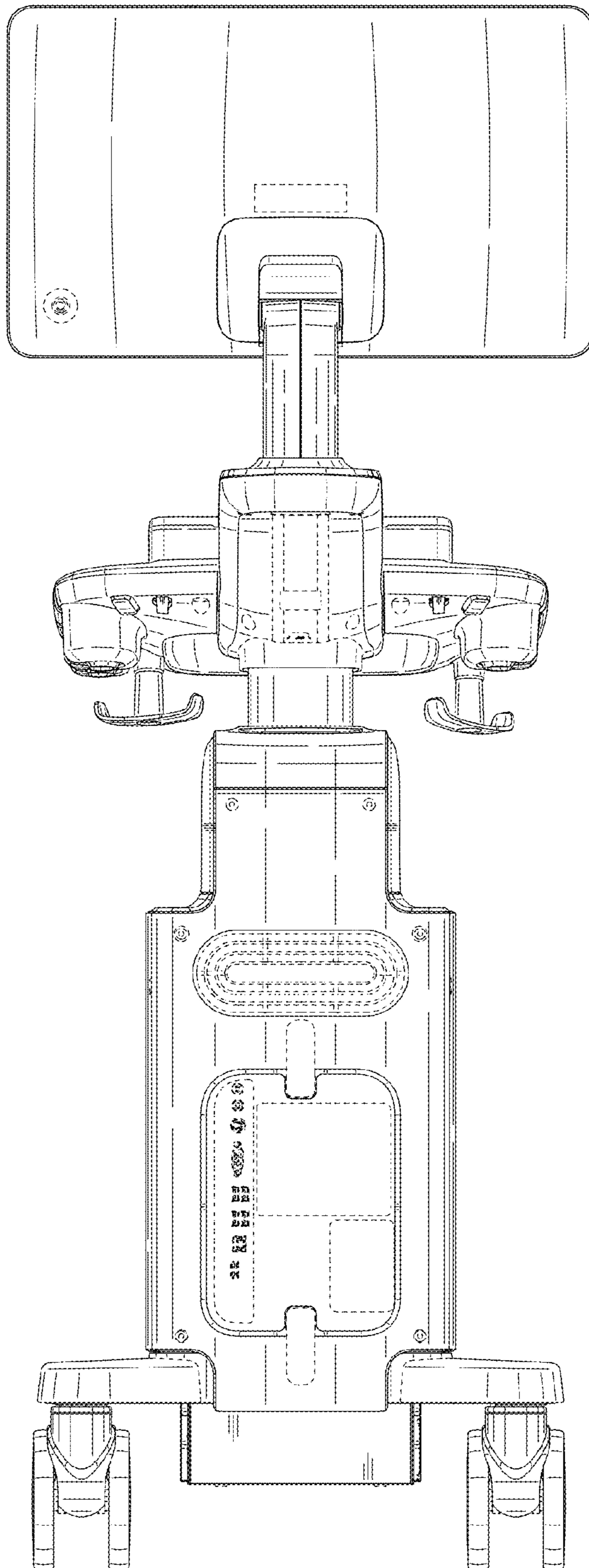


FIG. 4

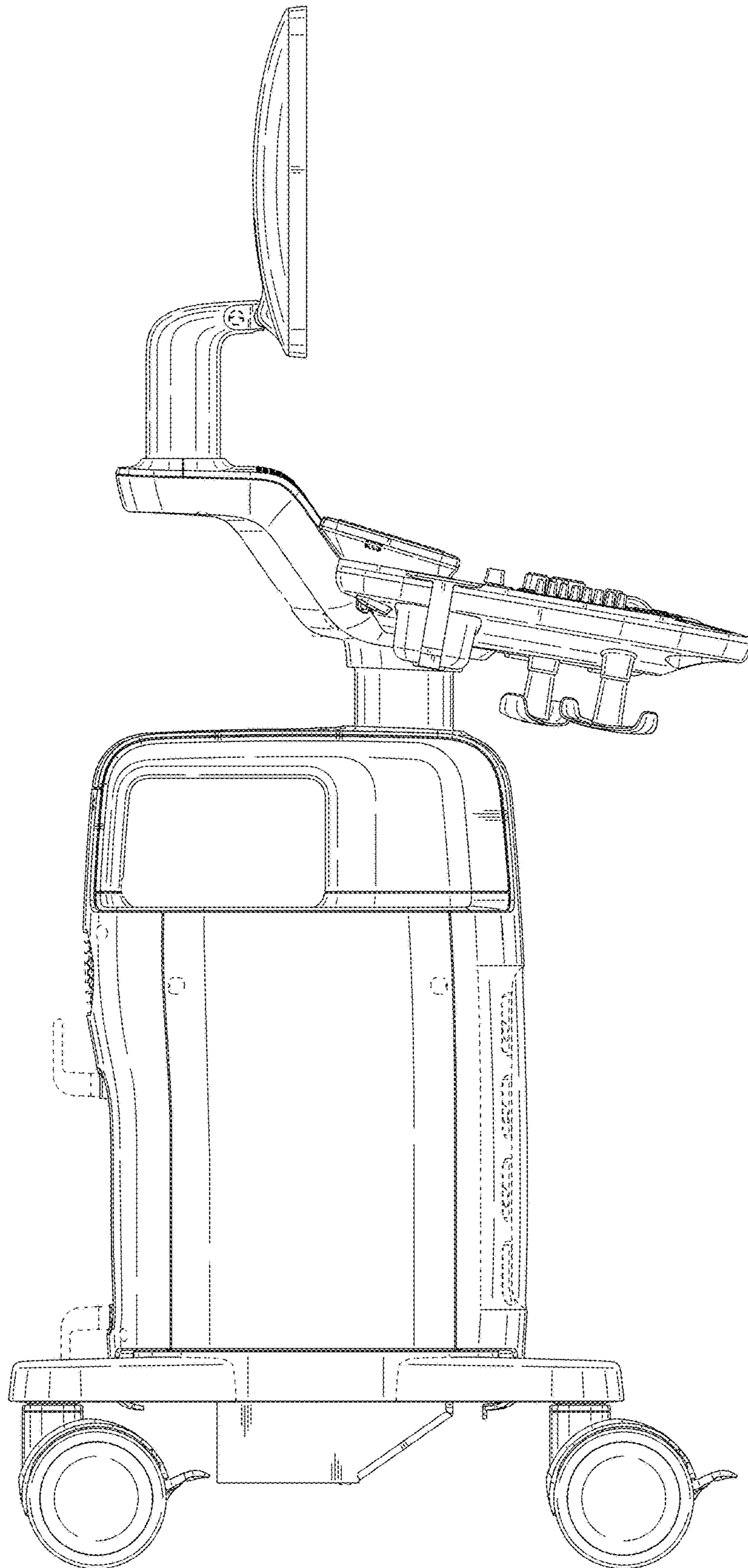


FIG. 5

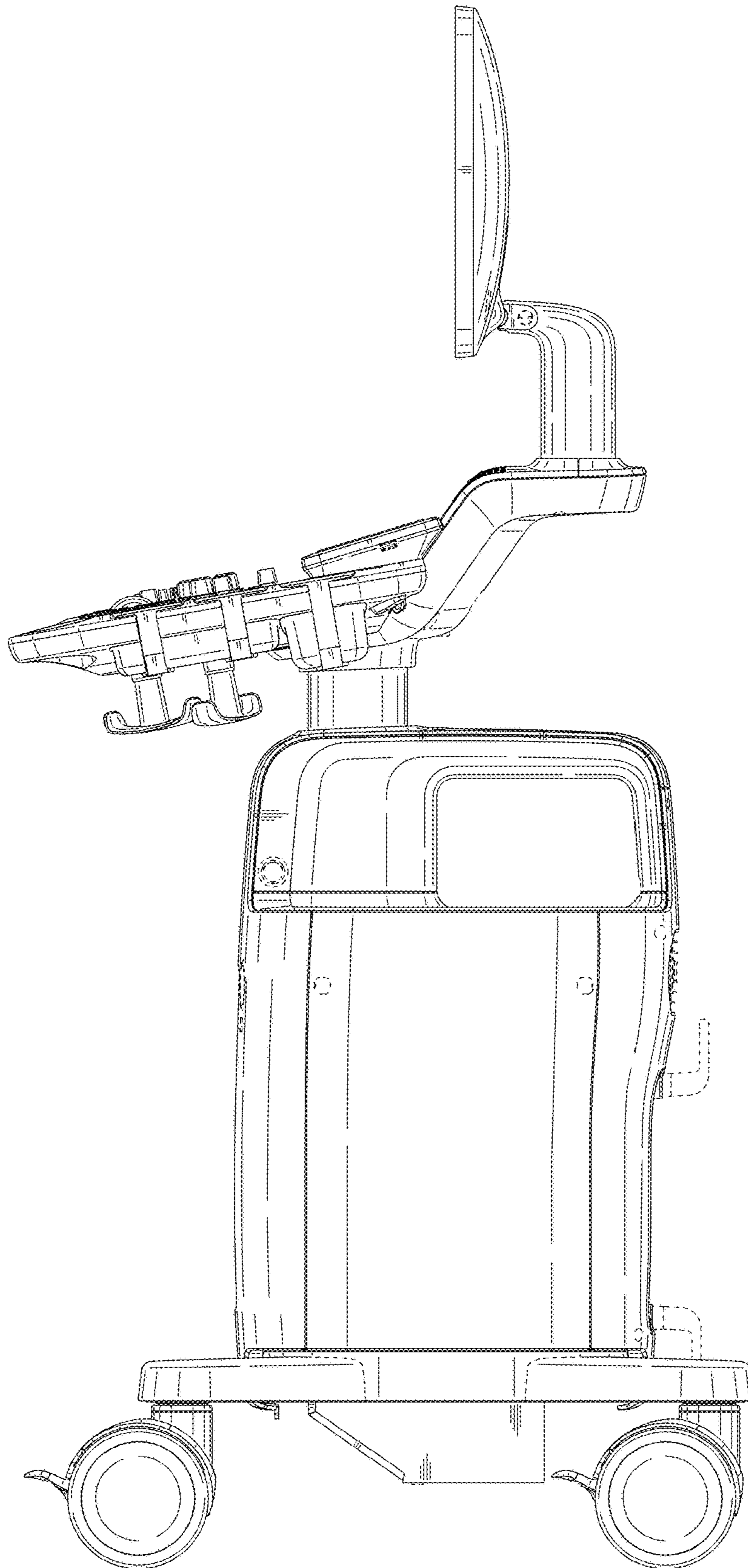


FIG. 6

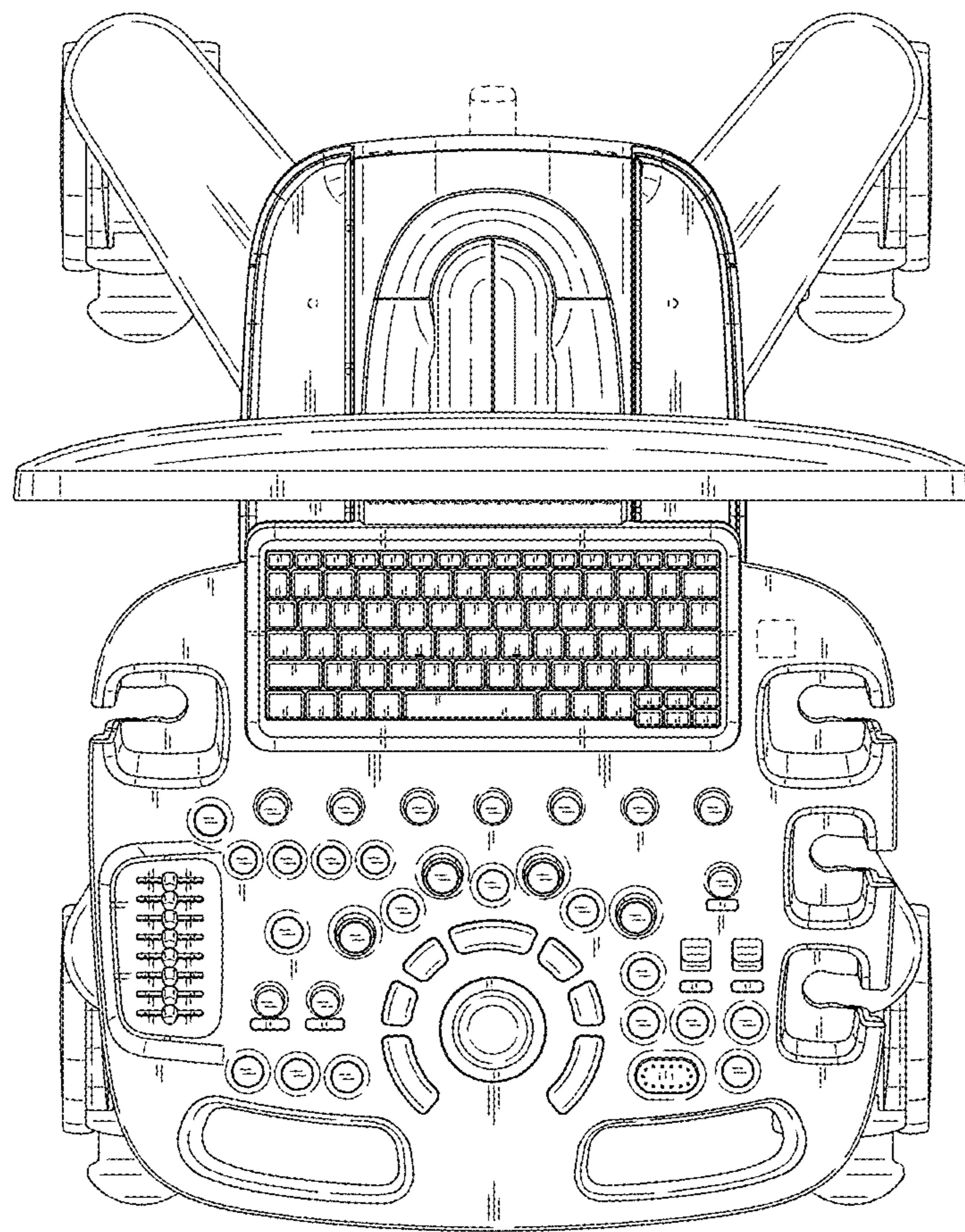


FIG. 7

