



US00D875249S

(12) **United States Design Patent** (10) **Patent No.:** **US D875,249 S**  
**Classen et al.** (45) **Date of Patent:** **\*\* Feb. 11, 2020**

(54) **DENTAL INSTRUMENT**

(71) Applicant: **KALTENBACH & VOIGHT GMBH**,  
Biberach/Riss (DE)

(72) Inventors: **Thomas Classen**, Herberlingen (DE);  
**Juergen Butscher**, Leutkirch (DE);  
**Marcel Ott**, Zwiefalten-Baach (DE);  
**Markus Haarmann**, Biberach (DE);  
**Thomas Birk**, Oberhausen (DE)

(73) Assignee: **KALTENBACH & VOIGHT GMBH**,  
Biberach/Riss (DE)

(\*\*) Term: **15 Years**

(21) Appl. No.: **29/684,500**

(22) Filed: **Mar. 21, 2019**

**Related U.S. Application Data**

(62) Division of application No. 29/617,807, filed on Sep.  
15, 2017, now Pat. No. Des. 854,687.

(51) **LOC (12) Cl.** ..... **24-02**

(52) **U.S. Cl.**  
USPC ..... **D24/152**

(58) **Field of Classification Search**  
USPC ..... D24/152, 156, 176, 146-147; D8/83,  
D8/107; 433/3, 82, 102, 114, 124-126,  
433/133, 141-142  
CPC .. A61C 1/05; A61C 1/052; A61C 1/06; A61C  
1/07; A61C 1/08; A61C 1/10; A61C 1/12;  
A61C 1/147; A61C 3/00; A61C 3/02;  
A61C 3/025; A61C 17/0202; A61C  
(Continued)

(56) **References Cited**

**U.S. PATENT DOCUMENTS**

D499,486 S \* 12/2004 Kuhn ..... D24/146  
D504,949 S \* 5/2005 Kuhn ..... D24/152

(Continued)

*Primary Examiner* — Wan Laymon

(74) *Attorney, Agent, or Firm* — Scully, Scott, Murphy &  
Presser, P.C.

(57) **CLAIM**

The ornamental design for a dental instrument, as shown and  
described.

**DESCRIPTION**

FIG. 1 illustrates a front view of the dental instrument,  
showing a first embodiment of our new and ornamental  
design;

FIG. 2 illustrates a side view thereof;

FIG. 3 illustrates a back view thereof;

FIG. 4 illustrates an alternate side view thereof;

FIG. 5 illustrates an enlarged bottom view thereof;

FIG. 6 illustrates an enlarged top view thereof;

FIG. 7 illustrates a perspective view thereof;

FIG. 8 illustrates a front view of the dental instrument,  
showing a second embodiment of our new and ornamental  
design;

FIG. 9 illustrates a side view thereof;

FIG. 10 illustrates a back view thereof;

FIG. 11 illustrates an alternate side view thereof;

FIG. 12 illustrates an enlarged bottom view thereof;

FIG. 13 illustrates an enlarged top view thereof;

FIG. 14 illustrates a perspective view thereof;

FIG. 15 illustrates a front view of the dental instrument,  
showing a third embodiment of our new and ornamental  
design;

FIG. 16 illustrates a side view thereof;

FIG. 17 illustrates a back view thereof;

FIG. 18 illustrates an alternate side view thereof;

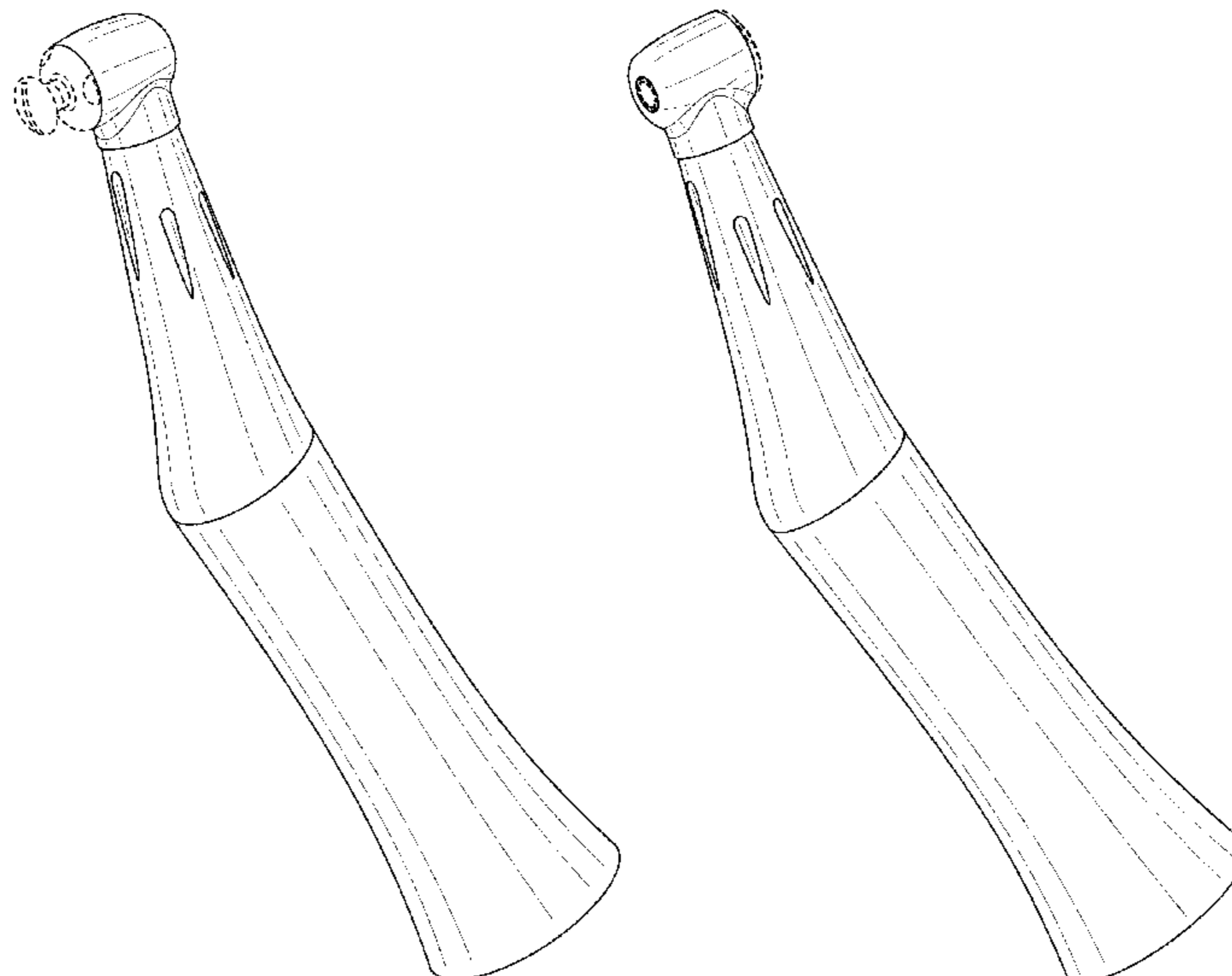
FIG. 19 illustrates an enlarged bottom view thereof;

FIG. 20 illustrates an enlarged top view thereof; and,

FIG. 21 illustrates a perspective view thereof.

The portions of the dental instrument shown in broken lines  
in the figures attached hereto form no part of the claimed  
design.

**1 Claim, 21 Drawing Sheets**



(58) **Field of Classification Search**

CPC ..... 17/225; A61C 17/26; A61C 17/30; A61C  
17/34

See application file for complete search history.

(56) **References Cited**

U.S. PATENT DOCUMENTS

D520,138 S *	5/2006	Kuhn .....	D24/152
D533,276 S *	12/2006	Nakanishi .....	D24/152
D547,868 S *	7/2007	Nakanishi .....	D24/146
D550,358 S *	9/2007	Nakanishi .....	D24/146
D600,347 S *	9/2009	Klee .....	D24/146
D604,412 S *	11/2009	Kobayashi .....	D24/152
D714,443 S *	9/2014	Tanaka .....	D24/152
2013/0004913 A1 *	1/2013	Danger .....	A61C 1/003 433/102

\* cited by examiner

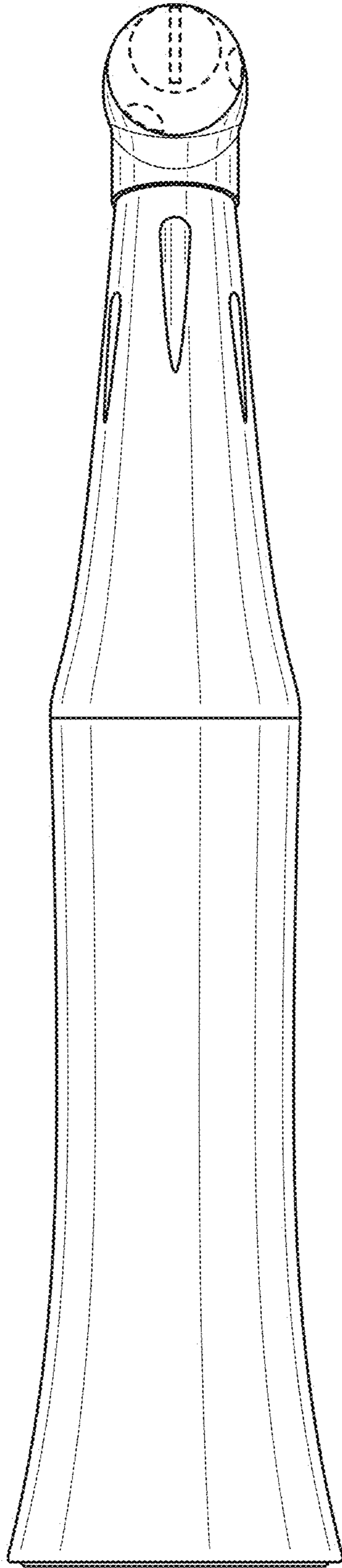


FIG. 1

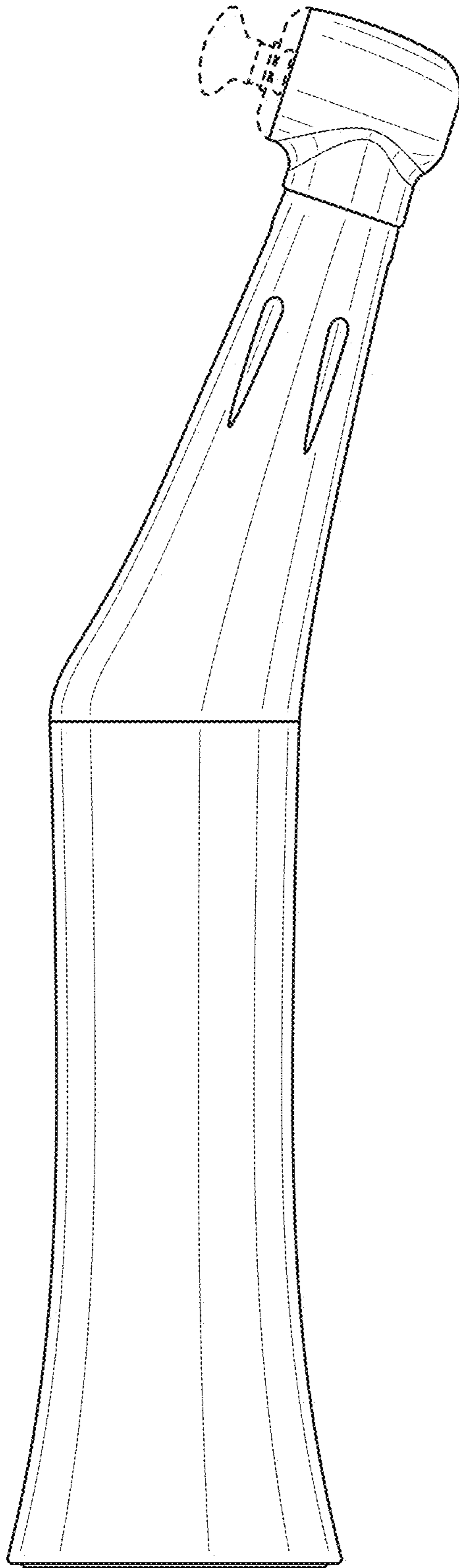


FIG. 2

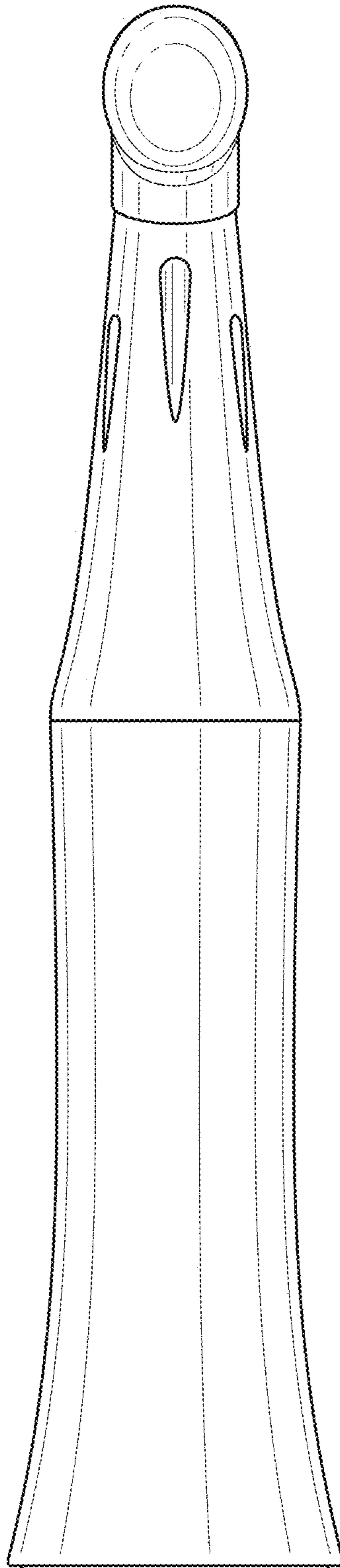


FIG. 3

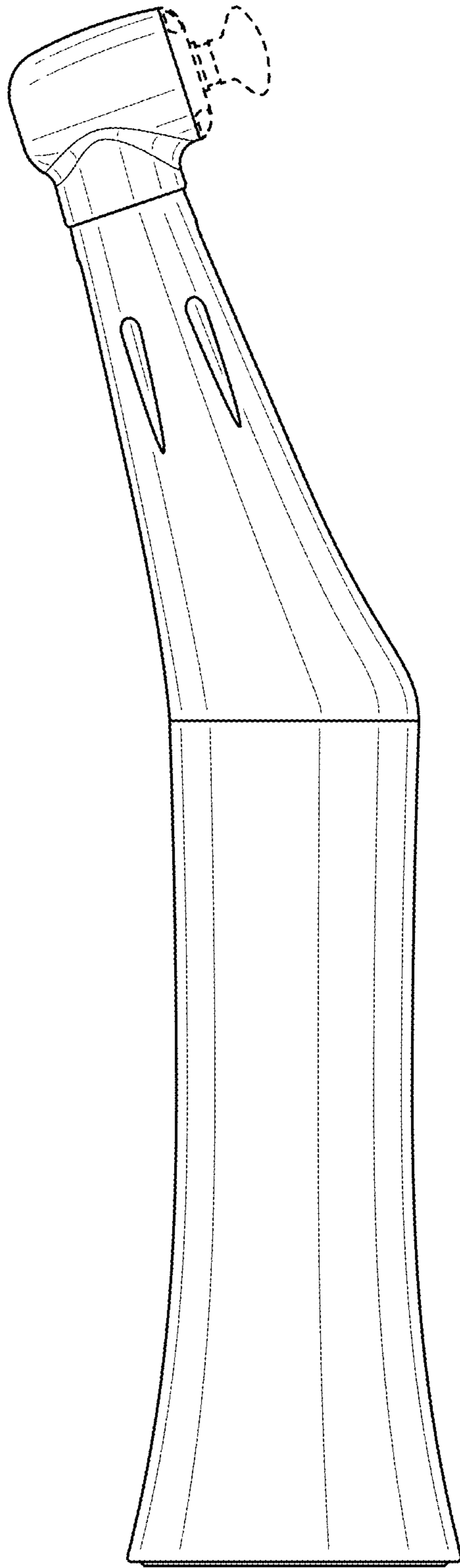


FIG. 4



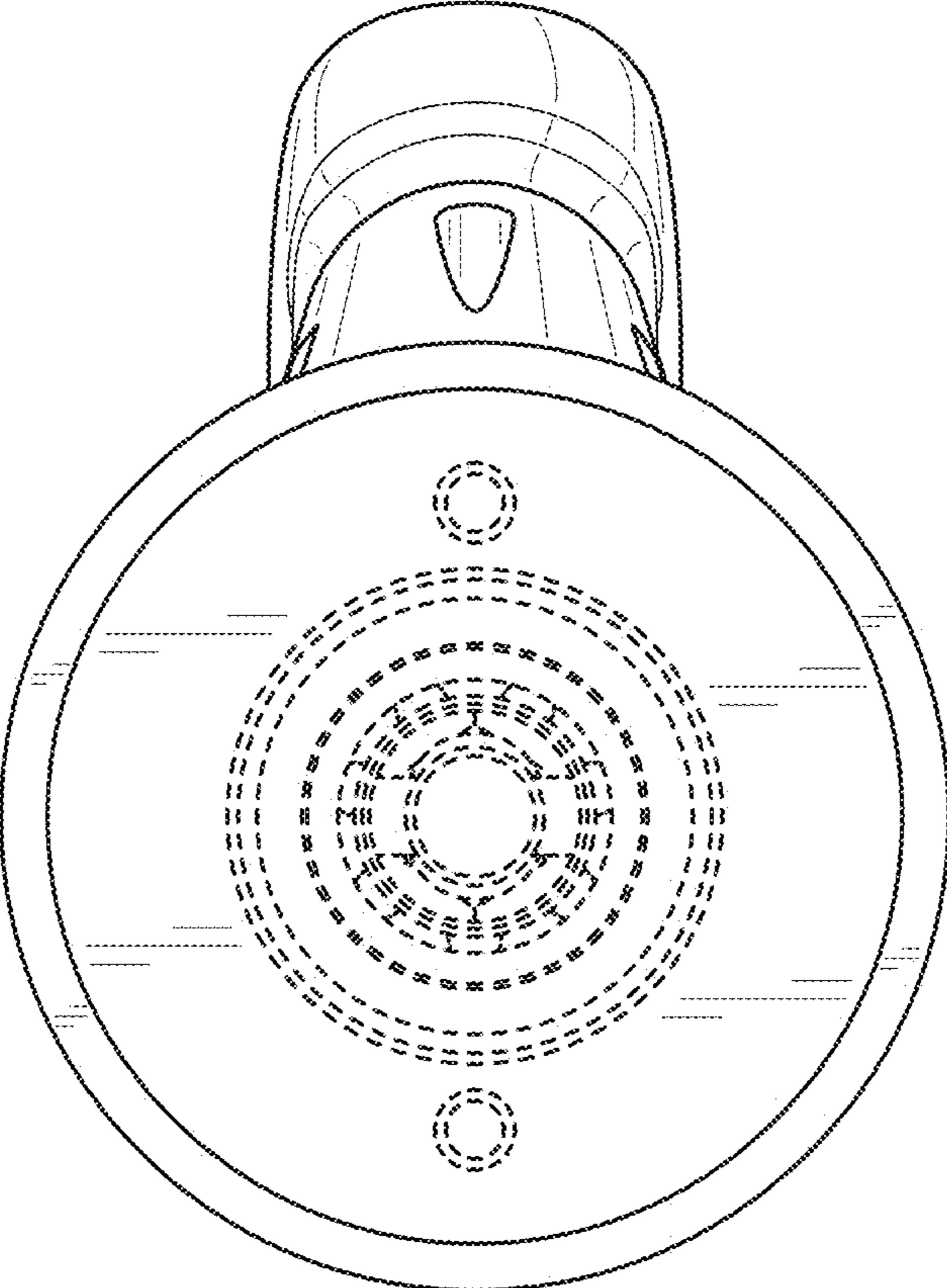


FIG. 5

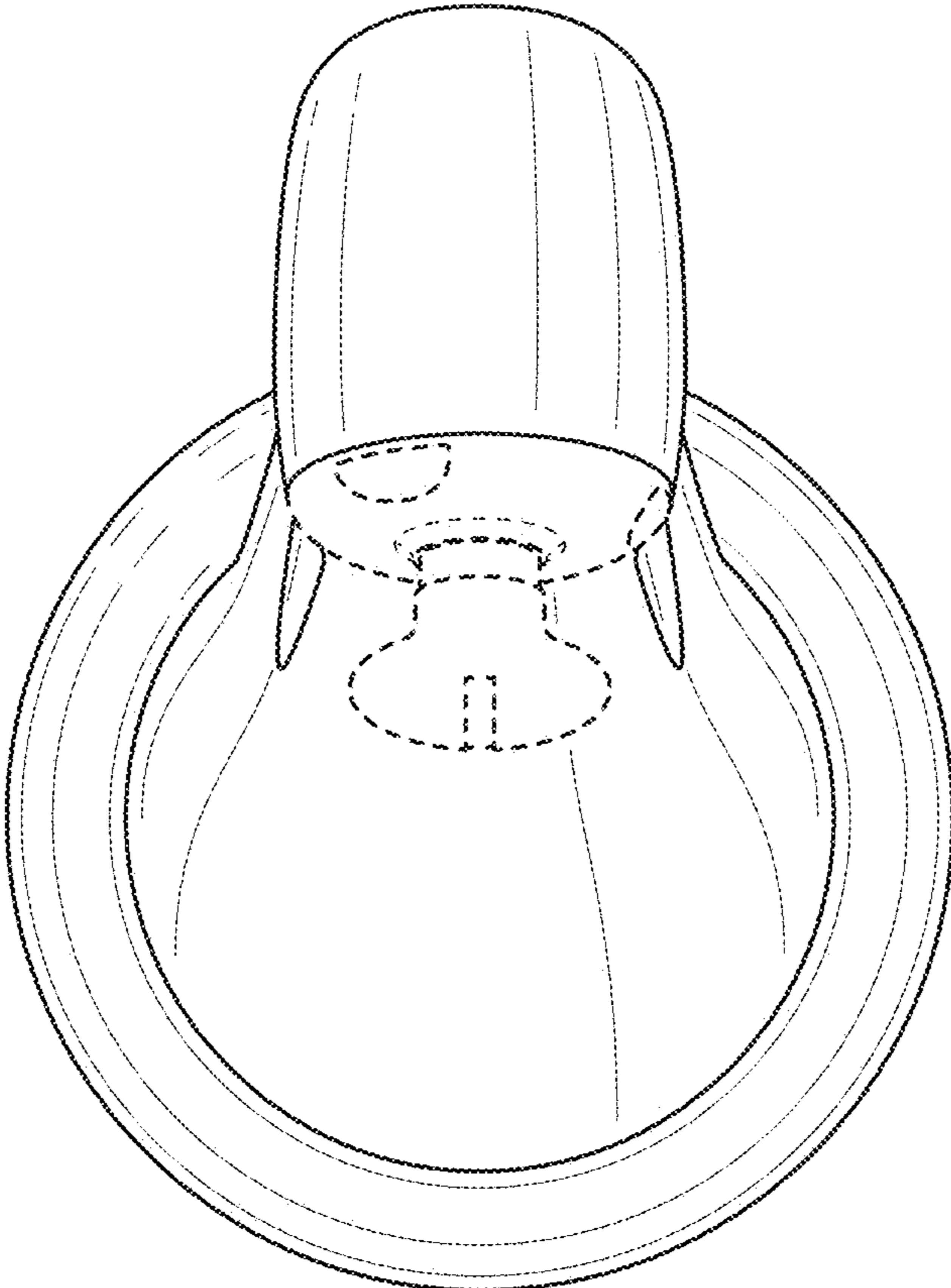


FIG. 6



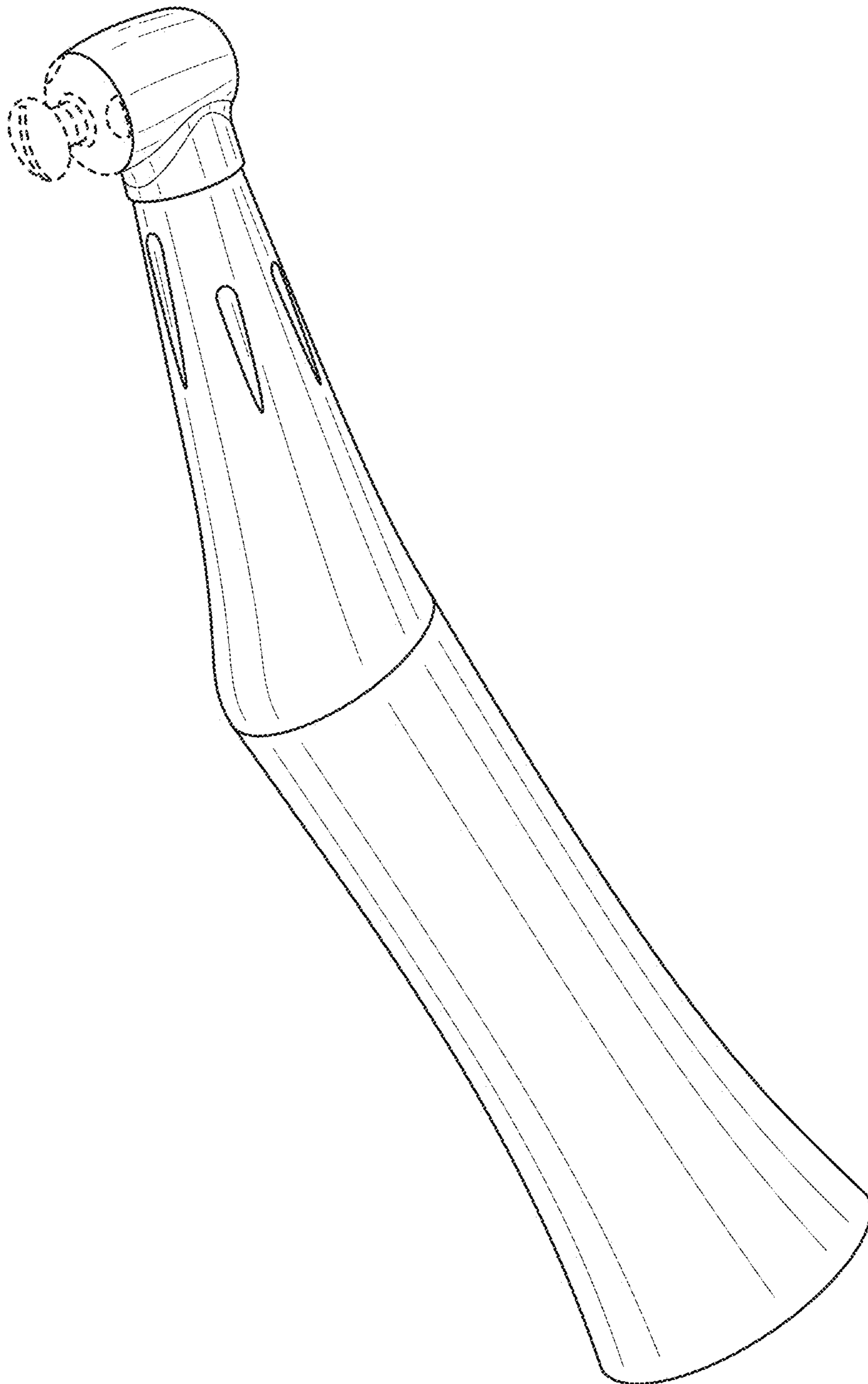


FIG. 7

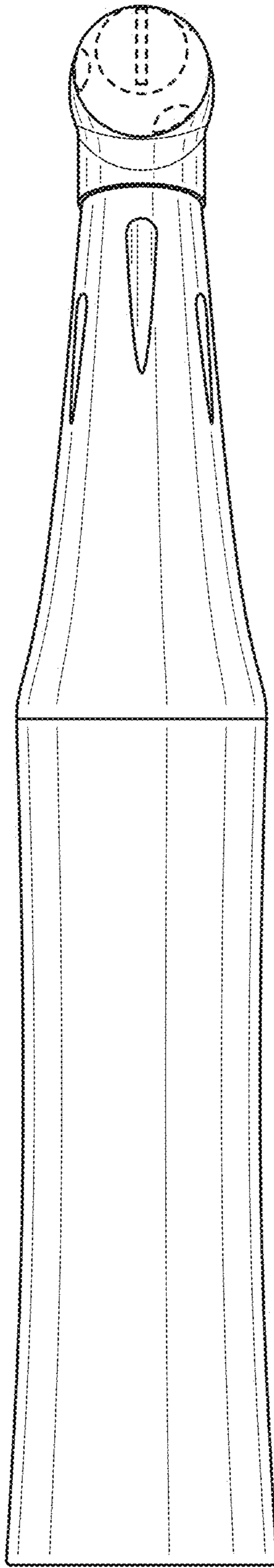


FIG. 8

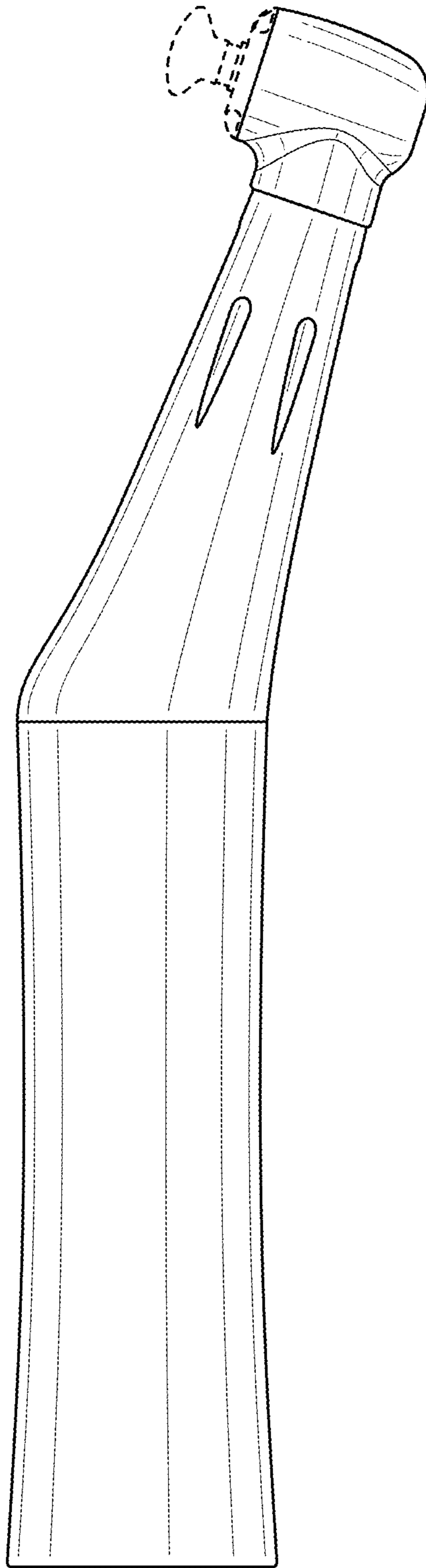


FIG. 9

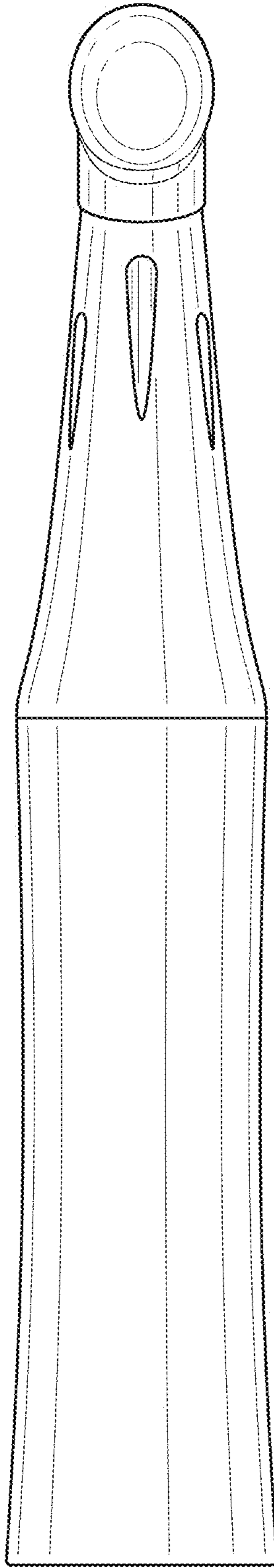


FIG. 10

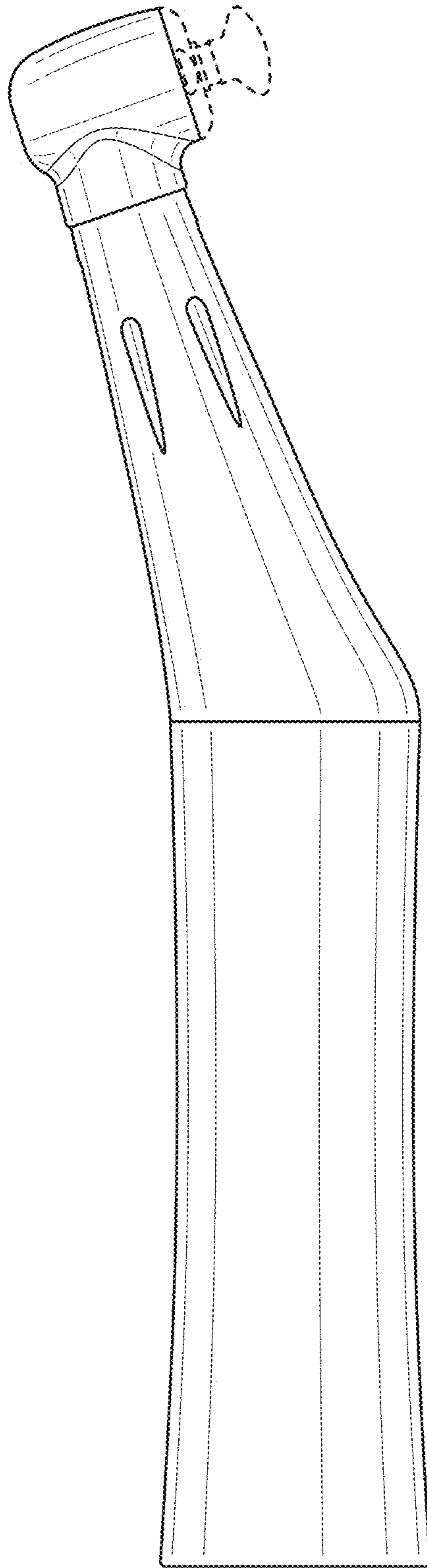


FIG. 11

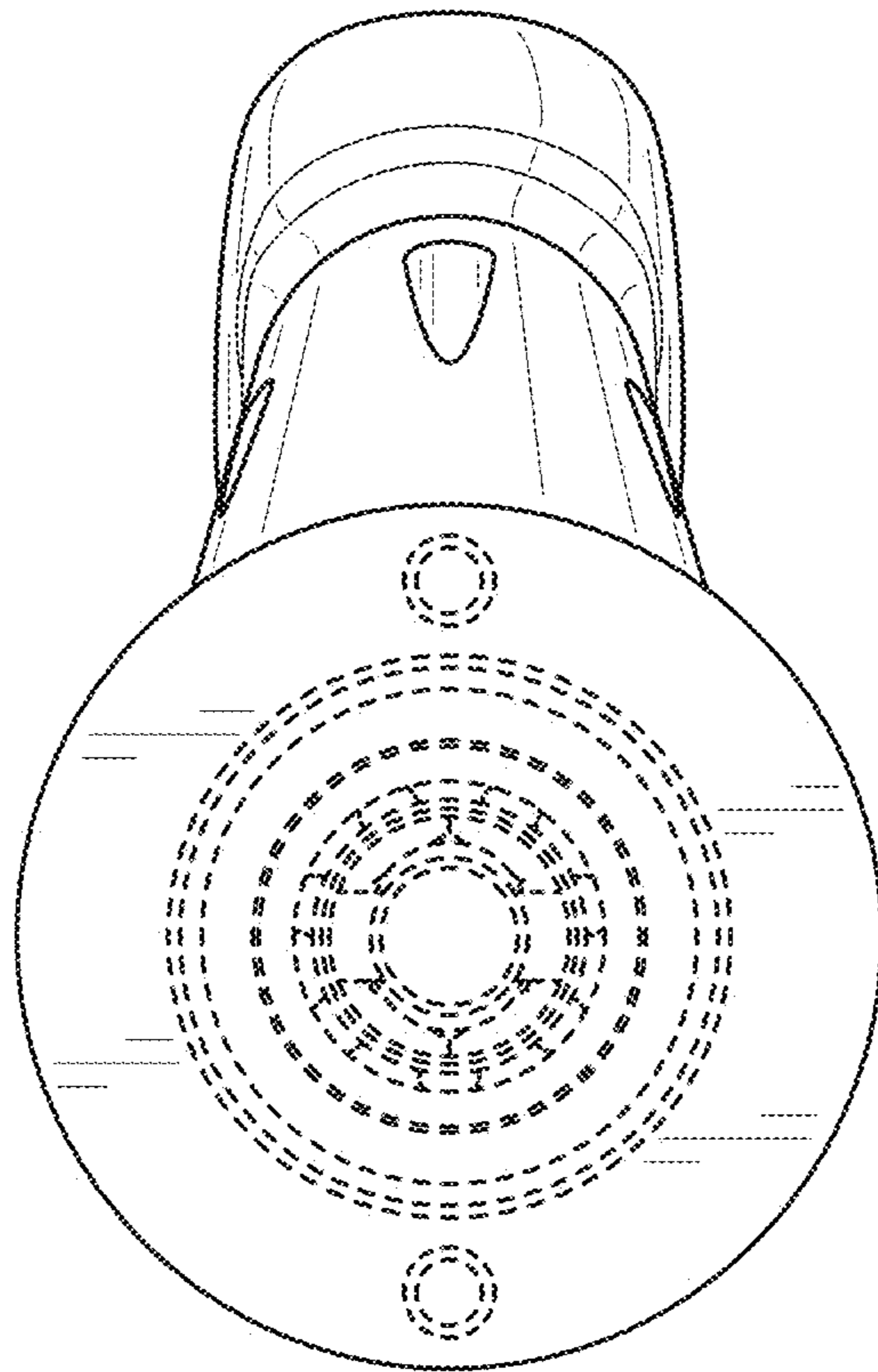


FIG. 12



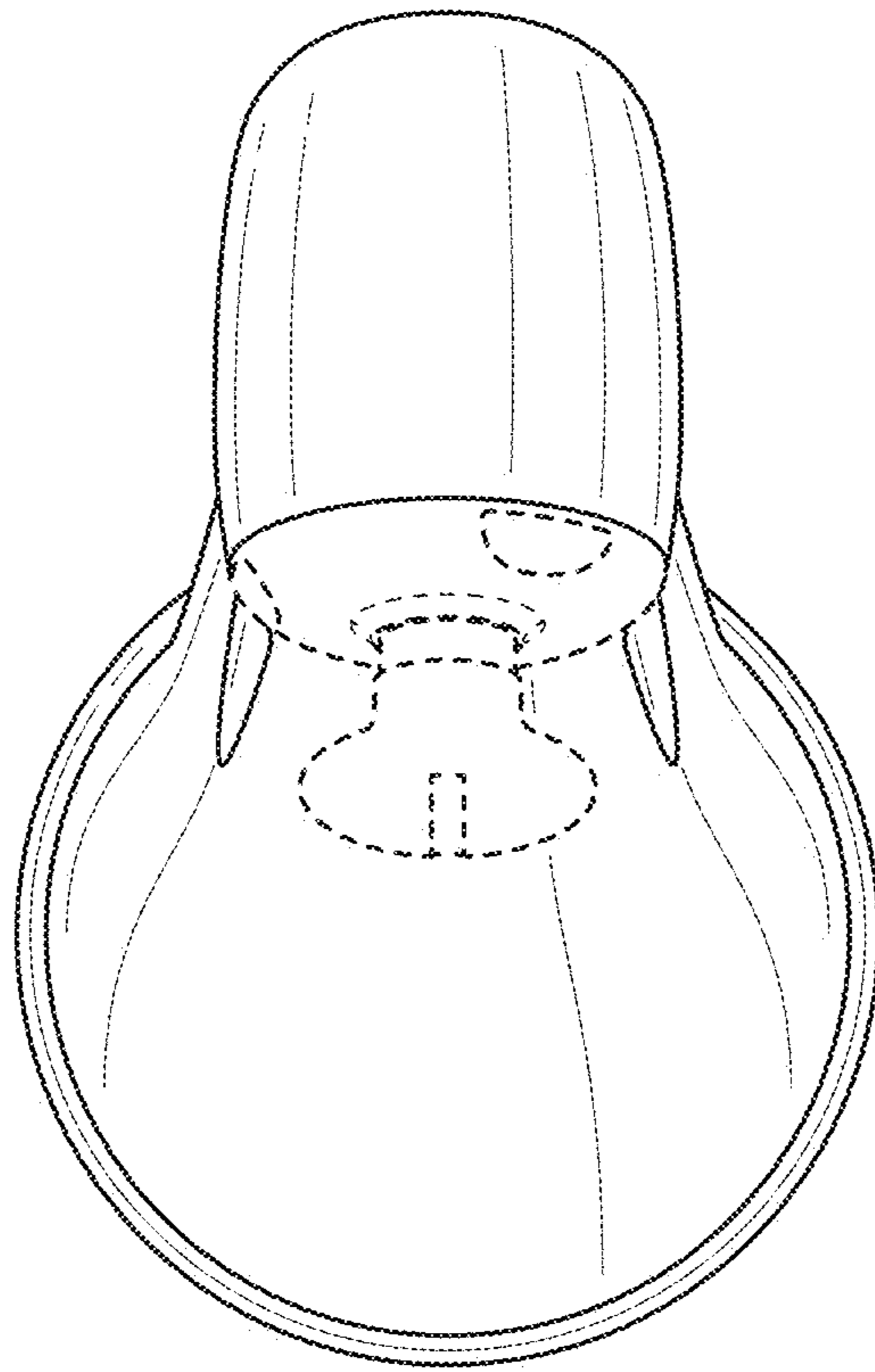


FIG. 13

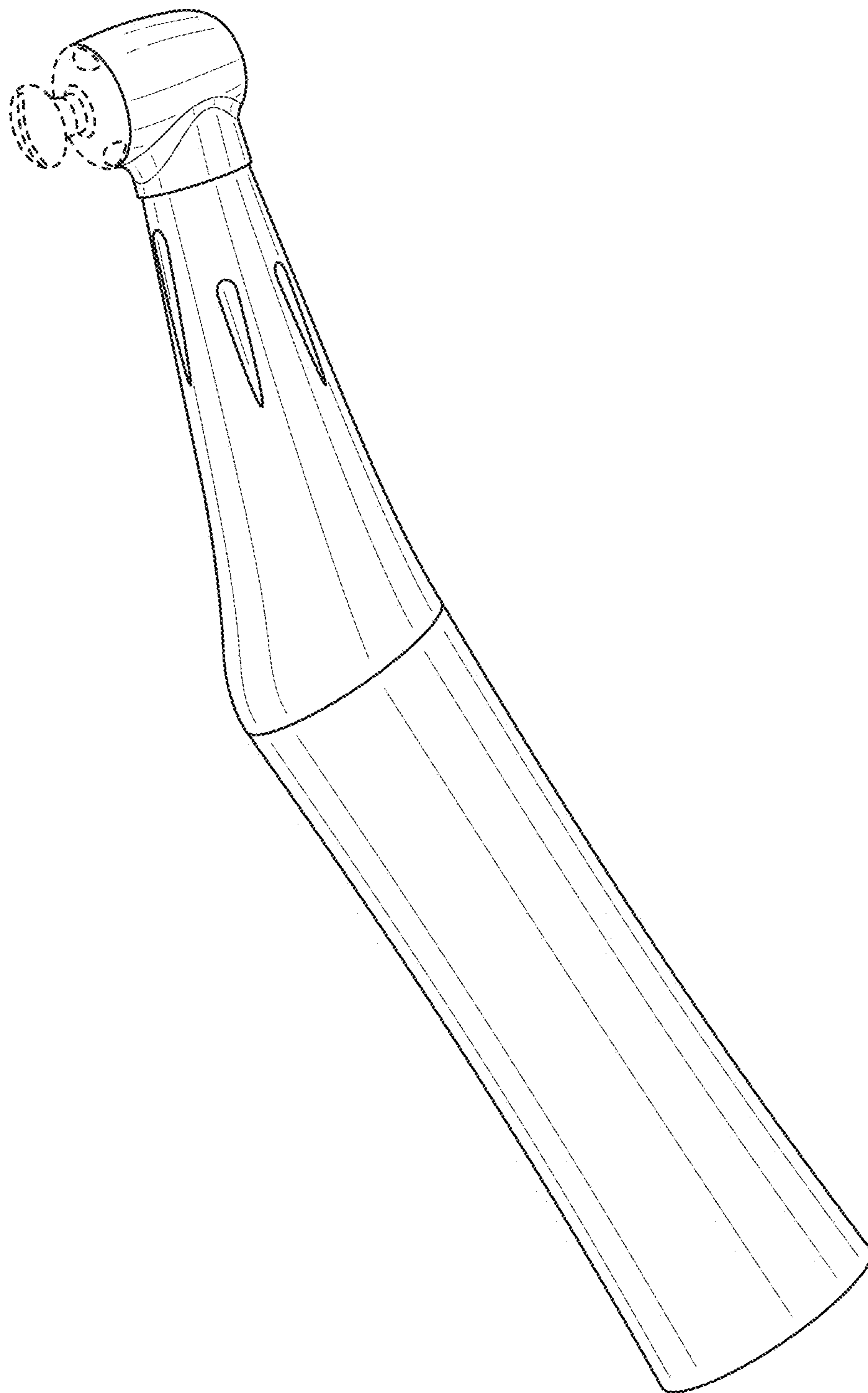


FIG. 14

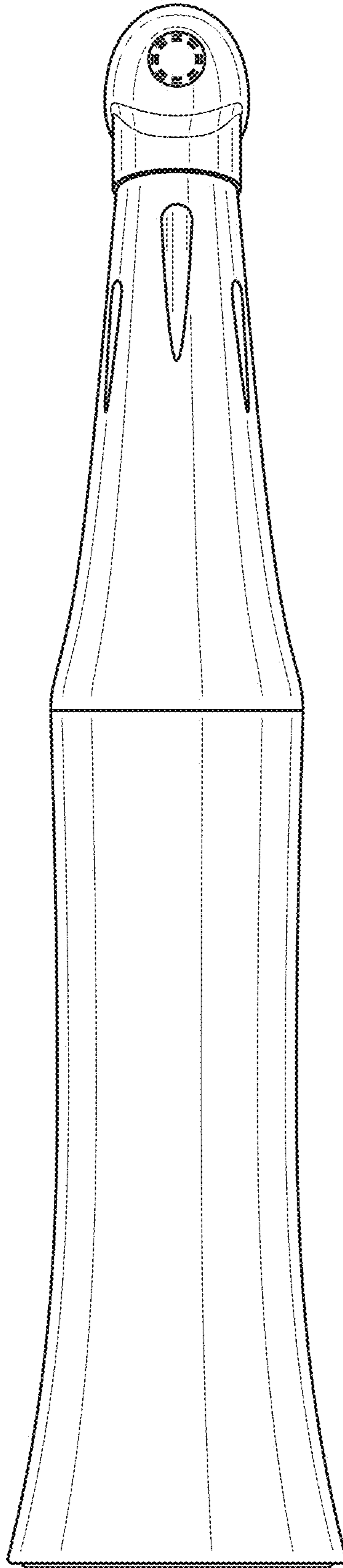


FIG. 15

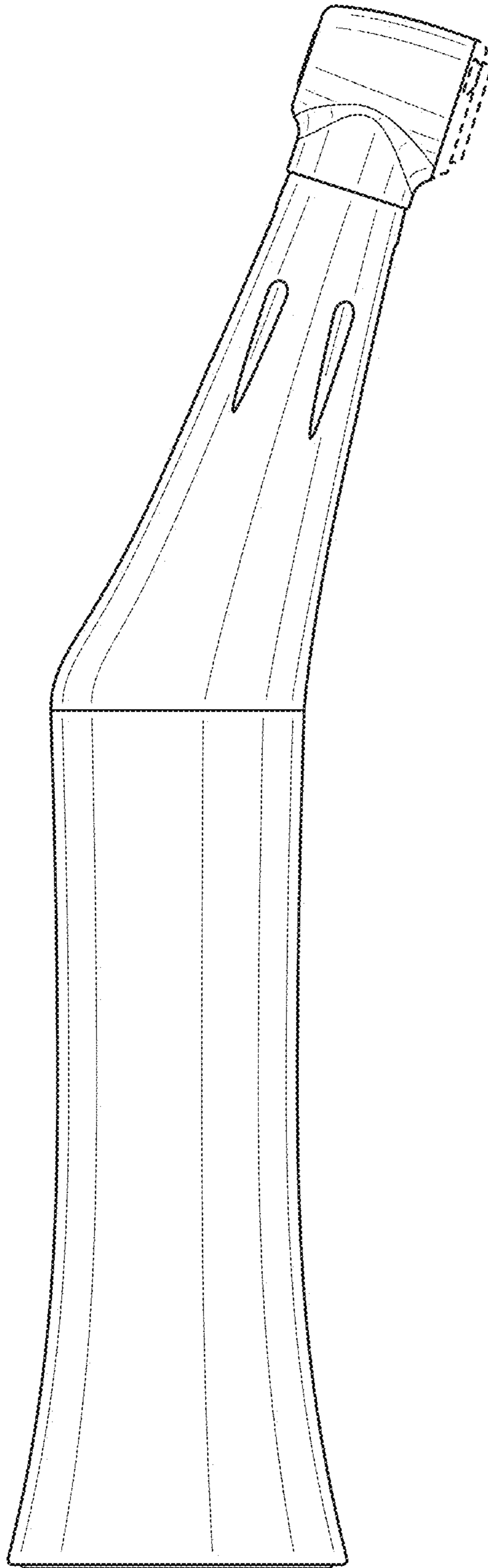


FIG. 16

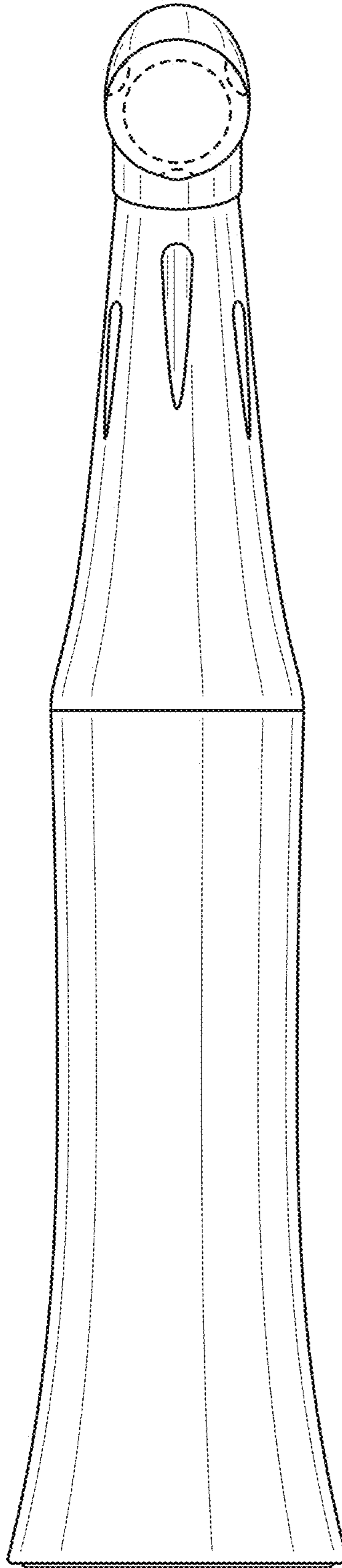


FIG. 17

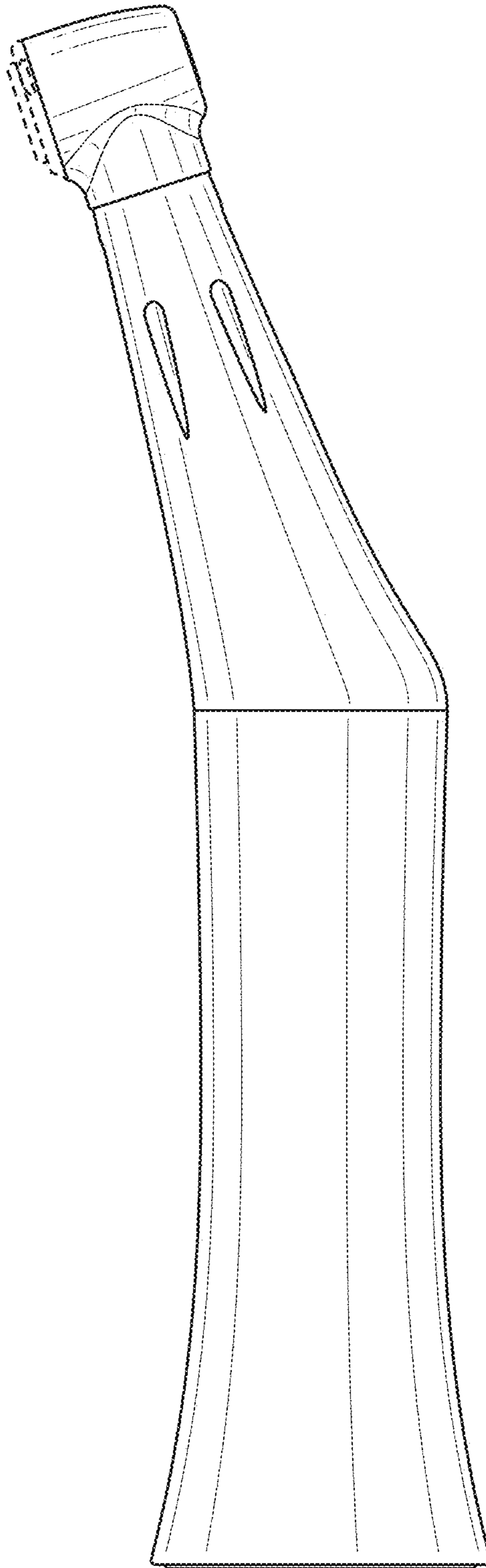


FIG. 18



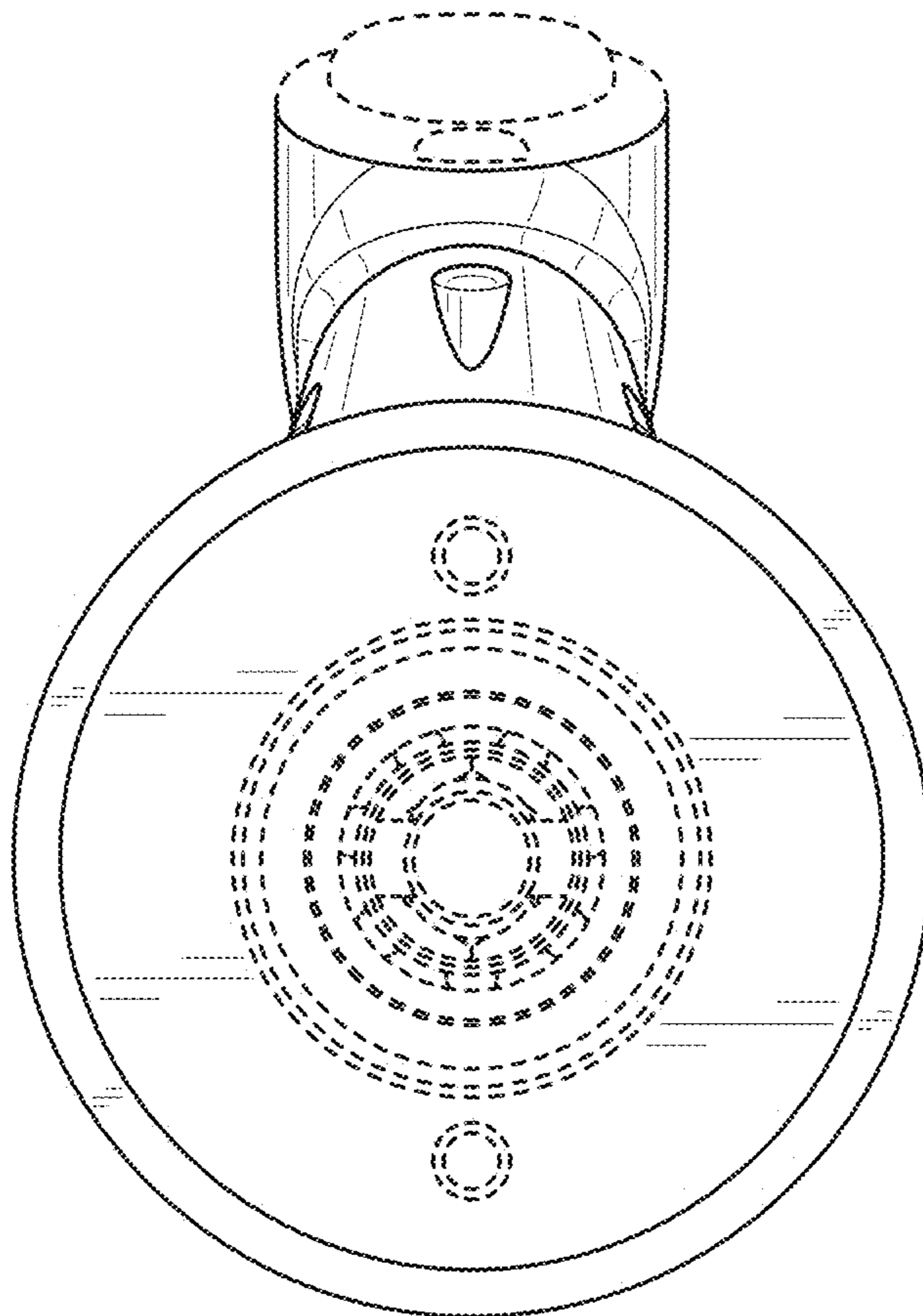


FIG. 19

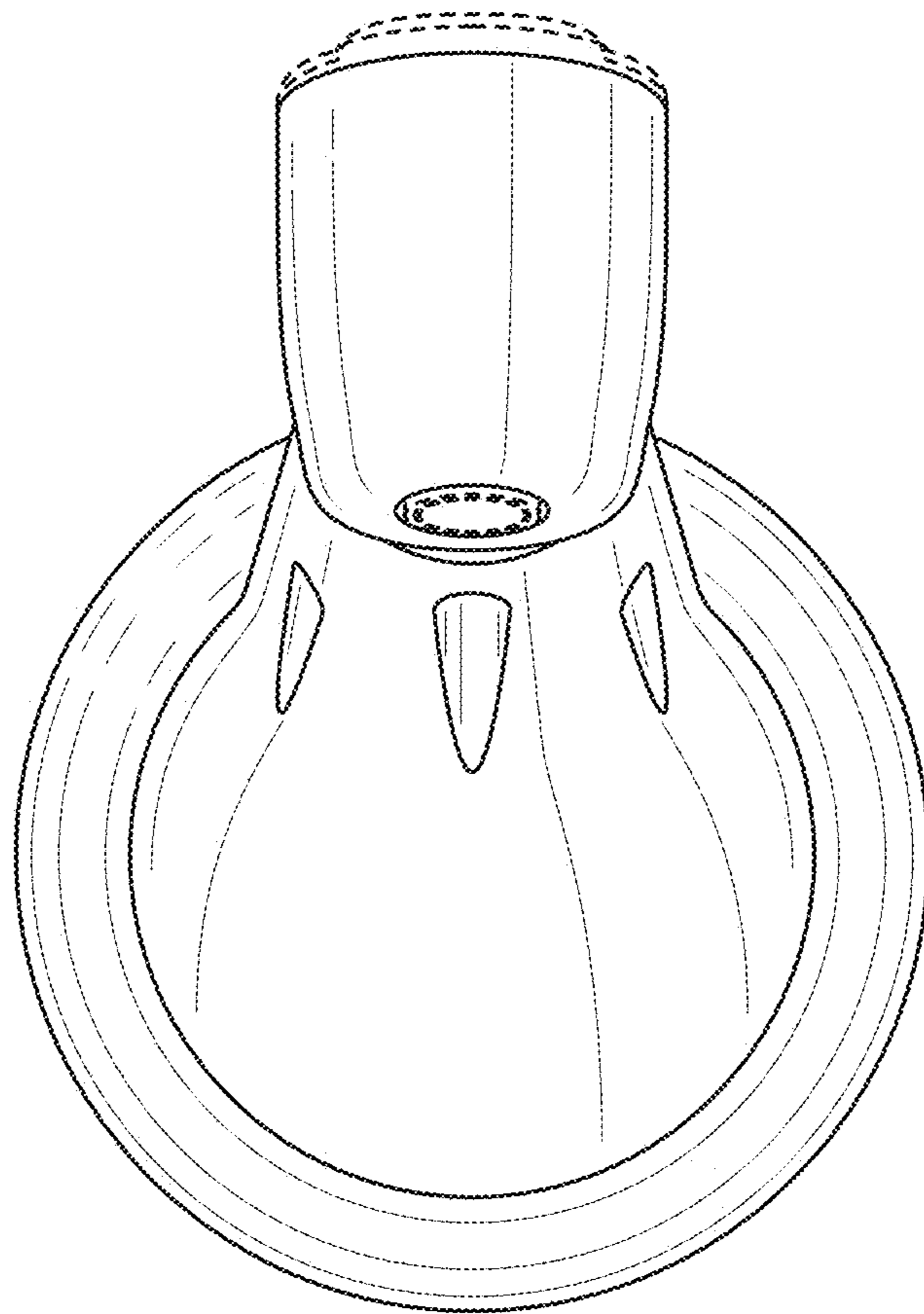


FIG. 20

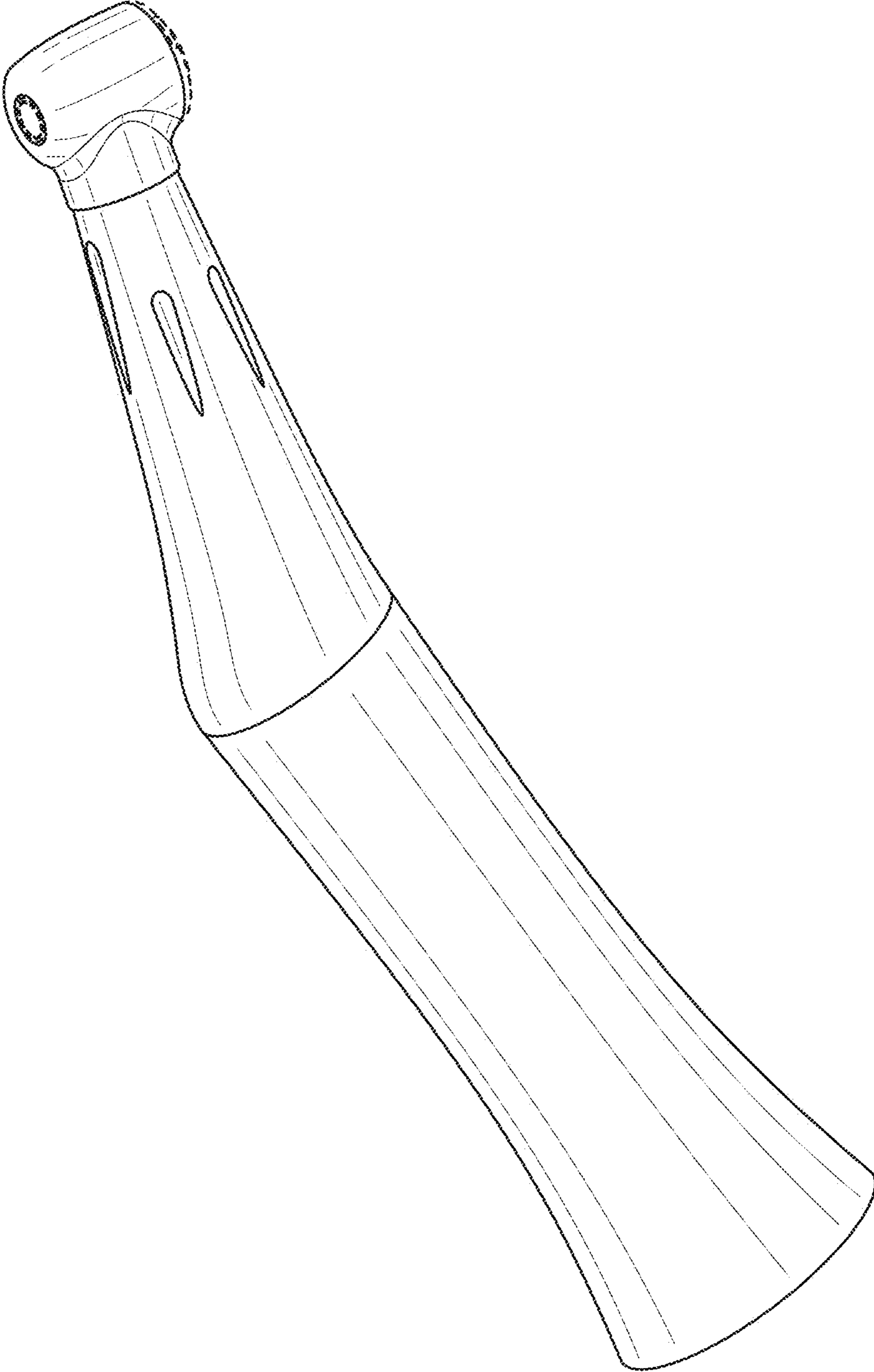


FIG. 21