



US00D875248S

(12) **United States Design Patent** (10) **Patent No.:** **US D875,248 S**  
**Classen et al.** (45) **Date of Patent:** **\*\* Feb. 11, 2020**

- (54) **DENTAL INSTRUMENT**
- (71) Applicant: **KALTENBACH & VOIGHT GMBH**,  
Biberach/Riss (DE)
- (72) Inventors: **Thomas Classen**, Herbertingen (DE);  
**Juergen Butscher**, Leutkirch (DE);  
**Marcel Ott**, Zwiefalten-Baach (DE);  
**Markus Haarmann**, Biberach (DE);  
**Thomas Birk**, Oberhausen (DE)
- (73) Assignee: **KALTENBACH & VOIGHT GMBH**,  
Biberach/Riss (DE)
- (\*\*) Term: **15 Years**
- (21) Appl. No.: **29/684,487**
- (22) Filed: **Mar. 21, 2019**

**Related U.S. Application Data**

- (62) Division of application No. 29/617,807, filed on Sep. 15, 2017, now Pat. No. Des. 854,687.
- (51) **LOC (12) Cl.** ..... **24-02**
- (52) **U.S. Cl.**  
USPC ..... **D24/152**
- (58) **Field of Classification Search**  
USPC ..... D24/152, 156, 176, 146-147; D8/83,  
D8/107; 433/3, 82, 102, 114, 124-126,  
433/133, 141-142  
CPC .. A61C 1/05; A61C 1/052; A61C 1/06; A61C  
1/07; A61C 1/08; A61C 1/10; A61C 1/12;  
A61C 1/147; A61C 3/00; A61C 3/02;  
A61C 3/025; A61C 17/0202; A61C  
17/225; A61C 17/26; A61C 17/30; A61C  
17/34  
See application file for complete search history.

(56) **References Cited**

**U.S. PATENT DOCUMENTS**

- D499,486 S \* 12/2004 Kuhn ..... D24/146
- D504,949 S \* 5/2005 Kuhn ..... D24/152

- D520,138 S \* 5/2006 Kuhn ..... D24/152
- D533,276 S \* 12/2006 Nakanishi ..... D24/152
- D547,868 S \* 7/2007 Nakanishi ..... D24/146
- D550,358 S \* 9/2007 Nakanishi ..... D24/146
- D600,347 S \* 9/2009 Klee ..... D24/146
- D604,412 S \* 11/2009 Kobayashi ..... D24/152

(Continued)

*Primary Examiner* — Wan Laymon

(74) *Attorney, Agent, or Firm* — Scully, Scott, Murphy & Presser, P.C.

(57) **CLAIM**

The ornamental design for a dental instrument, as shown and described.

**DESCRIPTION**

FIG. 1 illustrates a front view of the dental instrument, showing a first embodiment of our new and ornamental design;

FIG. 2 illustrates a side view thereof;

FIG. 3 illustrates a back view thereof;

FIG. 4 illustrates an alternate side view thereof;

FIG. 5 illustrates an enlarged bottom view thereof;

FIG. 6 illustrates an enlarged top view thereof;

FIG. 7 illustrates a perspective view thereof;

FIG. 8 illustrates a front view of the dental instrument, showing a second embodiment of our new and ornamental design;

FIG. 9 illustrates a side view thereof;

FIG. 10 illustrates a back view thereof;

FIG. 11 illustrates an alternate side view thereof;

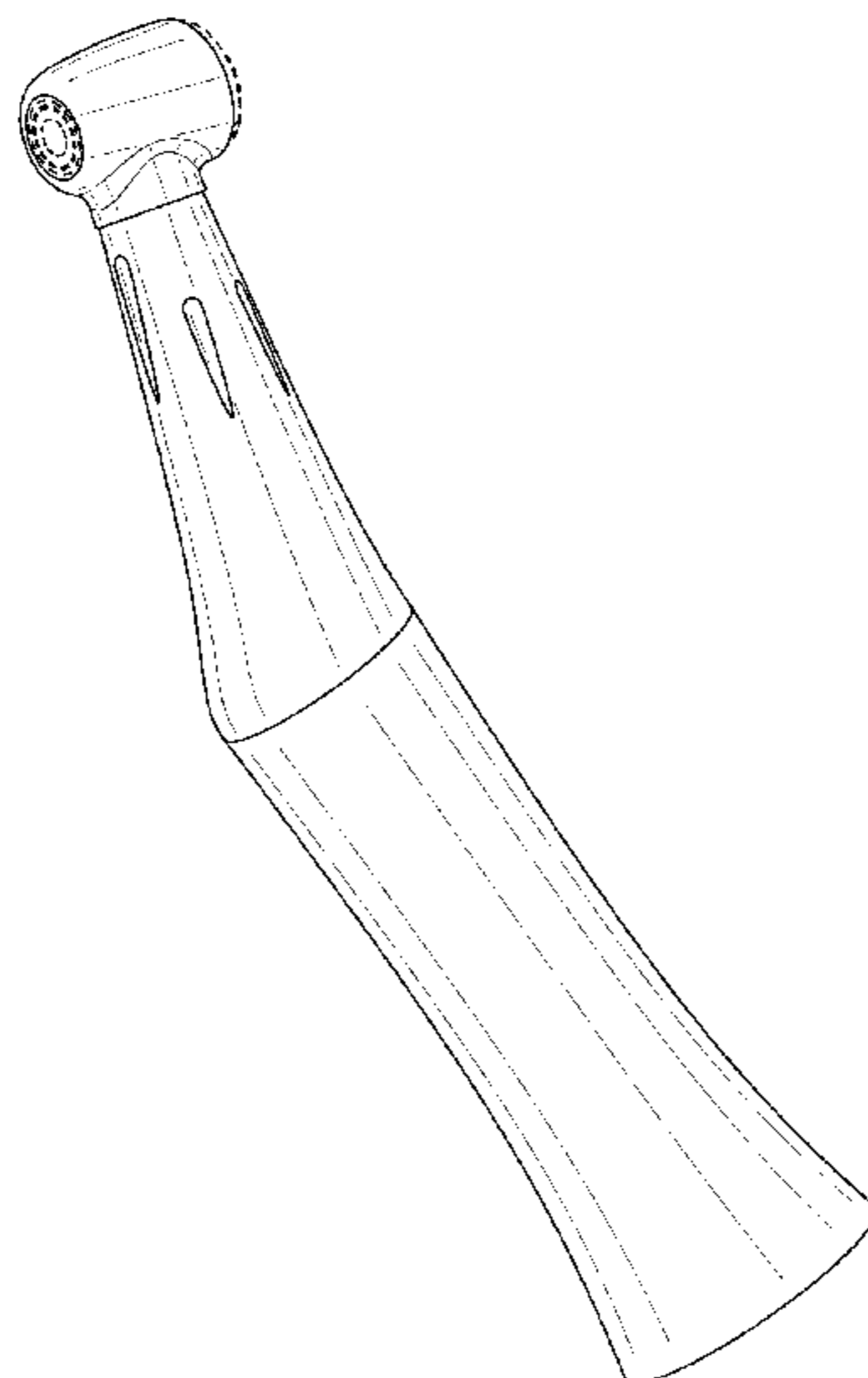
FIG. 12 illustrates an enlarged bottom view thereof;

FIG. 13 illustrates an enlarged top view thereof; and,

FIG. 14 illustrates a perspective view thereof.

The portions of the dental instrument shown in broken lines in the figures attached hereto form no part of the claimed design.

**1 Claim, 14 Drawing Sheets**



(56)

**References Cited**

U.S. PATENT DOCUMENTS

D714,443 S \* 9/2014 Tanaka ..... D24/152  
2013/0004913 A1\* 1/2013 Danger ..... A61C 1/003  
433/102

\* cited by examiner

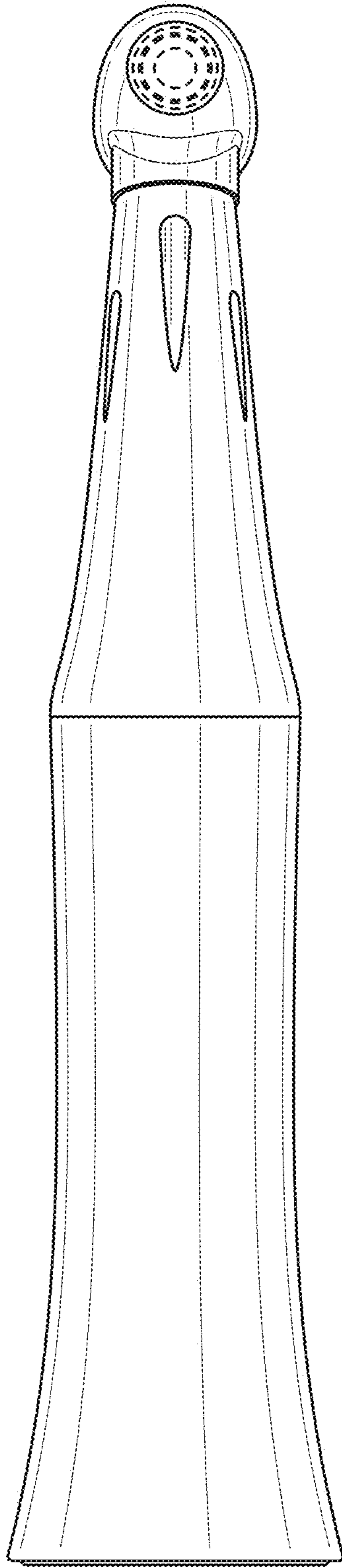


FIG. 1

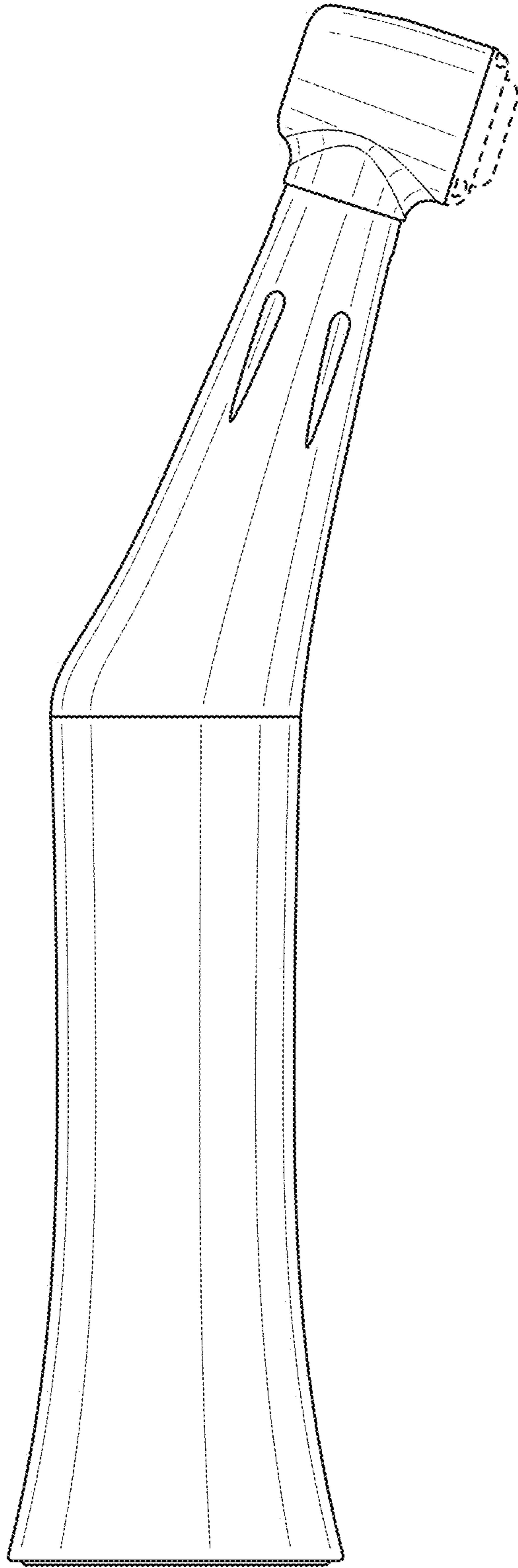


FIG. 2

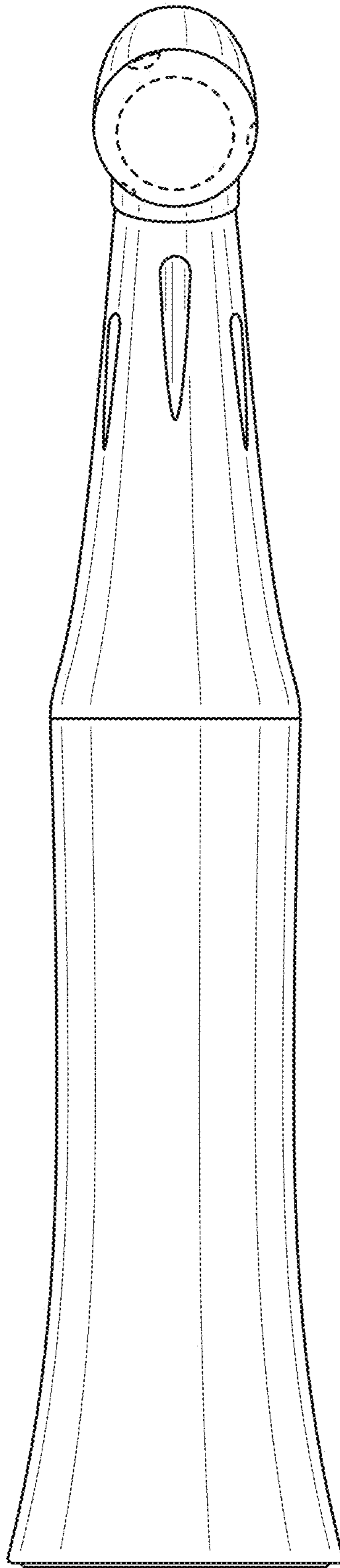


FIG. 3

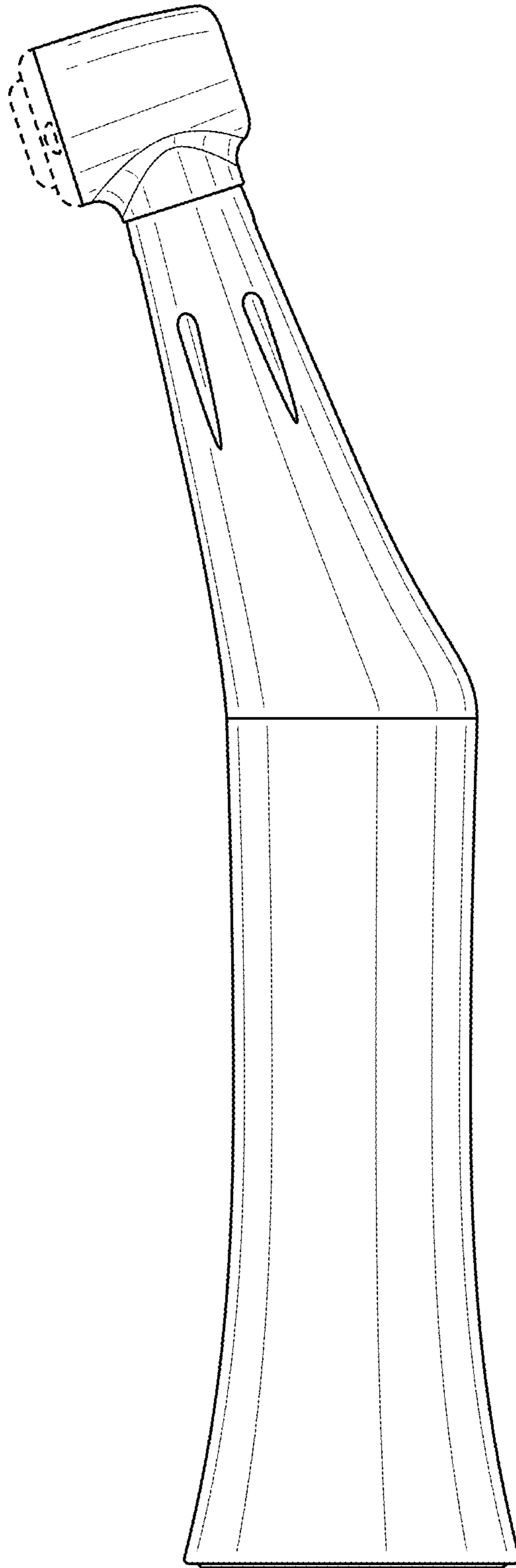


FIG. 4

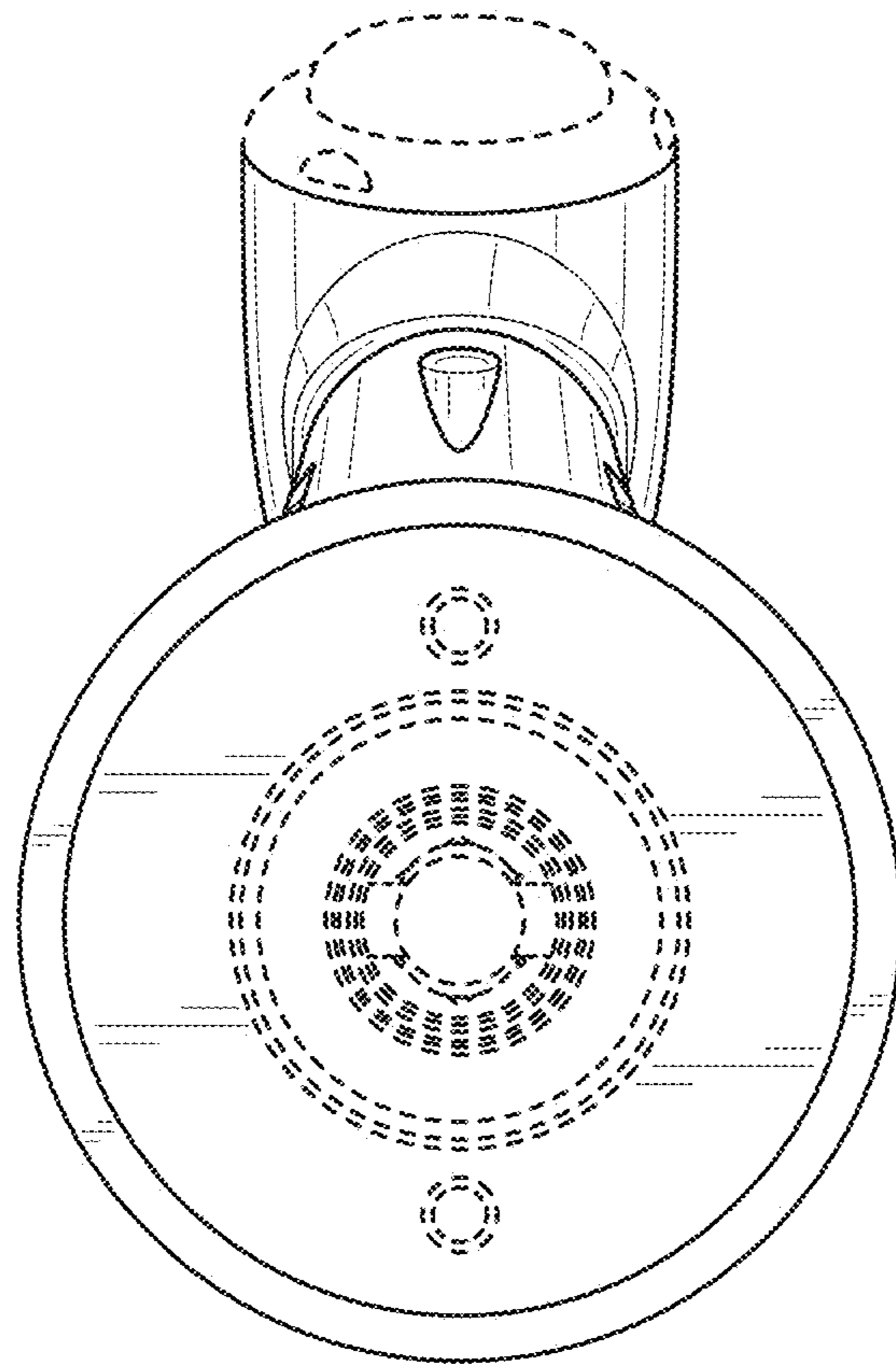


FIG. 5



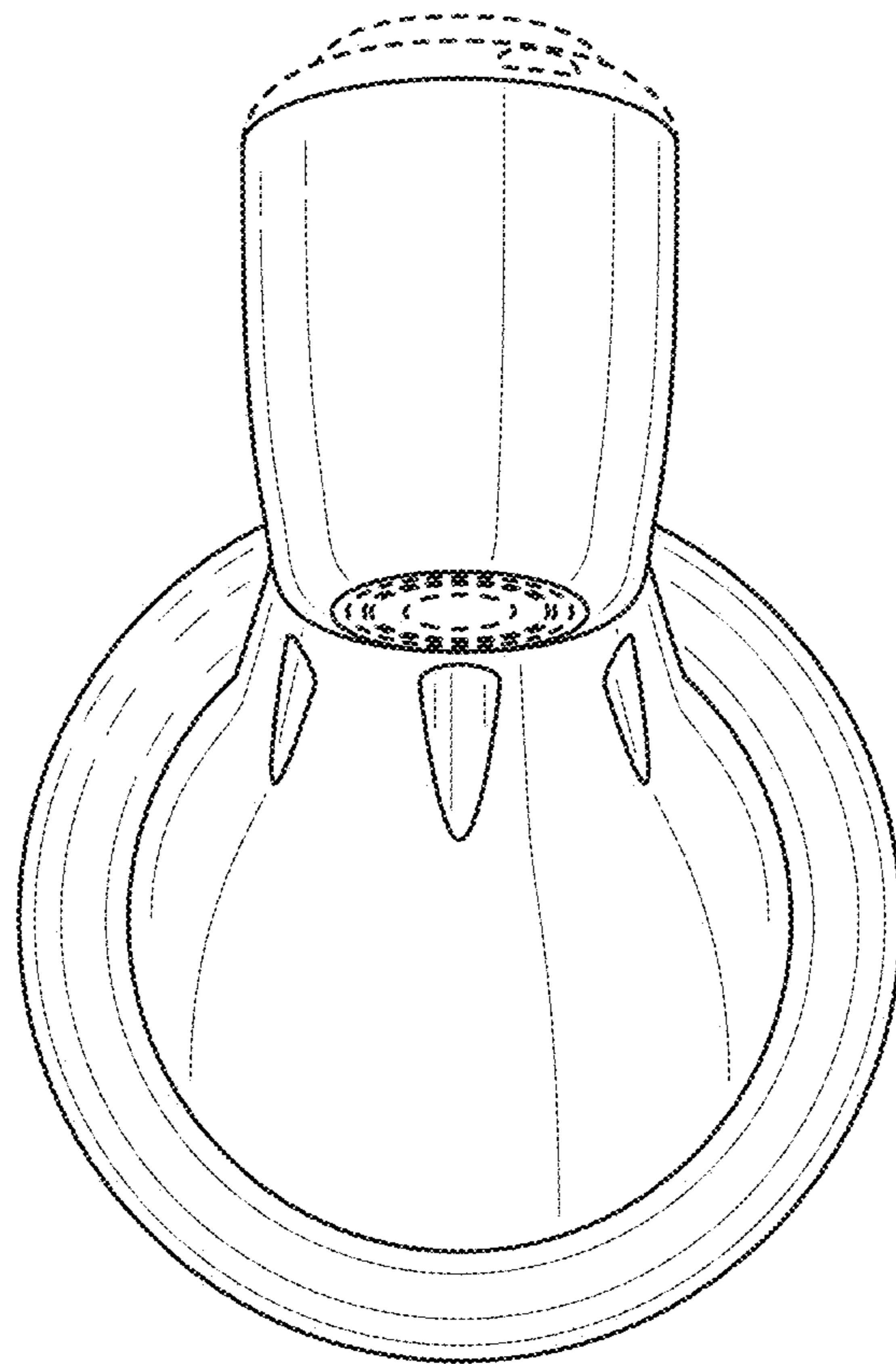


FIG. 6



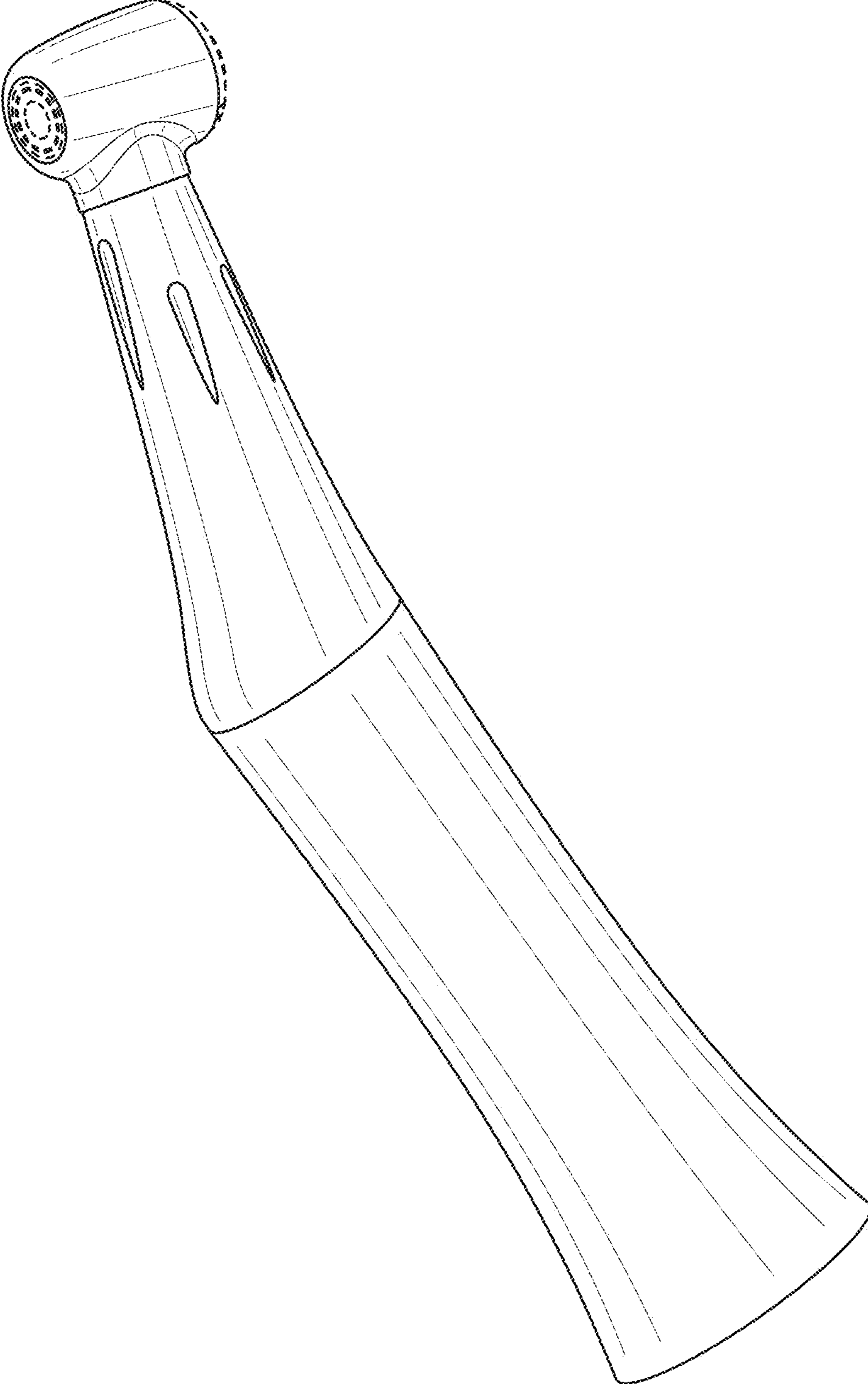


FIG. 7

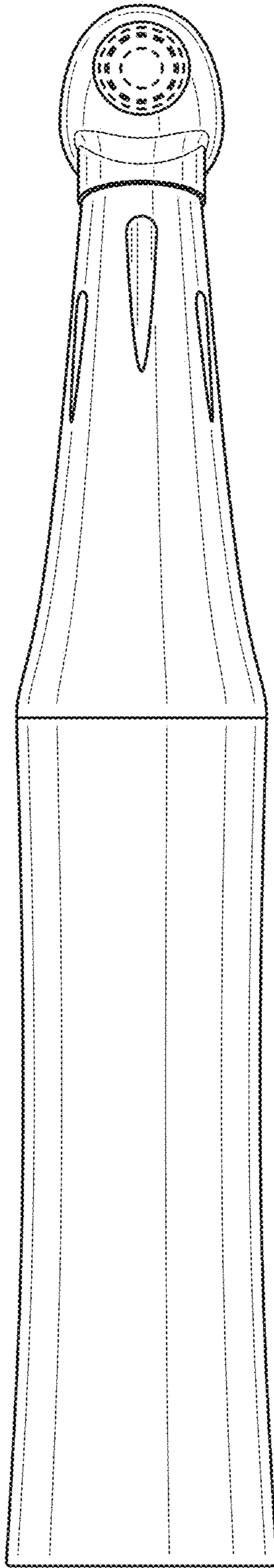


FIG. 8

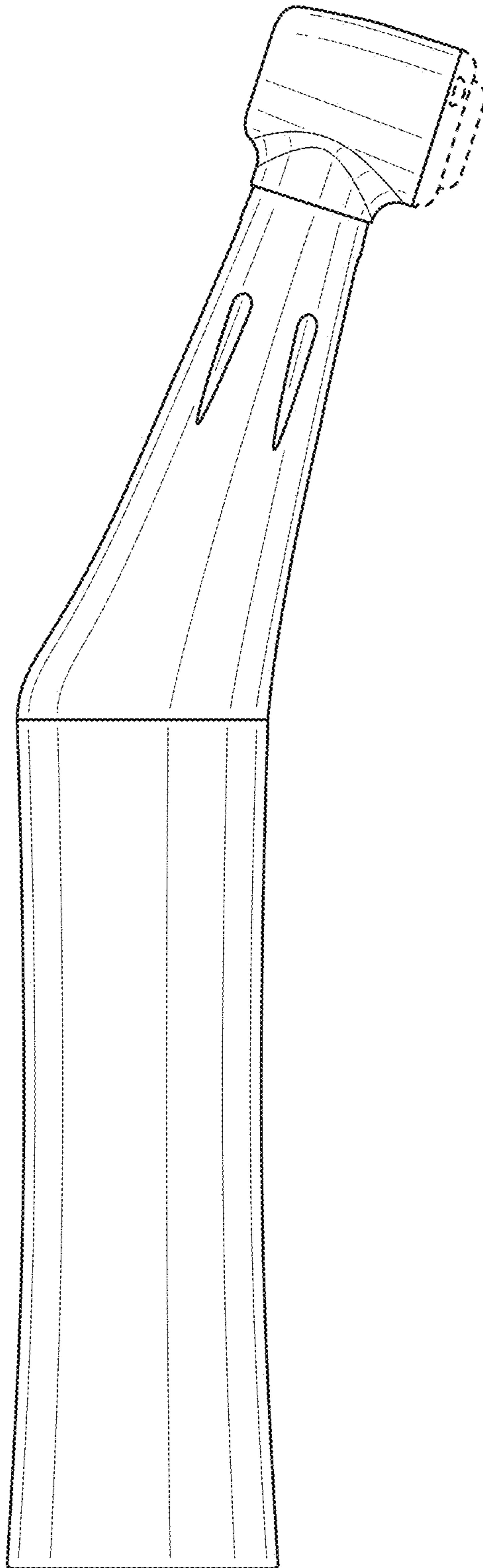


FIG. 9

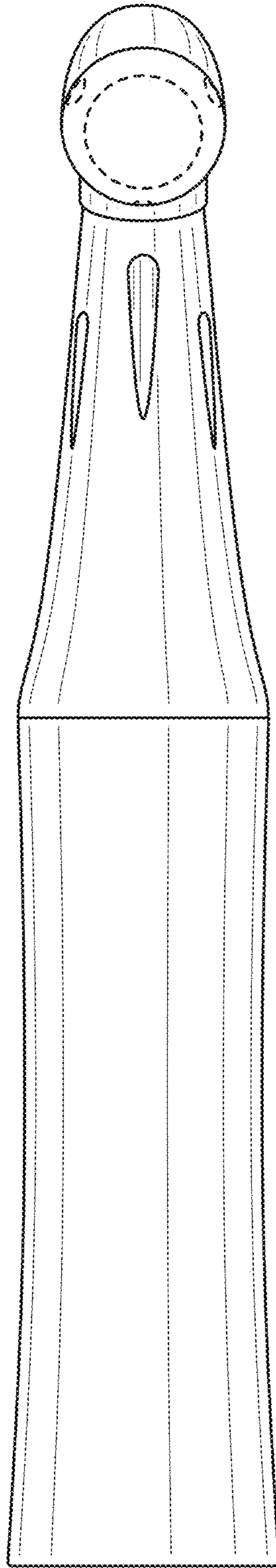


FIG. 10

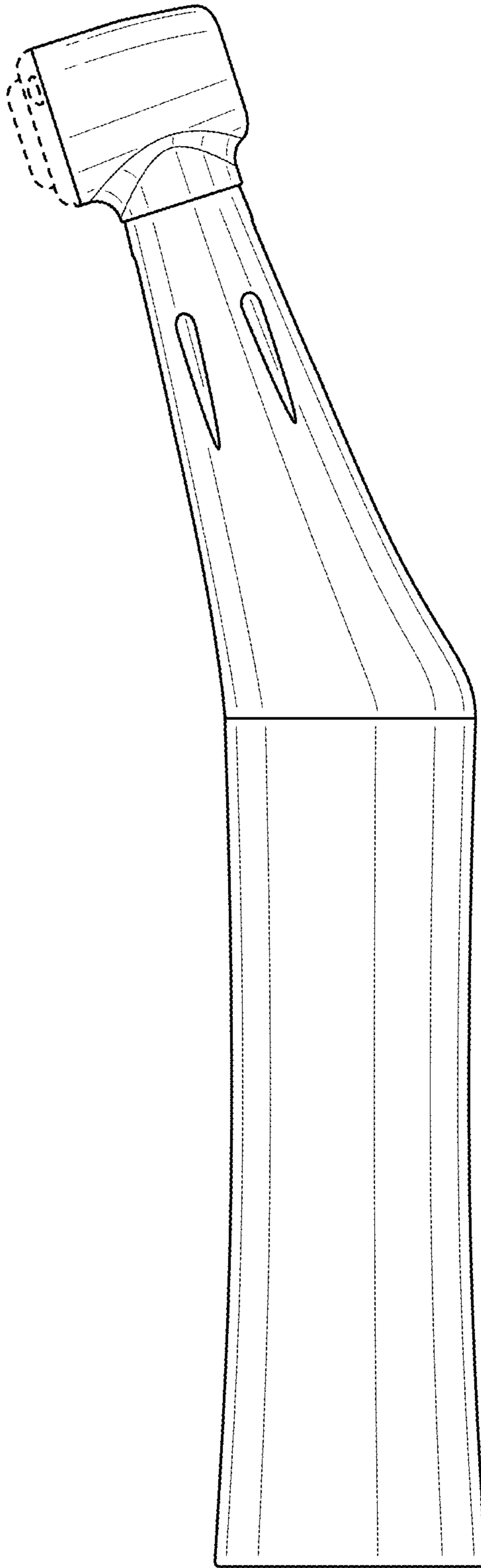


FIG. 11

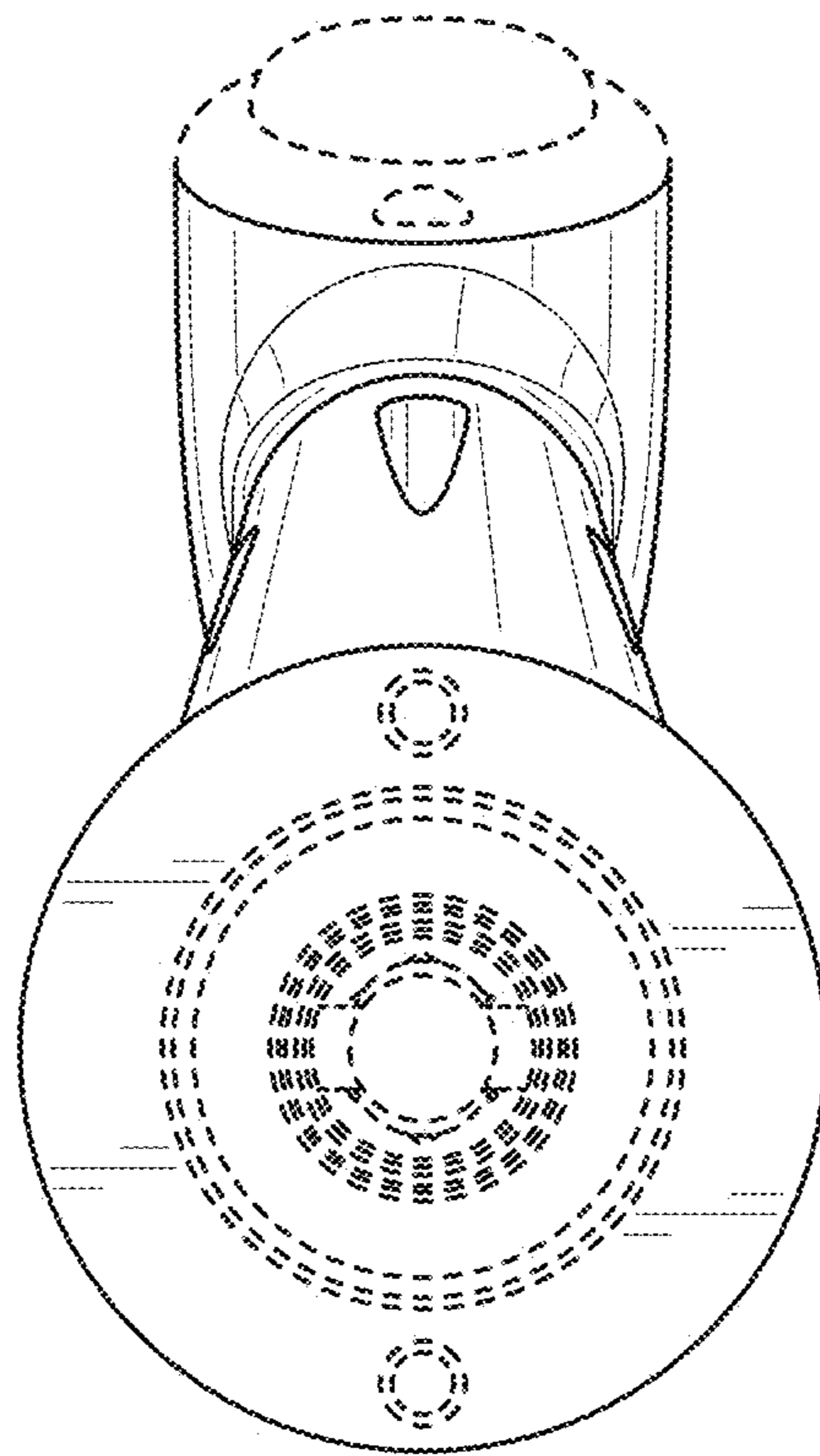


FIG. 12

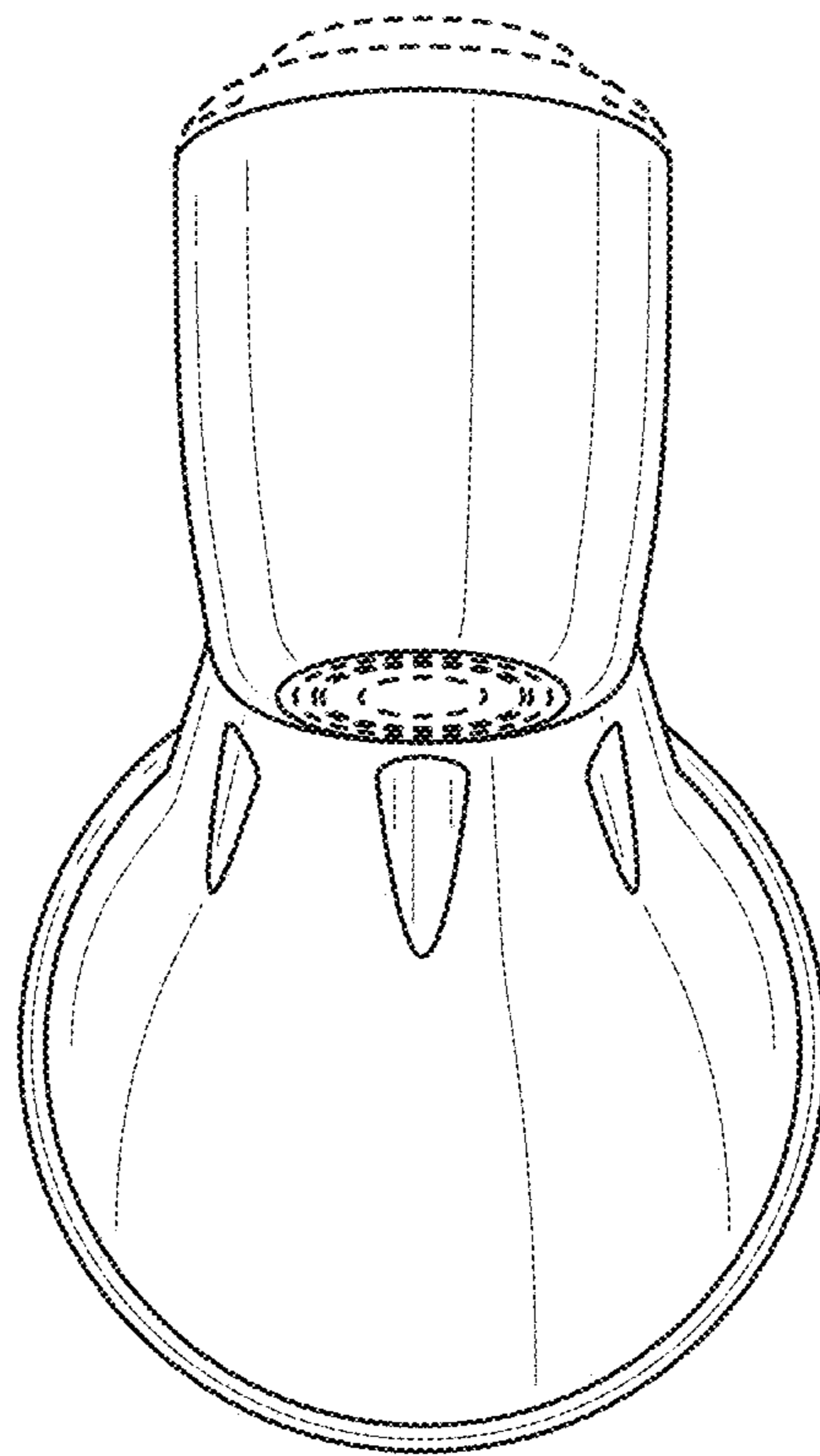


FIG. 13



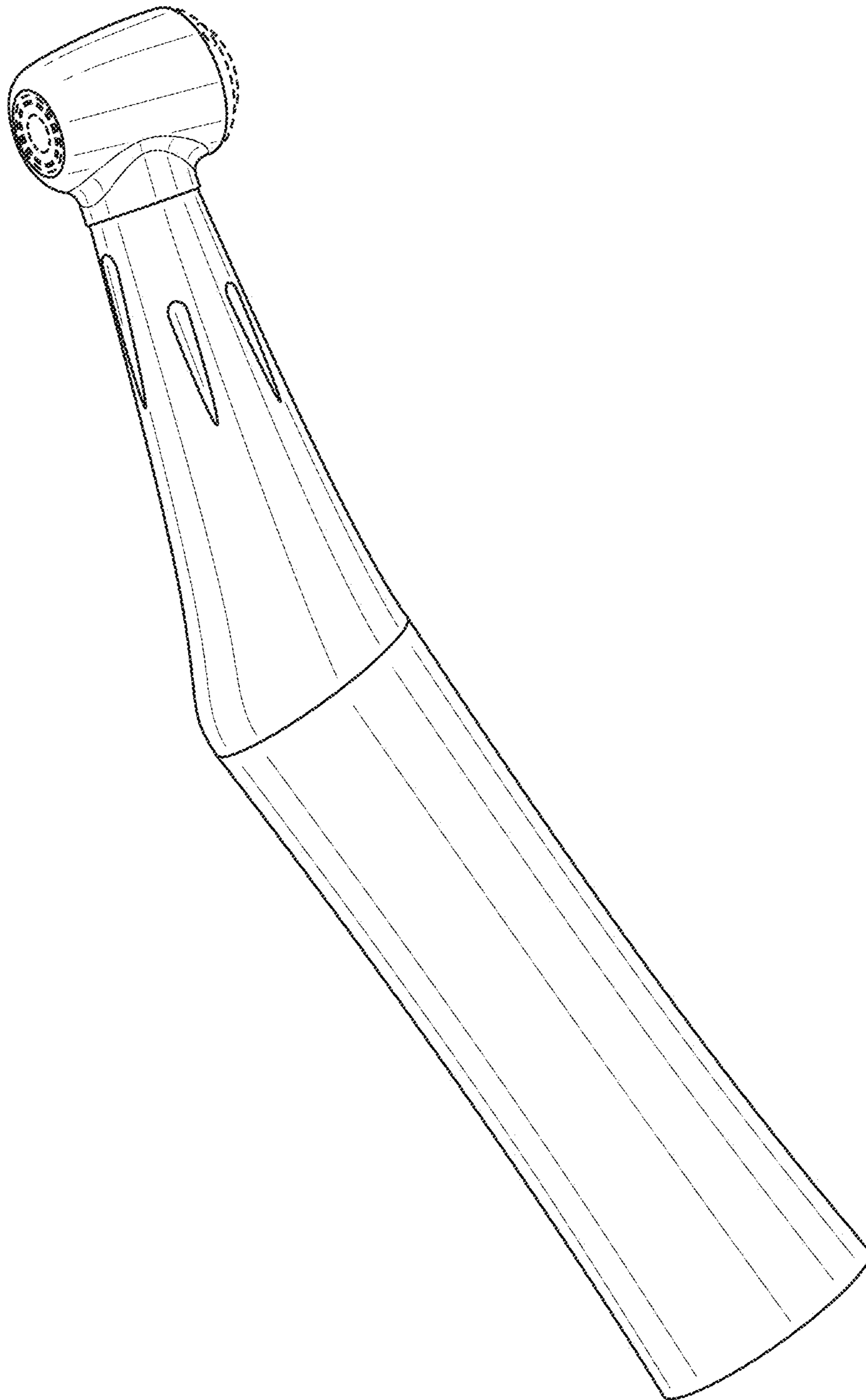


FIG. 14