



US00D875246S

(12) **United States Design Patent**
Bilodeau

(10) **Patent No.:** **US D875,246 S**

(45) **Date of Patent:** **** *Feb. 11, 2020**

- (54) **SCREWDRIVER**
- (71) Applicant: **PANTHERA DENTAL INC., Québec (CA)**
- (72) Inventor: **Jean-Pierre Bilodeau, Beaumont (CA)**
- (73) Assignee: **PANTHERA DENTAL INC., Quebec, Quebec (CA)**
- (*) Notice: This patent is subject to a terminal disclaimer.
- (**) Term: **15 Years**
- (21) Appl. No.: **29/623,770**
- (22) Filed: **Oct. 26, 2017**

(30) **Foreign Application Priority Data**

May 3, 2017 (CA) 174523

(51) **LOC (12) Cl.** **24-02**

(52) **U.S. Cl.**
USPC **D24/152**

(58) **Field of Classification Search**
 USPC D8/82, 83, 85, 107; D24/142, 152, 156; D15/139
 CPC A61C 8/0068; A61C 8/0089; A61C 1/082; A61C 1/084; A61C 1/185; A61C 3/02; A61C 3/00; A61C 8/0028; A61C 8/005; B25B 13/00; B25B 15/001; B25B 15/004; B25B 15/005; B25B 15/007
 See application file for complete search history.

(56) **References Cited**

U.S. PATENT DOCUMENTS

- 3,309,772 A * 3/1967 Lieb A61C 3/02 433/166
- 5,207,132 A * 5/1993 Goss B25B 13/065 411/402

- 6,311,989 B1 * 11/2001 Rosanwo B25B 15/001 279/75
- D537,091 S * 2/2007 Yanagimoto D15/139
- 8,978,525 B2 * 3/2015 Farre Berga B25B 13/481 81/436
- 9,039,415 B2 * 5/2015 Streff A61C 8/0048 433/173
- D759,456 S * 6/2016 Liu D8/86
- D773,272 S * 12/2016 Su D8/86
- 9,763,754 B2 9/2017 Haus
- D813,003 S * 3/2018 Chang D8/70
- D827,406 S * 9/2018 Su D8/86
- D833,247 S * 11/2018 Huang D8/86
- D845,484 S * 4/2019 Bilodeau D24/152
- 2011/0200964 A1 * 8/2011 Matsutani A61C 3/02 433/165
- 2012/0103147 A1 * 5/2012 Farre Berga B25B 13/481 81/460
- 2014/0186797 A1 * 7/2014 Haus A61C 8/0001 433/173

(Continued)

Primary Examiner — Philip S Hyder

(74) *Attorney, Agent, or Firm* — Merchant & Gould P.C.

(57) **CLAIM**

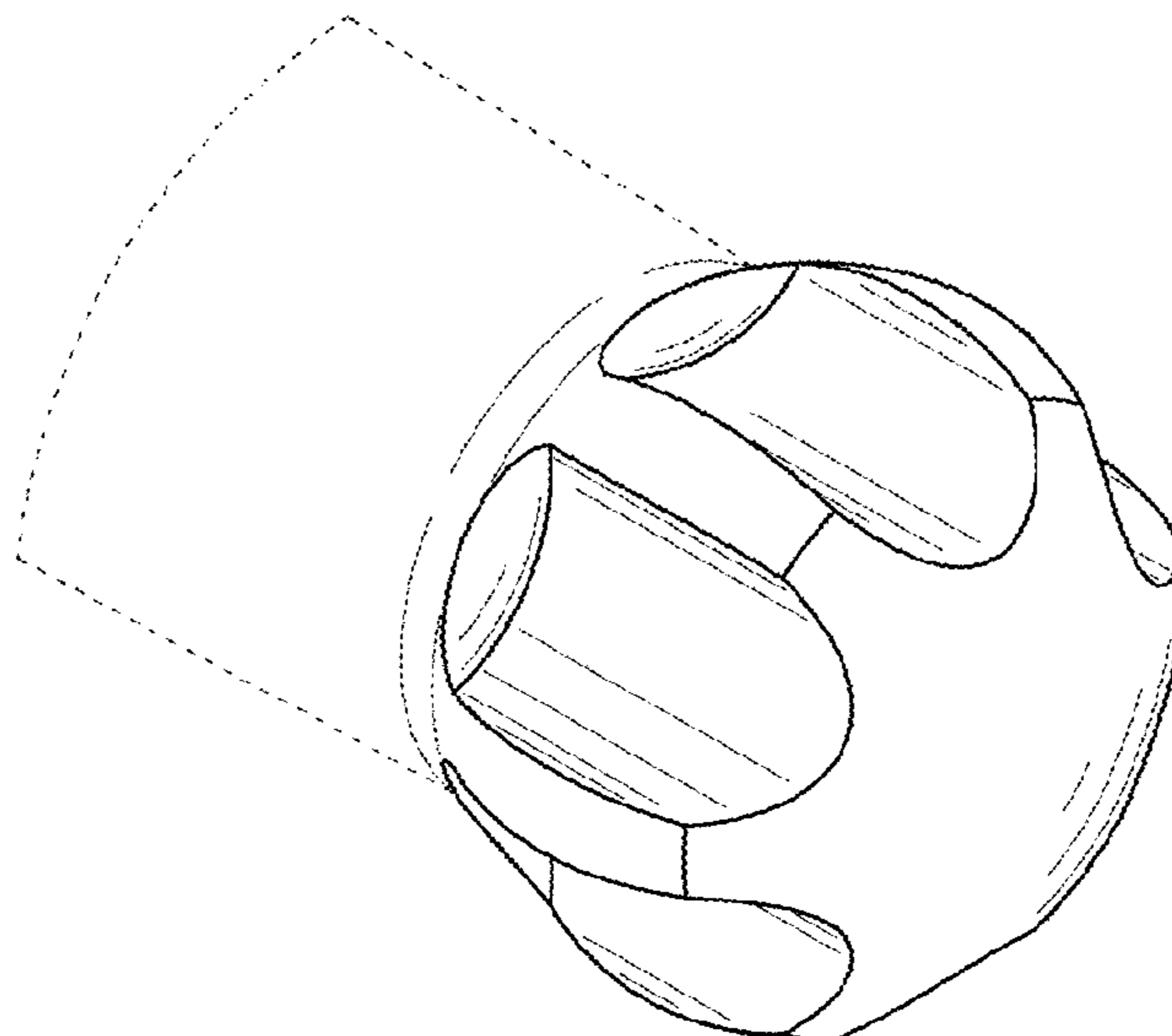
The ornamental design for a screwdriver, as shown and described.

DESCRIPTION

FIG. 1 is a perspective view of a screwdriver showing my new design;
 FIG. 2 is a left-side elevation view thereof;
 FIG. 3 is a right-side elevation view thereof;
 FIG. 4 is a top plan view thereof;
 FIG. 5 is a bottom plan view thereof;
 FIG. 6 is an enlarged front elevation view thereof;
 FIG. 7 is an enlarged rear elevation view thereof; and,
 FIG. 8 is an enlarged perspective view of a front portion thereof.

The portions shown in broken lines form no part of the claimed design.

1 Claim, 5 Drawing Sheets



(56)

References Cited

U.S. PATENT DOCUMENTS

2015/0258669 A1 * 9/2015 Su B25B 23/0035
81/438

* cited by examiner

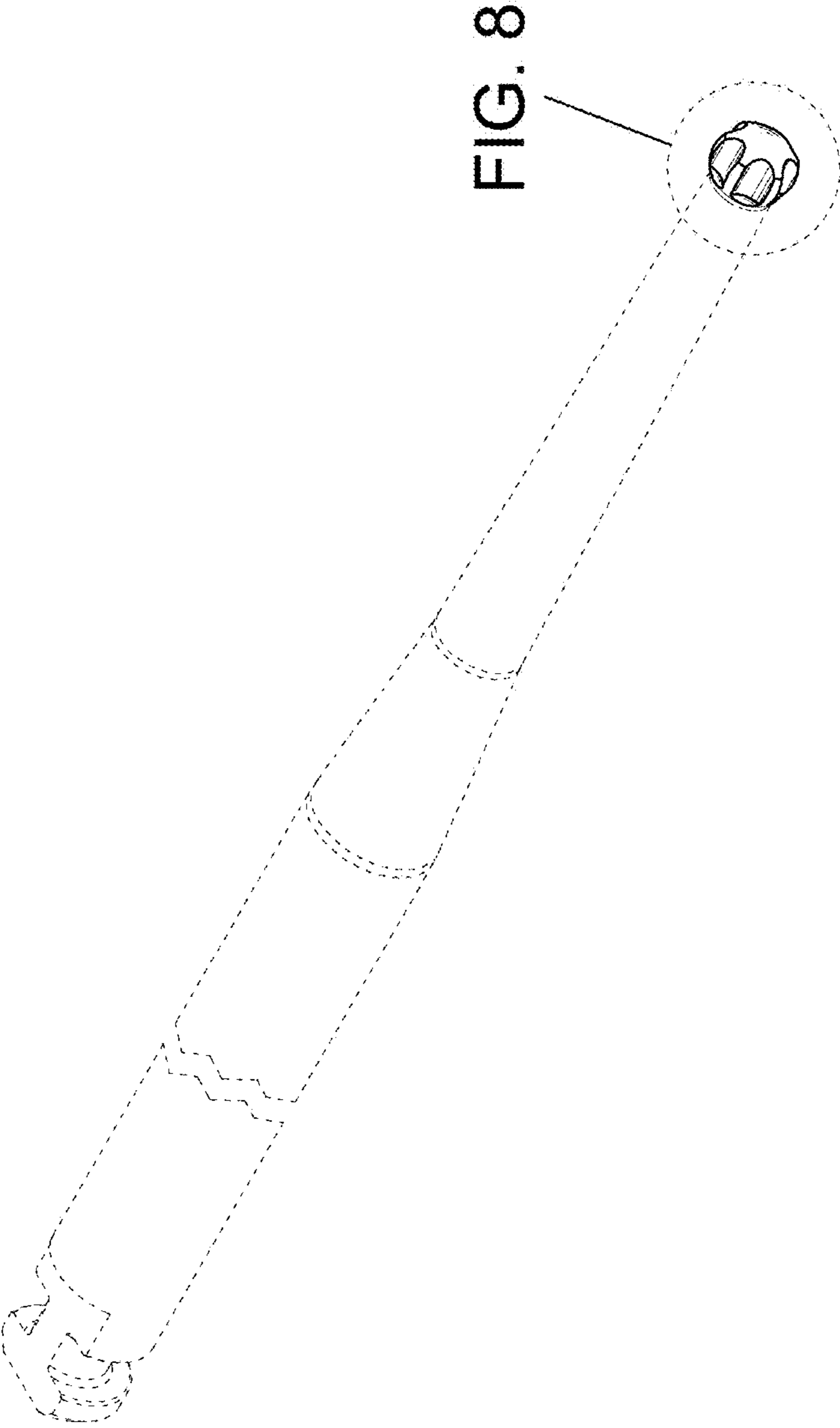


FIG. 1

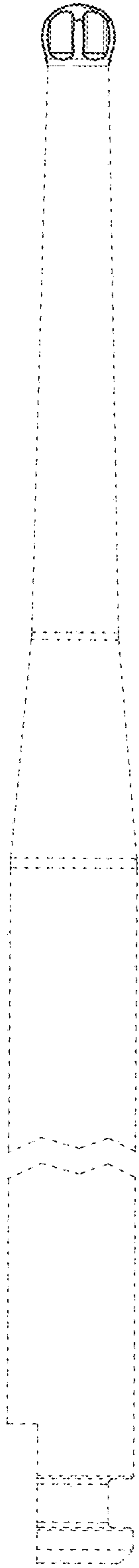


FIG. 2

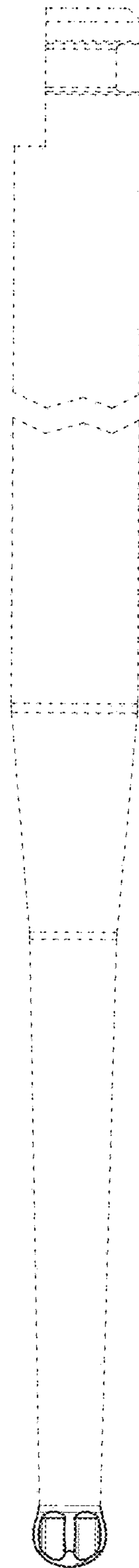


FIG. 3



FIG. 4

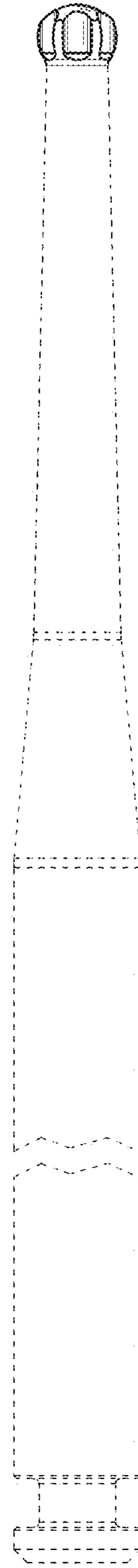


FIG. 5

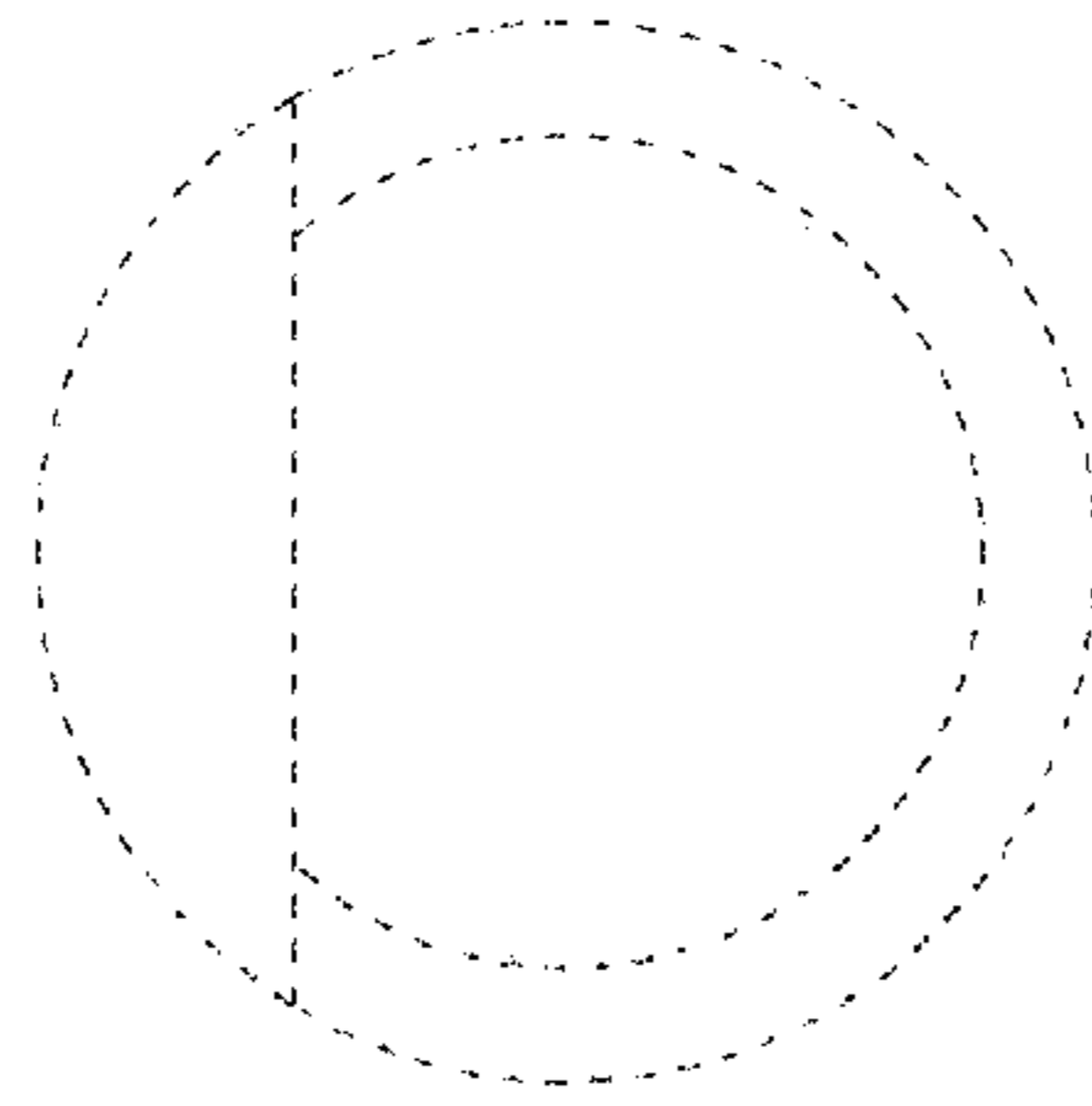


FIG. 7

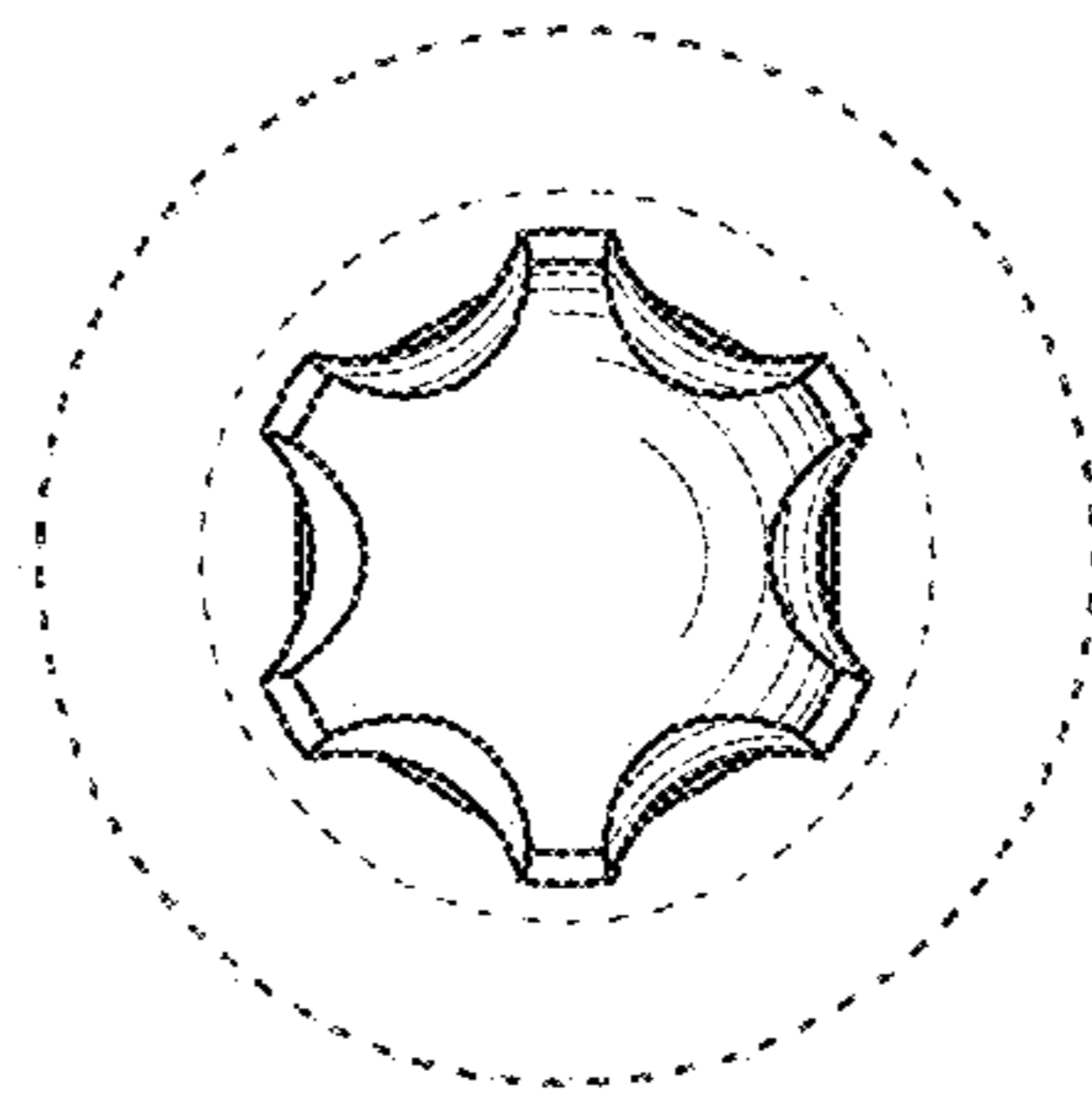


FIG. 6

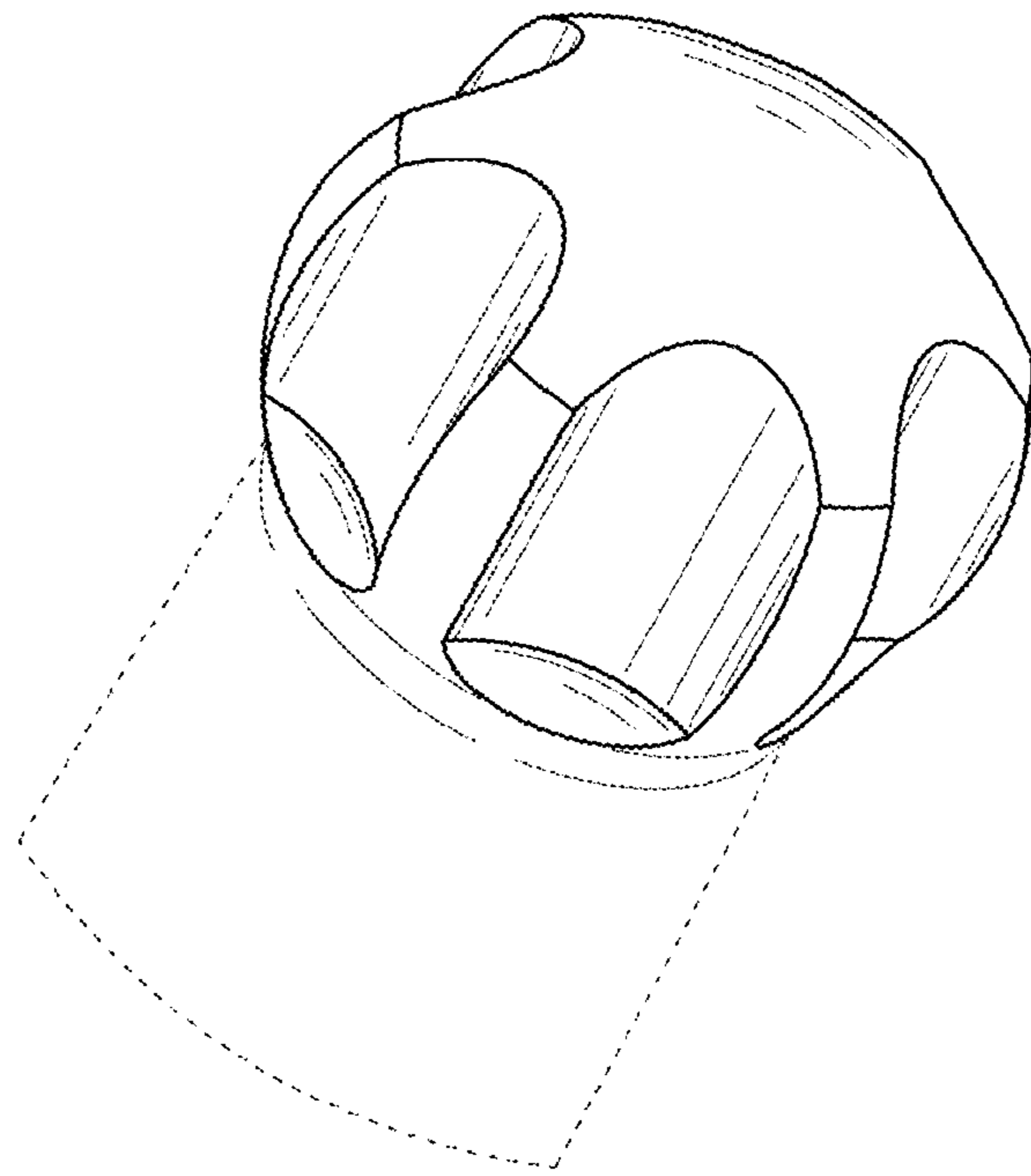


FIG. 8