



US00D875245S

(12) **United States Design Patent**  
**Di Sessa et al.**

(10) **Patent No.:** **US D875,245 S**

(45) **Date of Patent:** **\*\* Feb. 11, 2020**

(54) **LASER SYSTEM**

(71) Applicant: **Azena Medical, LLC**, Walnut Creek, CA (US)

(72) Inventors: **Alexandre B. Di Sessa**, Walnut Creek, CA (US); **Kenneth Lester Blanchard**, Vacaville, CA (US)

(73) Assignee: **Azena Medical, LLC**, Walnut Creek, CA (US)

(\*\*) Term: **15 Years**

(21) Appl. No.: **29/670,689**

(22) Filed: **Nov. 19, 2018**

**Related U.S. Application Data**

(63) Continuation of application No. 29/585,060, filed on Nov. 19, 2016, now Pat. No. Des. 842,469.

(51) **LOC (12) Cl.** ..... **24-02**

(52) **U.S. Cl.**

USPC ..... **D24/144**

(58) **Field of Classification Search**

USPC ..... D24/144, 146, 133, 107, 112, 130, D24/185-186, 152, 176; D14/341, 485, D14/487-488; D18/26; D10/49-50, 64, D10/65, 122, 126, 30; D16/134; D20/11  
CPC ..... A61B 18/20; A61B 18/201; A61B 18/22; A61B 2018/202; A61B 2017/00199; A61B 5/00; A61C 1/0046; A61C 1/07; A61C 17/20; G06F 3/048; G06F 3/0481; G06F 3/04817; G06F 3/0482; G09G 3/30; G09G 2320/064

See application file for complete search history.

(56) **References Cited**

**U.S. PATENT DOCUMENTS**

D322,415 S 12/1991 Ritchie  
6,129,721 A \* 10/2000 Kataoka ..... A61B 18/22  
606/2

D453,966 S \* 2/2002 Claren ..... D24/144  
D553,142 S 10/2007 Blencowe  
7,443,296 B2 \* 10/2008 Mezhinsky ..... A61F 9/008  
340/572.1  
7,695,469 B2 4/2010 Boutoussov  
7,815,630 B2 \* 10/2010 Rizoii ..... A61B 18/20  
606/1  
8,192,359 B2 \* 6/2012 Kusakabe ..... A61B 5/00  
433/27  
8,195,313 B1 6/2012 Fadell  
(Continued)

**OTHER PUBLICATIONS**

Notice of Allowance dated Sep. 19, 2019 for U.S. Appl. No. 29/670,685.

(Continued)

*Primary Examiner* — Wan Laymon

(74) *Attorney, Agent, or Firm* — Stoel Rives LLP

(57) **CLAIM**

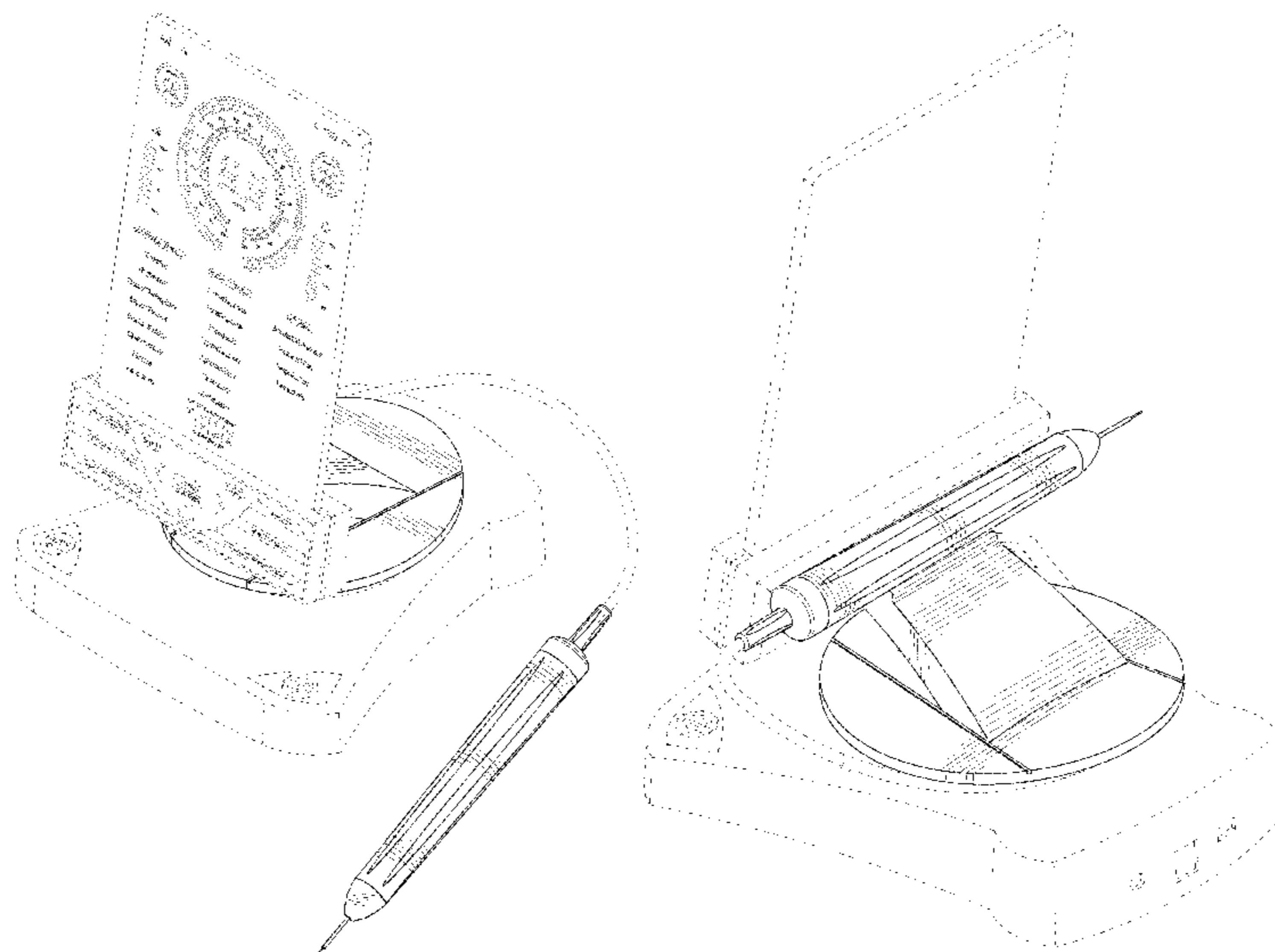
The ornamental design for a laser system, as shown and described.

**DESCRIPTION**

FIG. 1 is a front perspective view of an embodiment of a laser system showing our new design; FIG. 2 is another front perspective view thereof; FIG. 3 is a rear perspective view thereof; FIG. 4 is a front elevation view thereof; FIG. 5 is a rear elevation view thereof; FIG. 6 is a right elevation view thereof; FIG. 7 is a left elevation view thereof; FIG. 8 is a top plan view thereof; and, FIG. 9 is a bottom plan view thereof.

The broken lines are directed to environment and are for illustrative purposes only; the broken lines form no part of the claimed design.

**1 Claim, 9 Drawing Sheets**



(56)

**References Cited**

U.S. PATENT DOCUMENTS

D687,043	S	7/2013	Matas	
D687,057	S	7/2013	Plitkins	
8,850,348	B2	9/2014	Fadell	
D841,163	S	2/2019	Di Sessa	
10,304,374	B2 *	5/2019	Di Sessa .....	G09G 3/30
2010/0082020	A1 *	4/2010	Gong .....	A61B 18/20 606/12
2013/0330684	A1 *	12/2013	Dillon .....	A61B 1/00039 433/29
2015/0073399	A1 *	3/2015	Boitor .....	G02B 6/4292 606/15

OTHER PUBLICATIONS

Notice of Allowance dated Sep. 20, 2019 for U.S. Appl. No. 29/670,683.

\* cited by examiner

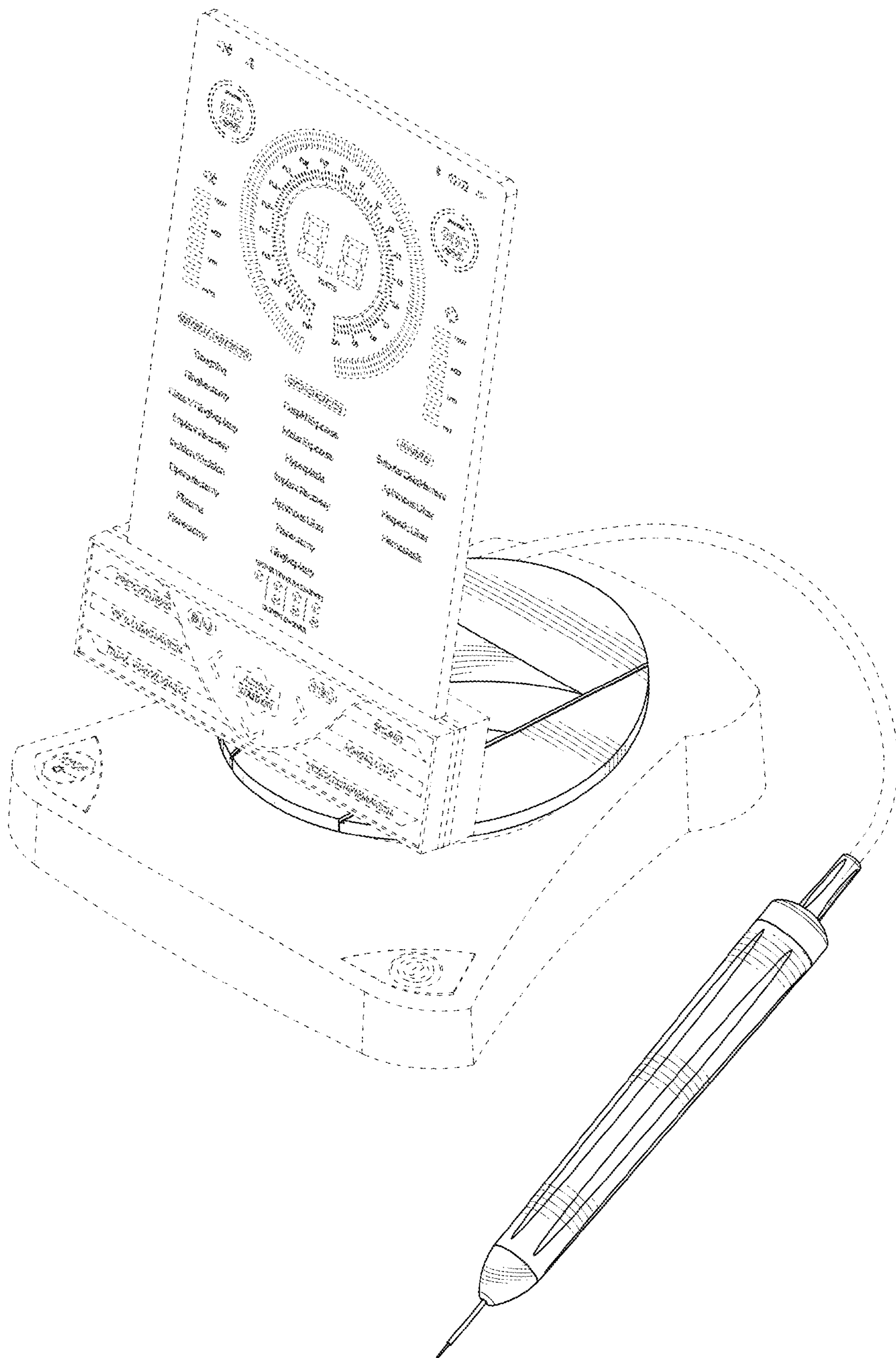


FIG. 1

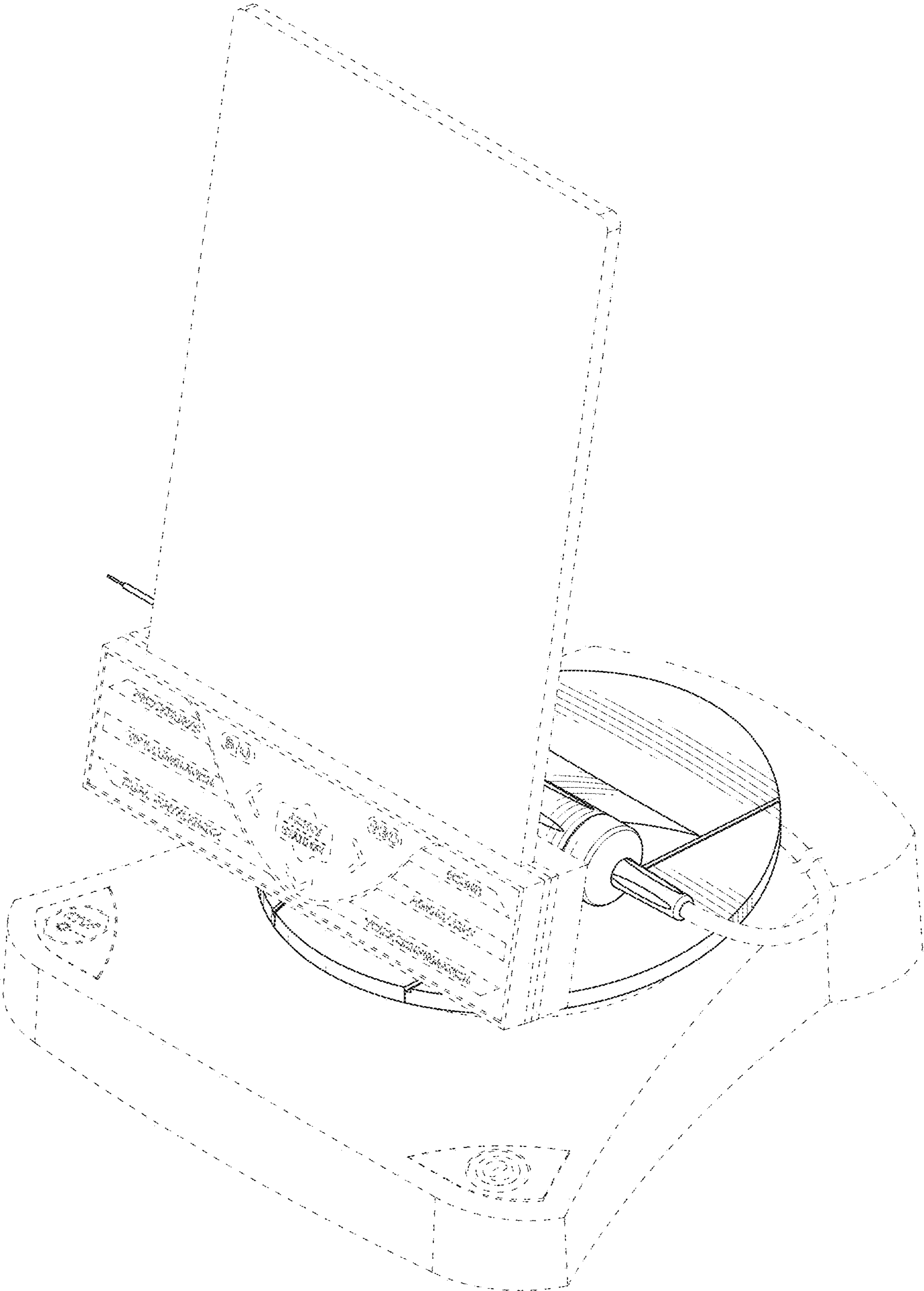


FIG. 2

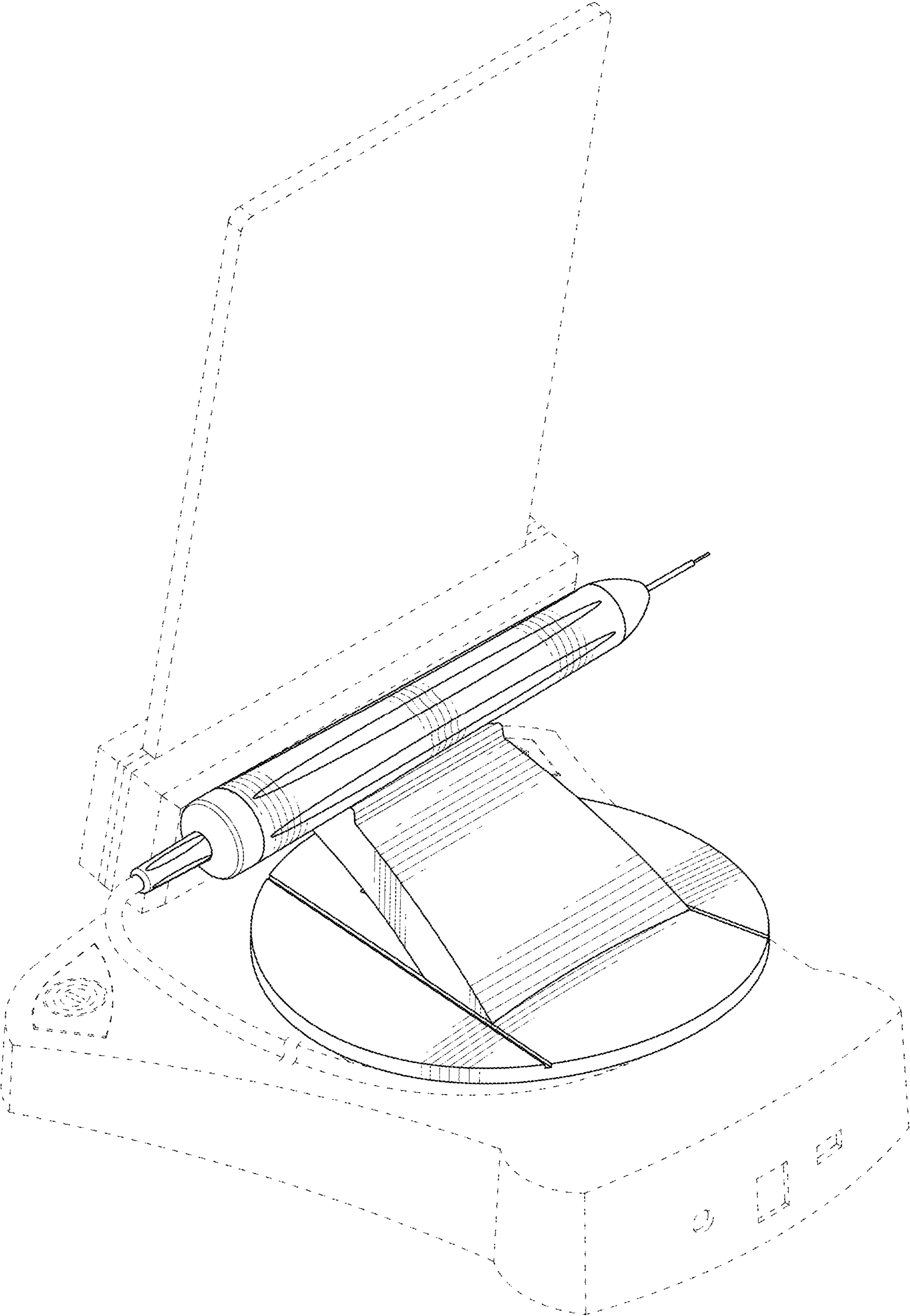


FIG. 3

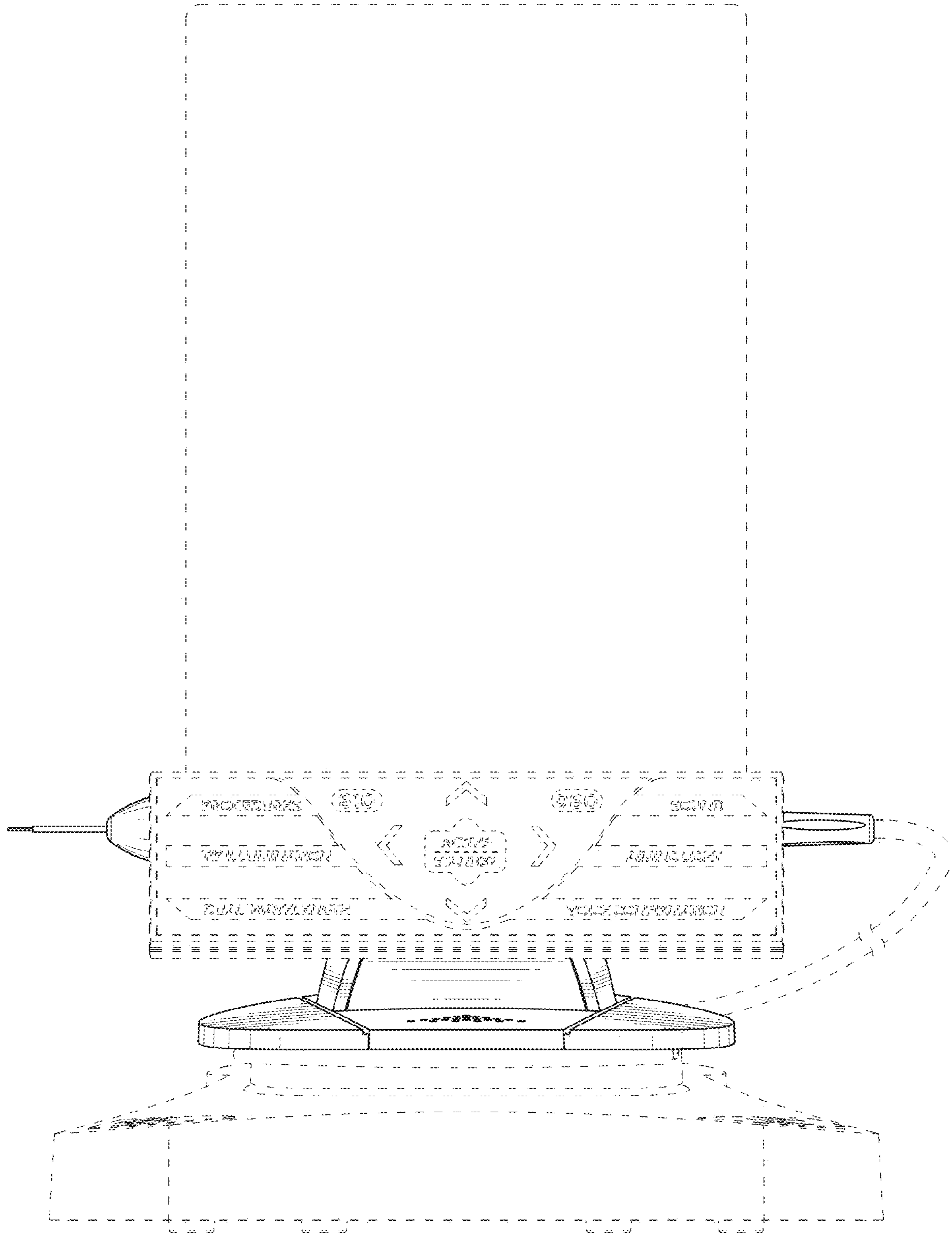


FIG. 4

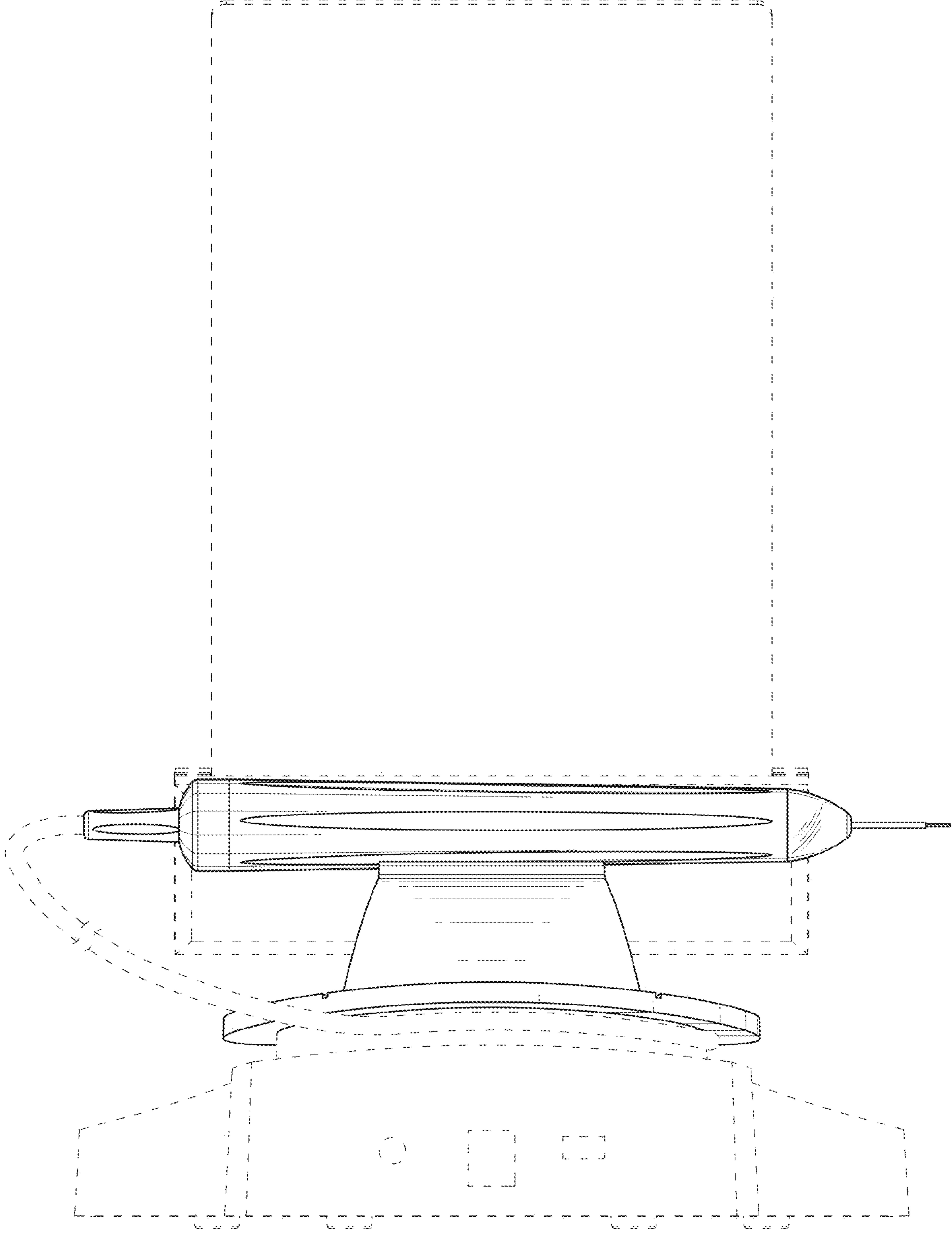


FIG. 5

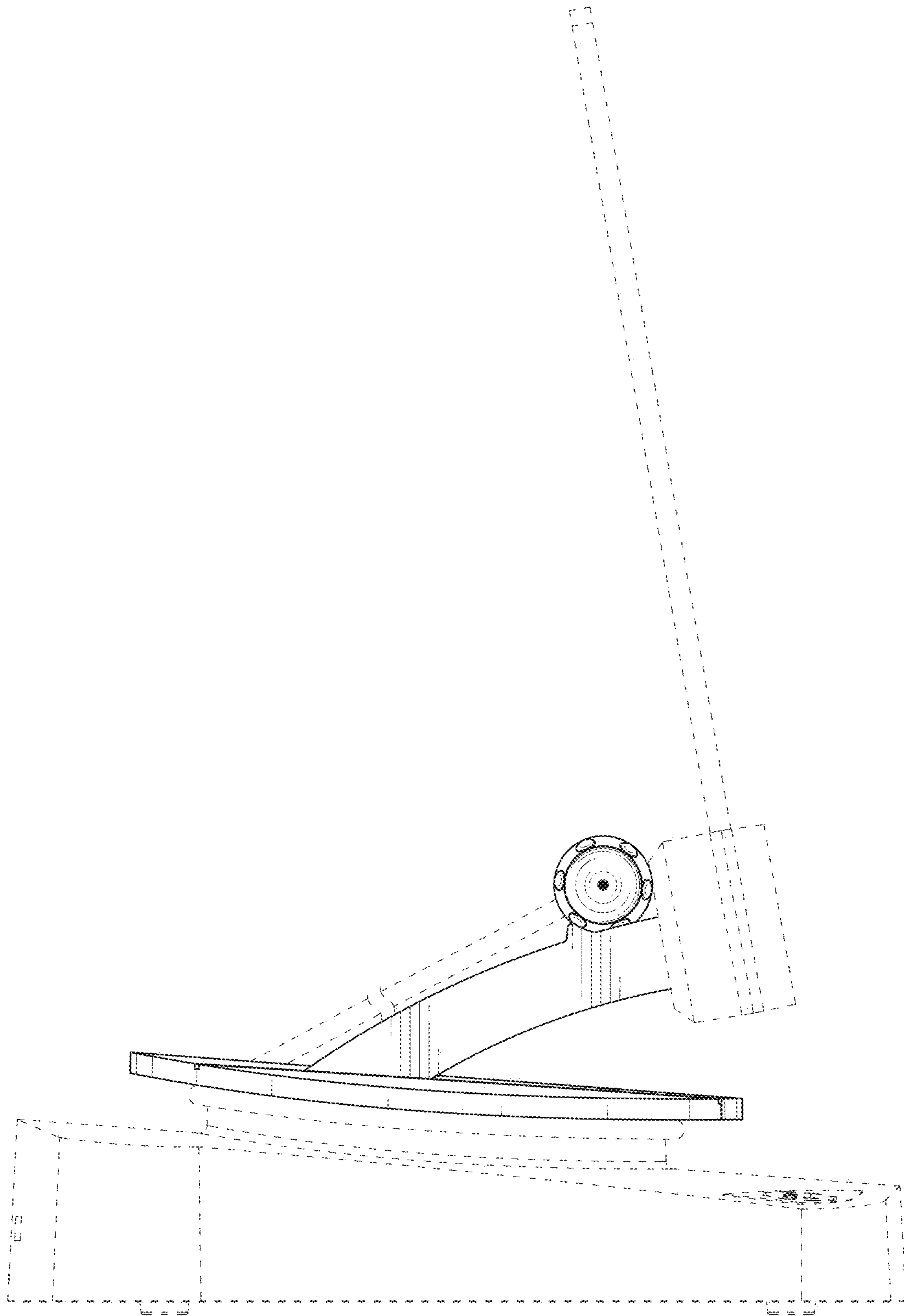


FIG. 6



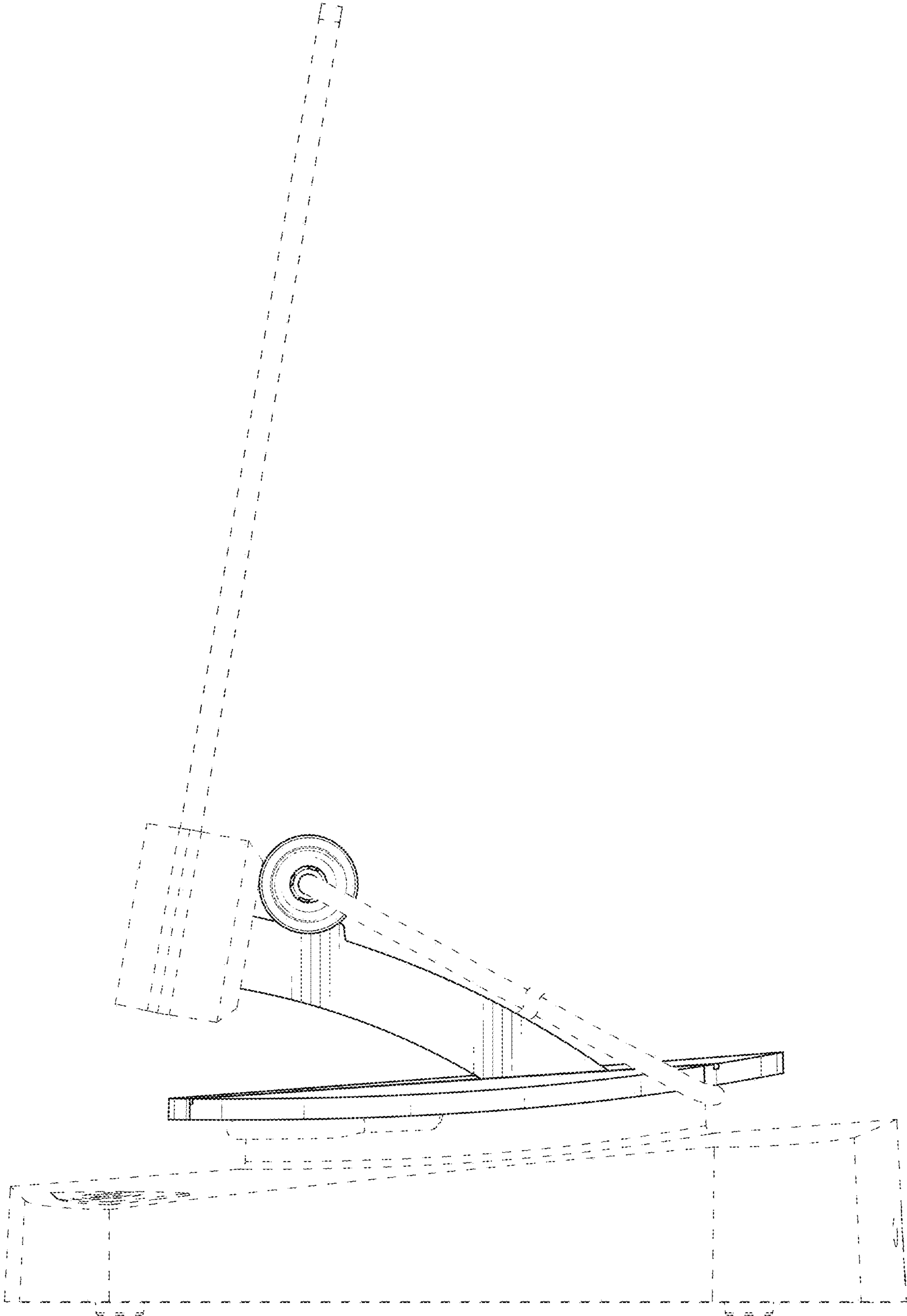


FIG. 7

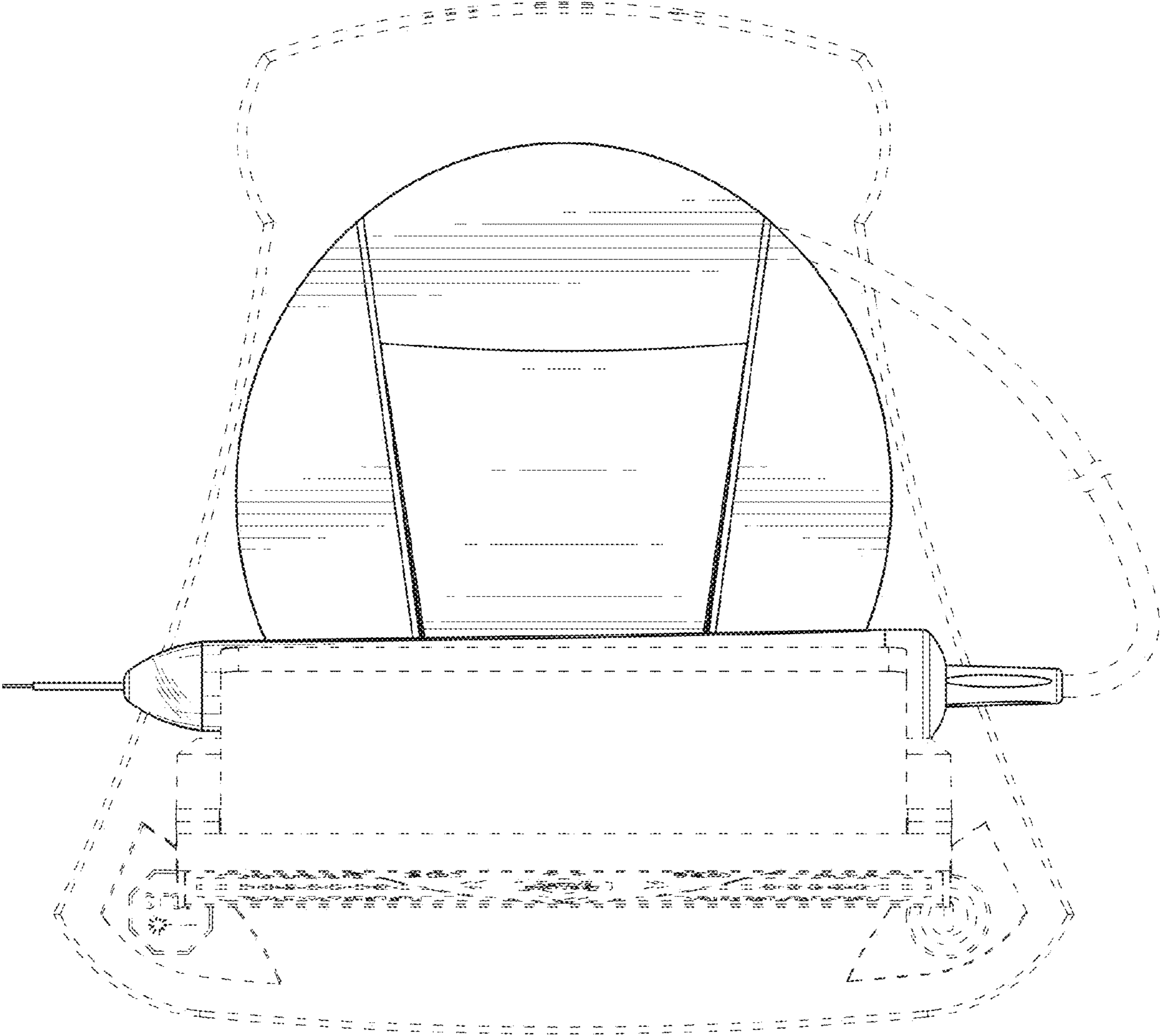


FIG. 8

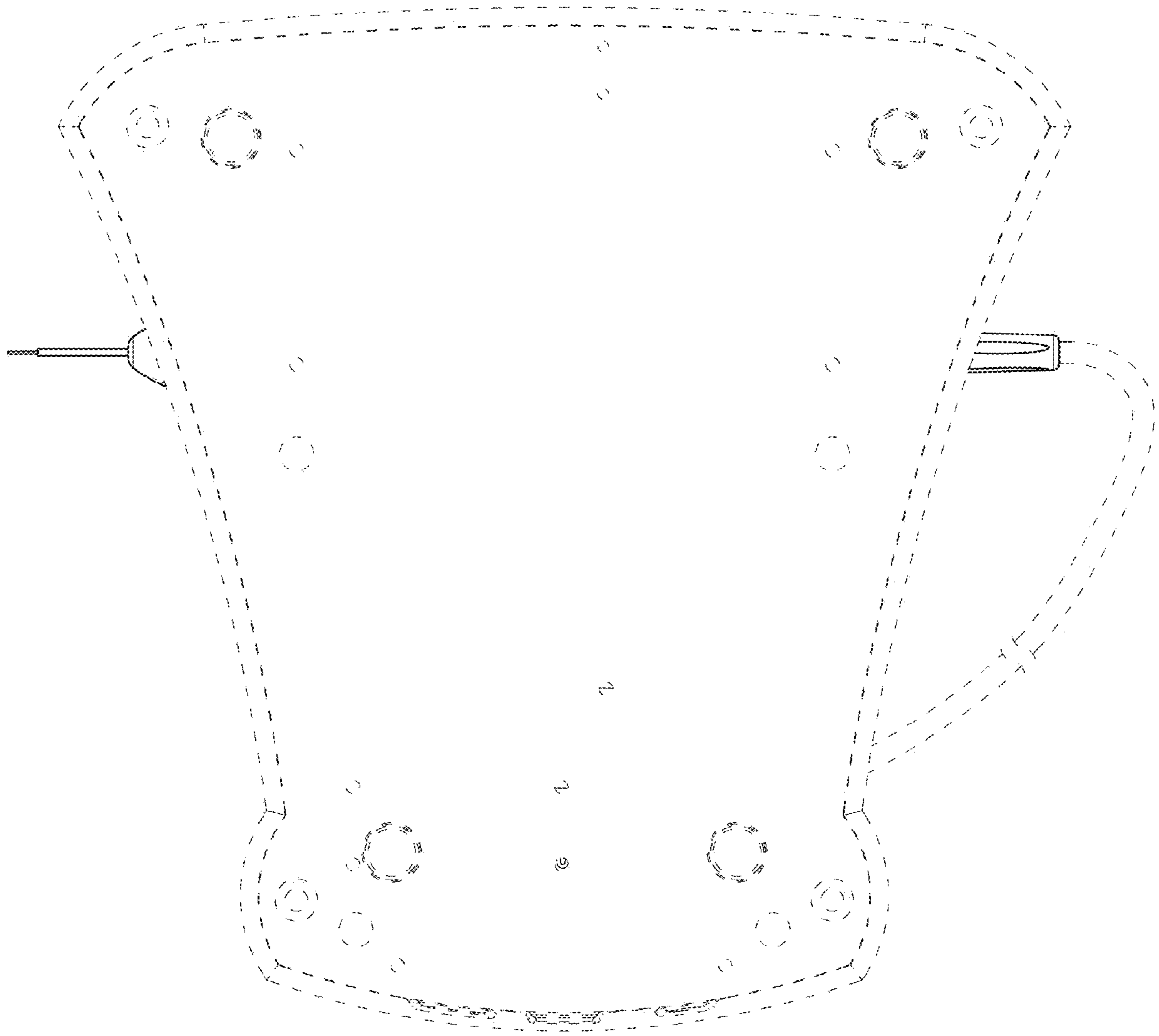


FIG. 9