



US00D875244S

(12) **United States Design Patent** (10) **Patent No.:** **US D875,244 S**
Wainberg et al. (45) **Date of Patent:** **** Feb. 11, 2020**

(54) **CARTRIDGE FOR SKIN TREATMENT DEVICE**

(71) Applicant: **E.S.I Novel Ltd.**, Herzeliya Pituach (IL)

(72) Inventors: **Arie Wainberg**, Yokneam Ilit (IL); **Gdalihu Almuznino**, Migdal HaEmek (IL); **Alexander Treystman**, Migdal HaEmek (IL)

(73) Assignee: **E.S.I Novel Ltd.** (IL)

(**) Term: **15 Years**

(21) Appl. No.: **29/643,130**

(22) Filed: **Apr. 4, 2018**

(51) **LOC (12) Cl.** **24-02**

(52) **U.S. Cl.**
USPC **D24/130**

(58) **Field of Classification Search**
USPC D24/127-131, 112-114, 133, 186;
606/181, 185; 604/264, 523-528, 272,
604/187, 158, 164.01-164.11, 181, 184,
604/227; 600/101, 139, 143;
128/200.24, 207.14, 207.15
CPC A61M 25/00; A61M 39/00; A61M 27/00;
A61M 25/0043; A61M 25/0067; A61F
2/958
See application file for complete search history.

(56) **References Cited**

U.S. PATENT DOCUMENTS

D450,382 S * 11/2001 Nestenborg D24/112
6,383,173 B1 * 5/2002 Hunt A61M 39/12
604/187

D533,270 S * 12/2006 Kierce D24/112
D703,812 S * 4/2014 Cederschiold D24/129
D728,780 S * 5/2015 Pieroni D24/112
D728,781 S * 5/2015 Pierson D24/112
D771,248 S * 11/2016 Ruiz, Sr. D24/133
D771,819 S * 11/2016 Pieroni D24/112
D774,908 S * 12/2016 Eckstein D24/130
D787,663 S * 5/2017 Schlueter D24/112
2015/0112278 A1 * 4/2015 Ray A61M 25/065
604/240

* cited by examiner

Primary Examiner — David G Muller

(74) *Attorney, Agent, or Firm* — Saidman DesignLaw Group, LLC

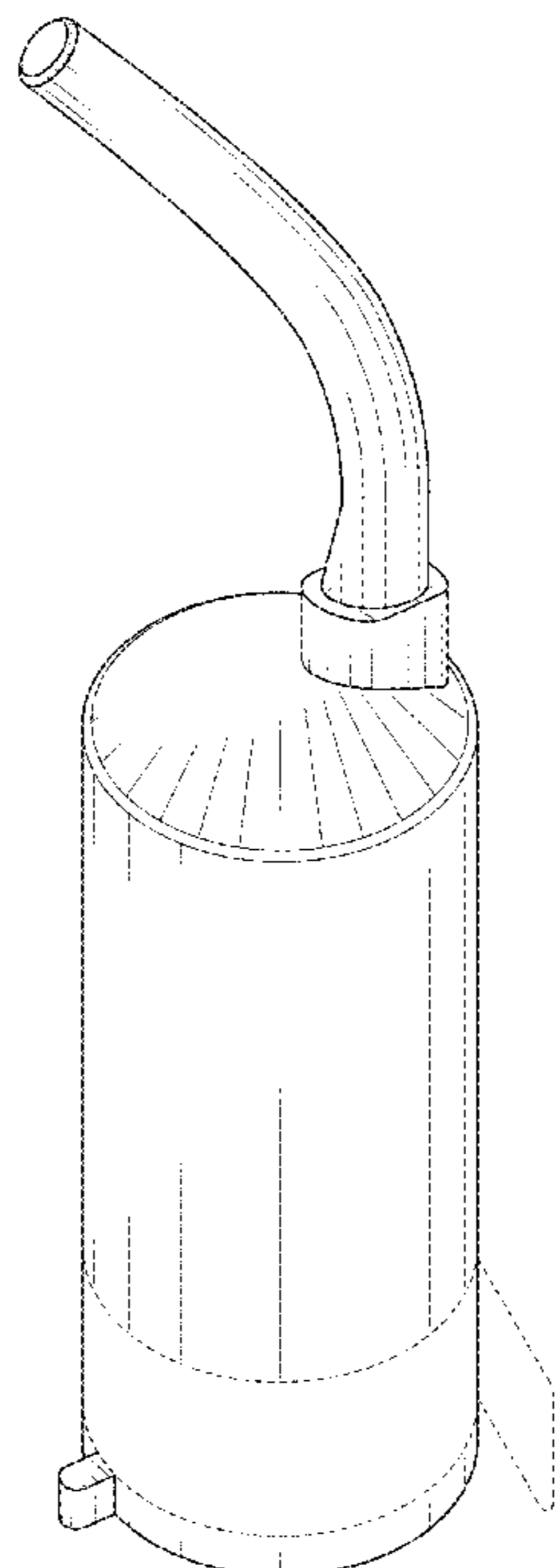
(57) **CLAIM**

The ornamental design for a cartridge for skin treatment device, as shown and described.

DESCRIPTION

FIG. 1 is a front, perspective view of a cartridge for skin treatment device showing our new design;
FIG. 2 is a front view thereof;
FIG. 3 is a rear view thereof;
FIG. 4 is a left side view thereof;
FIG. 5 is a right side view thereof;
FIG. 6 is a top view thereof;
FIG. 7 is a bottom view thereof; and,
FIG. 8 is an exploded, perspective view thereof, together with an unclaimed nozzle cap.
The broken lines illustrate structure or features which form no part of the claimed design.
The drawings include surface shading which illustrates contour and not surface ornamentation.

1 Claim, 5 Drawing Sheets



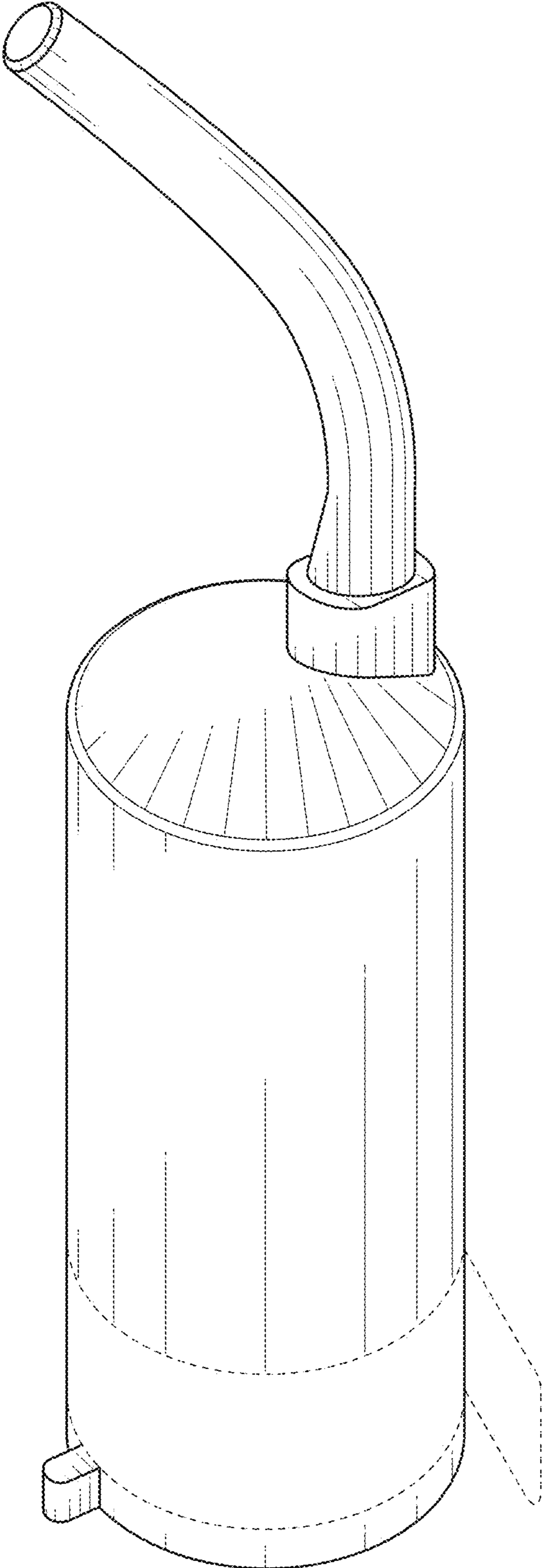


FIG. 1

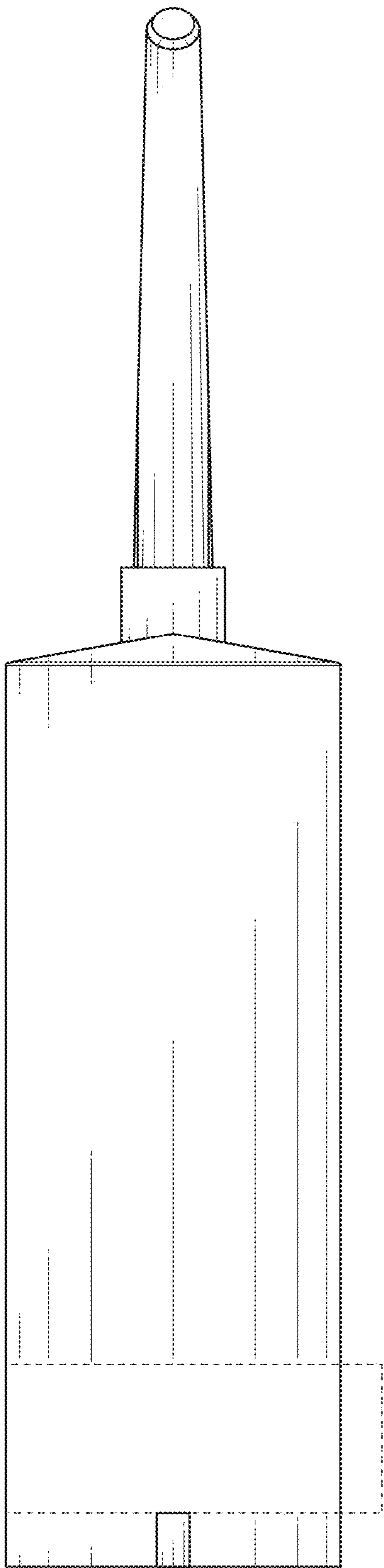


FIG. 2

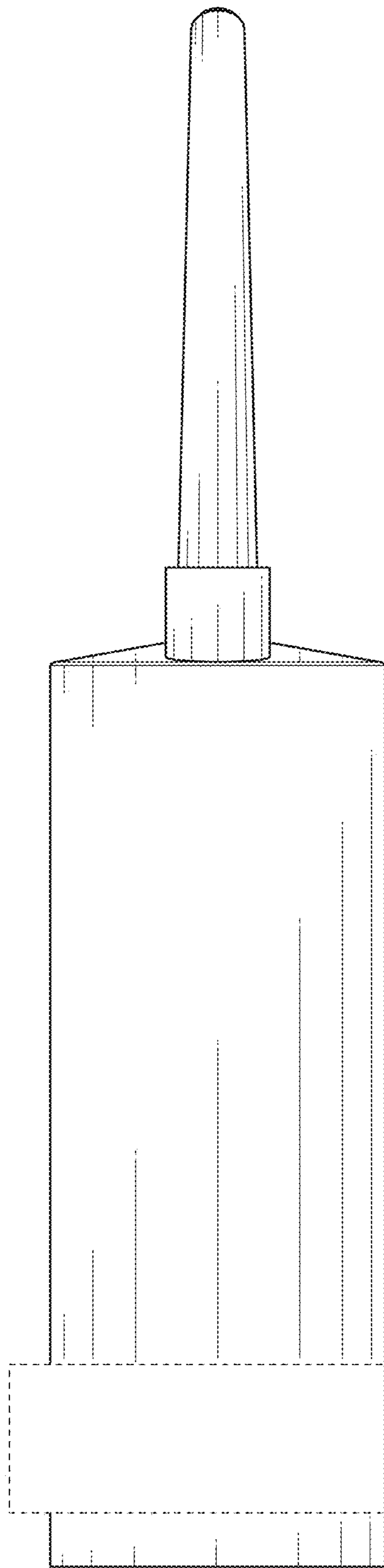


FIG. 3

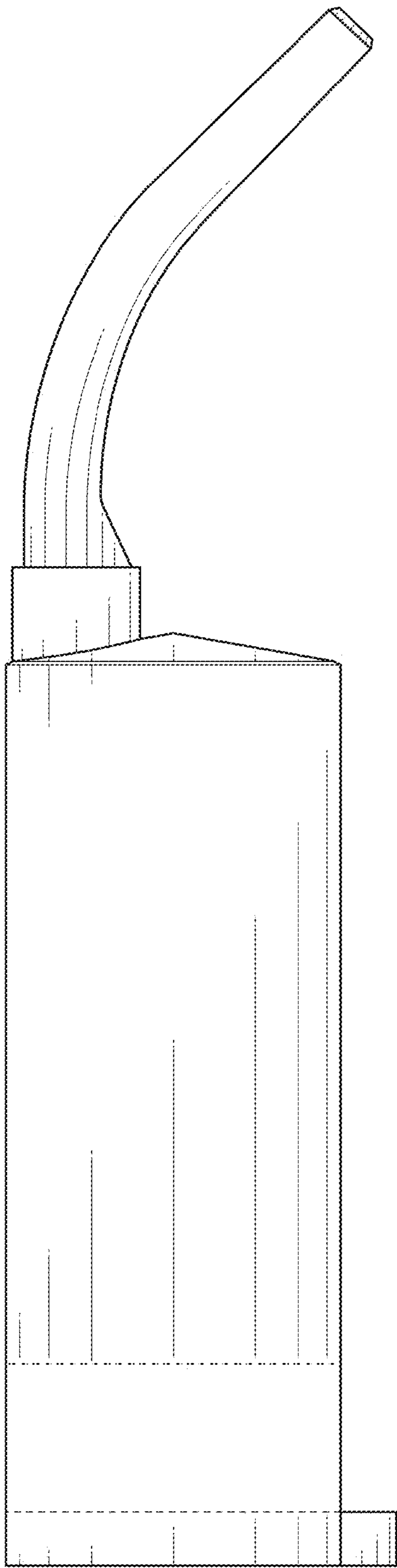


FIG. 4

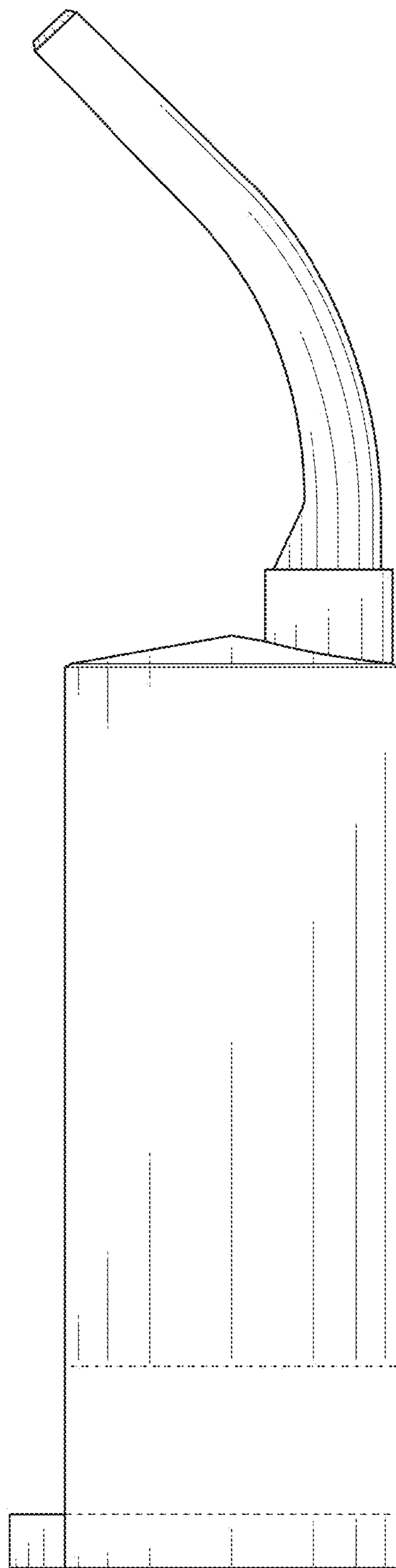


FIG. 5

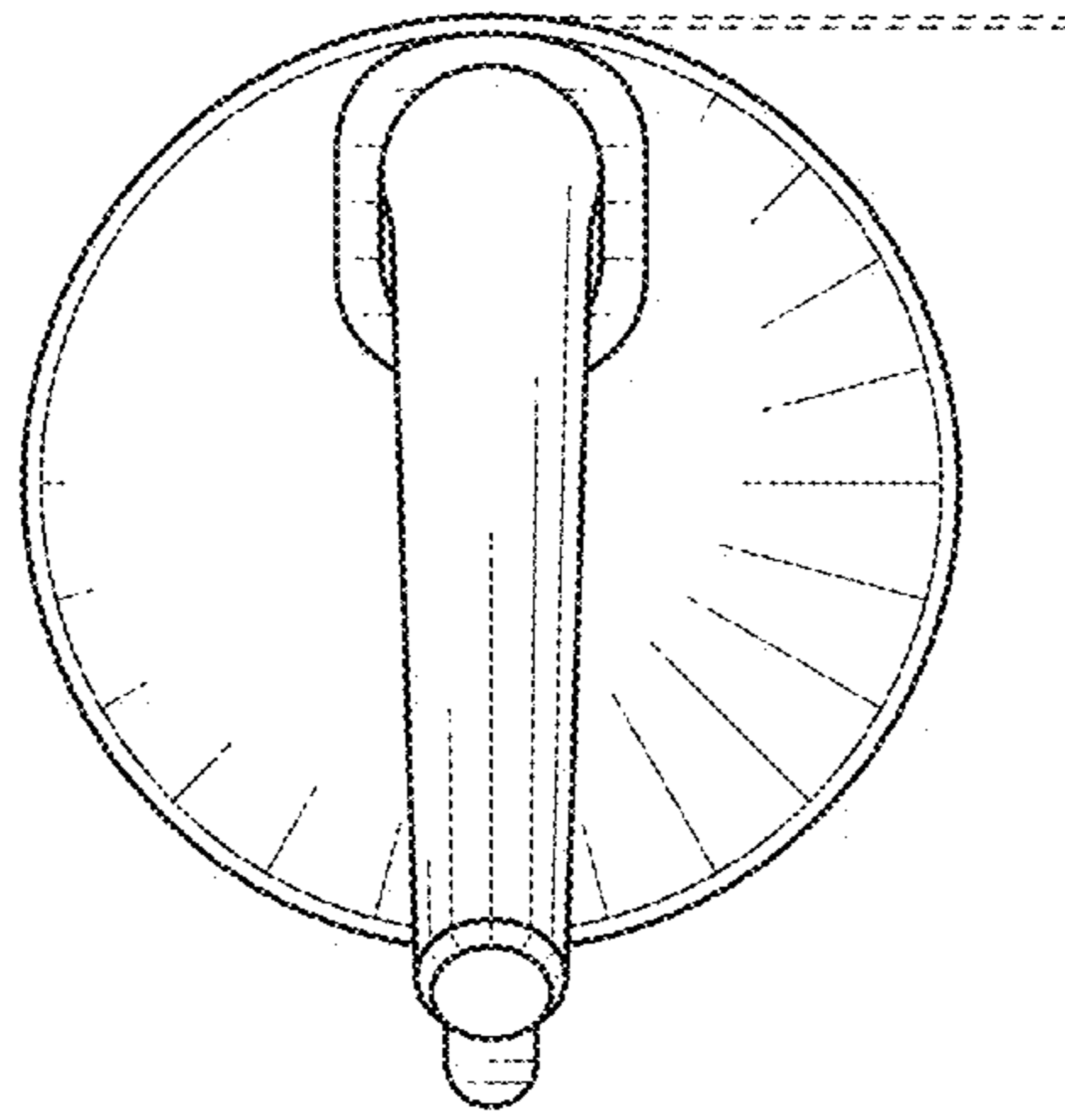


FIG. 6

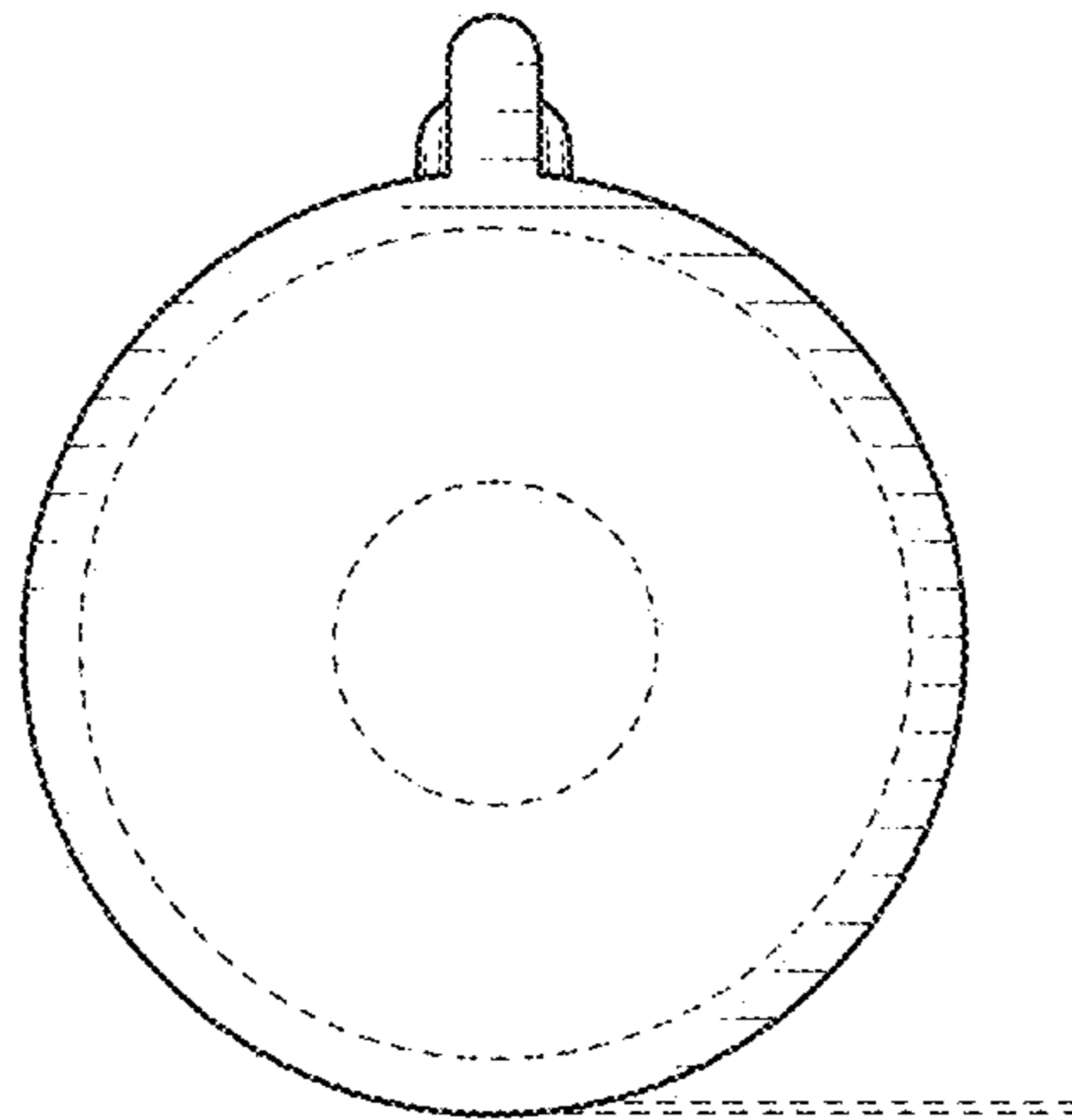


FIG. 7

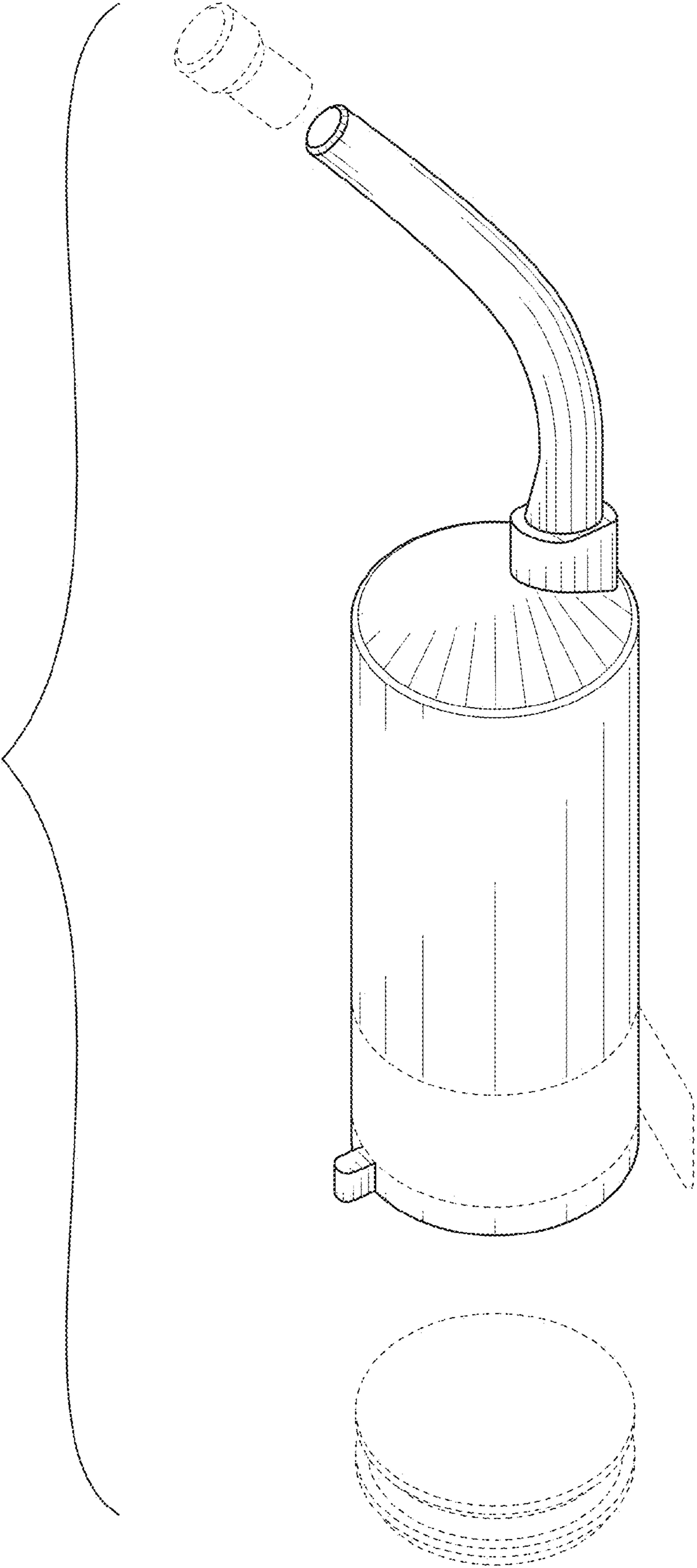


FIG. 8