



US00D875243S

(12) **United States Design Patent** (10) **Patent No.:** **US D875,243 S**
Dantanarayana et al. (45) **Date of Patent:** **** Feb. 11, 2020**

(54) **VENT UNIT FOR RESPIRATORY MASK**

(71) Applicant: **ResMed Pty Ltd**, Bella Vista, New South Wales (AU)

(72) Inventors: **Muditha Pradeep Dantanarayana**, Sydney (AU); **Charles Harry Finch**, Sydney (AU); **Chia Ik Tan**, Sydney (AU); **Stewart Joseph Wagner**, Hawkesbury (AU)

(73) Assignee: **ResMed Pty Ltd**, Bella Vista (AU)

(**) Term: **15 Years**

(21) Appl. No.: **29/666,287**

(22) Filed: **Oct. 11, 2018**

Related U.S. Application Data

(62) Division of application No. 29/585,937, filed on Nov. 30, 2016.

(51) **LOC (12) Cl.** **29-04**

(52) **U.S. Cl.**
USPC **D24/110.4**

(58) **Field of Classification Search**
USPC D24/110-110.6, 127, 129; D29/110
CPC A61M 16/0616; A61M 16/0633; A61M 16/06; A61M 16/0666; A61M 16/0683; A61M 16/0605; A61M 16/0622; A61M 16/0644; A61M 16/0875; A61M 16/0816; A61M 16/08; B63C 11/205; B63C 11/16; B63C 11/186; B63C 11/12
See application file for complete search history.

(56) **References Cited**

U.S. PATENT DOCUMENTS

D600,343 S *	9/2009	Degabriele	D24/110.1
D612,481 S *	3/2010	Reid	D24/110.1
D637,283 S *	5/2011	Selvarajan	D24/110.1
D645,961 S	9/2011	Biener		

D652,913 S *	1/2012	Selvarajan	D24/110.1
8,397,727 B2	3/2013	Ng		
D681,191 S *	4/2013	Shick	D24/110.1
D689,602 S	9/2013	Amirav		
D691,713 S	10/2013	Fahy		
D692,121 S	10/2013	Fahy		
8,573,201 B2 *	11/2013	Rummery	A61M 16/06 128/200.24
D714,434 S	9/2014	Fahy		
D785,161 S *	4/2017	Dravitzki	D24/110.4
D790,054 S *	6/2017	Prentice	D24/110
9,821,134 B2	11/2017	Drew		
D808,008 S	1/2018	Burnham		

(Continued)

OTHER PUBLICATIONS

Dantanarayana et al., U.S. Appl. No. 29/585,937, filed Nov. 30, 2016, for "Air Delivery Adapter for Respiratory Mask and/or Components Thereof," (parent application).

Primary Examiner — Sheryl Lane

Assistant Examiner — Aula Soroush

(74) *Attorney, Agent, or Firm* — Nixon & Vanderhye P.C.

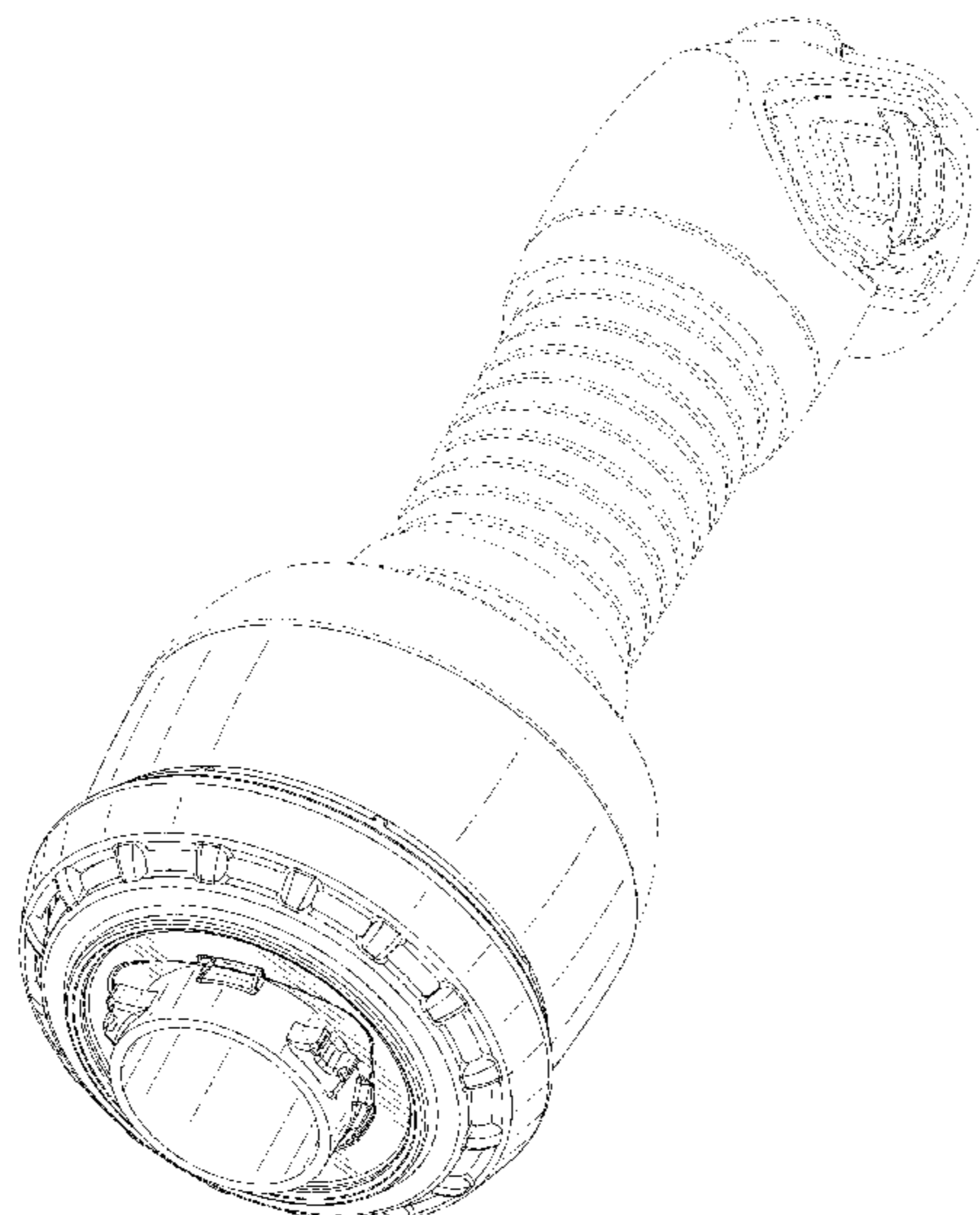
(57) **CLAIM**

The ornamental design for a vent unit for respiratory mask, as shown and described.

DESCRIPTION

FIG. 1 is a front perspective view of a vent unit for respiratory mask showing our new design;
 FIG. 2 is a front view thereof;
 FIG. 3 is a rear view thereof;
 FIG. 4 is a top view thereof;
 FIG. 5 is a bottom view thereof;
 FIG. 6 is a left side view thereof;
 FIG. 7 is a right side view thereof; and,
 FIG. 8 is a rear perspective view thereof.
 The broken lines represent environmental structure and do not form part of the claimed design.

1 Claim, 8 Drawing Sheets



(56)

References Cited

U.S. PATENT DOCUMENTS

2002/0023650	A1 *	2/2002	Gunaratnam	A61M 16/06 128/205.25
2003/0196662	A1	10/2003	Ging	
2004/0221850	A1	11/2004	Ging	
2013/0324788	A1	12/2013	Holley	
2018/0001047	A1	1/2018	McAuley	

* cited by examiner

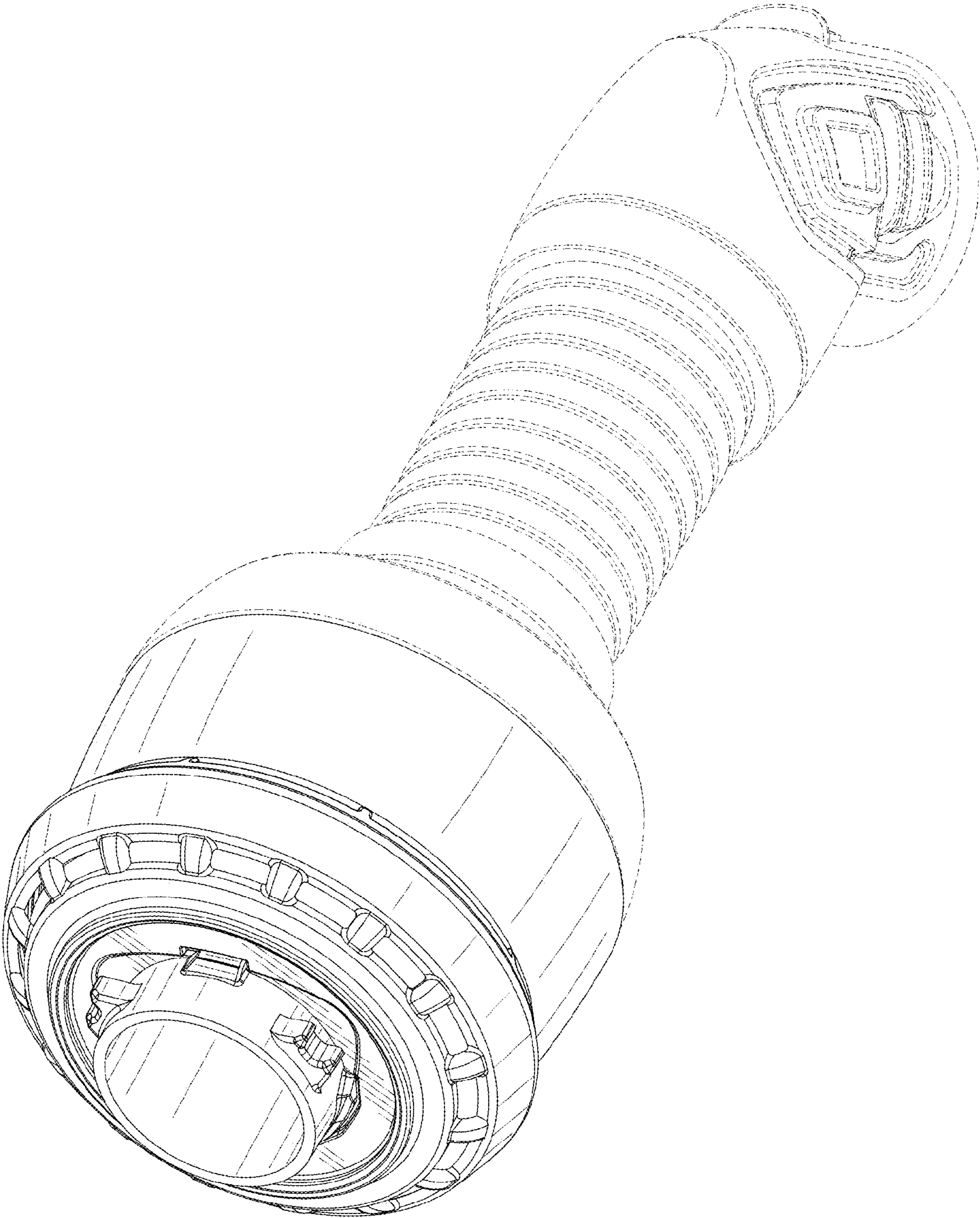


FIG. 1

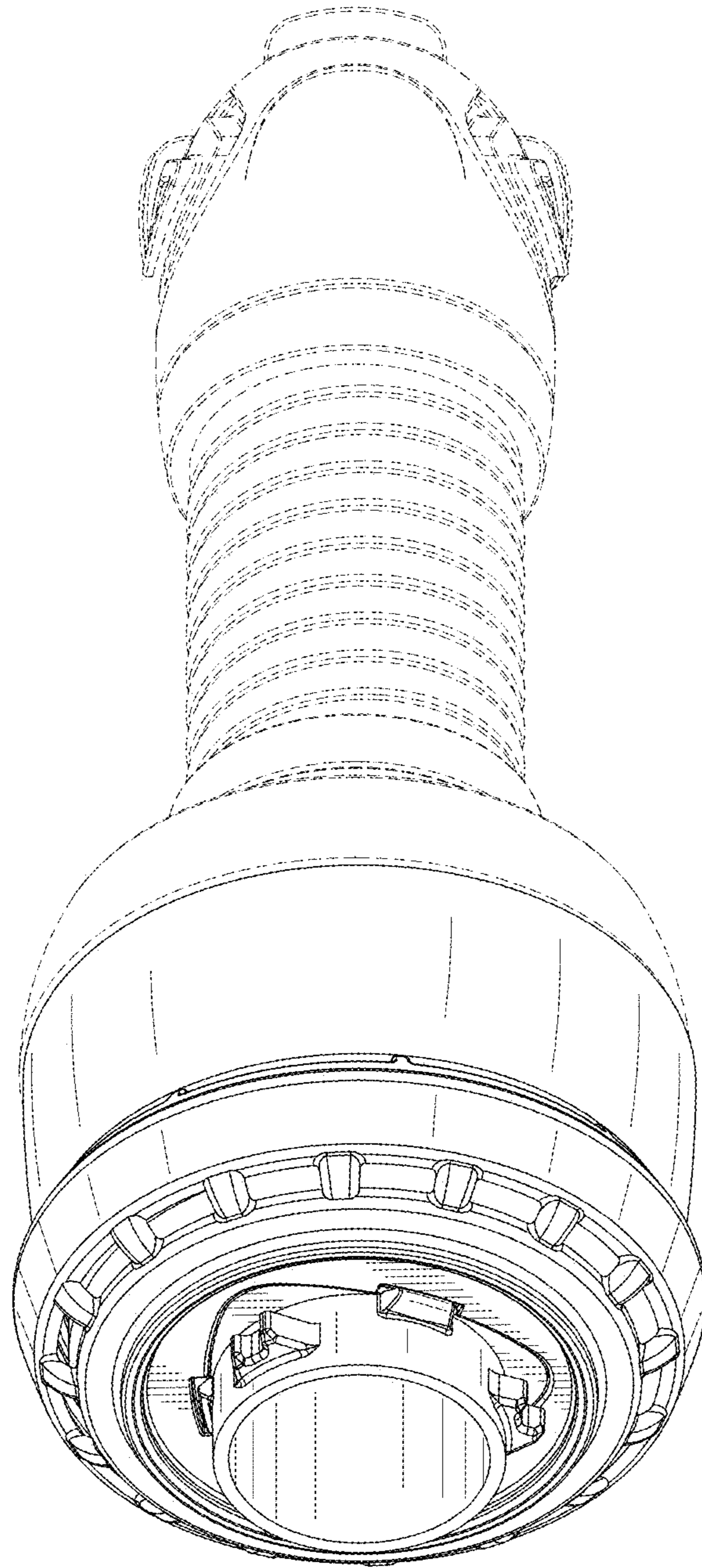


FIG. 2

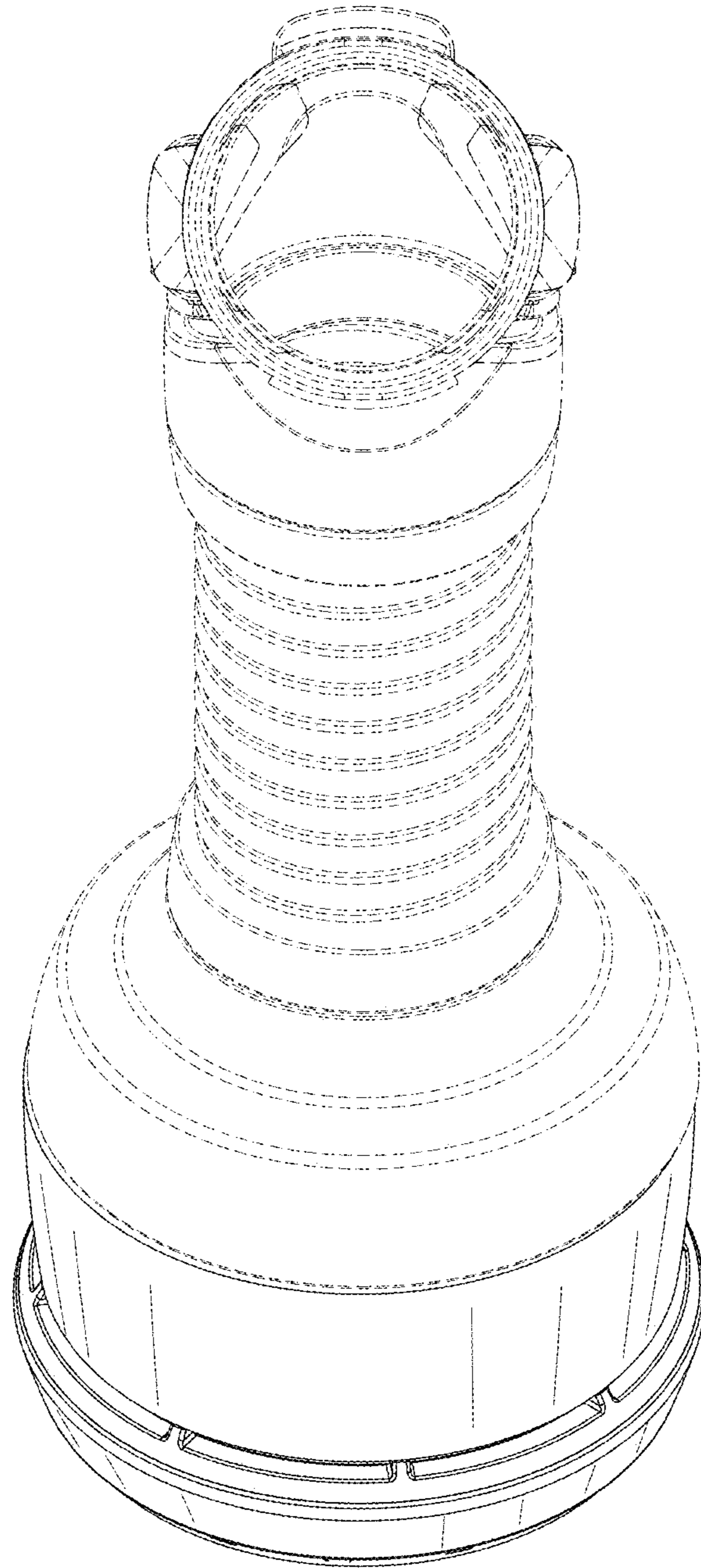


FIG. 3

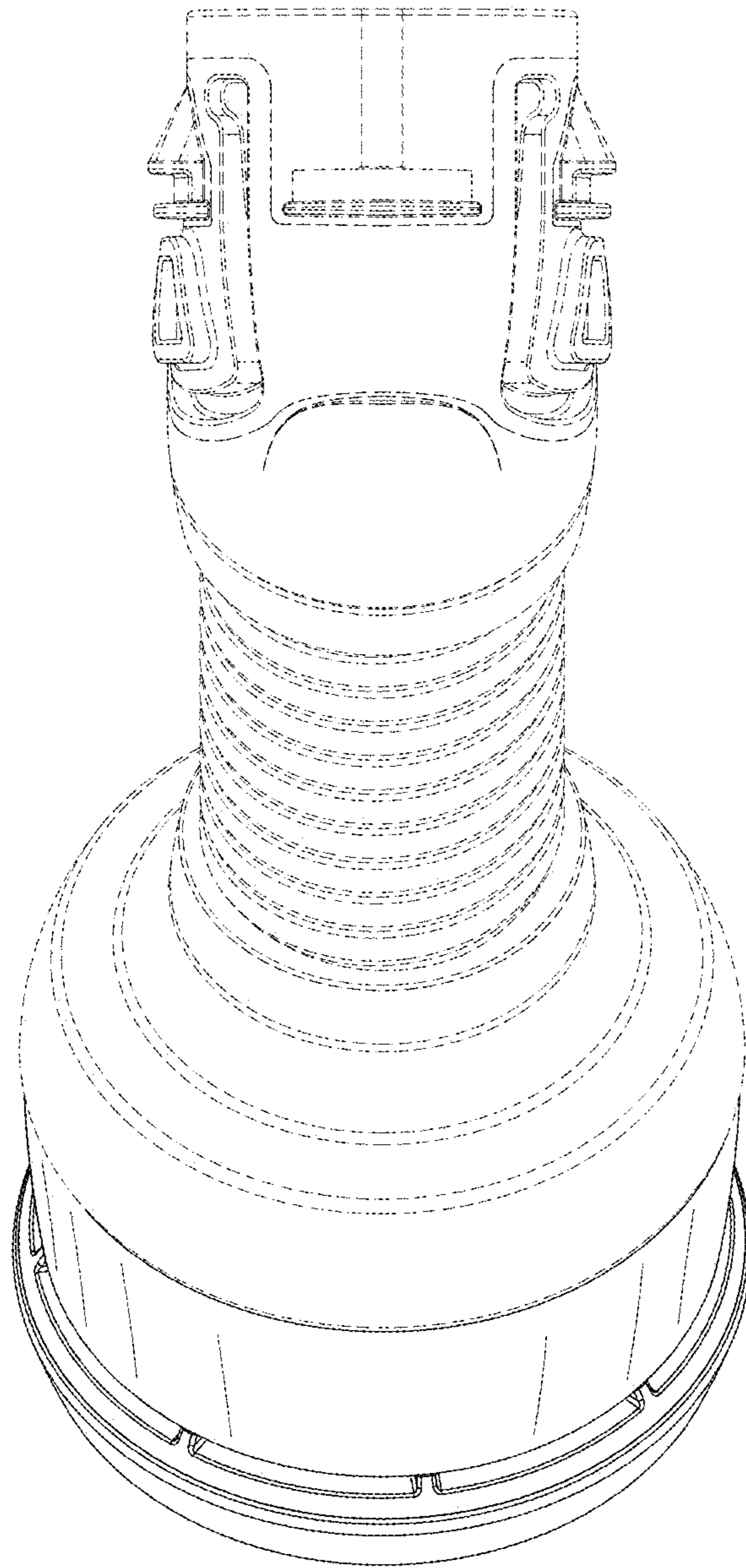


FIG. 4

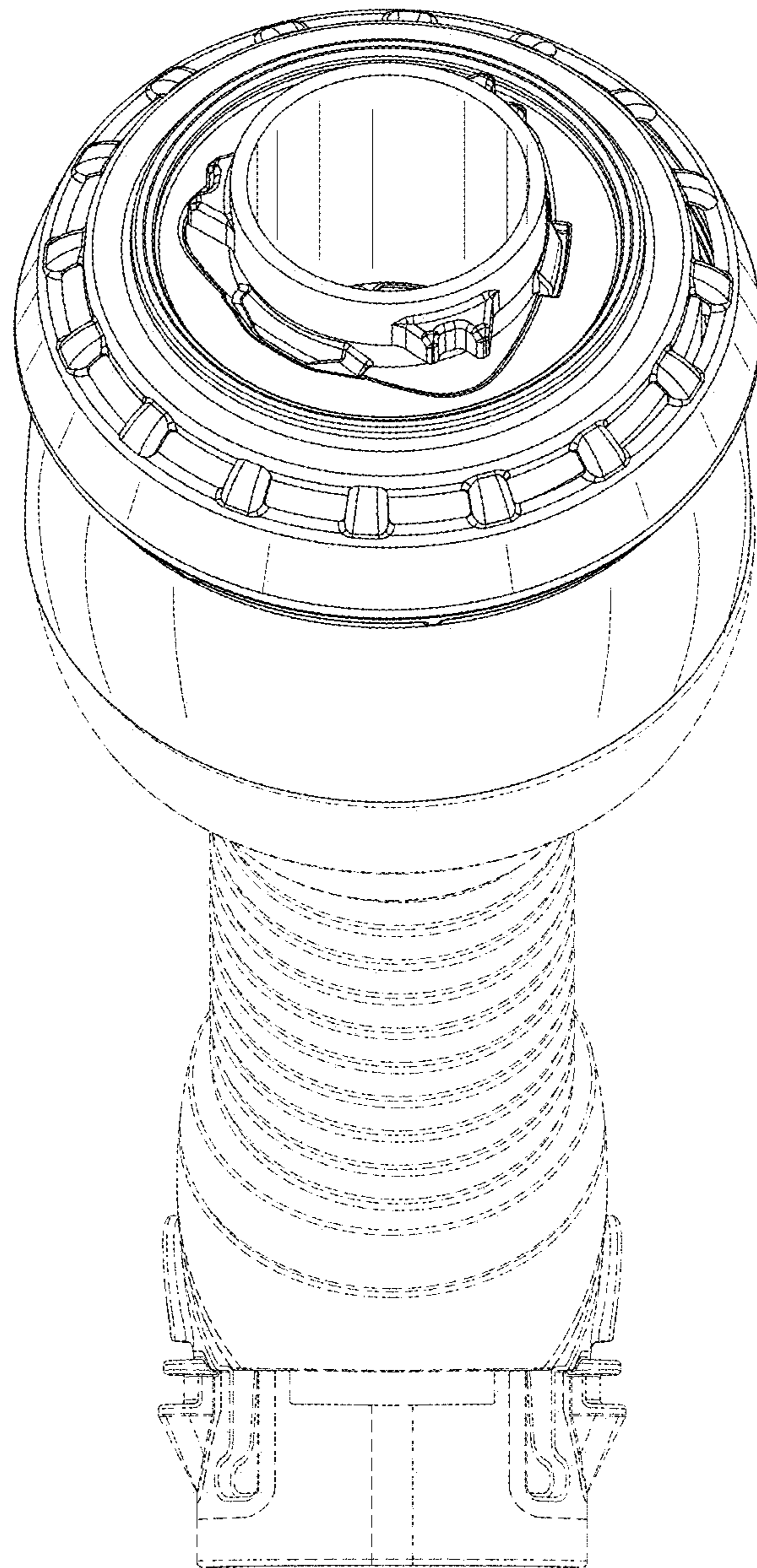


FIG. 5

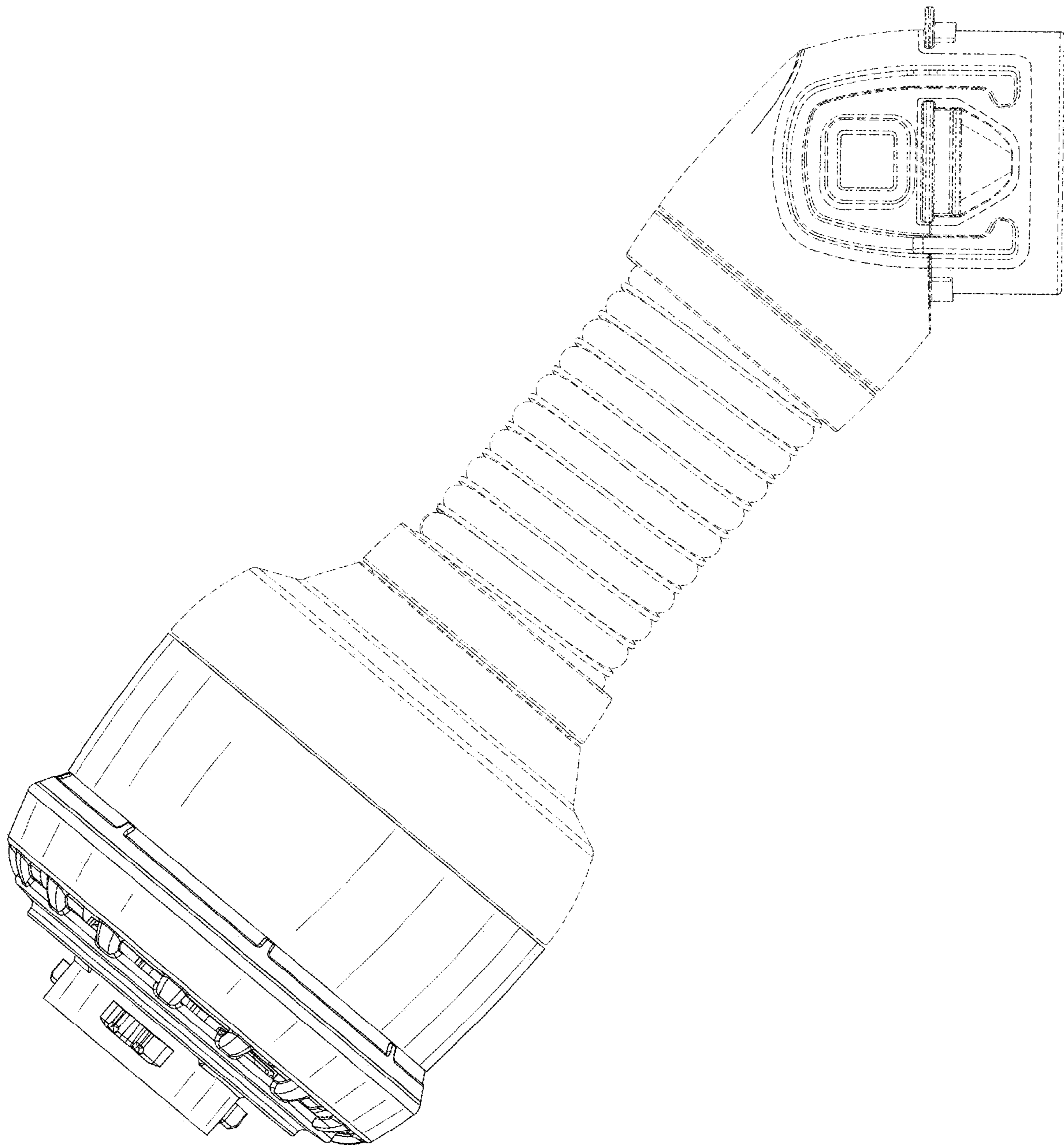


FIG. 6

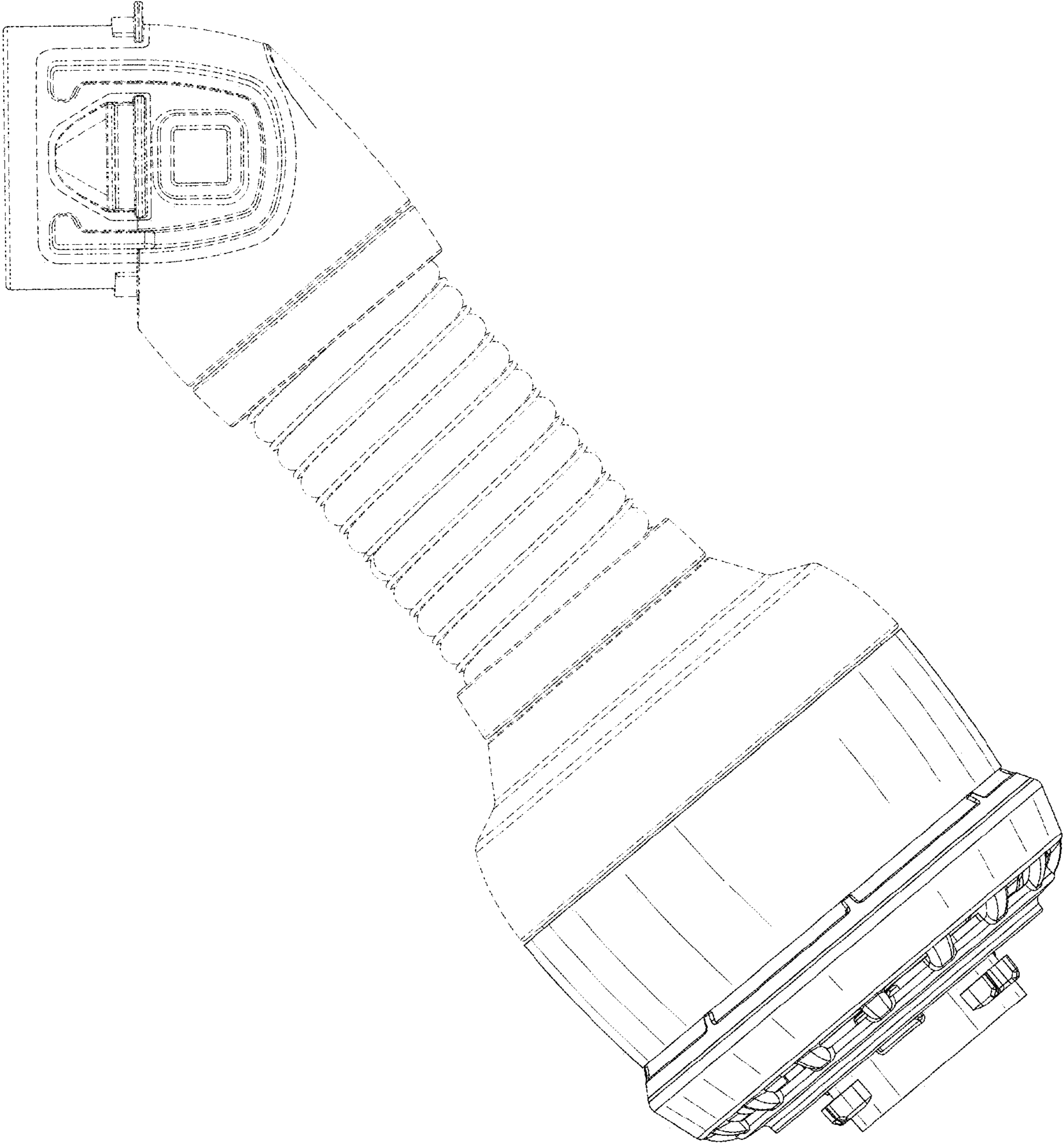


FIG. 7

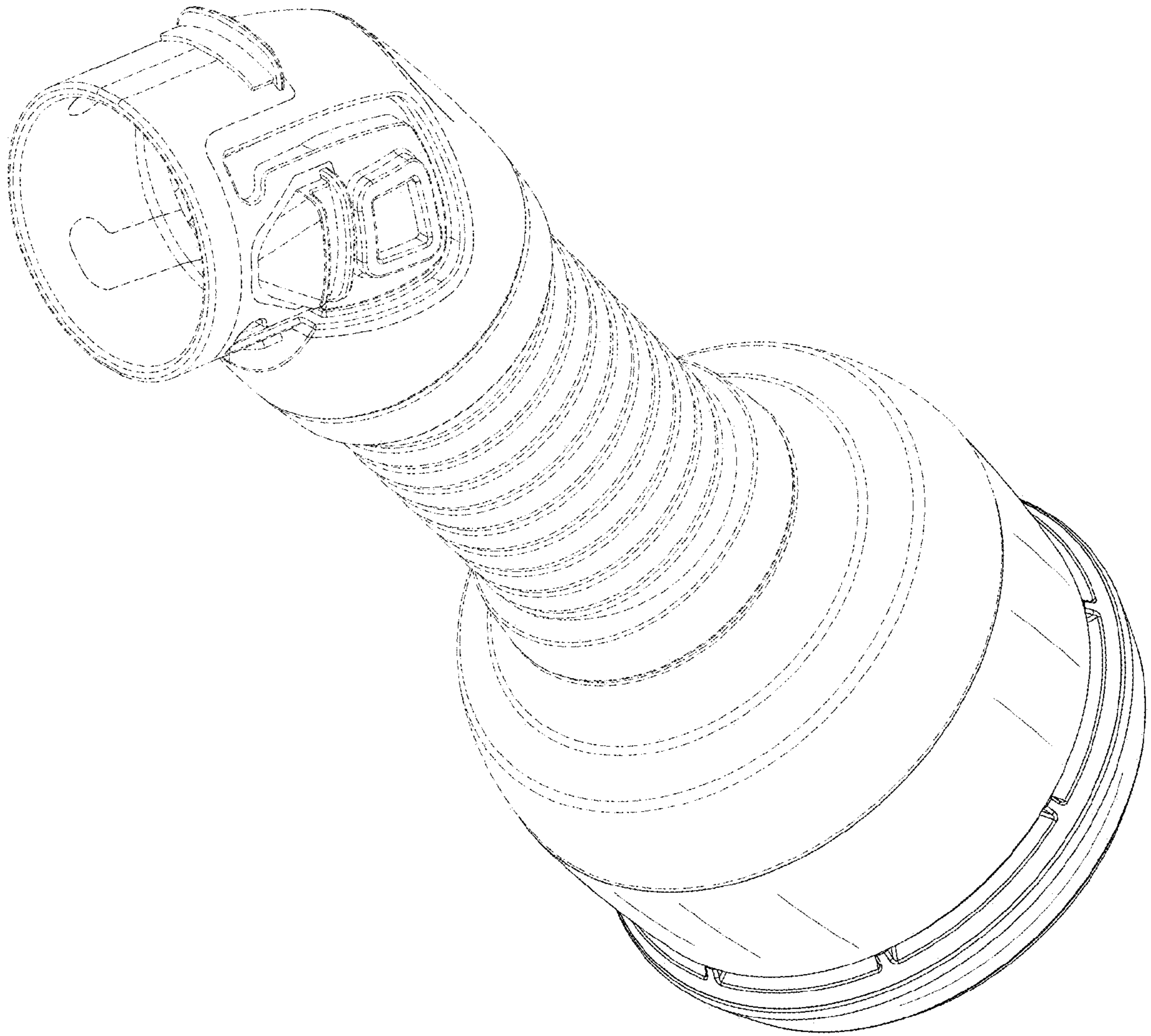


FIG. 8