



US00D875240S

(12) **United States Design Patent** (10) **Patent No.:** **US D875,240 S**
Baldus (45) **Date of Patent:** **** Feb. 11, 2020**

- (54) **ANESTHESIA MASK**
- (71) Applicant: **Baldus Medizintechnik GmbH**, Urbar (DE)
- (72) Inventor: **Fabian Baldus**, Urbar (DE)
- (73) Assignee: **Baldus Medizintechnik GmbH**, Urbar (DE)
- (**) Term: **15 Years**
- (21) Appl. No.: **29/662,100**
- (22) Filed: **Aug. 31, 2018**

Related U.S. Application Data

- (62) Division of application No. 29/584,539, filed on Nov. 15, 2016.

Foreign Application Priority Data

- Sep. 16, 2016 (EM) 003382704-0001
- Sep. 16, 2016 (EM) 003382704-0002
- Sep. 16, 2016 (EM) 003382704-0003
- Sep. 16, 2016 (EM) 003382704-0004

- (51) **LOC (12) Cl.** **29-02**
- (52) **U.S. Cl.**
USPC **D24/110.1**

- (58) **Field of Classification Search**
USPC D24/110-110.6, 127, 129; D29/110
CPC A61M 16/0616; A61M 16/0633; A61M 16/06; A61M 16/0666; A61M 16/0683; A61M 16/0605; A61M 16/0622; A61M 16/0644; A61M 16/0875; A61M 16/0816; A61M 16/08; B63C 11/205; B63C 11/16; B63C 11/186; B63C 11/12

See application file for complete search history.

(56) **References Cited**

U.S. PATENT DOCUMENTS

5,018,519 A * 5/1991 Brown A61M 16/06
128/203.29
D321,570 S * 11/1991 Blasdel D24/110.4
5,109,839 A * 5/1992 Blasdel A61M 16/06
128/203.12
D398,987 S * 9/1998 Cotner D24/110.4
D412,745 S 8/1999 Scheu

(Continued)

OTHER PUBLICATIONS

Baldus Medizintechnik, posted at filtershop-online.de, earliest date posted unknown, [online], acquired on Oct. 16, 2018. Available from Internet, <URL: http://www.filtershop-online.de/roedix-shop_18-masken_autoklavierbar-98-4.html> (Year: 2018).*

Primary Examiner — Sheryl Lane

Assistant Examiner — Aula Soroush

(74) *Attorney, Agent, or Firm* — Lowe Graham Jones PLLC

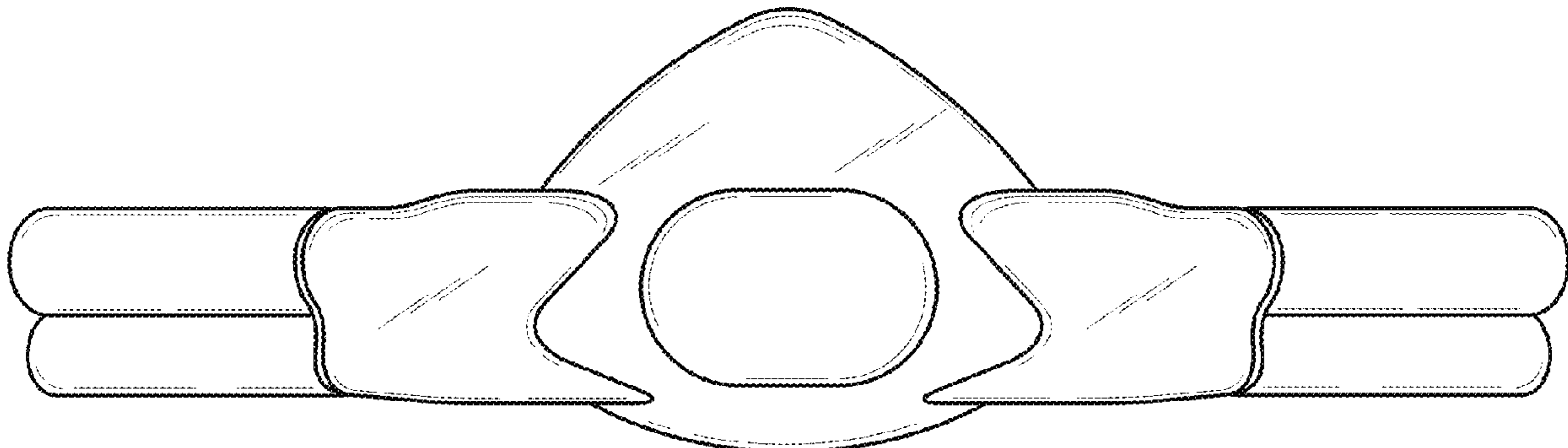
(57) **CLAIM**

The ornamental design for an anesthesia mask, as shown and described.

DESCRIPTION

FIG. 1 is a front view of the anesthesia mask.
 FIG. 2 is a back view of the anesthesia mask.
 FIG. 3 is a top view of the anesthesia mask.
 FIG. 4 is a bottom view of the anesthesia mask.
 FIG. 5 is a front perspective view of the anesthesia mask; the text does not form part of the design.
 FIG. 6 is a top perspective view of the anesthesia mask; the text does not form part of the design; and,
 FIG. 7 is a left perspective view of the anesthesia mask.
 FIGS. 1-7 illustrate a transparent anesthesia mask, showing my new design.
 The surface shading is for purposes of illustrating the character and/or contour of the surfaces of the claimed invention and forms no part of the claimed design.

1 Claim, 7 Drawing Sheets



(56)

References Cited

U.S. PATENT DOCUMENTS

6,019,101 A * 2/2000 Cotner A61M 16/06
128/206.18
6,044,844 A * 4/2000 Kwok A61M 16/06
128/207.11
6,135,109 A * 10/2000 Blasdel A61M 16/06
128/206.21
6,736,140 B1 * 5/2004 Baczkowski A61M 16/009
128/205.27
D742,501 S 11/2015 Chen et al.
D742,502 S 11/2015 Chen et al.
D743,021 S 11/2015 Chen et al.
D745,139 S 12/2015 Chen et al.
D768,287 S 10/2016 Gusky et al.
2016/0287829 A1 10/2016 Whitehead et al.
2017/0259018 A1 * 9/2017 Blasdel A61M 16/208
2017/0361057 A1 * 12/2017 Blasdel A61M 16/06

* cited by examiner

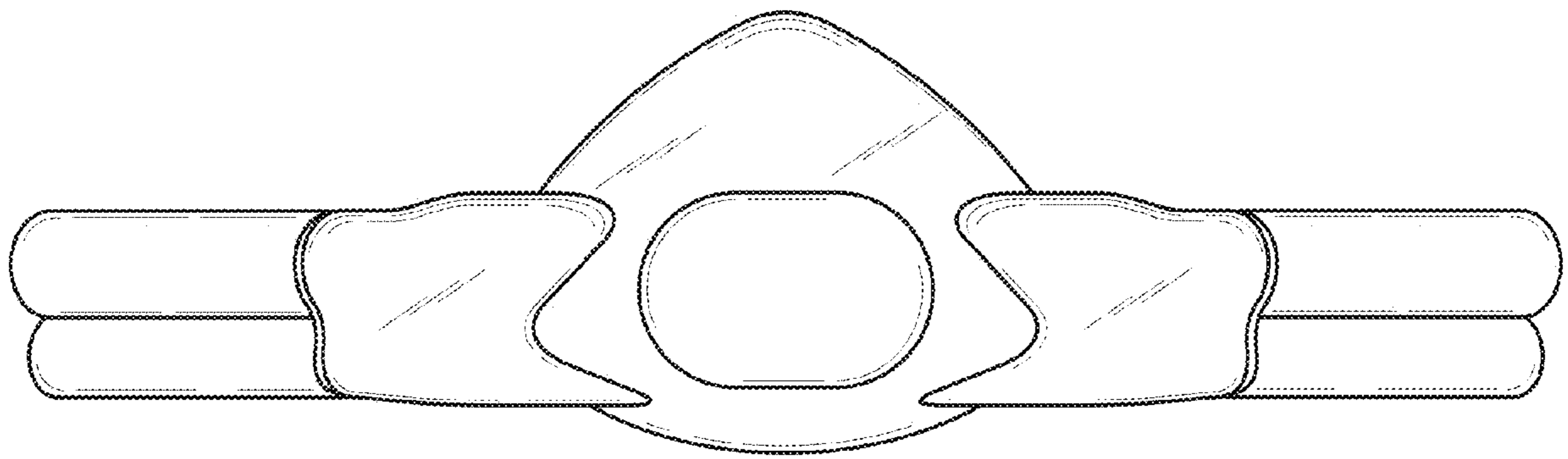


FIG. 1

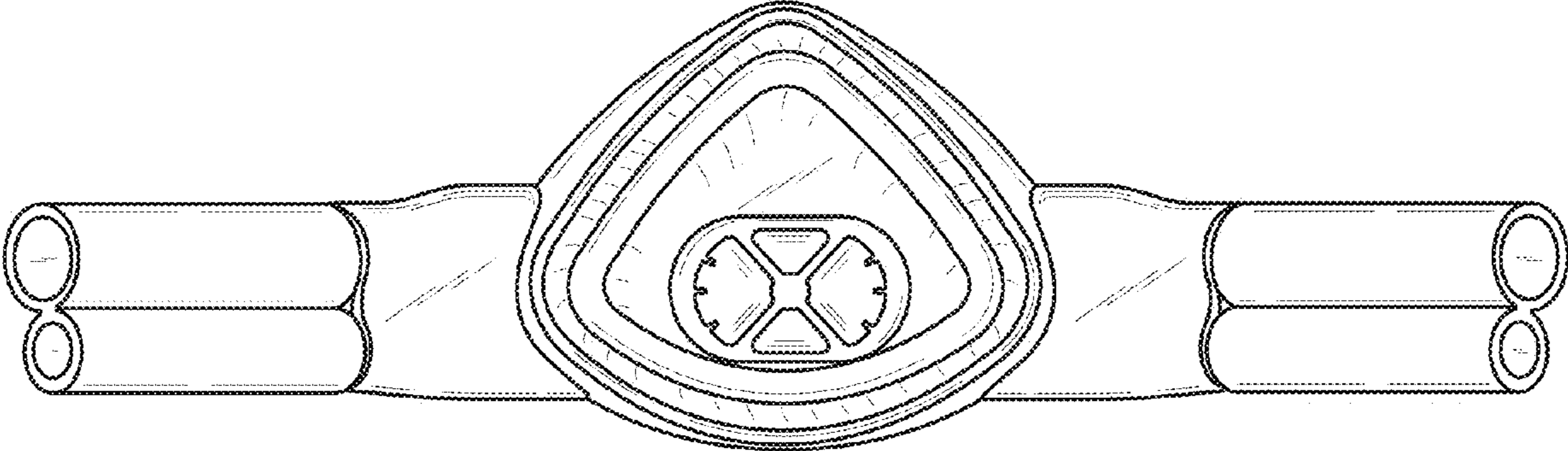


FIG. 2

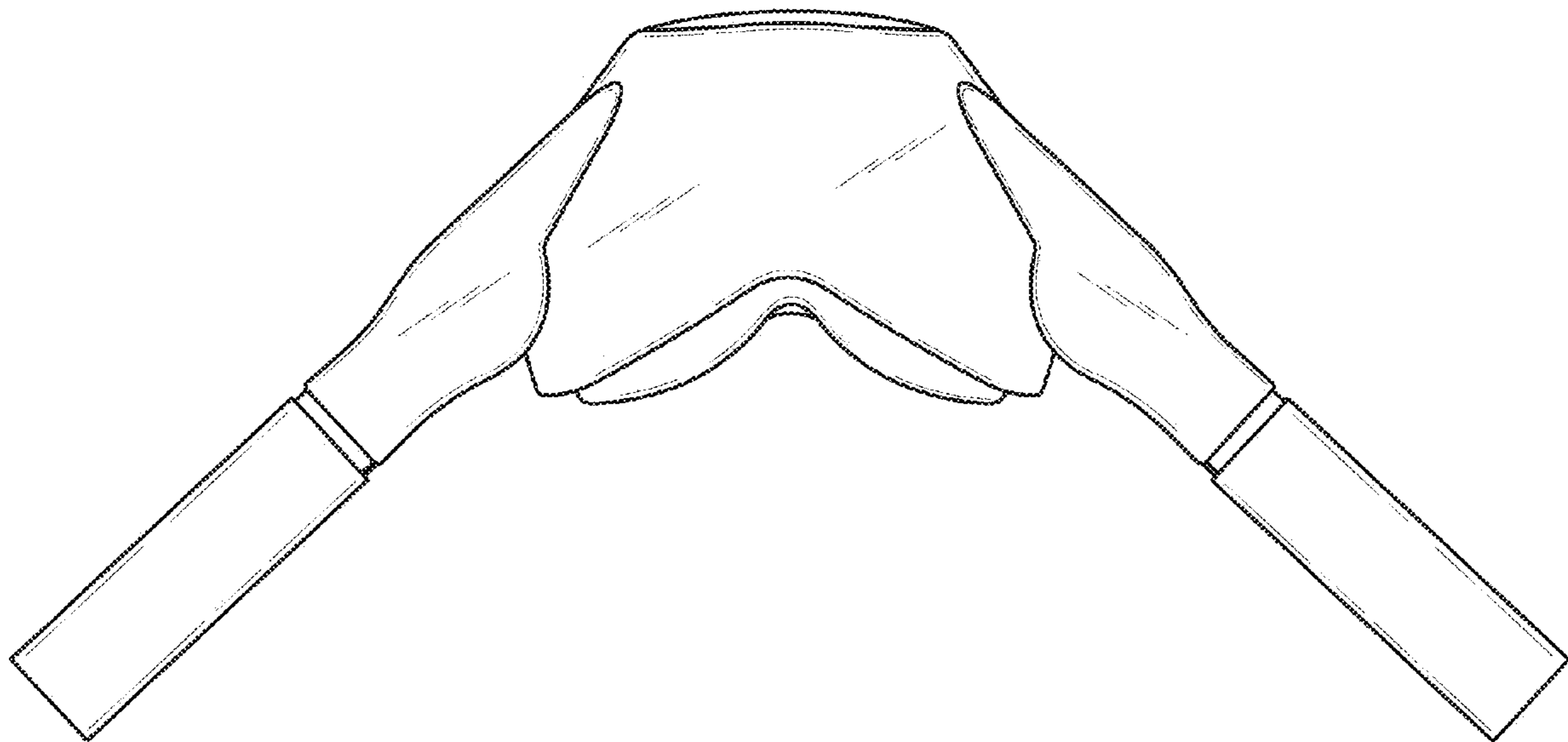


FIG. 3

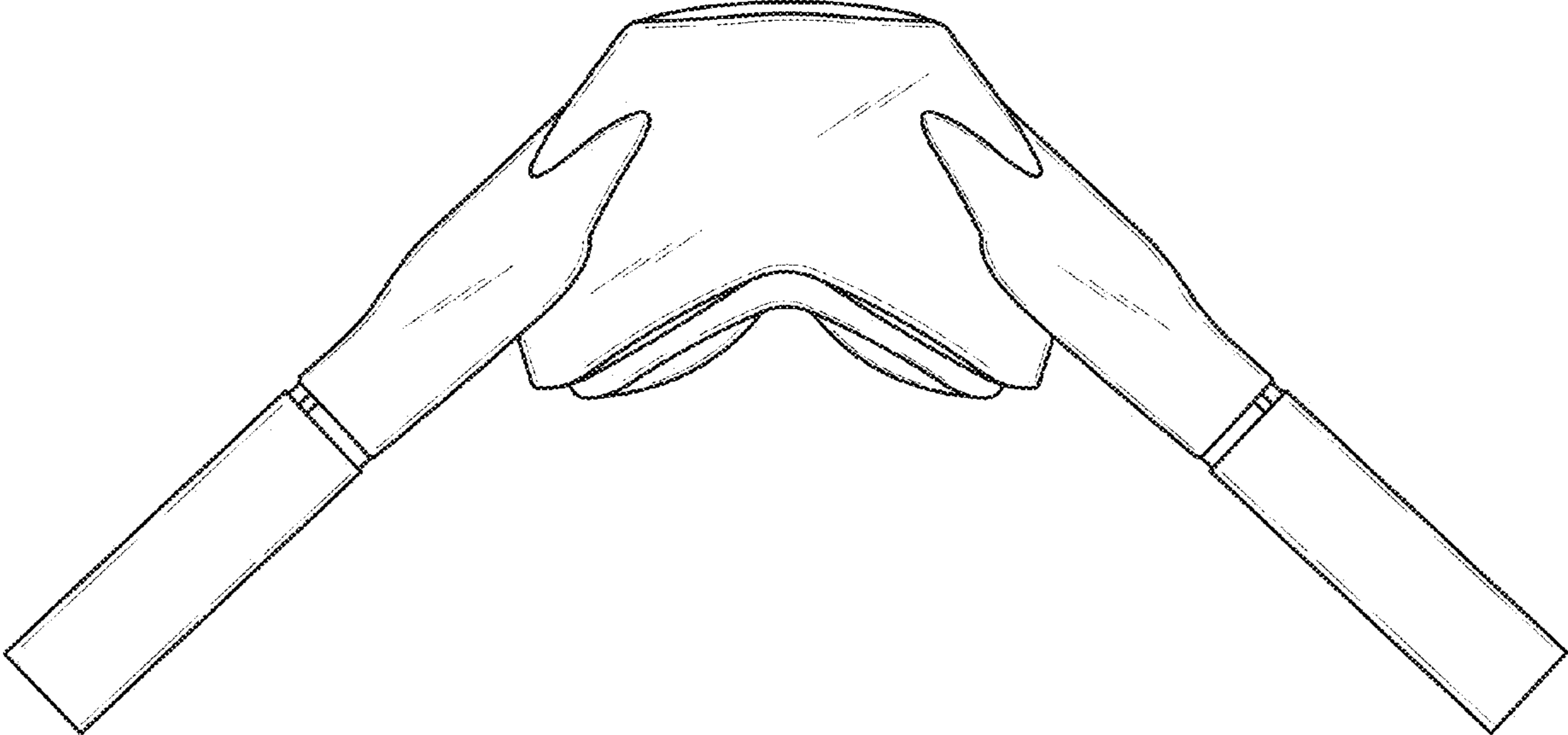


FIG. 4

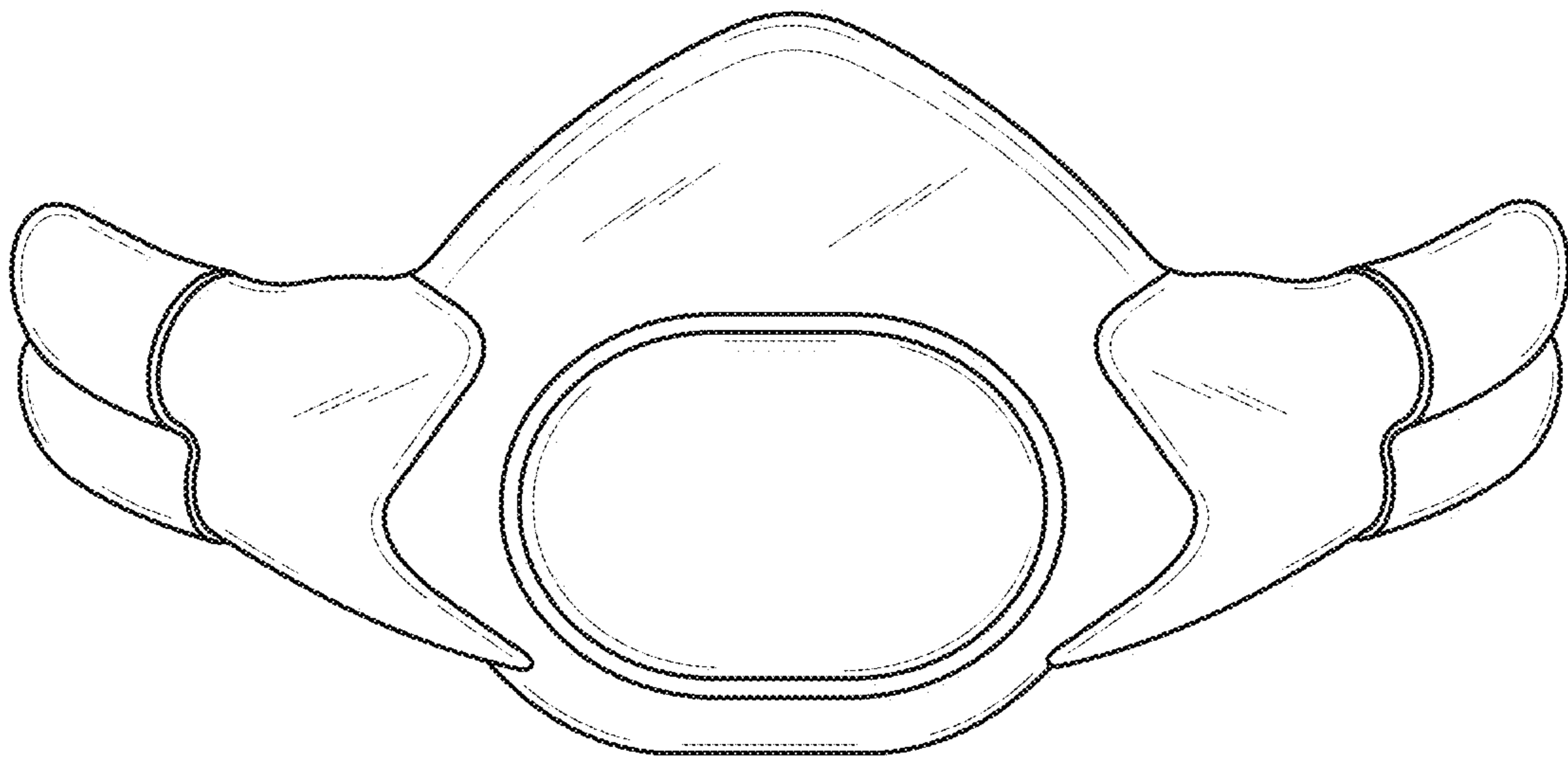


FIG. 5

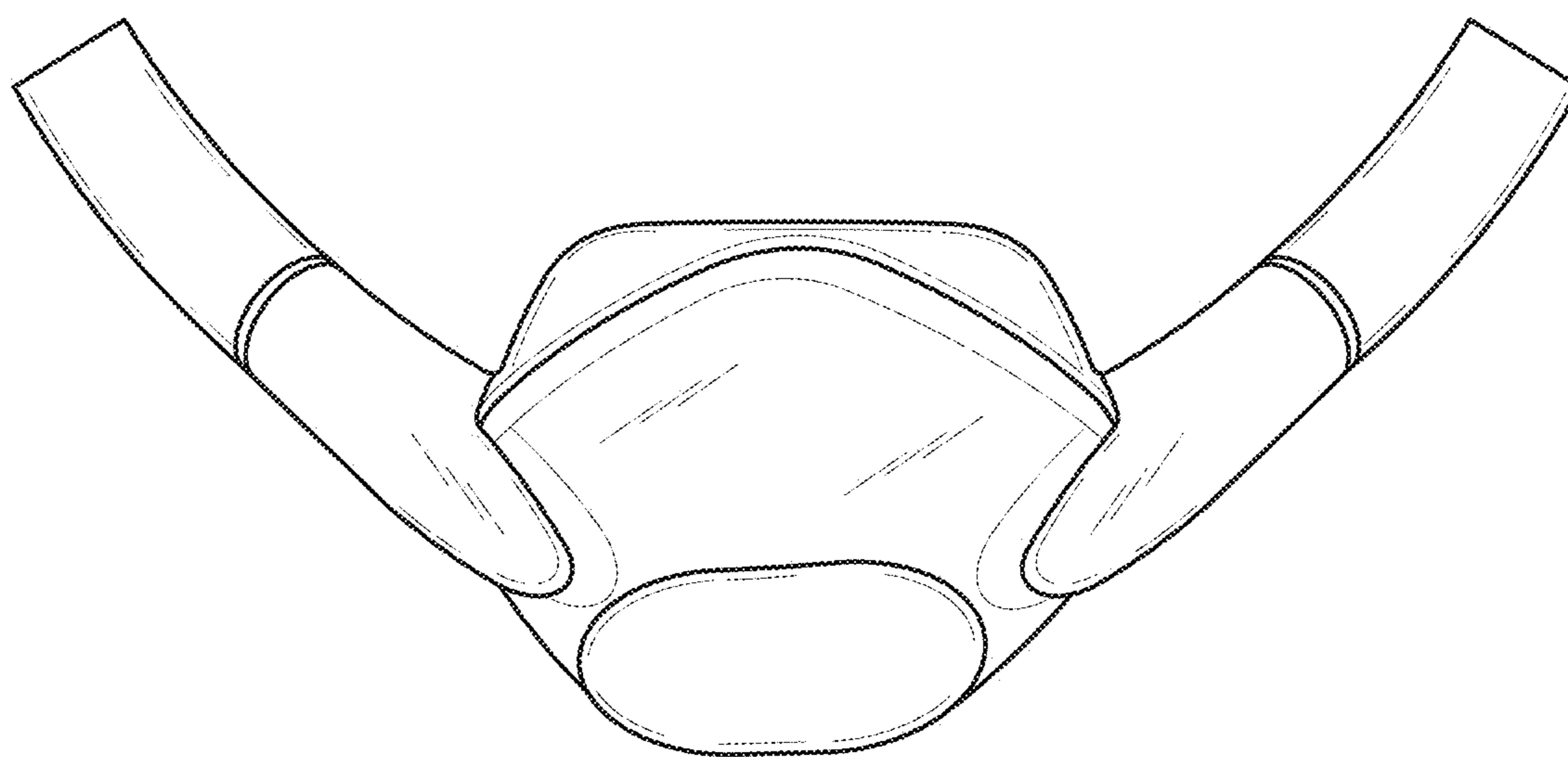


FIG. 6

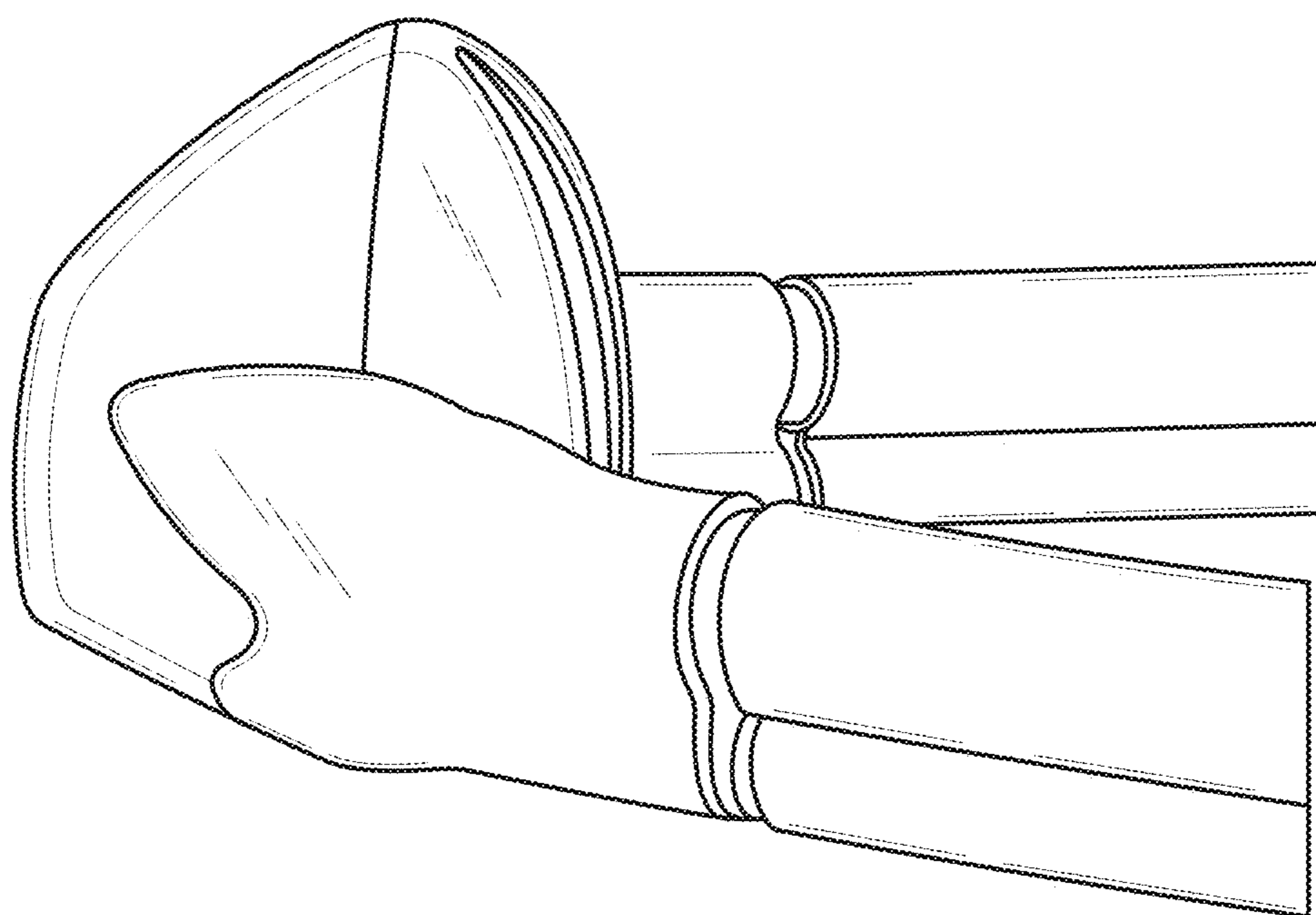


FIG. 7